



US00D837917S

(12) **United States Design Patent** (10) **Patent No.:** **US D837,917 S**
Becktor (45) **Date of Patent:** **** Jan. 8, 2019**

(54) **GOLF CLUB HEAD**

(71) Applicant: **DUNLOP SPORTS CO. LTD.,**
Kobe-shi, Hyogo (JP)

(72) Inventor: **Mika Becktor,** New York, NY (US)

(73) Assignee: **DUNLOP SPORTS CO. LTD.,**
Kobe-shi (JP)

(**) Term: **15 Years**

(21) Appl. No.: **29/606,988**

(22) Filed: **Jun. 9, 2017**

(51) **LOC (11) Cl.** **21-02**

(52) **U.S. Cl.**
USPC **D21/759**

(58) **Field of Classification Search**
USPC D21/736-746, 759
CPC A63B 53/00; A63B 53/04; A63B 53/007;
A63B 53/065; A63B 53/0487; A63B
60/00; A63B 60/46
See application file for complete search history.

(56) **References Cited**

U.S. PATENT DOCUMENTS

D228,930 S *	10/1973	Leigh	D21/742
D239,402 S *	3/1976	Kindred	D21/741
D291,343 S *	8/1987	Shearer	D21/744
D297,445 S *	8/1988	Shearer	D21/743
D297,446 S *	8/1988	Shearer	D21/743
D297,964 S *	10/1988	Shearer	D21/743
D313,449 S *	1/1991	Shearer	D21/743
D313,451 S *	1/1991	Shearer	D21/743
D322,650 S *	12/1991	Shearer	D21/743
D322,829 S *	12/1991	Antonious	D21/742
D325,950 S *	5/1992	Duran	D21/744
D329,890 S *	9/1992	Pinder	D21/742

D337,803 S *	7/1993	Sillers	D21/741
5,417,429 A *	5/1995	Strand	A63B 69/3685 473/251
D360,669 S *	7/1995	Buscemi	D21/743
D495,389 S *	8/2004	Pinder	D21/736
D532,066 S *	11/2006	Tang	D21/736
D603,007 S *	10/2009	Franklin	D21/736
D667,906 S *	9/2012	Butler	D21/743
D682,376 S *	5/2013	Oliveiro	D21/736
D733,817 S *	7/2015	Jorgensen	D21/736
D733,818 S *	7/2015	Jorgensen	D21/736
D763,373 S *	8/2016	Cardani	D21/736
D776,219 S *	1/2017	Sheldon	D21/759
D779,606 S *	2/2017	Becktor	D21/742
D780,275 S *	2/2017	Becktor	D21/759
D796,597 S *	9/2017	Serrano	D21/736

* cited by examiner

Primary Examiner — Mitchell I. Siegel
(74) *Attorney, Agent, or Firm* — Oliff PLC

(57) **CLAIM**

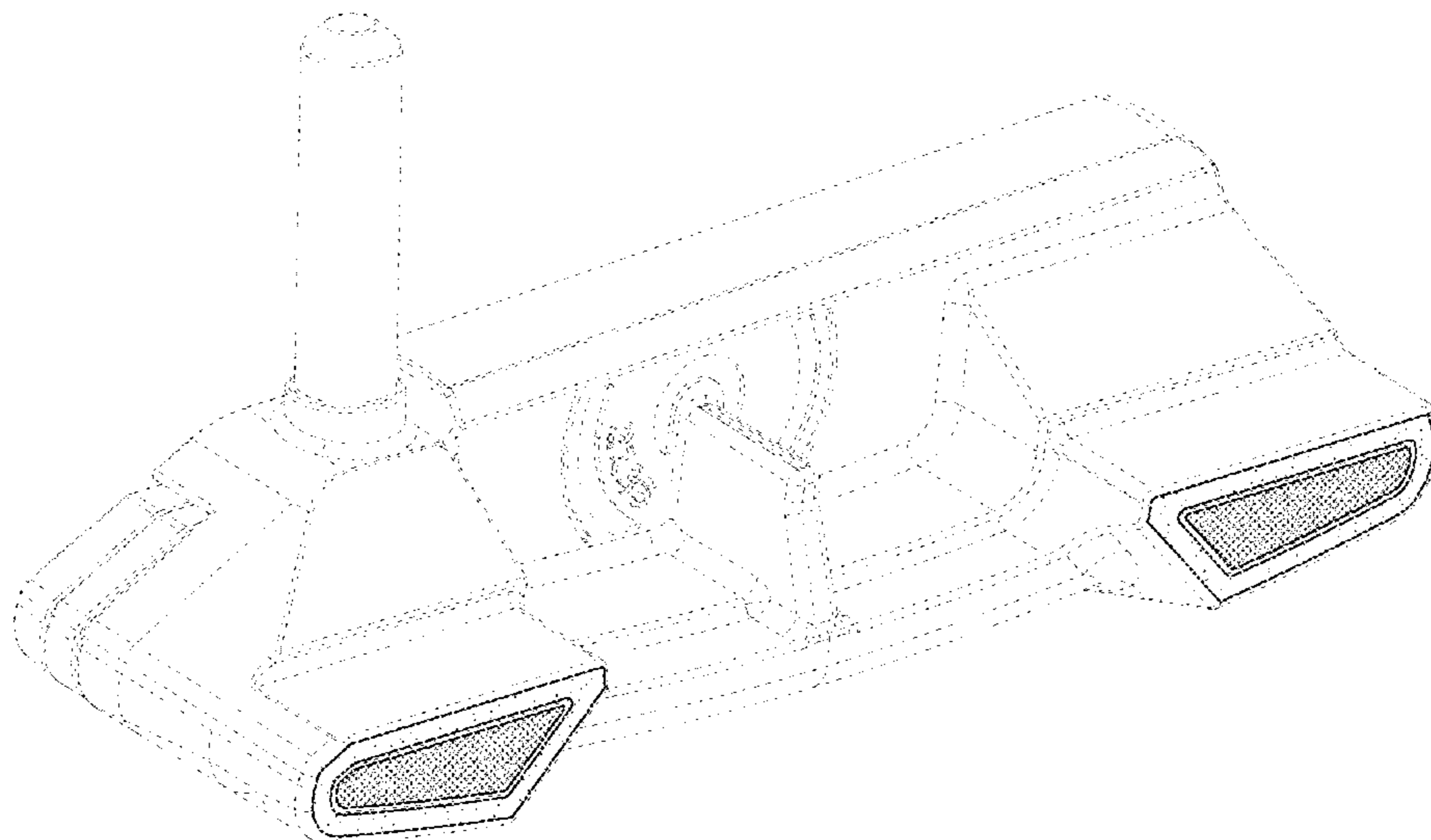
The ornamental design for a golf club head, as shown and described.

DESCRIPTION

FIG. 1 is a top, heel-side, rear perspective view of the golf club head;
FIG. 2 is a rear elevational view thereof;
FIG. 3 is a top plan view thereof;
FIG. 4 is a toe-side elevational view thereof;
FIG. 5 is a heel-side elevational view thereof; and,
FIG. 6 is a bottom plan view thereof.

The broken lines depict parts of the golf club head that form no part of the claimed design. The two areas shown in stipple shading of different densities depict two areas that respectively contrast in appearance. The stippling does not represent any particular color, material, texture or finish.

1 Claim, 5 Drawing Sheets



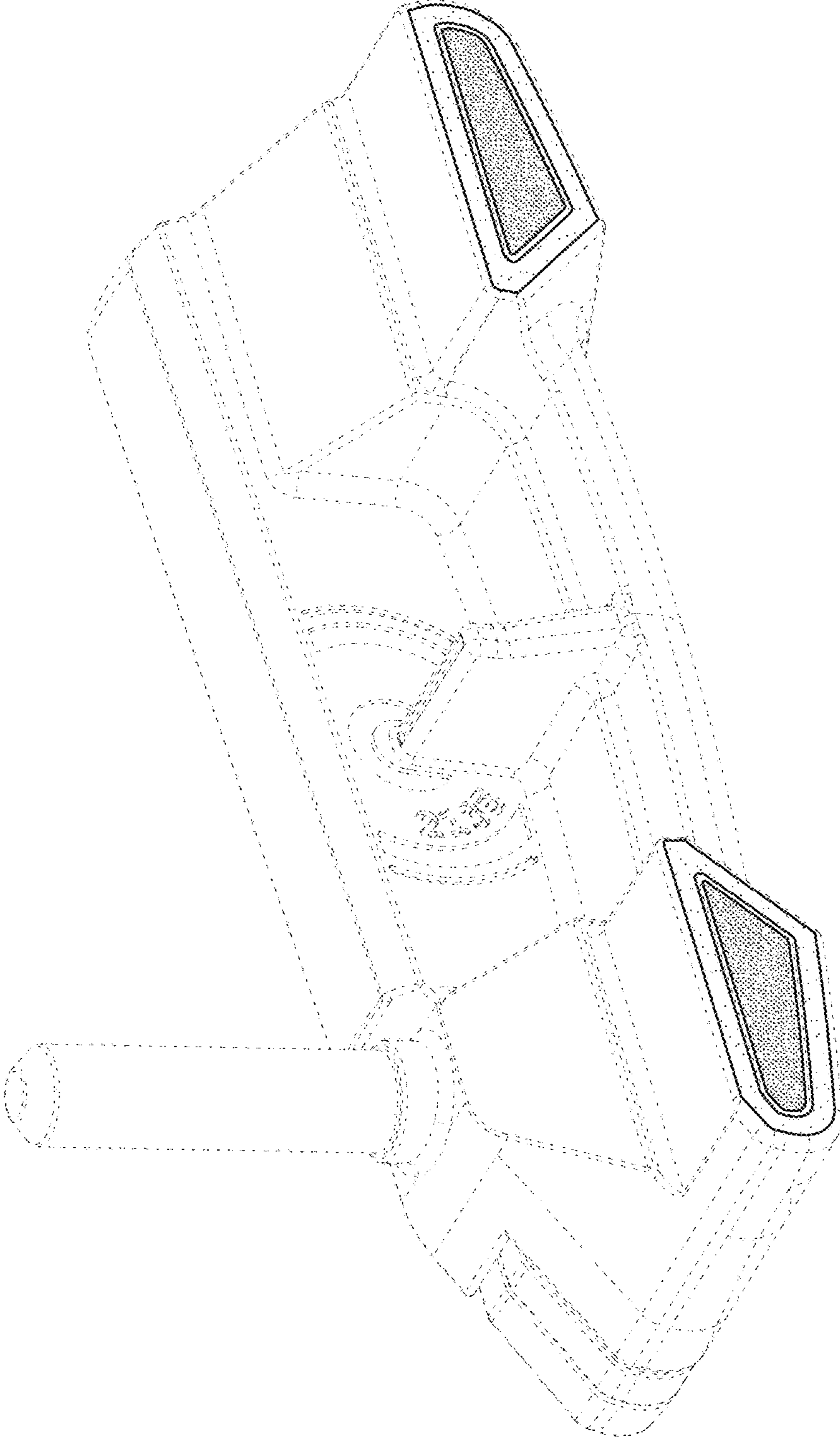


FIG. 1

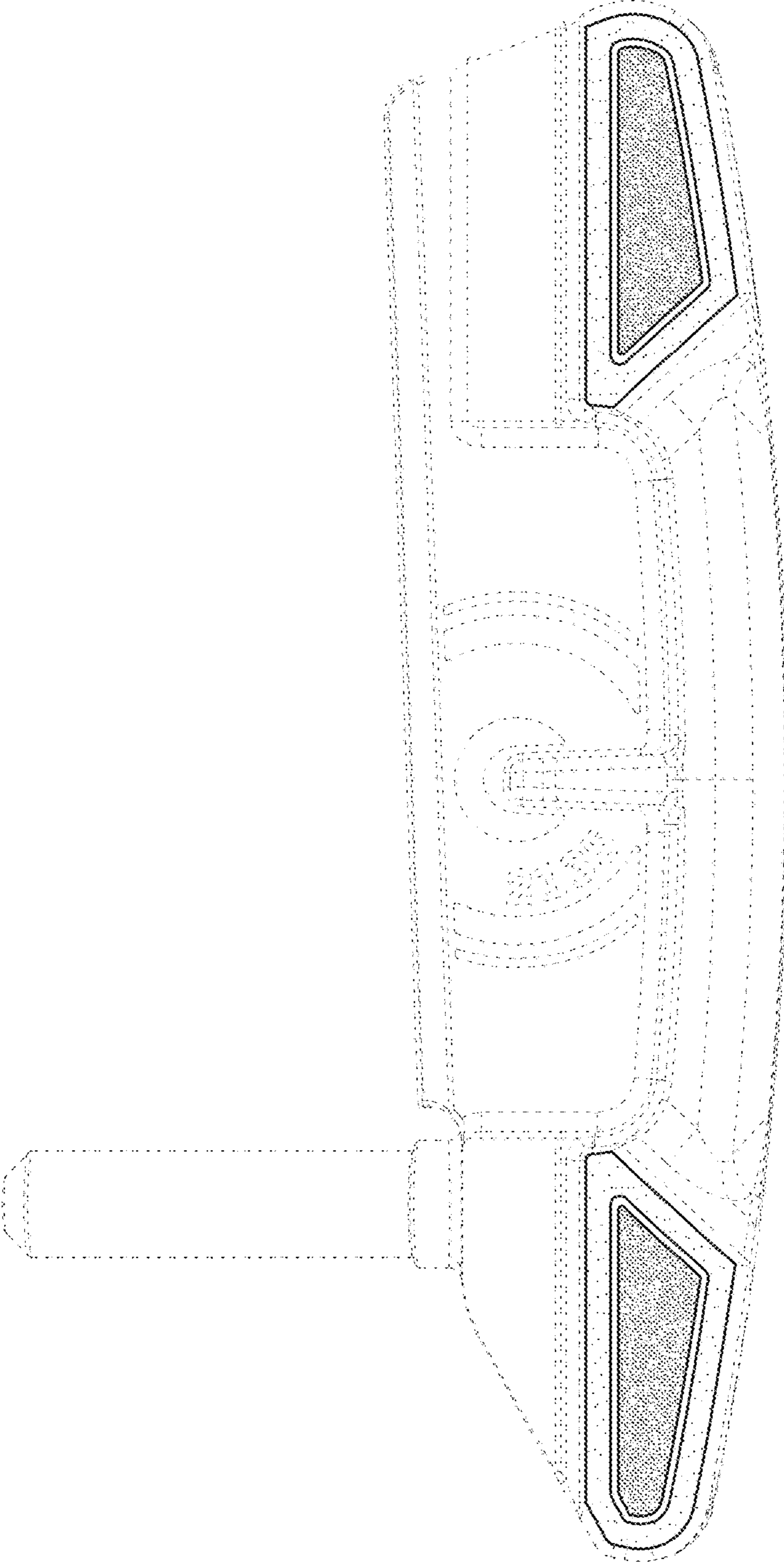


FIG. 2

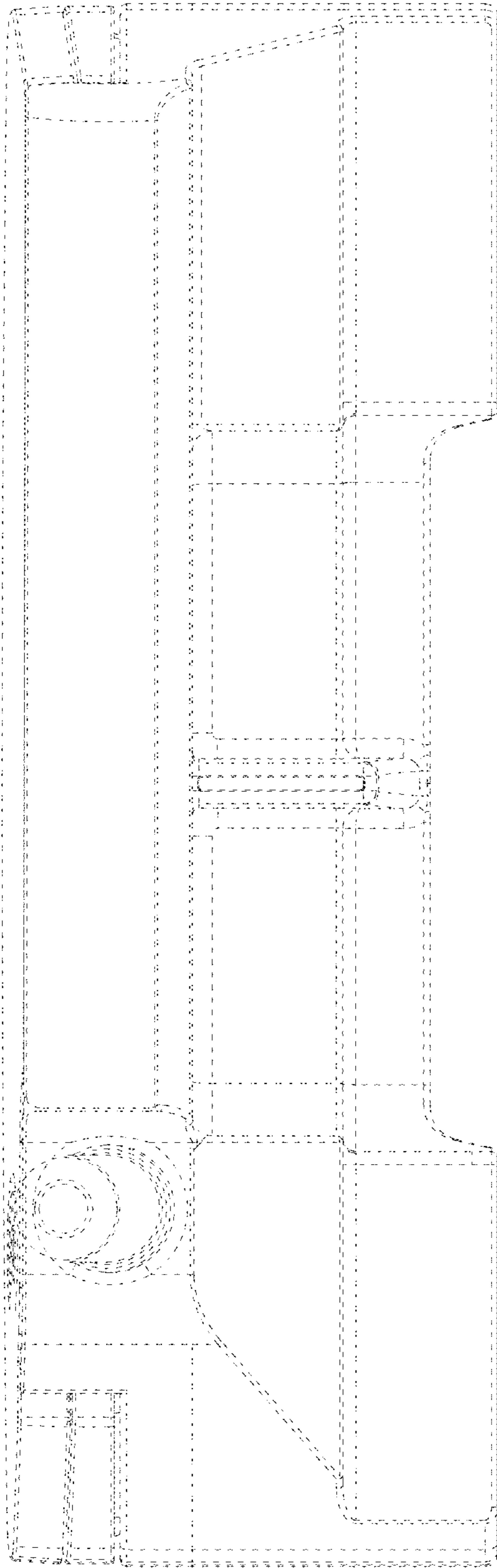


FIG. 3

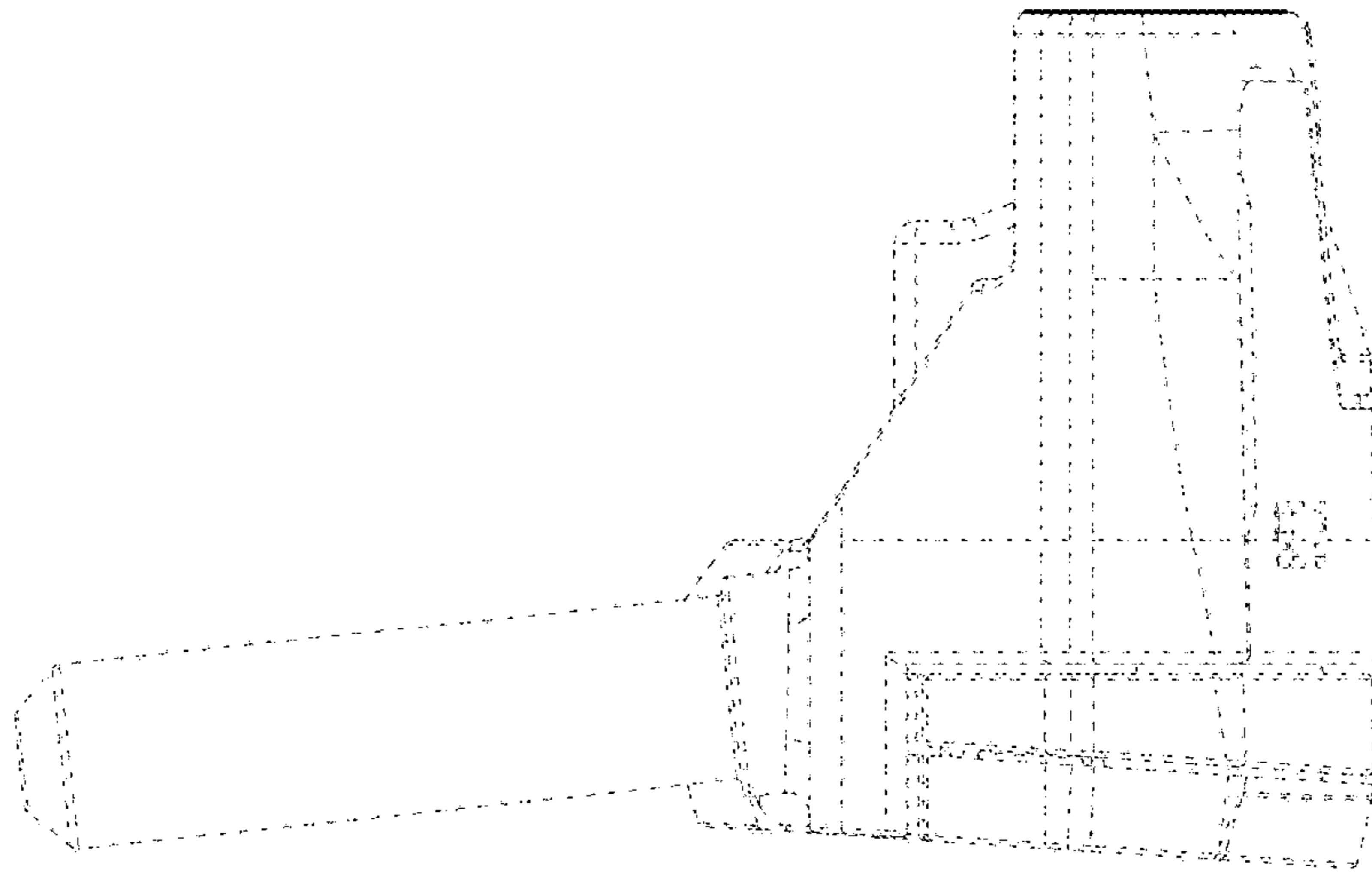


FIG. 5

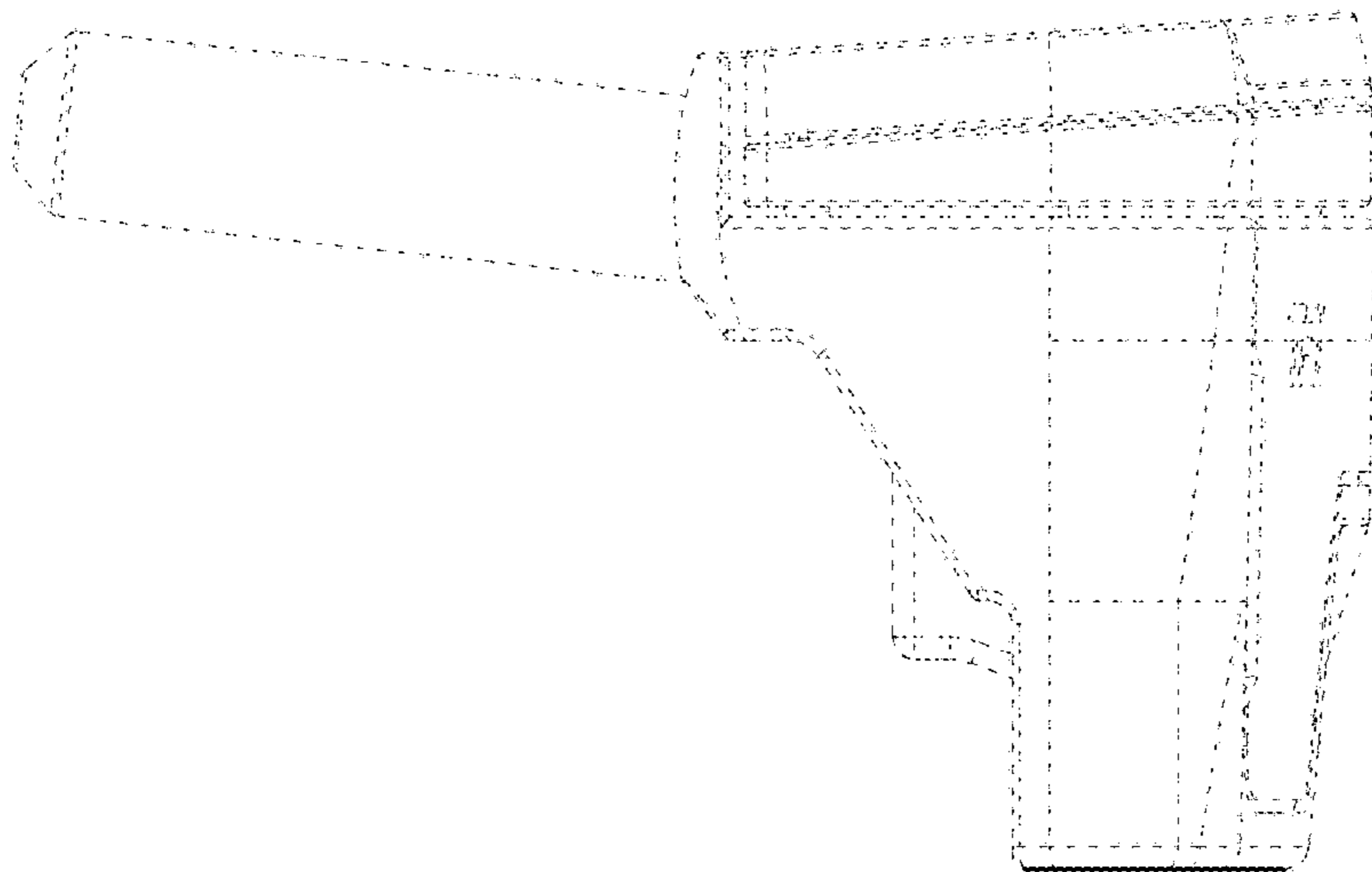


FIG. 4

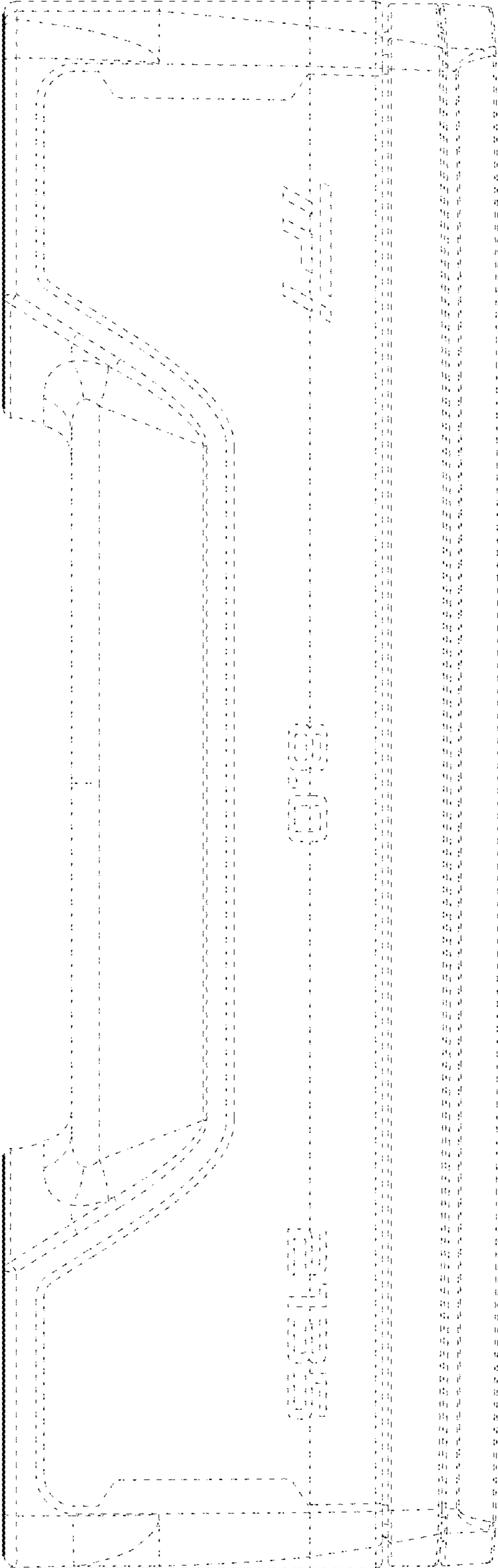


FIG. 6