



US00D837915S

(12) **United States Design Patent**
Plug

(10) **Patent No.:** **US D837,915 S**

(45) **Date of Patent:** **** Jan. 8, 2019**

- (54) **FIELD HOCKEY STICK SHAFT**
- (71) Applicant: **DSM IP ASSETS B.V.**, Heerlen (NL)
- (72) Inventor: **Johannes Petrus Marinus Plug**, Echt (NL)
- (73) Assignee: **DSM IP ASSETS B.V.**, Heerlen (NL)
- (**) Term: **15 Years**
- (21) Appl. No.: **29/617,805**
- (22) Filed: **Sep. 15, 2017**

- 8,182,376 B2 * 5/2012 Kotula A63B 59/70
473/519
- 8,241,154 B2 * 8/2012 Pfeifer A63B 49/08
473/560
- D809,077 S * 1/2018 Plug D21/727

* cited by examiner

Primary Examiner — Mitchell I. Siegel

(74) *Attorney, Agent, or Firm* — Nixon & Vanderhye P.C.

(57) **CLAIM**

The ornamental design for a “field hockey stick shaft,” as shown and described.

DESCRIPTION

This application may be deemed to be related to commonly owned U.S. Design application Ser. No. 29/566,952 entitled “Design for: Field Hockey Stick and Shaft Thereof” (now U.S. Design Pat. No. D808,479); Design application Ser. No. 29/566,965 entitled “Design for: Ice Hockey Stick and Shaft Thereof” (now U.S. Design Pat. No. D808,480); and Ser. No. 29/566,971 entitled “Design for: Ice Hockey Stick and Shaft Thereof” (now U.S. Design Pat. No. D808,481), the entire content of each application being expressly incorporated hereinto by reference.

FIG. 1 is a top right front perspective view of a field hockey stick shaft which embodies my new and original design therefore;

FIG. 2 is a bottom left front perspective view thereof;

FIG. 3 is a right side elevational view thereof;

FIG. 4 is a left side elevational view thereof;

FIG. 5 is a top plan view thereof; and

FIG. 6 is a bottom plan view thereof; and,

FIG. 7 is an enlarged top plan view taken on dash-dot line 7 of FIG. 5 showing in detail the pattern disclosed throughout the entire design, and wherein the proximal and distal end elevational views thereof are unornamented.

The dash-dot lines in the drawings represent boundaries of the design.

Related U.S. Application Data

- (62) Division of application No. 29/566,944, filed on Jun. 3, 2016, now Pat. No. Des. 809,077.
- (51) **LOC (11) Cl.** **21-02**
- (52) **U.S. Cl.**
USPC **D21/753**; D21/727
- (58) **Field of Classification Search**
USPC D21/722–728, 753, 756–758
CPC A63B 69/00; A63B 69/0024; A63B 59/70;
A63B 60/48; A63B 60/00; A63B 60/46;
A63B 2102/22; A63B 2102/24
See application file for complete search history.

References Cited

U.S. PATENT DOCUMENTS

- D244,790 S * 6/1977 Carlson 473/563
- 4,512,573 A * 4/1985 Coolen A63B 59/70
473/559
- 5,603,498 A * 2/1997 Crawford A63B 60/48
473/563
- 7,377,865 B2 * 5/2008 Bedwell A63B 60/34
473/560
- 7,556,573 B2 * 7/2009 Beach A63B 69/0024
473/446

1 Claim, 5 Drawing Sheets

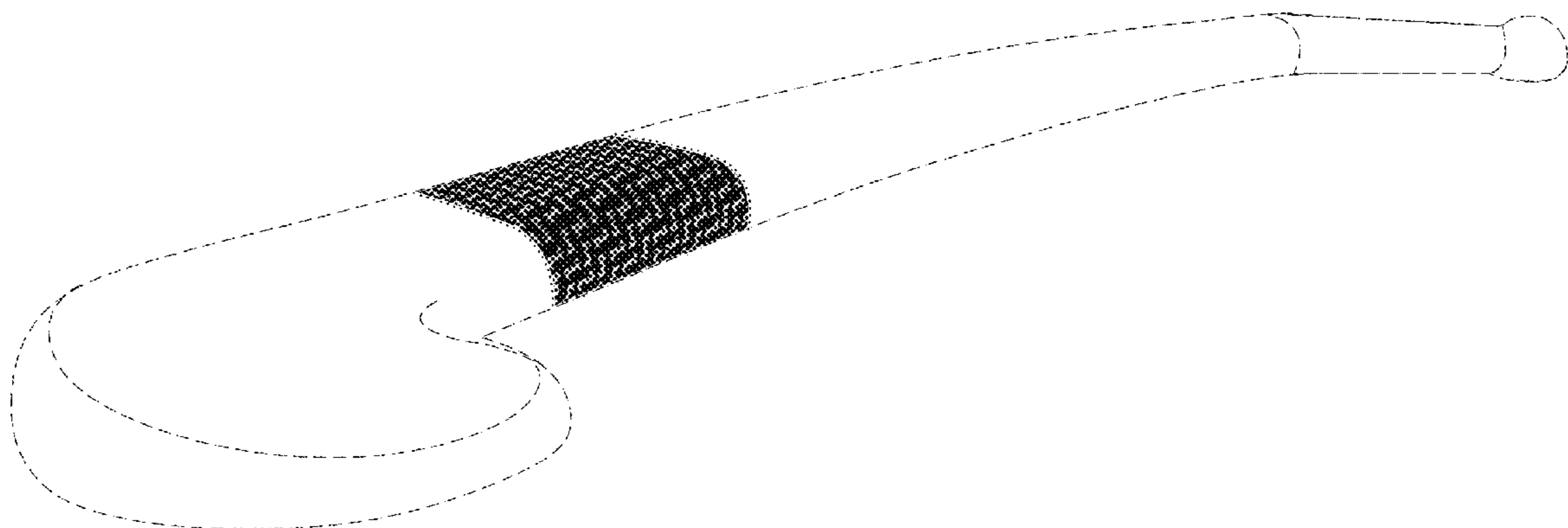




Fig. 1

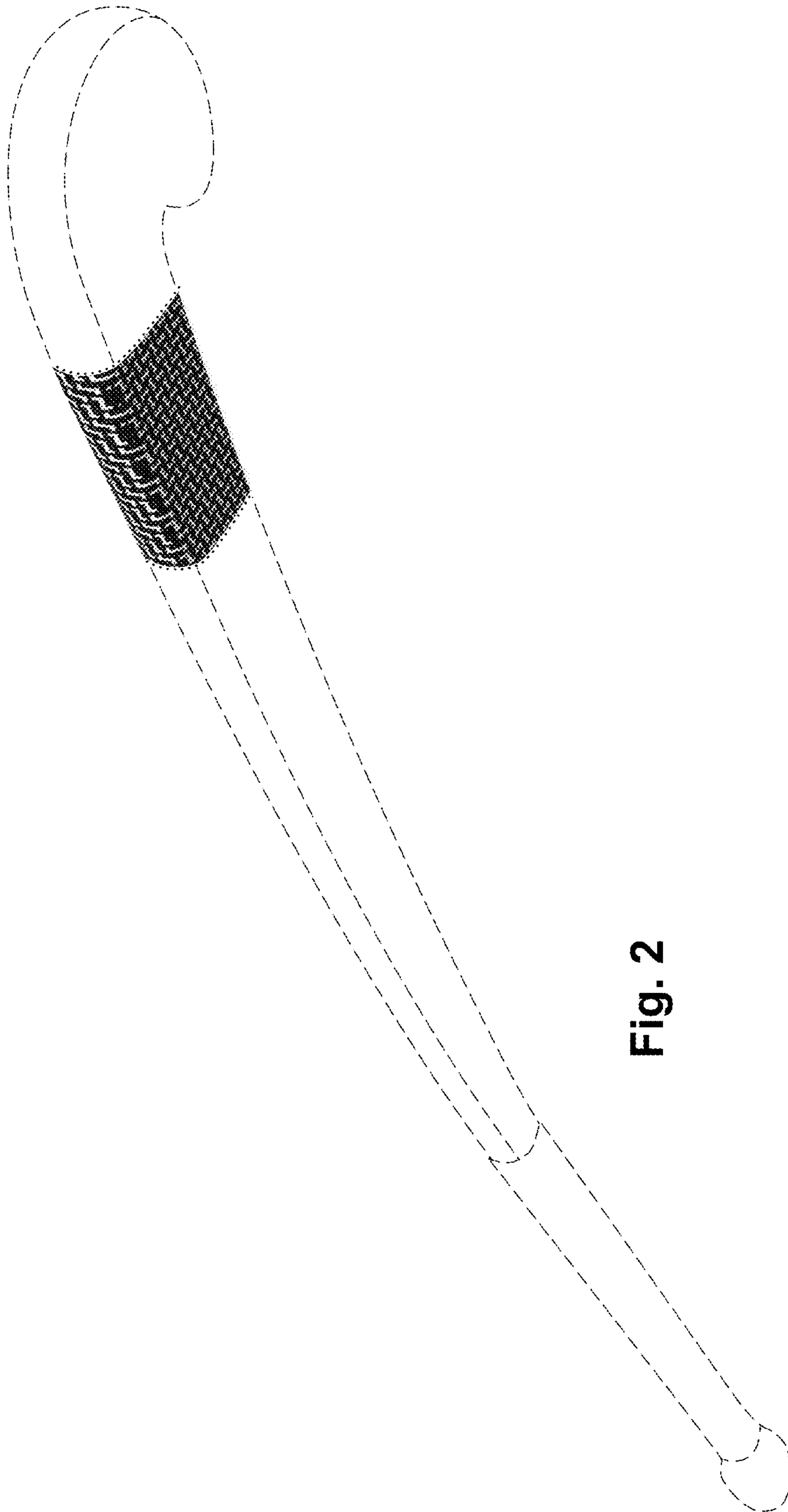


Fig. 2

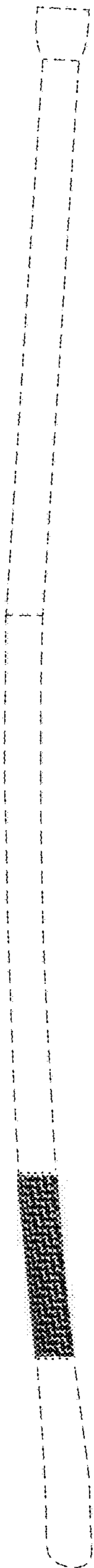


Fig. 3

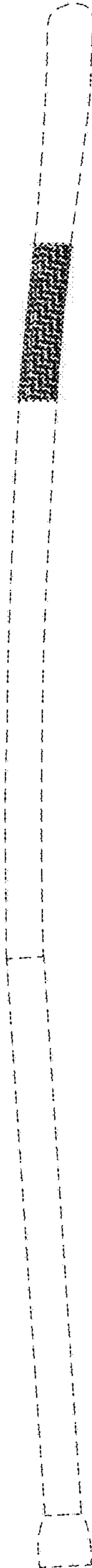


Fig. 4

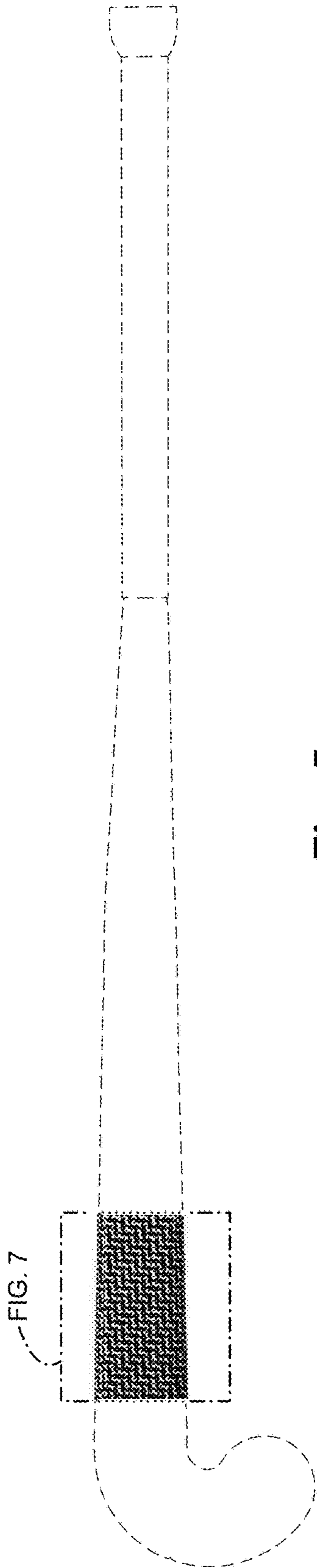


Fig. 5

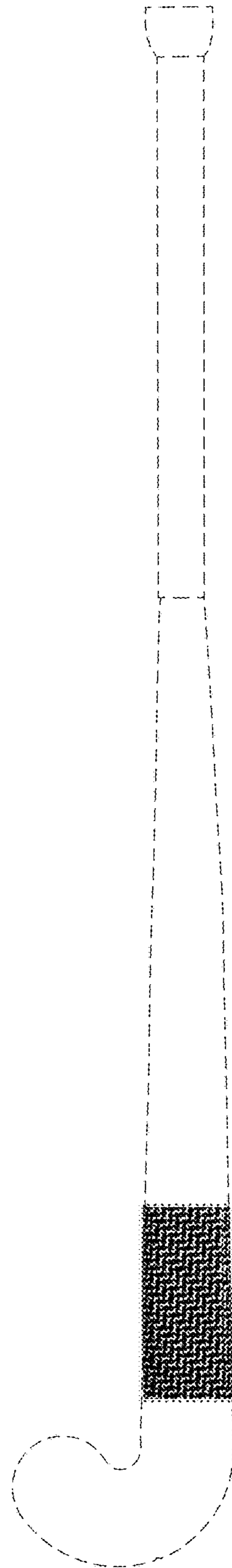


Fig. 6

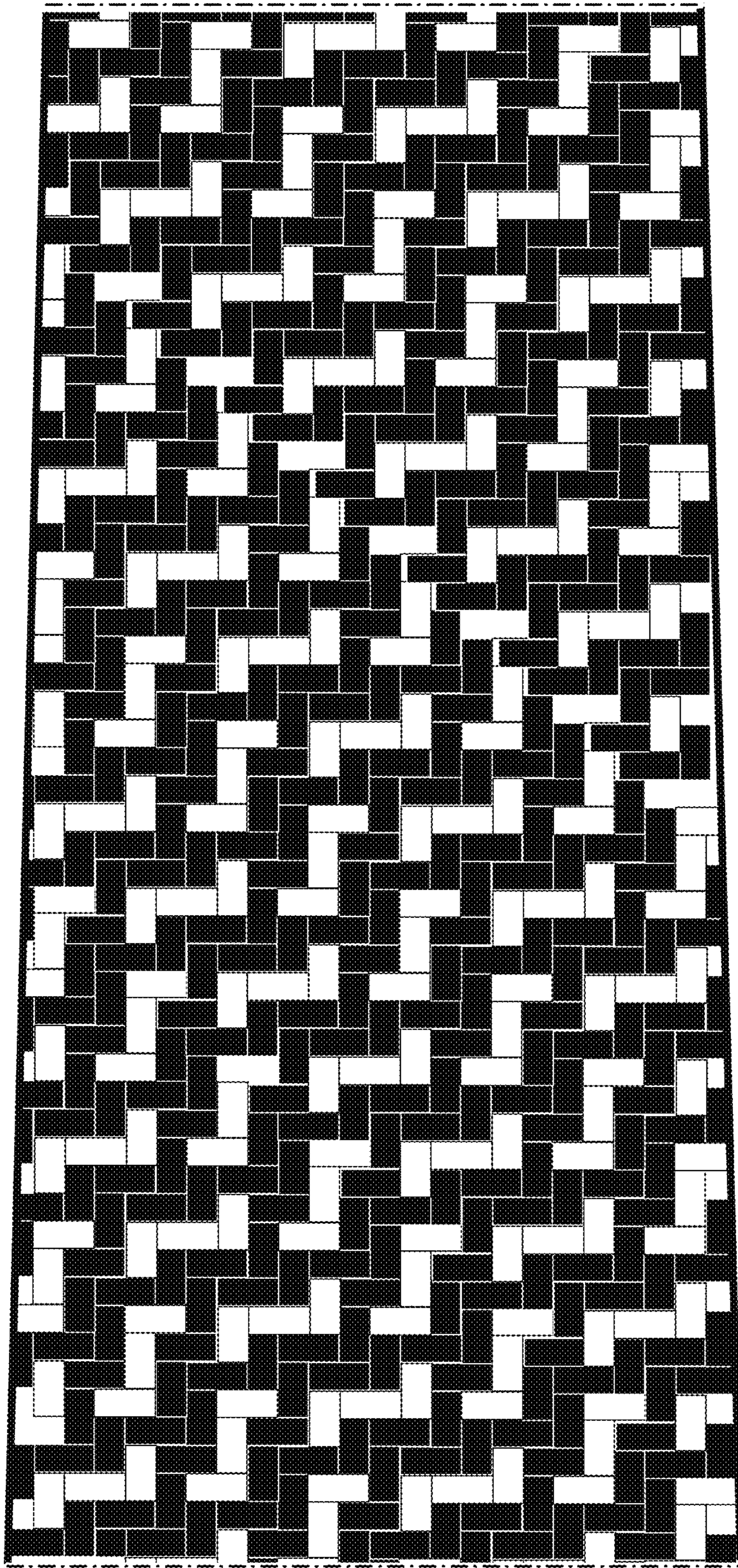


Fig. 7