



US00D837914S

(12) **United States Design Patent**  
**Clarke et al.**

(10) **Patent No.:** **US D837,914 S**

(45) **Date of Patent:** **\*\* Jan. 8, 2019**

- (54) **GOLF CLUB HEAD**
- (71) Applicant: **Karsten Manufacturing Corporation**,  
Phoenix, AZ (US)
- (72) Inventors: **Jacob T. Clarke**, Phoenix, AZ (US);  
**Murphy Alexander**, Phoenix, AZ (US);  
**Daniel K. Lee**, Chandler, AZ (US)
- (73) Assignee: **Karsten Manufacturing Corporation**,  
Phoenix, AZ (US)
- (\*\*) Term: **15 Years**
- (21) Appl. No.: **29/617,881**
- (22) Filed: **Sep. 15, 2017**
- (51) **LOC (11) Cl.** ..... **21-02**
- (52) **U.S. Cl.**  
USPC ..... **D21/752**
- (58) **Field of Classification Search**  
USPC ..... D21/733, 752, 759  
CPC ..... A63B 53/00; A63B 53/04; A63B 53/0466;  
A63B 2053/002; A63B 2053/0445; A63B  
2053/0433; A63B 2053/0491; A63B  
2053/0437  
See application file for complete search history.

D557,362 S	*	12/2007	Serrano	.....	D21/752
D557,363 S		12/2007	Jertson		
D558,287 S		12/2007	Jertson		
D558,288 S		12/2007	Jertson		
D562,421 S		2/2008	Jertson		
D563,498 S		3/2008	Jertson		
D564,054 S		3/2008	Jertson		
D564,055 S		3/2008	Jertson		
D564,056 S		3/2008	Chen		
D566,214 S		4/2008	Evans		
D567,317 S		4/2008	Jertson		
D567,891 S		4/2008	Serrano		
D569,933 S		5/2008	Jertson		
D569,934 S		5/2008	Jertson		
D569,935 S		5/2008	Schweigert		
D569,936 S		5/2008	Schweigert		
D569,937 S		5/2008	Sanchez		
D569,938 S		5/2008	Sanchez		
D570,937 S		6/2008	Schweigert		
D570,938 S		6/2008	Jertson		

(Continued)

Primary Examiner — Mitchell I. Siegel

(57) **CLAIM**

The ornamental design for a golf club head, as shown and described.

**DESCRIPTION**

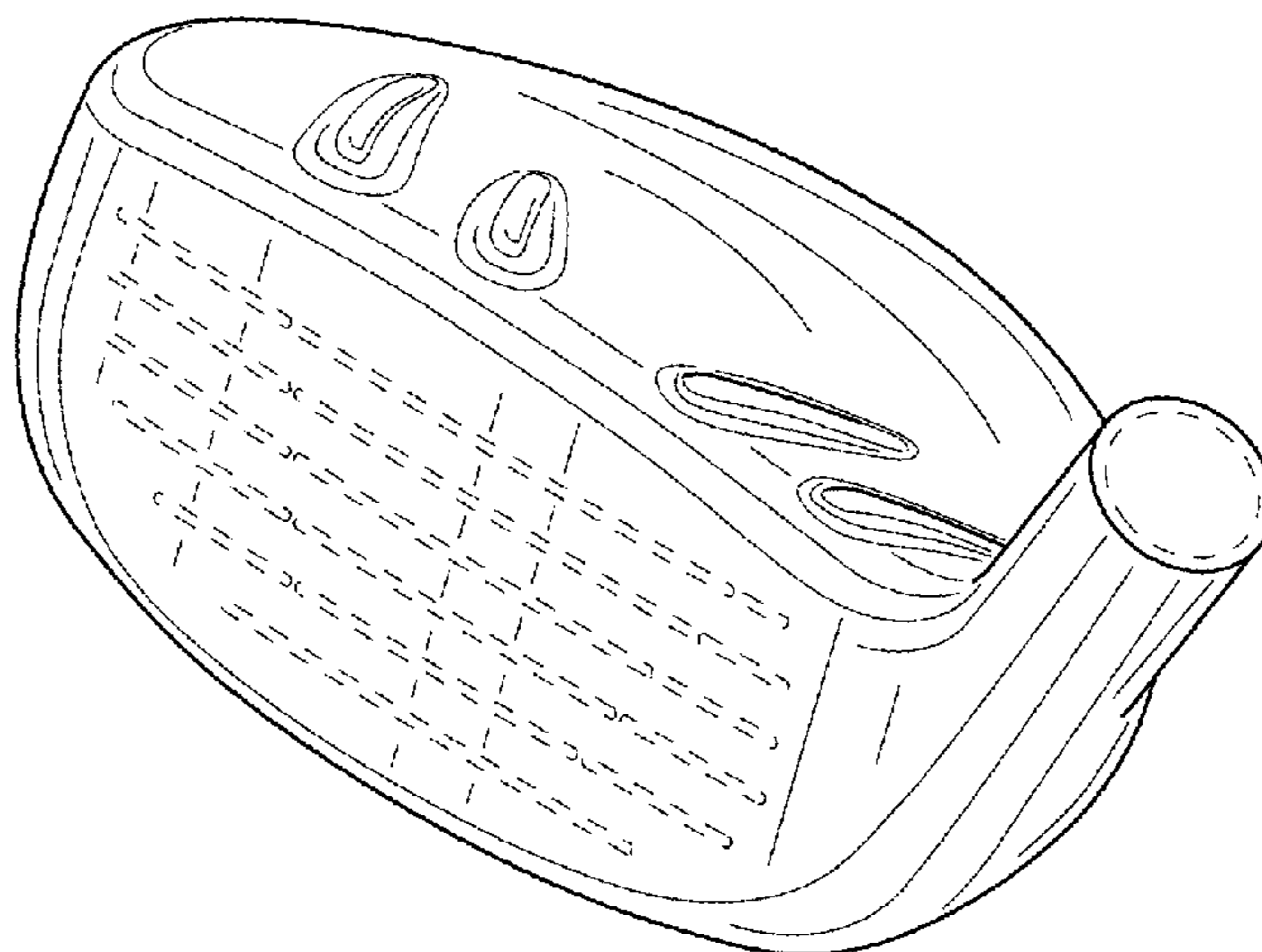
FIG. 1 is a front perspective view of a golf club head; FIG. 2 is a rear perspective view of the golf club head of FIG. 1; FIG. 3 is a front view of the golf club head of FIG. 1; FIG. 4 is a rear view of the golf club head of FIG. 1; FIG. 5 is a top view of the golf club head of FIG. 1; FIG. 6 is a bottom view of the golf club head of FIG. 1; FIG. 7 is a heel view of the golf club head of FIG. 1; and, FIG. 8 is a toe view of the golf club head of FIG. 1. The broken lines shown in one or more of the figures are for illustrative purposes only and form no part of the claimed design.

**1 Claim, 4 Drawing Sheets**

(56) **References Cited**

**U.S. PATENT DOCUMENTS**

D442,244 S	*	5/2001	Olsavsky	.....	D21/752
D482,419 S		11/2003	Burrows		
D486,542 S		2/2004	Burrows		
D490,870 S		6/2004	Burrows		
D508,275 S		8/2005	Burrows		
D534,979 S		1/2007	Chau		
D537,139 S		2/2007	Breier		
D537,895 S		3/2007	Breier		
D538,370 S		3/2007	Breier		
D553,206 S	*	10/2007	Morales	.....	D21/733



(56)

References Cited

U.S. PATENT DOCUMENTS

D570,939 S	6/2008	Chen	D635,626 S	4/2011	Nicolette
D570,940 S	6/2008	Chen	D638,896 S	5/2011	Schweigert
D570,941 S	6/2008	Chen	7,934,998 B2	5/2011	Yokota
D571,882 S	6/2008	Sorraco	8,012,034 B1	9/2011	Cackett
D572,324 S	7/2008	Chen	8,012,038 B1	9/2011	Beach et al.
D572,782 S	7/2008	Sanchez	D647,585 S	10/2011	Jertson
D572,783 S	7/2008	Sanchez	D661,751 S	6/2012	Nicolette
D572,784 S	7/2008	Sanchez	D661,752 S	6/2012	Stokke
D572,785 S	7/2008	Chen	D661,756 S	6/2012	Nicolette
D572,787 S	7/2008	Sanchez	D661,757 S	6/2012	Stokke
D572,791 S	7/2008	Jertson	D664,222 S *	7/2012	Lindsay ..... D21/733
D573,213 S	7/2008	Sanchez	8,235,841 B2	8/2012	Stites et al.
D573,214 S	7/2008	Sanchez	D669,546 S	10/2012	Llewellyn
D573,215 S	7/2008	Sanchez	D669,948 S	10/2012	Sakamoto
D573,216 S	7/2008	Sanchez	D669,949 S	10/2012	Sakamoto
D573,217 S	7/2008	Sanchez	8,337,319 B2	12/2012	Sargent et al.
D573,218 S	7/2008	Sanchez	8,337,326 B2	12/2012	Lukasiewicz, Jr.
D573,674 S	7/2008	Sanchez	8,337,328 B2	12/2012	Foster et al.
D573,675 S	7/2008	Sanchez	D673,630 S	1/2013	Schweigert
D573,676 S	7/2008	Chen	D673,632 S	1/2013	Schweigert
D573,678 S	7/2008	Kawami	D680,179 S	4/2013	Solheim
D574,046 S	7/2008	Chen	D686,291 S	7/2013	Foster
D574,048 S	7/2008	Kadoya	D687,503 S	8/2013	Solheim
D574,049 S	7/2008	Kadoya	D691,230 S	10/2013	Chen et al.
7,396,296 B2	7/2008	Evans	D696,739 S	12/2013	Stokke et al.
D578,587 S	10/2008	Hoffman	D705,879 S *	5/2014	Chen ..... D21/752
D579,066 S	10/2008	Dipert	D707,765 S	6/2014	Engel et al.
D579,067 S	10/2008	Hoffman	D709,153 S	7/2014	Fossum et al.
D580,504 S	11/2008	Bosilkovski	D709,574 S	7/2014	Bacon et al.
D583,432 S	12/2008	Serrano	D714,891 S *	10/2014	Greensmith ..... D21/752
D587,772 S	3/2009	Ferguson	1,509,539 A1	10/2014	Ching et al.
D588,217 S	3/2009	Jertson	D720,025 S	12/2014	Nicolette
D588,220 S	3/2009	Ferguson	D721,147 S	1/2015	Chen
D588,659 S	3/2009	Jertson	D721,777 S *	1/2015	Chen ..... D21/759
D589,576 S	3/2009	Kadoya	D722,122 S *	2/2015	Greensmith ..... D21/752
7,503,854 B2	3/2009	Galloway	D754,271 S	4/2016	Chen
D591,810 S	5/2009	Murphy	D755,317 S	5/2016	Chen
D591,816 S	5/2009	Vehse et al.	D763,983 S	8/2016	Tang
D591,817 S	5/2009	Murphy	D771,209 S *	11/2016	Chen ..... D21/752
D591,818 S	5/2009	Roberts	D777,855 S *	1/2017	Stokke ..... D21/752
D594,518 S	6/2009	Schweigert	D780,866 S *	3/2017	Stokke ..... D21/752
D594,521 S	6/2009	Jertson	D785,735 S *	5/2017	Bacon ..... D21/752
D594,919 S	6/2009	Schweigert	D788,864 S *	6/2017	Stokke ..... D21/752
D595,381 S	6/2009	Waggoner	D791,255 S *	7/2017	Jertson ..... D21/752
D596,252 S	7/2009	Jertson	D794,733 S *	8/2017	Milleman ..... D21/752
D598,062 S	8/2009	Dipert	D801,461 S *	10/2017	Milleman ..... D21/752
D600,297 S	9/2009	Jertson	D801,462 S *	10/2017	Wang ..... D21/752
1,368,763 A1	9/2009	Murphy et al.	D811,503 S *	2/2018	Bacon ..... D21/752
D603,472 S	11/2009	Schweigert	D814,582 S *	4/2018	Bacon ..... D21/752
D603,919 S	11/2009	Gray	D814,583 S *	4/2018	Stokke ..... D21/752
D604,376 S	11/2009	Darley	D815,223 S *	4/2018	Stokke ..... D21/752
D609,293 S	2/2010	Williams	D815,706 S *	4/2018	Chen ..... D21/759
D609,294 S	2/2010	Oldknow	D823,958 S *	7/2018	Stokke ..... D21/752
D611,555 S	3/2010	Oldknow	D825,013 S *	8/2018	Milleman ..... D21/752
D612,005 S	3/2010	Oldknow	2006/0052181 A1 *	3/2006	Serrano ..... A63B 53/0466 473/345
D613,805 S	4/2010	Sutovsky	2008/0045356 A1 *	2/2008	Lin ..... A63B 53/0466 473/346
7,717,807 B2	5/2010	Evans et al.	2008/0171612 A1	7/2008	Serrano
D618,747 S	6/2010	Schweigert	2008/0188322 A1	8/2008	Anderson
D618,753 S *	6/2010	Jertson ..... D21/759	2009/0275419 A1	11/2009	Cackett
D618,754 S	6/2010	Schweigert	2010/0267461 A1	10/2010	Stites
D621,892 S	8/2010	Kohno	2011/0053702 A1	3/2011	Stites et al.
D631,111 S *	1/2011	Bennett ..... D21/752	2012/0252597 A1	10/2012	Thomas
7,892,111 B2	2/2011	Morales	2013/0029781 A1	1/2013	Beno et al.

\* cited by examiner

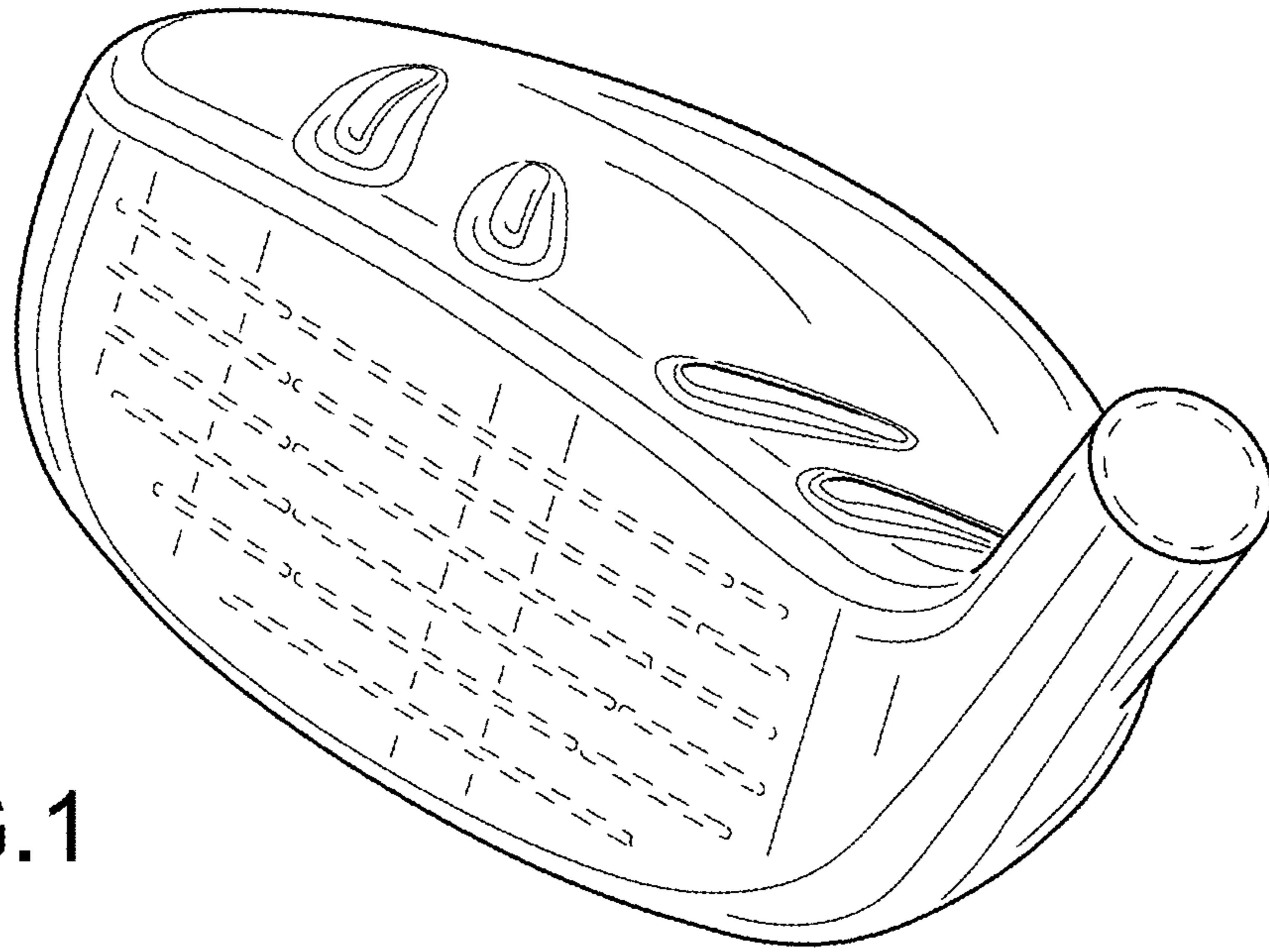


FIG.1

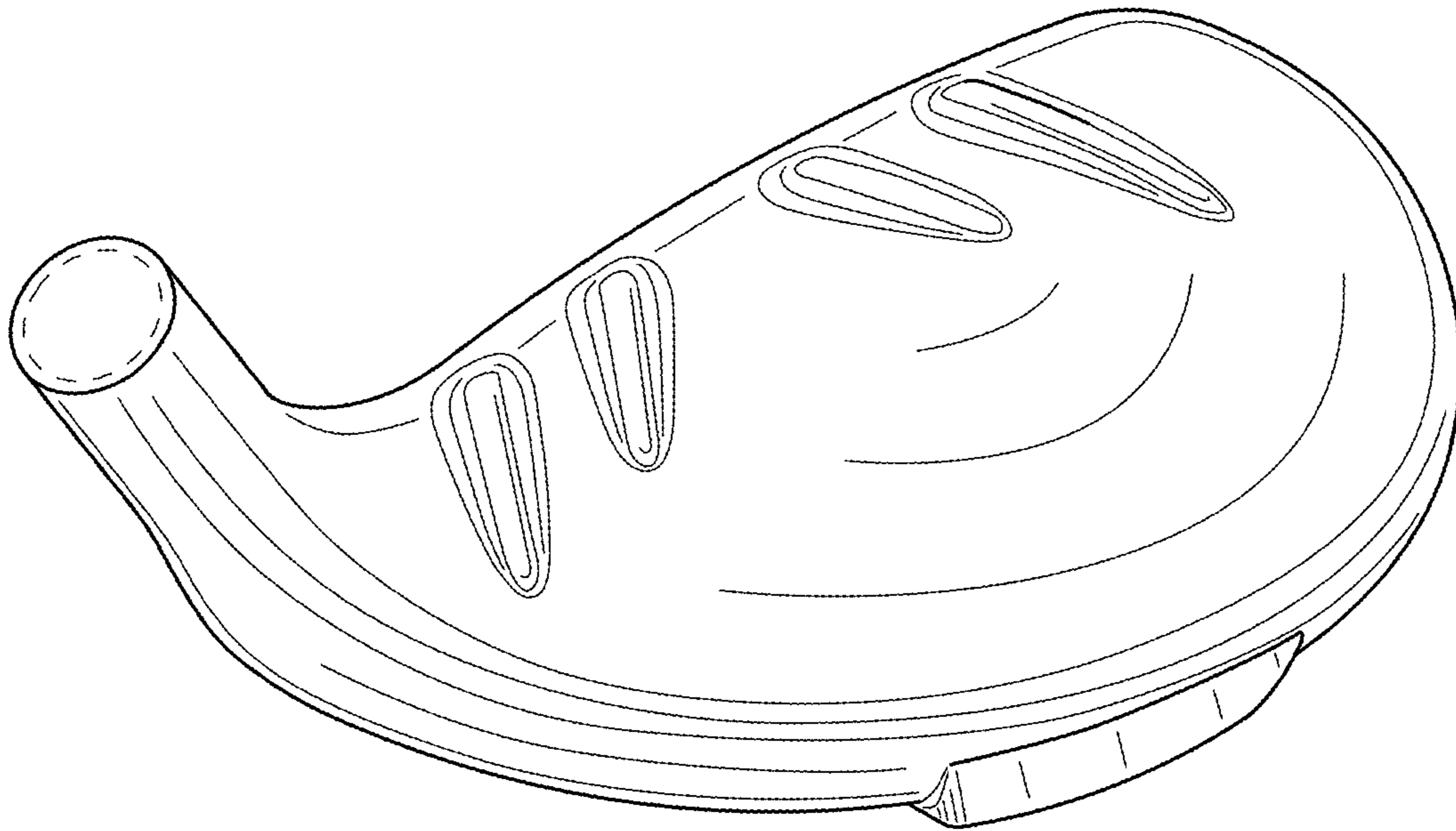


FIG.2

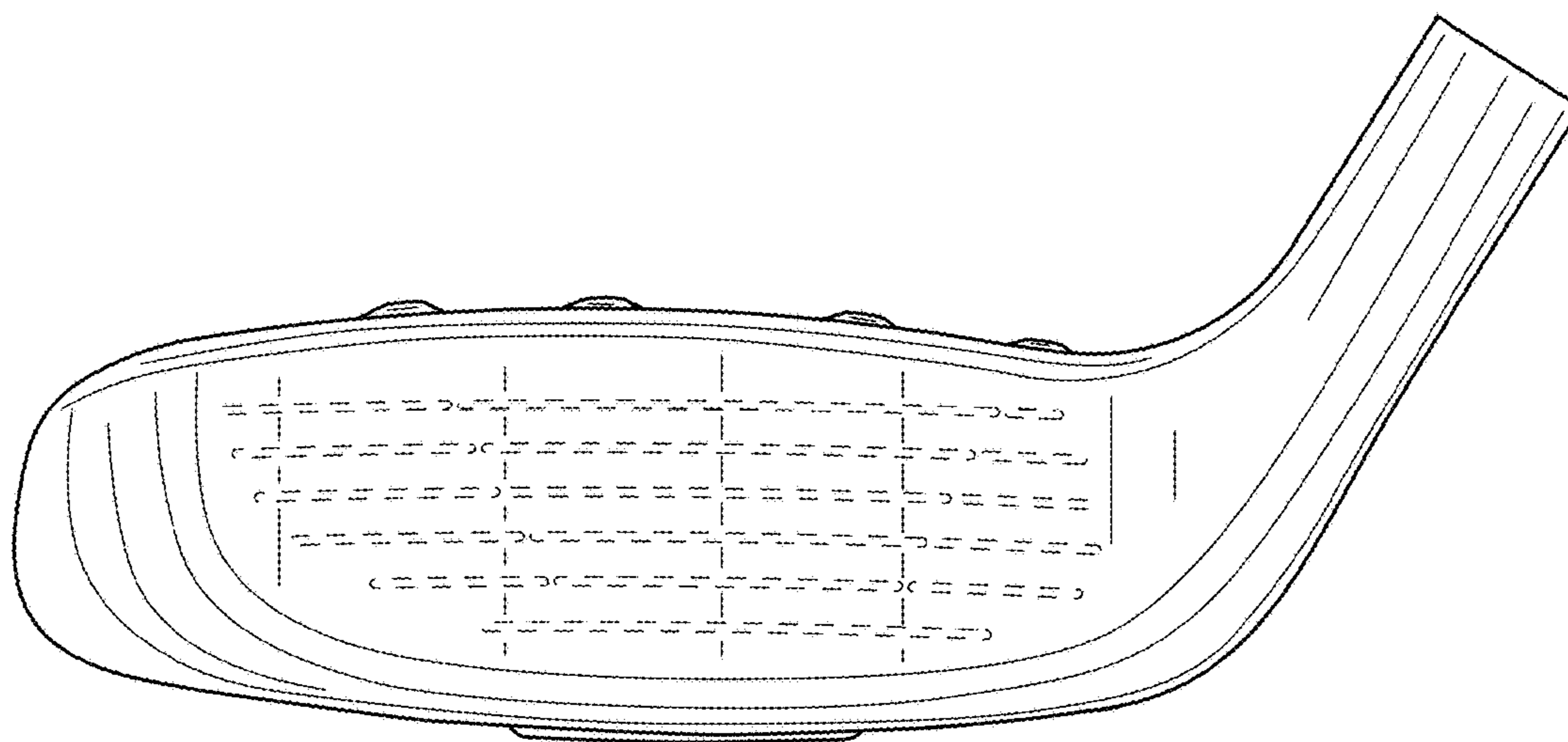


FIG.3

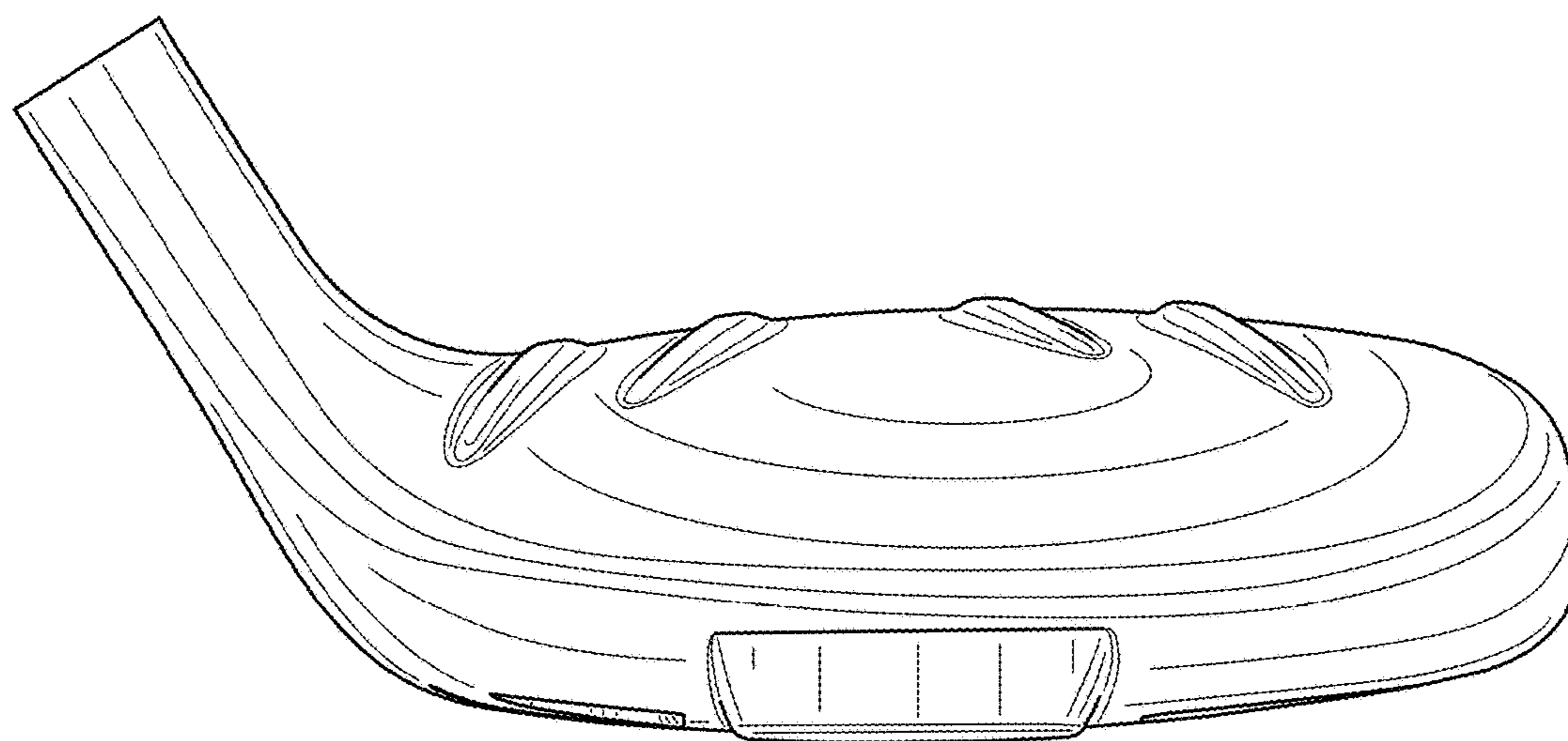


FIG.4

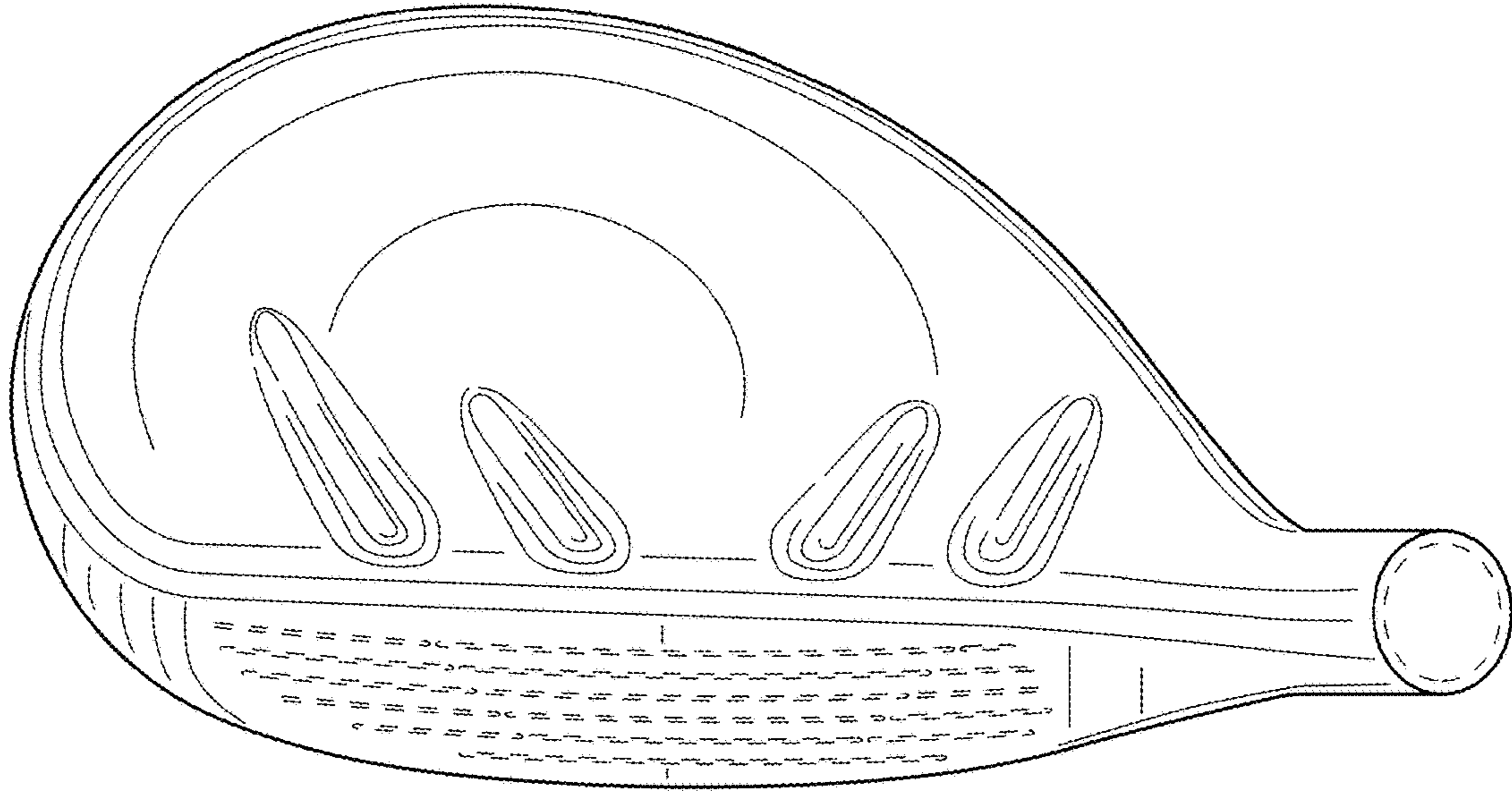


FIG.5

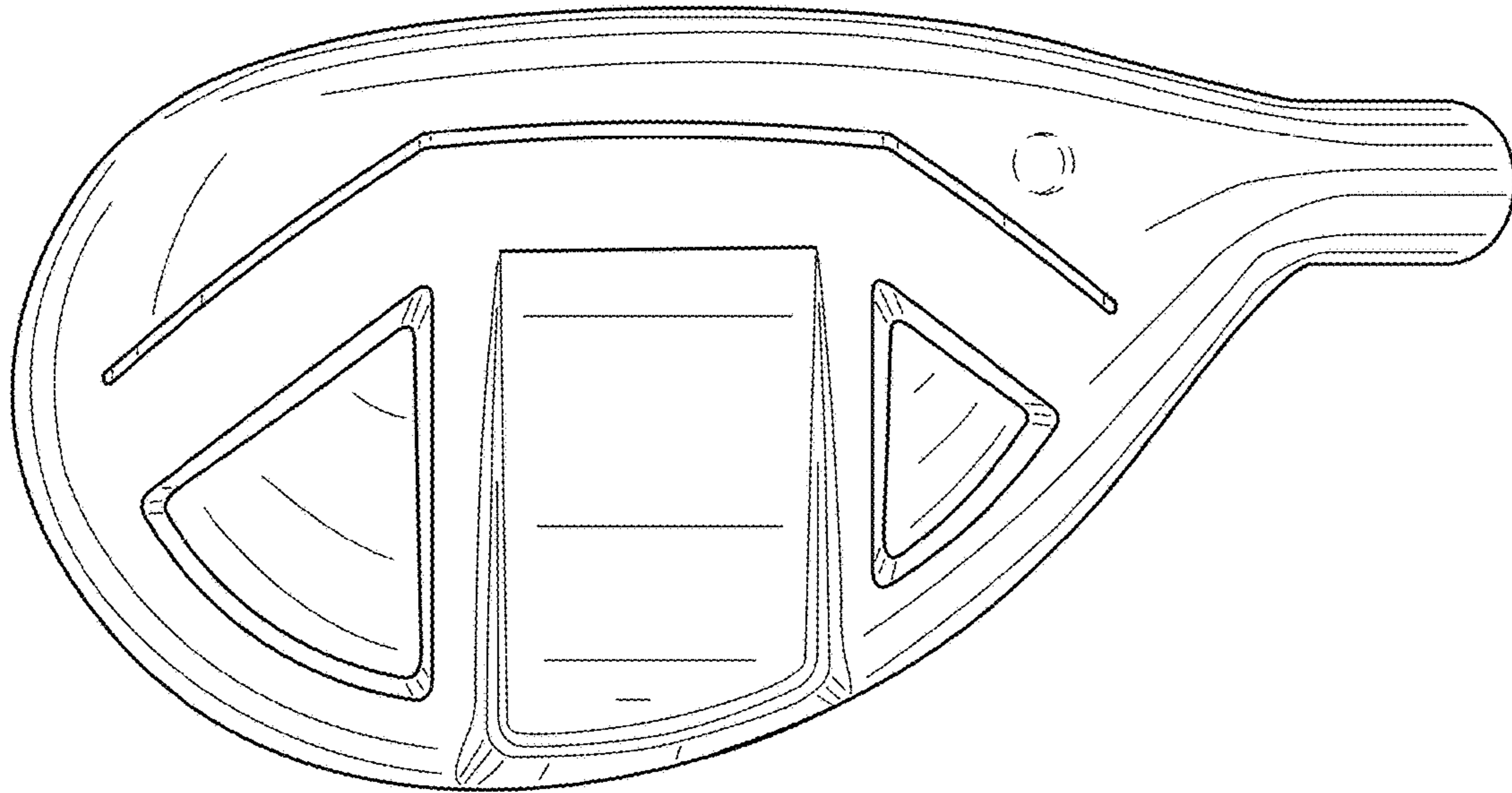


FIG.6

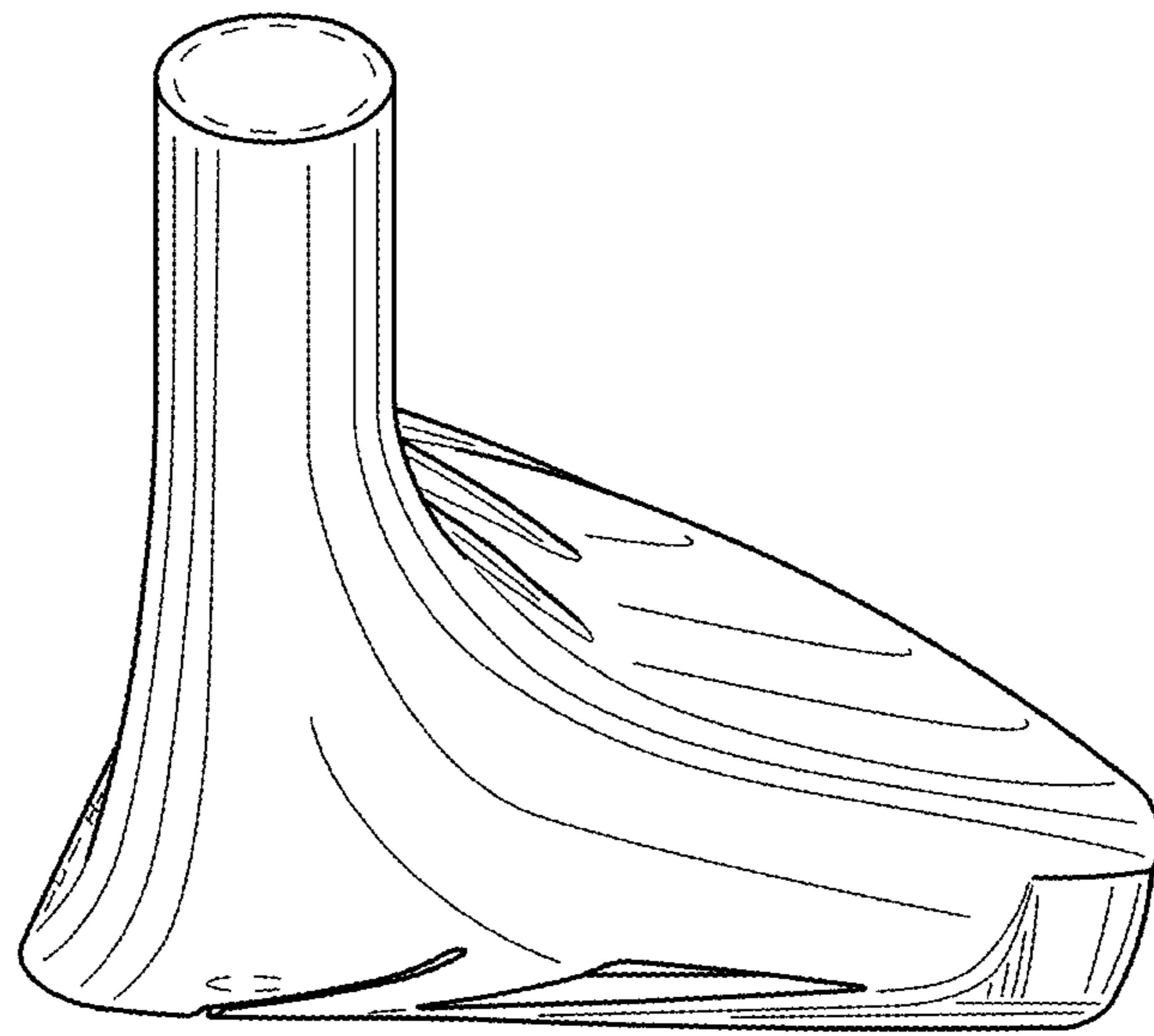


FIG. 7

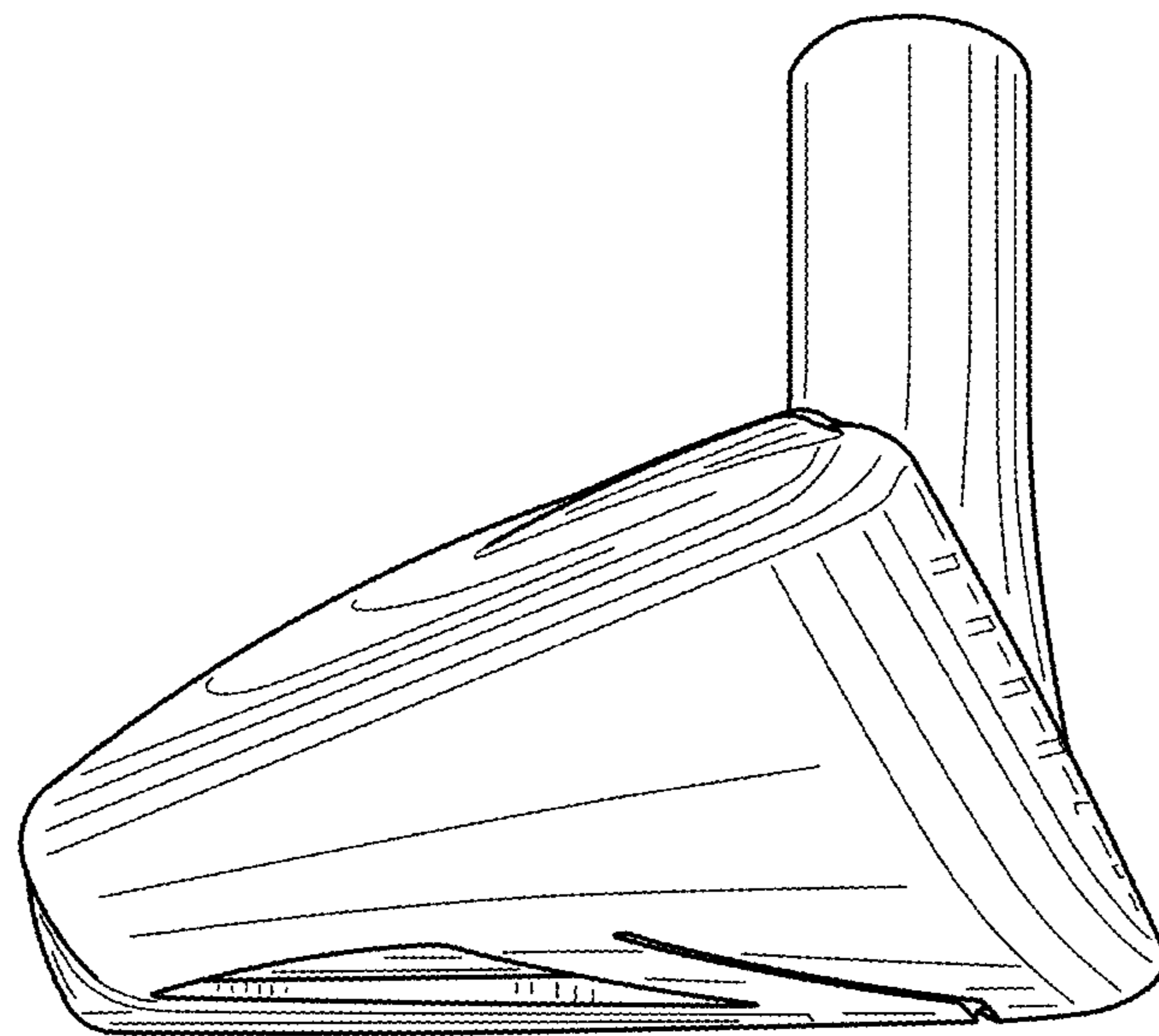


FIG. 8