



US00D837913S

(12) **United States Design Patent** (10) **Patent No.:** **US D837,913 S**
Clarke et al. (45) **Date of Patent:** **** Jan. 8, 2019**

(54) **GOLF CLUB HEAD**
(71) Applicant: **Karsten Manufacturing Corporation**,
Phoenix, AZ (US)
(72) Inventors: **Jacob T. Clarke**, Phoenix, AZ (US);
Murphy Alexander, Phoenix, AZ (US);
Daniel K. Lee, Chandler, AZ (US)
(73) Assignee: **Karsten Manufacturing Corporation**,
Phoenix, AZ (US)
(**) Term: **15 Years**

D563,498 S 3/2008 Jertson
D564,054 S 3/2008 Jertson
D564,055 S 3/2008 Jertson
D564,056 S 3/2008 Chen
D566,214 S 4/2008 Evans
D567,317 S 4/2008 Jertson
D567,891 S 4/2008 Serrano
D569,933 S 5/2008 Jertson
D569,934 S 5/2008 Jertson
D569,935 S 5/2008 Schweigert
D569,936 S 5/2008 Schweigert
D569,937 S 5/2008 Sanchez
D569,938 S 5/2008 Sanchez
D570,937 S 6/2008 Schweigert
D570,938 S 6/2008 Jertson

(Continued)

(21) Appl. No.: **29/617,880**

(22) Filed: **Sep. 15, 2017**

(51) **LOC (11) Cl.** **21-02**

(52) **U.S. Cl.**
USPC **D21/752**

(58) **Field of Classification Search**
USPC D21/733, 752, 759
CPC A63B 53/00; A63B 53/04; A63B 53/0466;
A63B 2053/002; A63B 2053/0445; A63B
2053/0433; A63B 2053/0491; A63B
2053/0437

See application file for complete search history.

(56) **References Cited**

U.S. PATENT DOCUMENTS

D442,244 S * 5/2001 Olsavsky D21/752
D482,419 S 11/2003 Burrows
D486,542 S 2/2004 Burrows
D490,870 S 6/2004 Burrows
D508,275 S 8/2005 Burrows
D553,206 S * 10/2007 Morales D21/733
D557,362 S * 12/2007 Serrano D21/752
D557,363 S 12/2007 Jertson
D558,287 S 12/2007 Jertson
D558,288 S 12/2007 Jertson
D562,421 S 2/2008 Jertson

FOREIGN PATENT DOCUMENTS

JP 1368763 9/2009
JP 1509539 10/2014

Primary Examiner — Mitchell I. Siegel

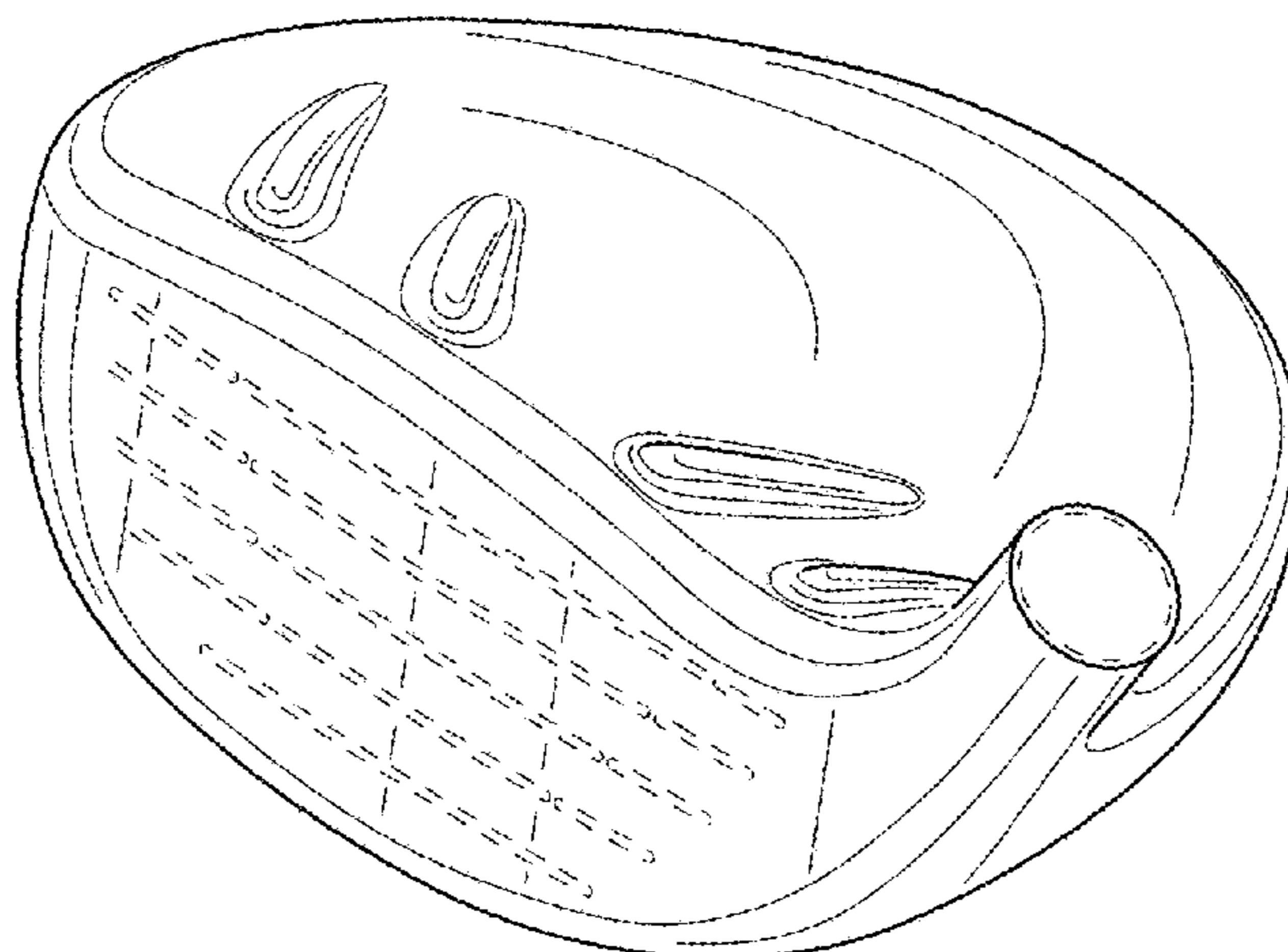
(57) **CLAIM**

The ornamental design for a golf club head, as shown and described.

DESCRIPTION

FIG. 1 is a front perspective view of a golf club head;
FIG. 2 is a rear perspective view of the golf club head of FIG. 1;
FIG. 3 is a front view of the golf club head of FIG. 1;
FIG. 4 is a rear view of the golf club head of FIG. 1;
FIG. 5 is a top view of the golf club head of FIG. 1;
FIG. 6 is a bottom view of the golf club head of FIG. 1;
FIG. 7 is a heel view of the golf club head of FIG. 1; and,
FIG. 8 is a toe view of the golf club head of FIG. 1.
The broken lines shown in one or more of the figures are for illustrative purposes only and form no part of the claimed design.

1 Claim, 5 Drawing Sheets



(56)

References Cited

U.S. PATENT DOCUMENTS

D570,939 S	6/2008	Chen	D635,626 S	4/2011	Nicolette	
D570,940 S	6/2008	Chen	D638,896 S	5/2011	Schweigert	
D570,941 S	6/2008	Chen	7,934,998 B2	5/2011	Yokota	
D571,882 S	6/2008	Sorraco	8,012,034 B1	9/2011	Cackett	
D572,324 S	7/2008	Chen	8,012,038 B1	9/2011	Beach et al.	
D572,782 S	7/2008	Sanchez	D647,585 S	10/2011	Jertson	
D572,783 S	7/2008	Sanchez	D661,751 S	6/2012	Nicolette	
D572,784 S	7/2008	Sanchez	D661,752 S	6/2012	Stokke	
D572,785 S	7/2008	Chen	D661,756 S	6/2012	Nicolette	
D572,787 S	7/2008	Sanchez	D661,757 S	6/2012	Stokke	
D572,791 S	7/2008	Jertson	D664,222 S *	7/2012	Lindsay	D21/733
D573,213 S	7/2008	Sanchez	8,235,841 B2	8/2012	Stites et al.	
D573,214 S	7/2008	Sanchez	D669,546 S	10/2012	Llewellyn	
D573,215 S	7/2008	Sanchez	D669,948 S	10/2012	Sakamoto	
D573,216 S	7/2008	Sanchez	D669,949 S	10/2012	Sakamoto	
D573,217 S	7/2008	Sanchez	8,337,319 B2	12/2012	Sargent et al.	
D573,218 S	7/2008	Sanchez	8,337,326 B2	12/2012	Lukasiewicz, Jr.	
D573,674 S	7/2008	Sanchez	8,337,328 B2	12/2012	Foster et al.	
D573,675 S	7/2008	Sanchez	D673,630 S	1/2013	Schweigert	
D573,676 S	7/2008	Chen	D673,632 S	1/2013	Schweigert	
D573,678 S	7/2008	Kawami	D680,179 S	4/2013	Solheim	
D574,046 S	7/2008	Chen	D686,291 S	7/2013	Foster	
D574,048 S	7/2008	Kadoya	D687,503 S	8/2013	Solheim	
D574,049 S	7/2008	Kadoya	D691,230 S	10/2013	Chen et al.	
7,396,296 B2	7/2008	Evans	D696,739 S	12/2013	Stokke et al.	
D578,587 S	10/2008	Hoffman	D705,879 S *	5/2014	Chen	D21/752
D579,066 S	10/2008	Dipert	D707,765 S	6/2014	Engel et al.	
D579,067 S	10/2008	Hoffman	D709,153 S	7/2014	Fossum et al.	
D580,504 S	11/2008	Bosilkovski	D709,574 S	7/2014	Bacon et al.	
D583,432 S	12/2008	Serrano	D714,891 S *	10/2014	Greensmith	D21/752
D587,772 S	3/2009	Ferguson	D720,025 S	12/2014	Nicolette	
D588,217 S	3/2009	Jertson	D721,147 S	1/2015	Chen	
D588,220 S	3/2009	Ferguson	D721,777 S *	1/2015	Chen	D21/759
D588,659 S	3/2009	Jertson	D722,122 S *	2/2015	Greensmith	D21/752
D589,576 S	3/2009	Kadoya	D754,271 S	4/2016	Chen	
7,503,854 B2	3/2009	Galloway	D755,317 S	5/2016	Chen	
D591,810 S	5/2009	Murphy	D763,983 S	8/2016	Tang	
D591,816 S	5/2009	Vehse et al.	D771,209 S *	11/2016	Chen	D21/752
D591,817 S	5/2009	Murphy	D777,855 S *	1/2017	Stokke	D21/752
D591,818 S	5/2009	Roberts	D780,866 S *	3/2017	Stokke	D21/752
D594,518 S	6/2009	Schweigert	D785,735 S *	5/2017	Bacon	D21/752
D594,521 S	6/2009	Jertson	D788,864 S *	6/2017	Stokke	D21/752
D594,919 S	6/2009	Schweigert	D791,255 S *	7/2017	Jertson	D21/752
D595,381 S	6/2009	Waggoner	D794,733 S *	8/2017	Milleman	D21/752
D596,252 S	7/2009	Jertson	D801,461 S *	10/2017	Milleman	D21/752
D598,062 S	8/2009	Dipert	D801,462 S *	10/2017	Wang	D21/752
D600,297 S	9/2009	Jertson	D811,503 S *	2/2018	Bacon	D21/752
D603,472 S	11/2009	Schweigert	D814,582 S *	4/2018	Bacon	D21/752
D603,919 S	11/2009	Gray	D814,583 S *	4/2018	Stokke	D21/752
D604,376 S	11/2009	Darley	D815,223 S *	4/2018	Stokke	D21/752
D609,293 S	2/2010	Williams	D815,706 S *	4/2018	Chen	D21/759
D609,294 S	2/2010	Oldknow	D823,958 S *	7/2018	Stokke	D21/752
D611,555 S	3/2010	Oldknow	D825,013 S *	8/2018	Milleman	D21/752
D612,005 S	3/2010	Oldknow	2006/0052181 A1 *	3/2006	Serrano	A63B 53/0466 473/345
D613,805 S	4/2010	Sutovsky	2008/0045356 A1 *	2/2008	Lin	A63B 53/0466 473/346
7,717,807 B2	5/2010	Evans et al.	2008/0171612 A1	7/2008	Serrano	
D618,747 S	6/2010	Schweigert	2008/0188322 A1	8/2008	Anderson	
D618,753 S *	6/2010	Jertson	2009/0275419 A1	11/2009	Cackett	
D618,754 S	6/2010	Schweigert	2010/0267461 A1	10/2010	Stites	
D621,892 S	8/2010	Kohnno	2011/0053702 A1	3/2011	Stites et al.	
D631,111 S *	1/2011	Bennett	2012/0252597 A1	10/2012	Thomas	
7,892,111 B2	2/2011	Morales	2013/0029781 A1	1/2013	Beno et al.	

* cited by examiner

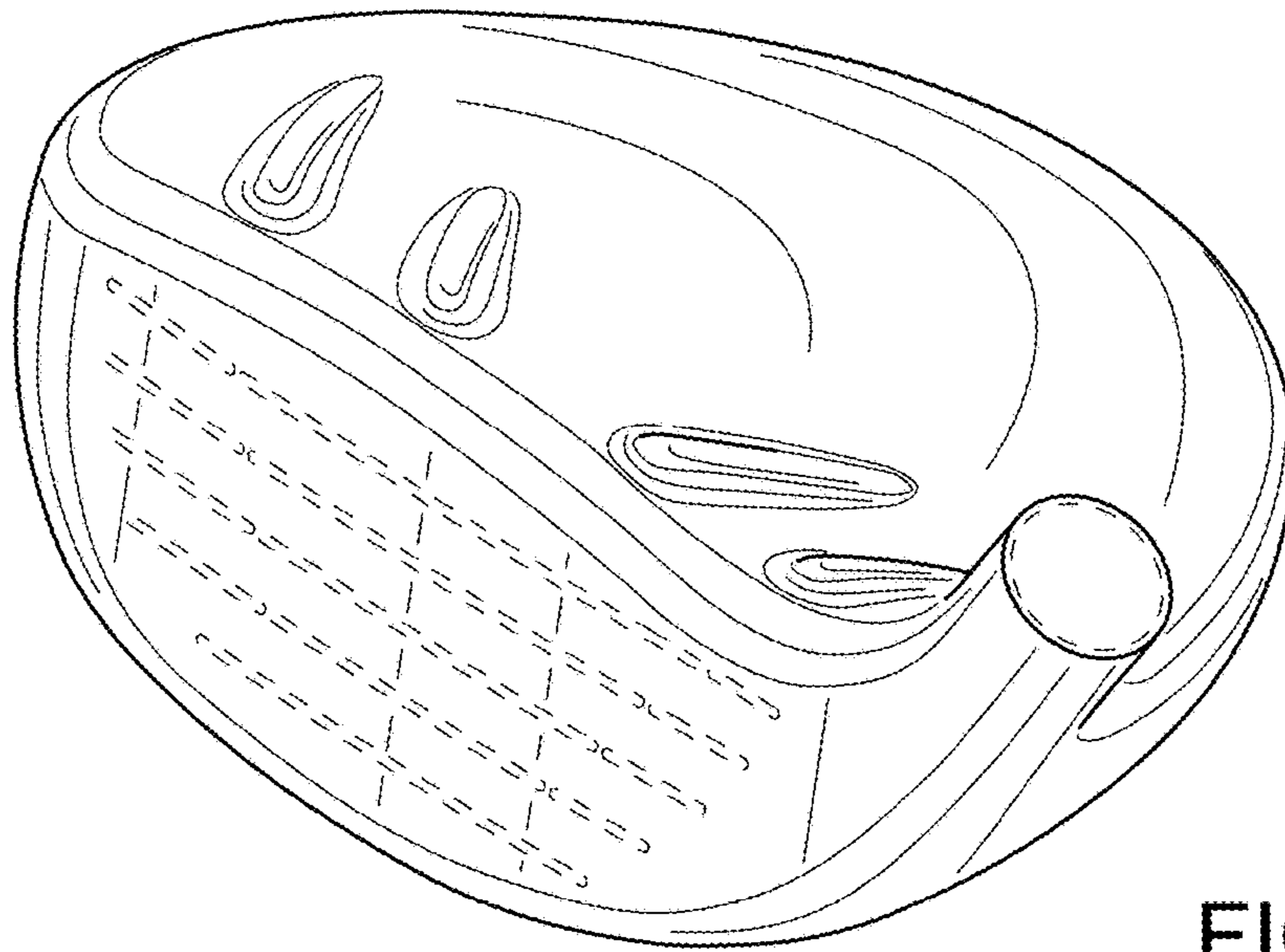


FIG. 1

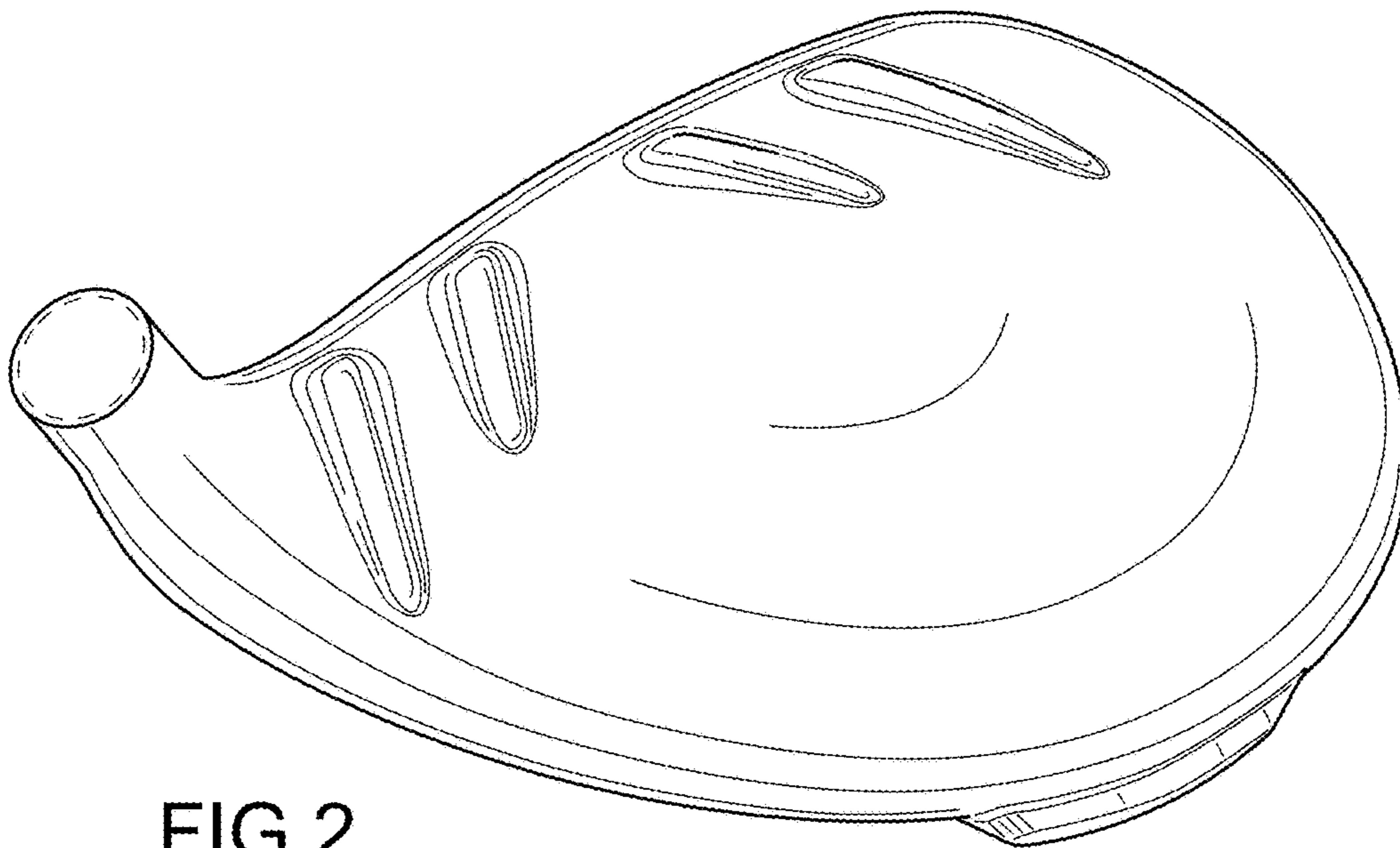


FIG. 2

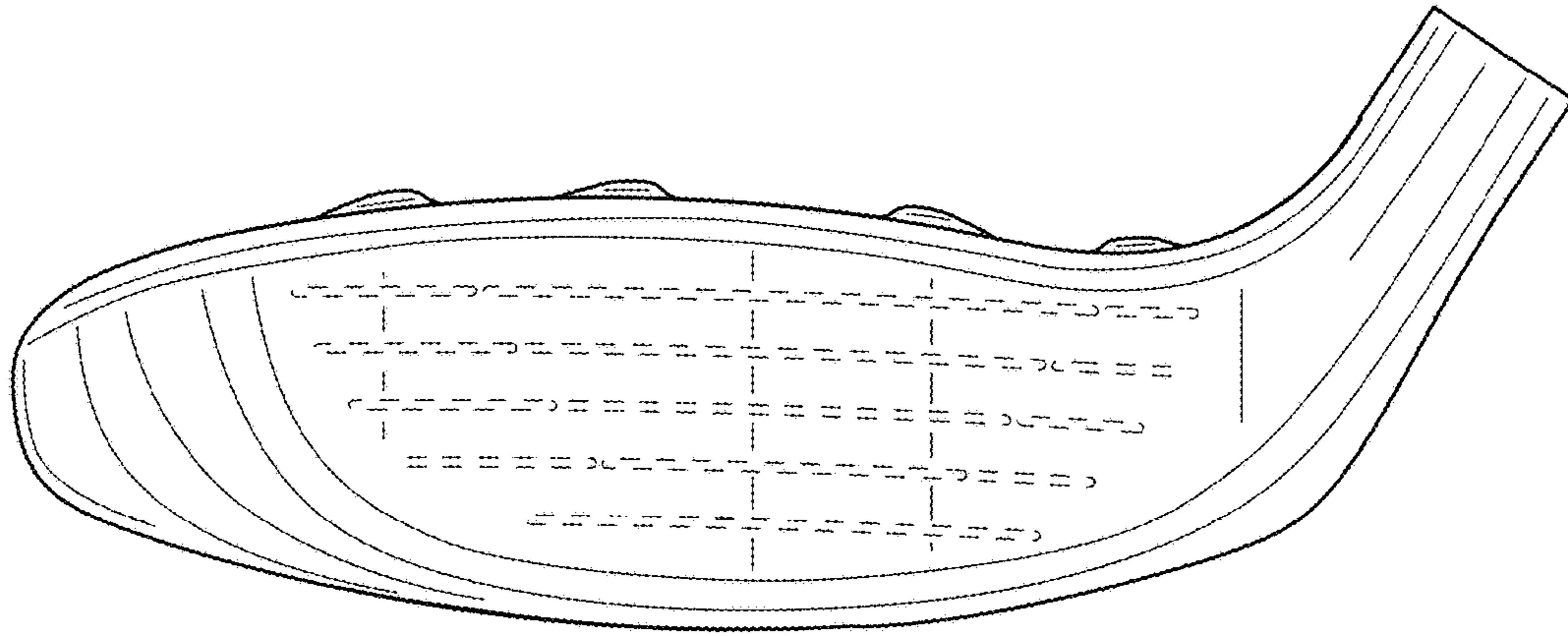


FIG.3

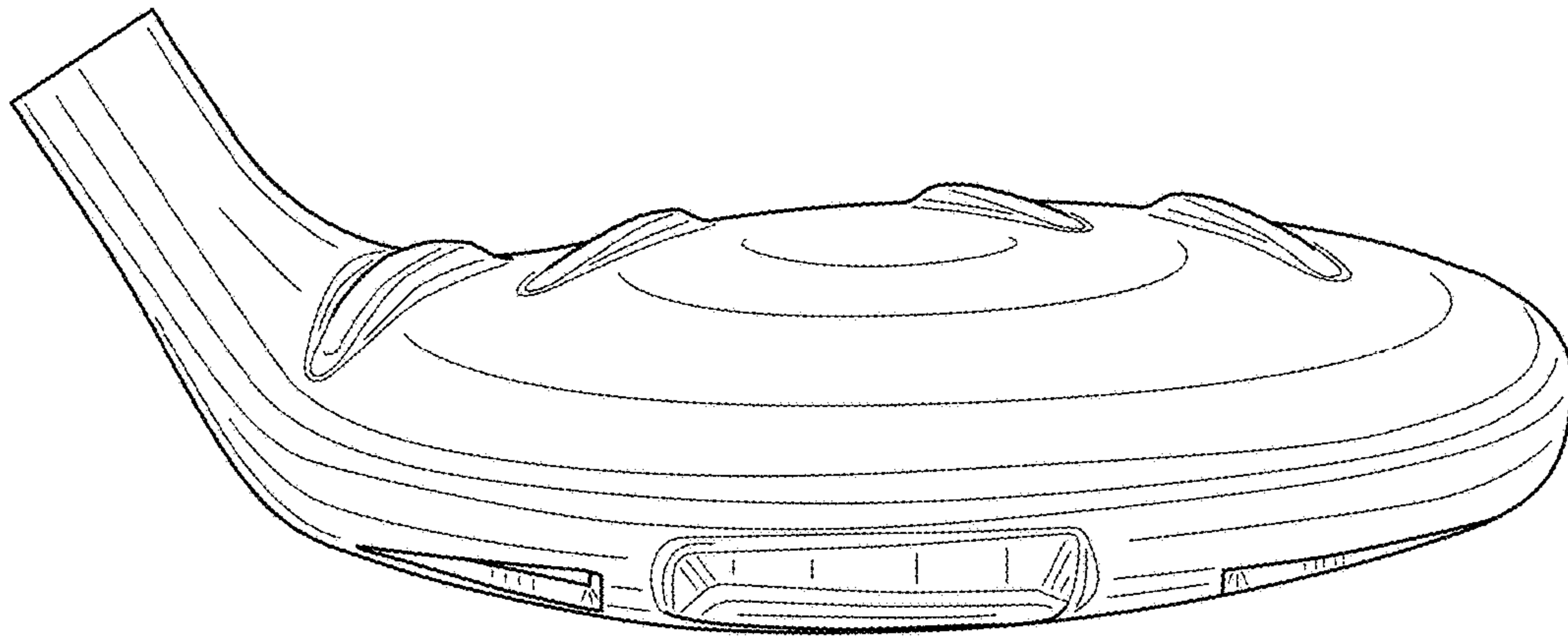


FIG.4

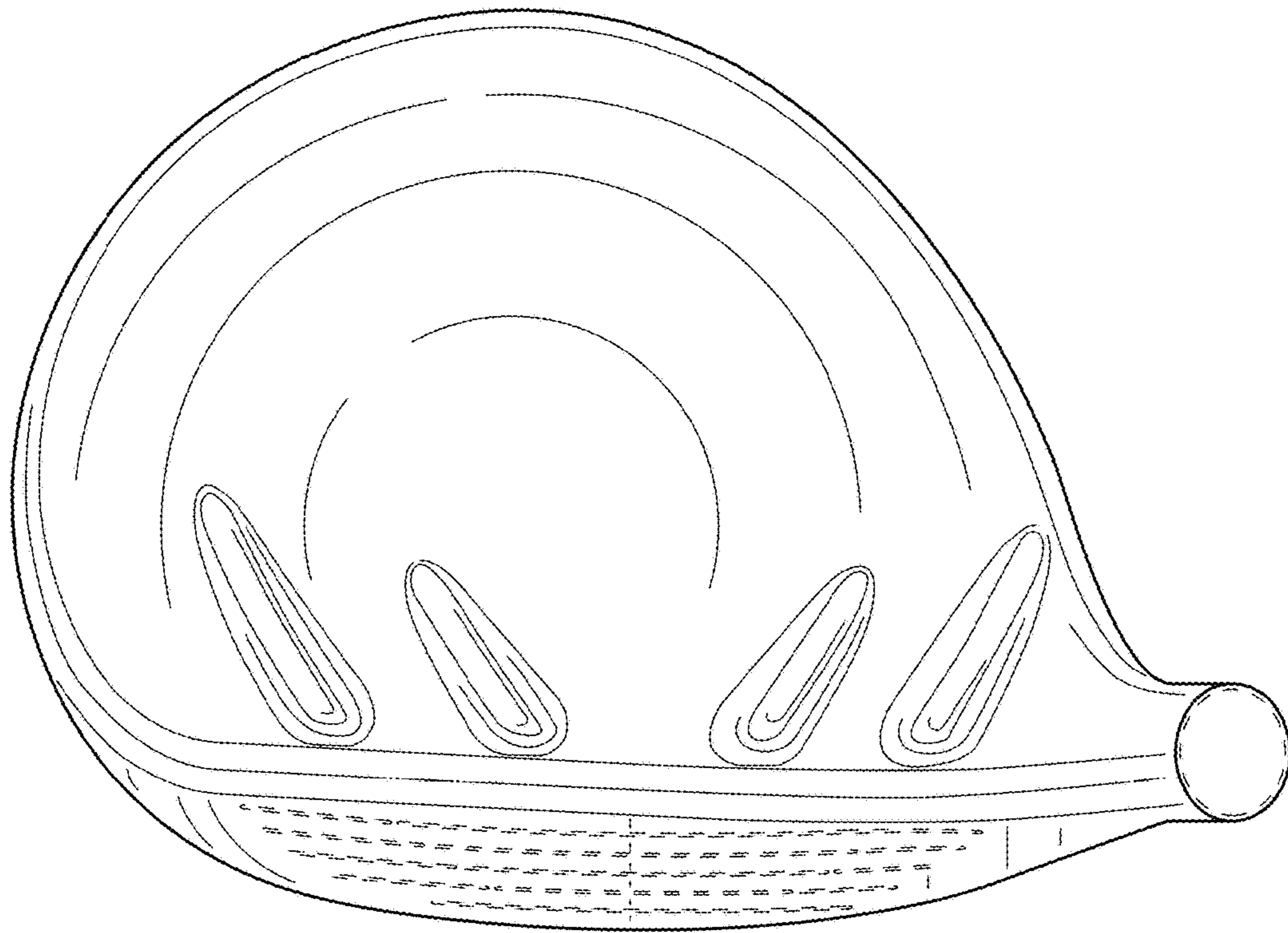


FIG.5

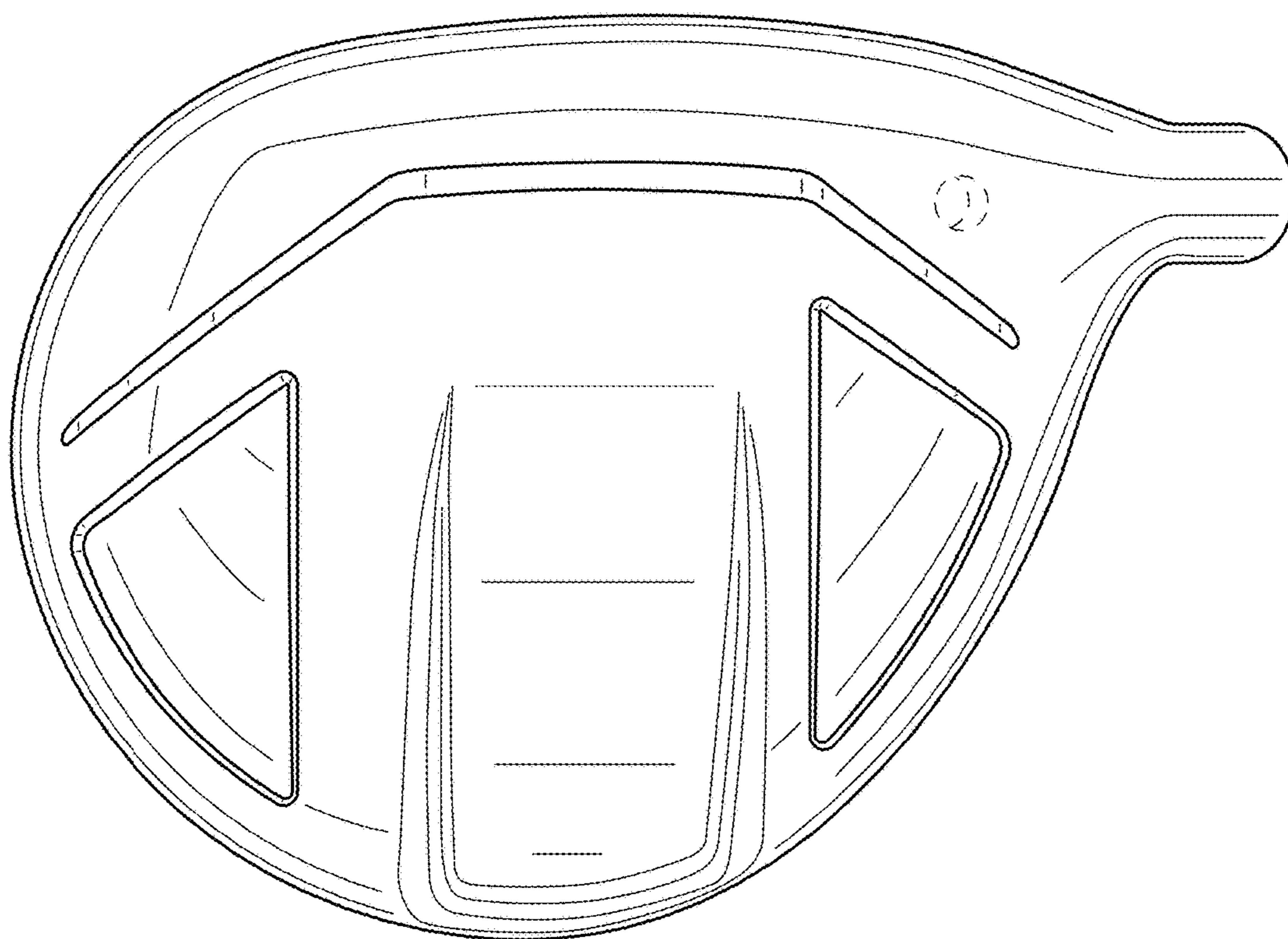


FIG.6

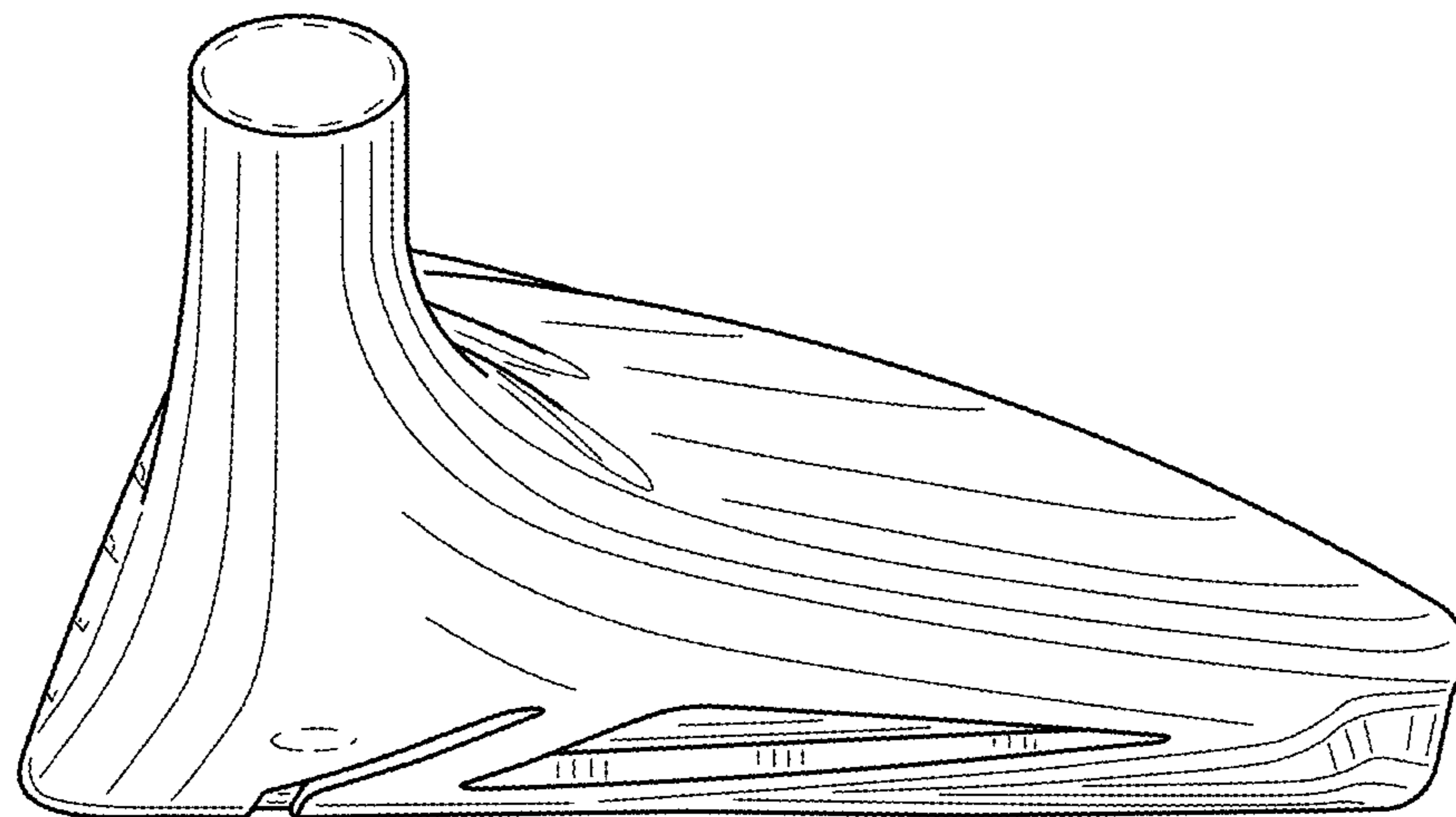


FIG. 7

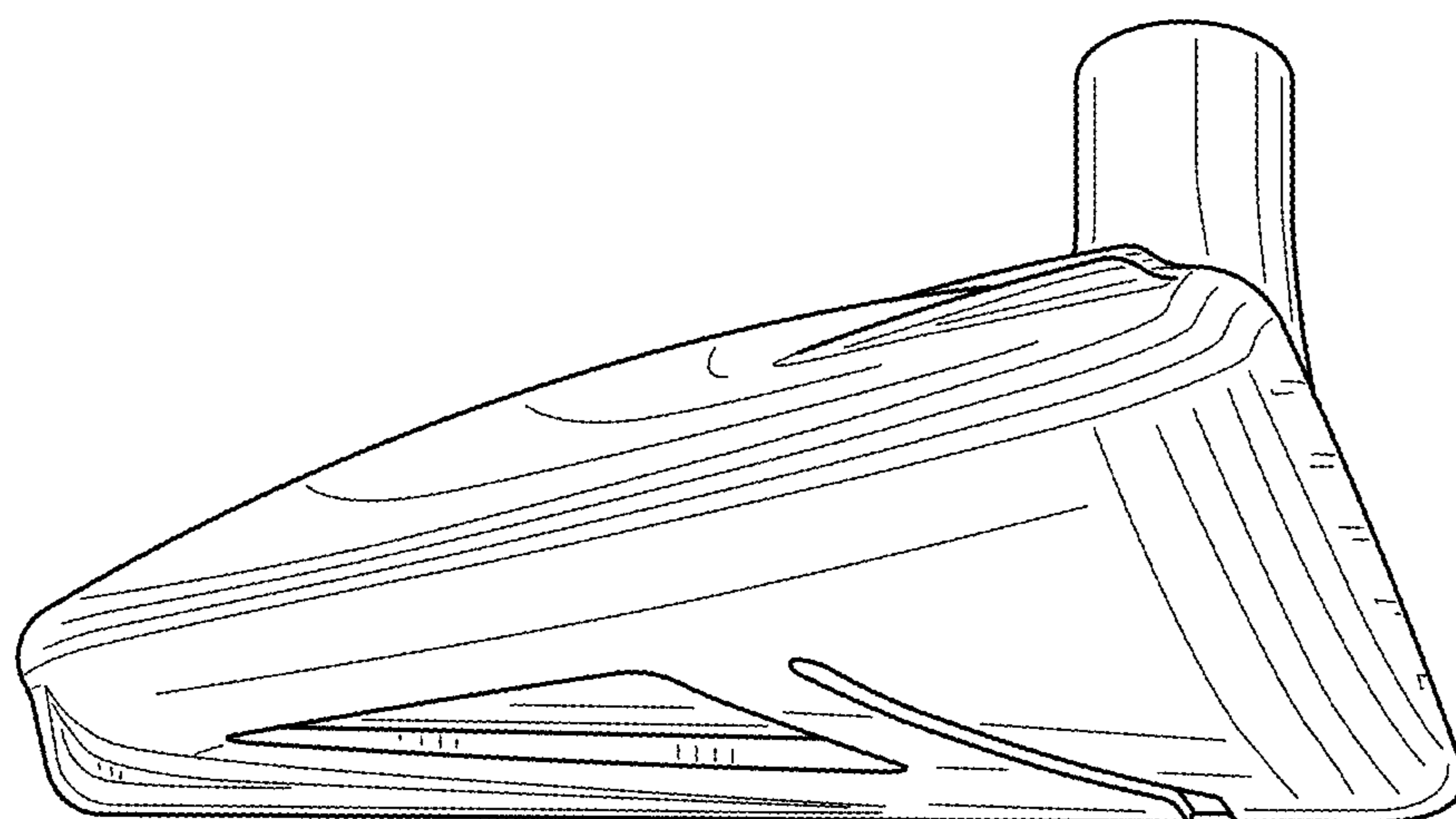


FIG. 8