



US00D837912S

(12) **United States Design Patent** (10) **Patent No.:** **US D837,912 S**  
**Clarke et al.** (45) **Date of Patent:** **\*\* Jan. 8, 2019**

(54) **GOLF CLUB HEAD**  
(71) Applicant: **Karsten Manufacturing Corporation**,  
Phoenix, AZ (US)  
(72) Inventors: **Jacob T. Clarke**, Phoenix, AZ (US);  
**Murphy Alexander**, Phoenix, AZ (US);  
**Daniel K. Lee**, Chandler, AZ (US);  
**Cory S. Bacon**, Cave Creek, AZ (US);  
**John A. Solheim**, Phoenix, AZ (US)  
(73) Assignee: **Karsten Manufacturing Corporation**,  
Phoenix, AZ (US)

D447,197 S \* 8/2001 Mills ..... D21/736  
D455,805 S \* 4/2002 Mills ..... D21/736  
6,379,259 B1 4/2002 Opie  
D459,422 S \* 6/2002 Fisher ..... D21/742  
D474,253 S \* 5/2003 Mills ..... D21/736  
D474,520 S \* 5/2003 Mills ..... D21/744  
D483,823 S \* 12/2003 Swist ..... D21/736  
6,878,071 B1 4/2005 Schwieger  
6,902,496 B2 6/2005 Solheim  
D527,777 S 9/2006 Solheim  
D529,110 S \* 9/2006 Hueber ..... D21/746  
D532,847 S 11/2006 Rollinson  
D533,244 S 12/2006 Kroll  
7,255,650 B2 8/2007 Bryant  
D564,607 S 3/2008 Oldknow et al.

(Continued)

(\*\*) Term: **15 Years**

(21) Appl. No.: **29/617,885**

(22) Filed: **Sep. 15, 2017**

(51) **LOC (11) Cl.** ..... **21-02**

(52) **U.S. Cl.**  
USPC ..... **D21/736**

(58) **Field of Classification Search**  
USPC ..... D21/736-746  
CPC ..... A63B 53/00; A63B 53/04; A63B 53/007;  
A63B 53/065; A63B 53/0487; A63B  
60/00; A63B 60/46

See application file for complete search history.

(56) **References Cited**

**U.S. PATENT DOCUMENTS**

D212,890 S \* 12/1968 Rose ..... D21/739  
D255,373 S 6/1980 Solheim  
D316,129 S 4/1991 Bryson  
D341,405 S 11/1993 Solheim  
D402,325 S \* 12/1998 Drossos ..... D21/742  
D402,722 S \* 12/1998 Rollinson ..... D21/742  
D414,830 S \* 10/1999 Cleveland ..... D21/736  
D439,295 S \* 3/2001 Sizemore, Jr. .... D21/736  
D445,860 S \* 7/2001 Mills ..... D21/736  
D445,861 S \* 7/2001 Mills ..... D21/736

**FOREIGN PATENT DOCUMENTS**

JP 1344471 11/2008  
JP 1481918 8/2014

*Primary Examiner* — Mitchell I. Siegel

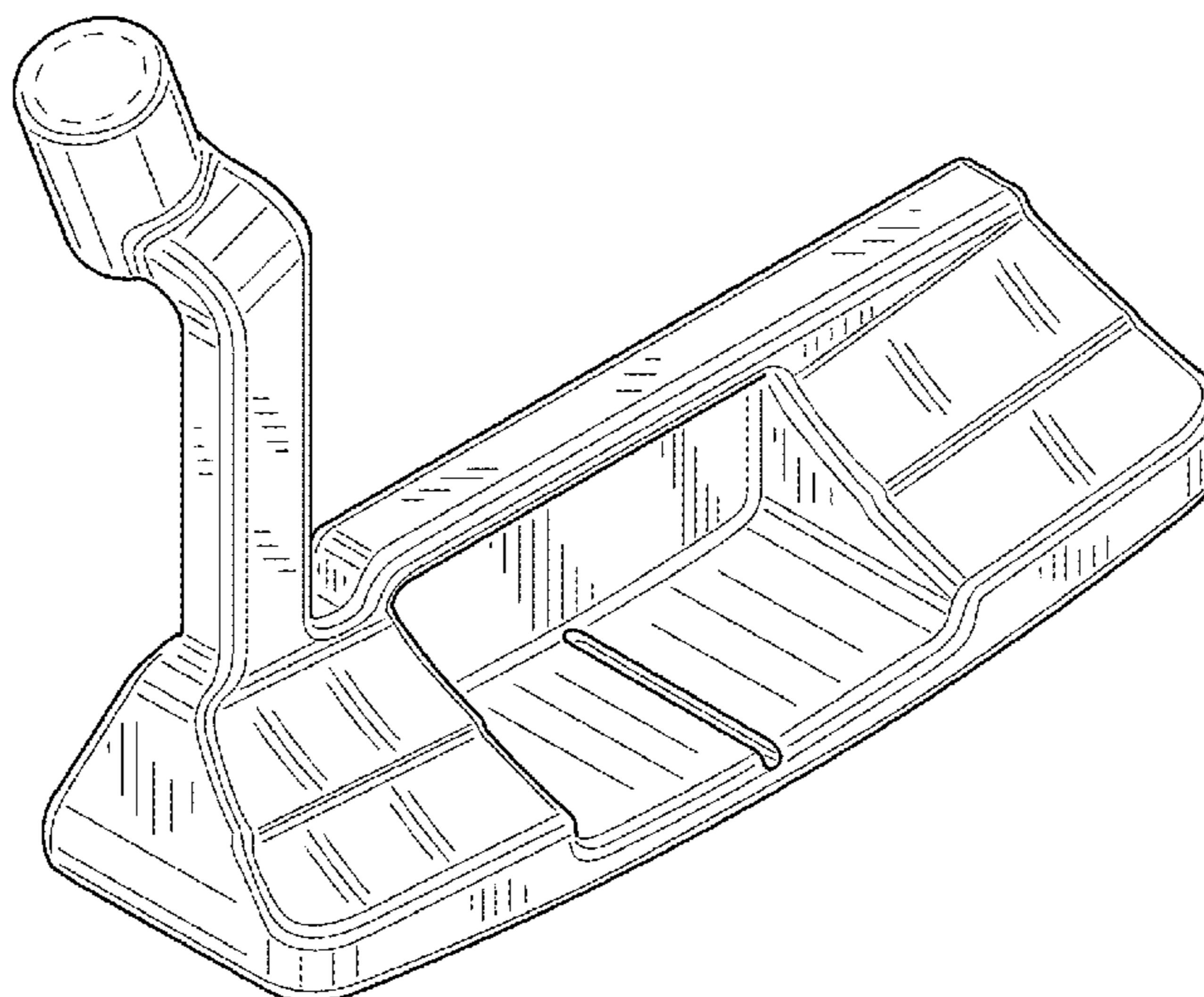
(57) **CLAIM**

The ornamental design for a golf club head, as shown and described.

**DESCRIPTION**

FIG. 1 is a front perspective view of a golf club head;  
FIG. 2 is a rear perspective view of the golf club head of FIG. 1;  
FIG. 3 is a front view of the golf club head of FIG. 1;  
FIG. 4 is a rear view of the golf club head of FIG. 1;  
FIG. 5 is a top view of the golf club head of FIG. 1;  
FIG. 6 is a bottom view of the golf club head of FIG. 1;  
FIG. 7 is a heel view of the golf club head of FIG. 1; and,  
FIG. 8 is a toe view of the golf club head of FIG. 1.  
The broken lines shown in one or more of the figures are for illustrative purposes only and form no part of the claimed design.

**1 Claim, 4 Drawing Sheets**



(56)

**References Cited**

U.S. PATENT DOCUMENTS

|           |     |         |                  |         |
|-----------|-----|---------|------------------|---------|
| D581,473  | S   | 11/2008 | Thomas           |         |
| D588,658  | S   | 3/2009  | De La Cruz       |         |
| D601,214  | S   | 9/2009  | Serrano et al.   |         |
| D623,709  | S   | 9/2010  | Serrano et al.   |         |
| 7,815,515 | B1  | 10/2010 | Hunt             |         |
| D640,341  | S   | 6/2011  | Foster et al.    |         |
| 7,959,520 | B2  | 6/2011  | Campadore et al. |         |
| D641,441  | S * | 7/2011  | Hilton .....     | D21/743 |
| D650,455  | S   | 12/2011 | Serrano          |         |
| D652,465  | S   | 1/2012  | Rollinson        |         |
| D682,376  | S   | 5/2013  | Oliveiro         |         |
| D689,574  | S   | 9/2013  | Rollinson        |         |
| D723,641  | S   | 3/2015  | Serrano et al.   |         |
| D761,367  | S   | 7/2016  | Bruce            |         |
| D774,151  | S   | 12/2016 | Serrano et al.   |         |
| D784,468  | S * | 4/2017  | Rollinson .....  | D21/743 |
| D792,537  | S * | 7/2017  | Clarke .....     | D21/744 |
| D796,599  | S   | 9/2017  | Serrano et al.   |         |
| D797,220  | S * | 9/2017  | Serrano .....    | D21/743 |
| D818,067  | S * | 5/2018  | Toulon .....     | D21/759 |

\* cited by examiner

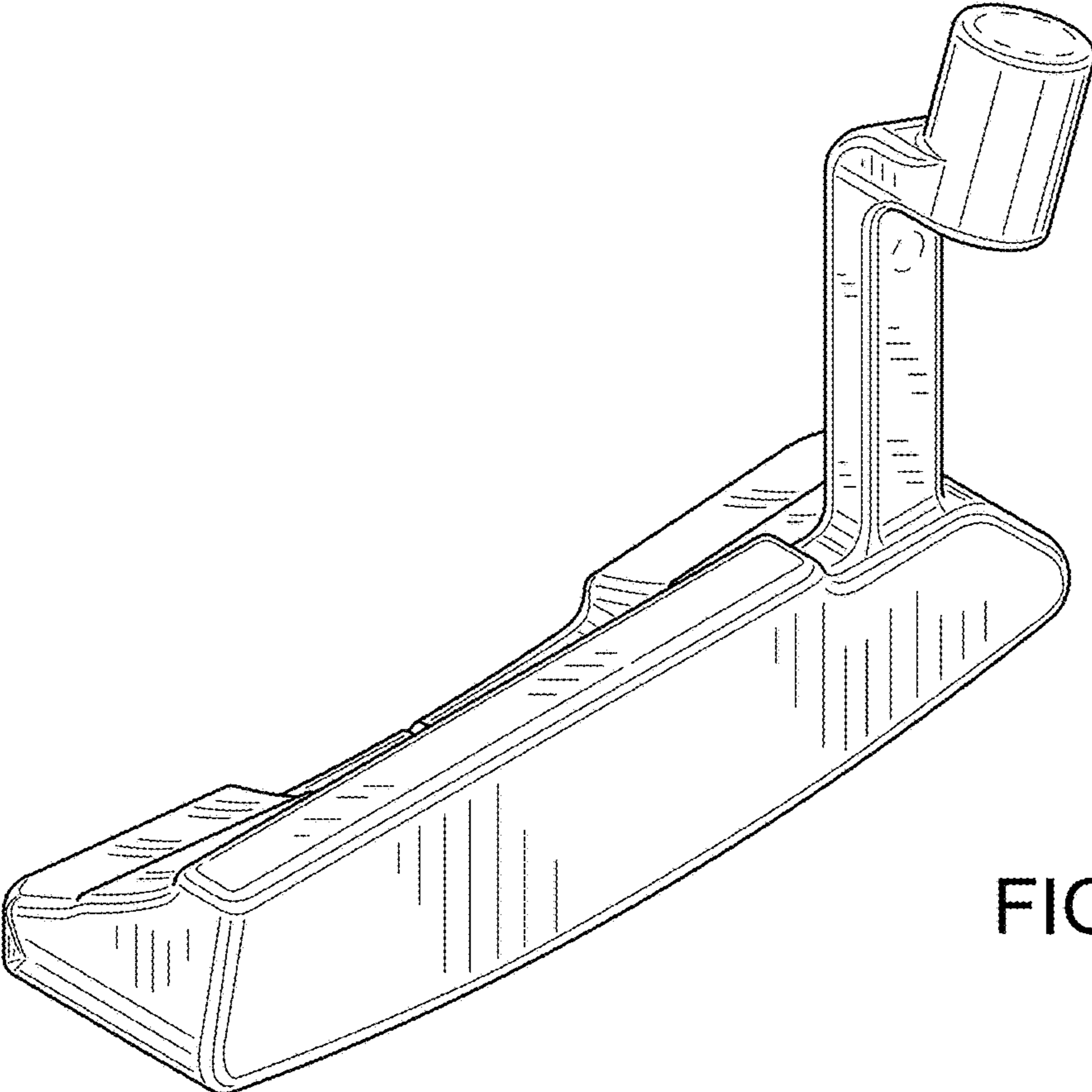


FIG. 1

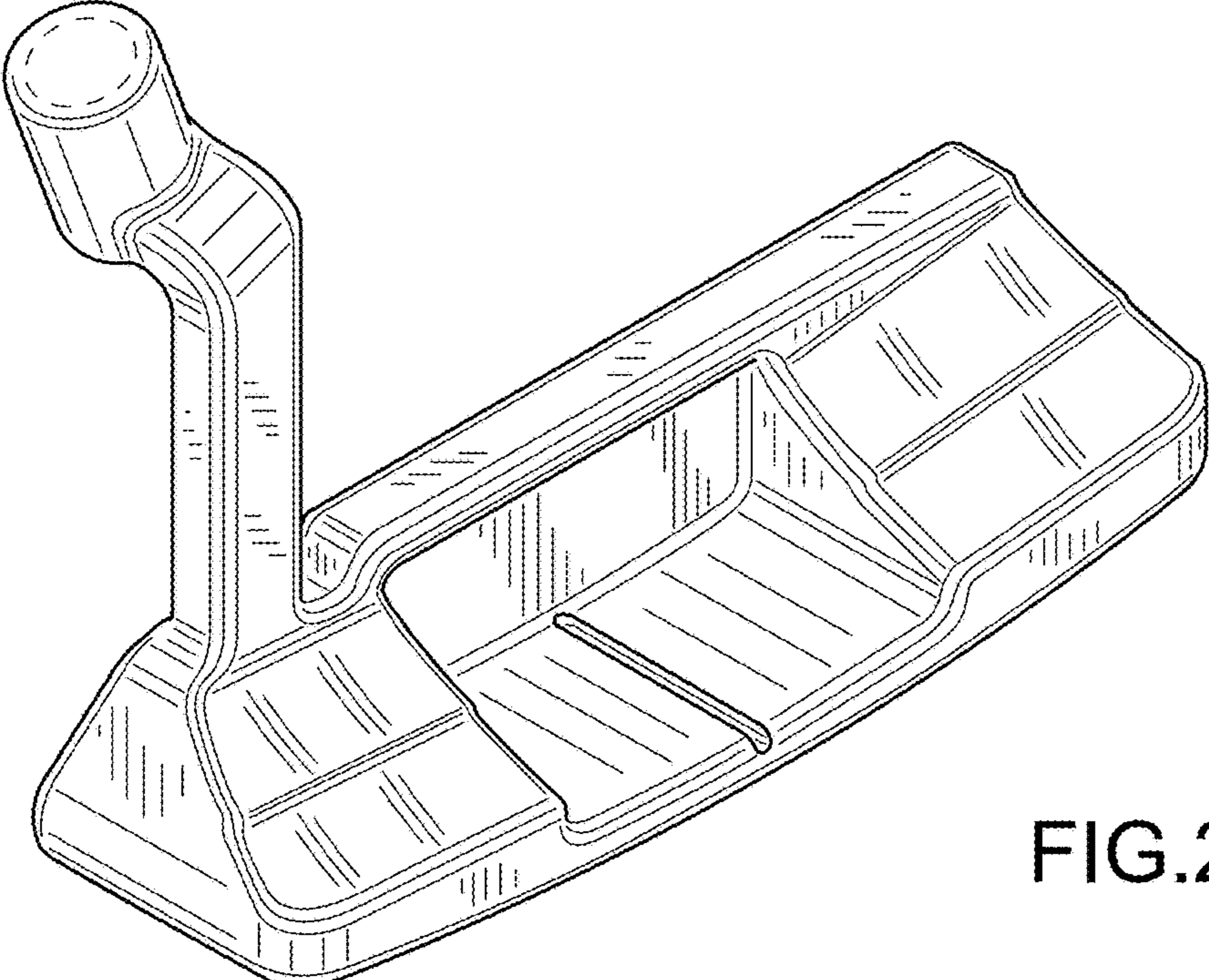


FIG. 2



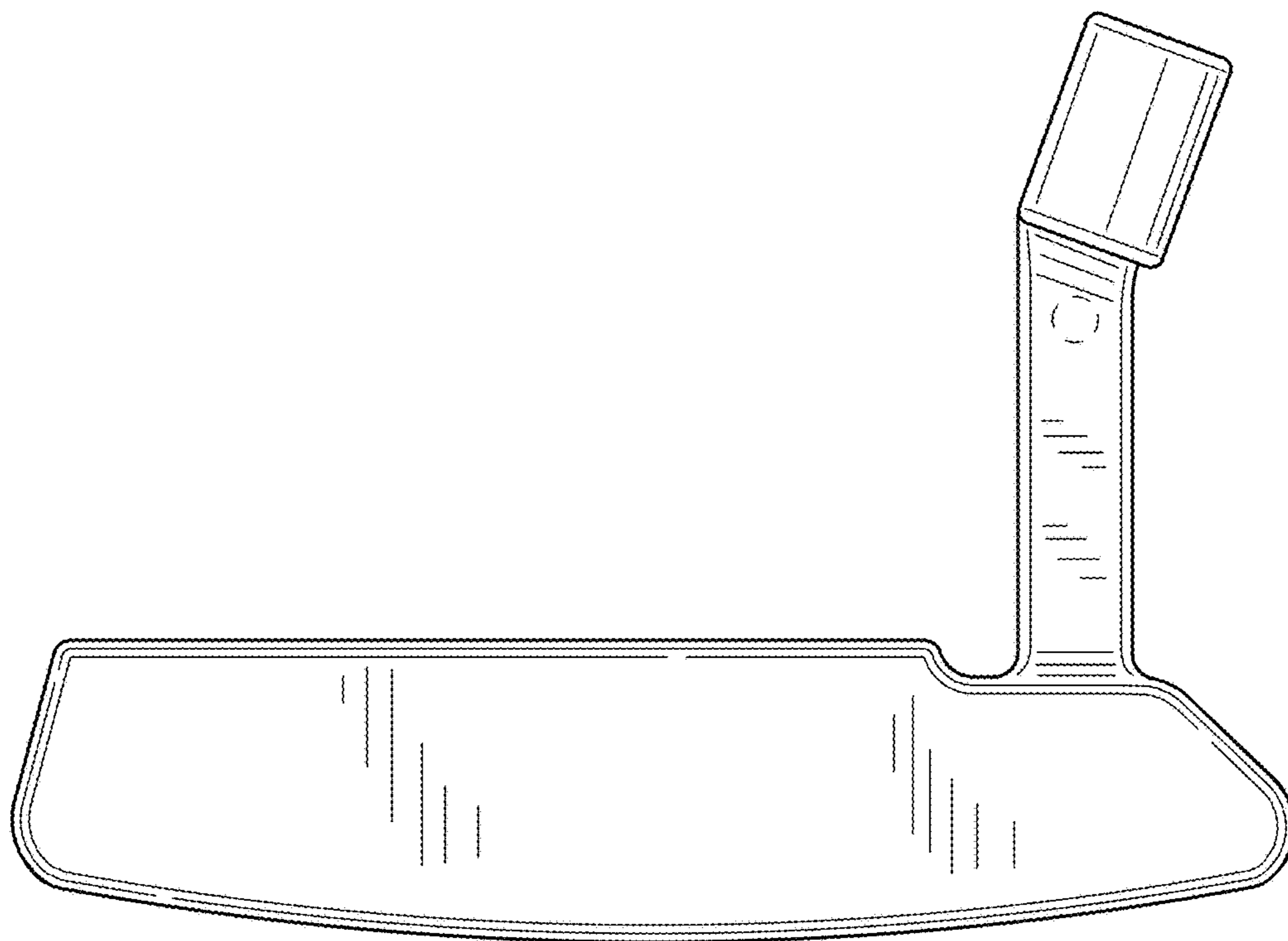


FIG.3

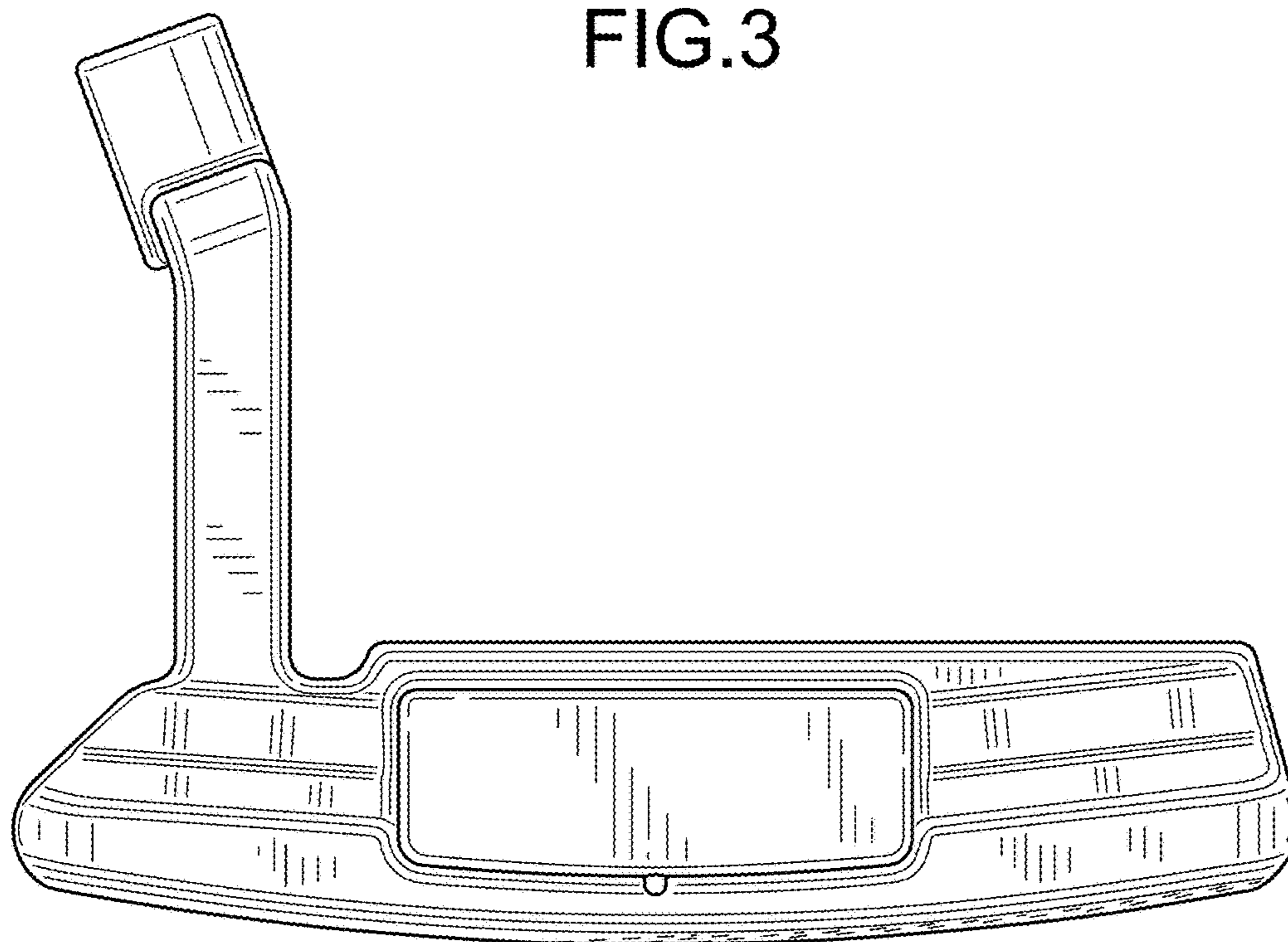


FIG.4

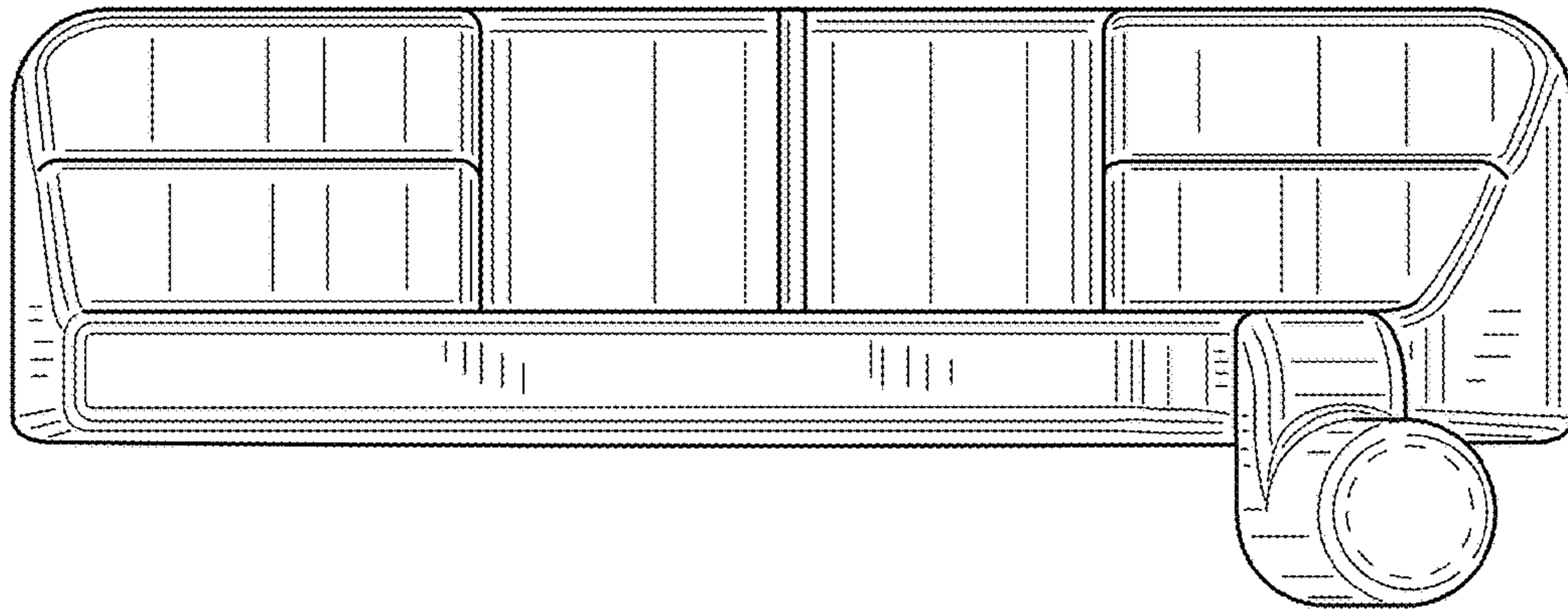


FIG. 5

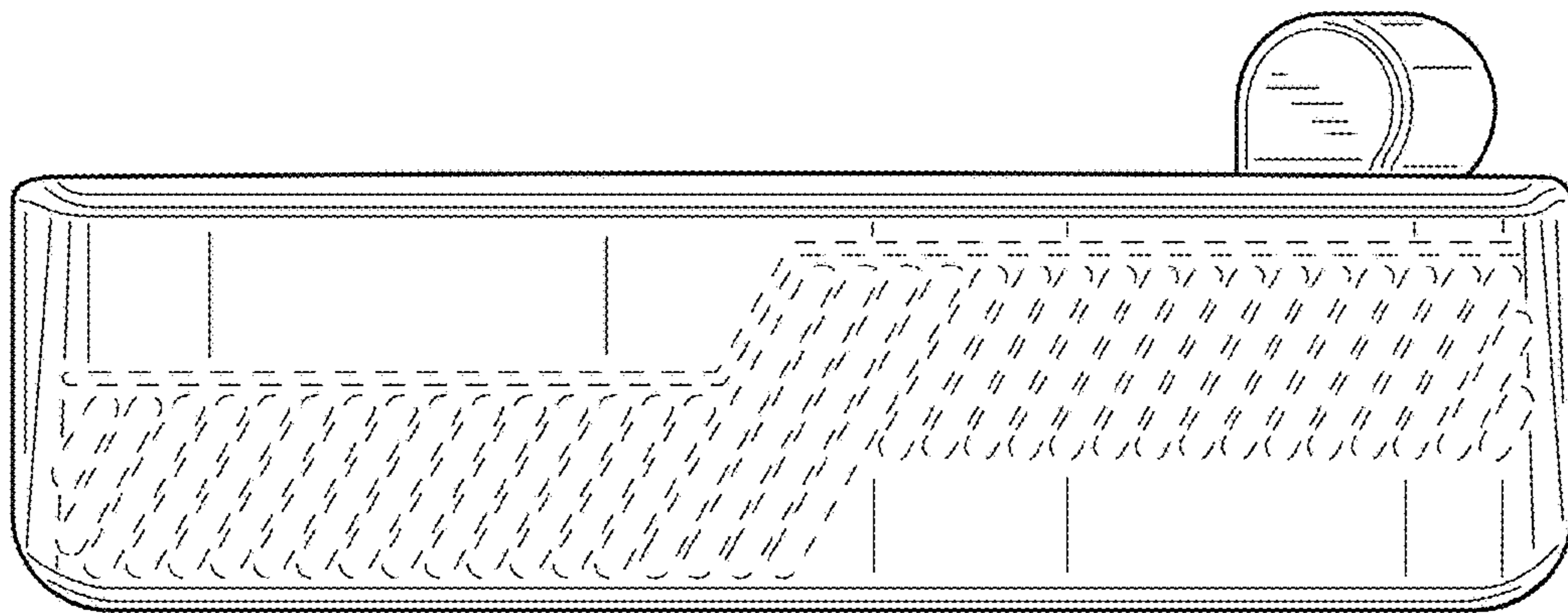


FIG. 6

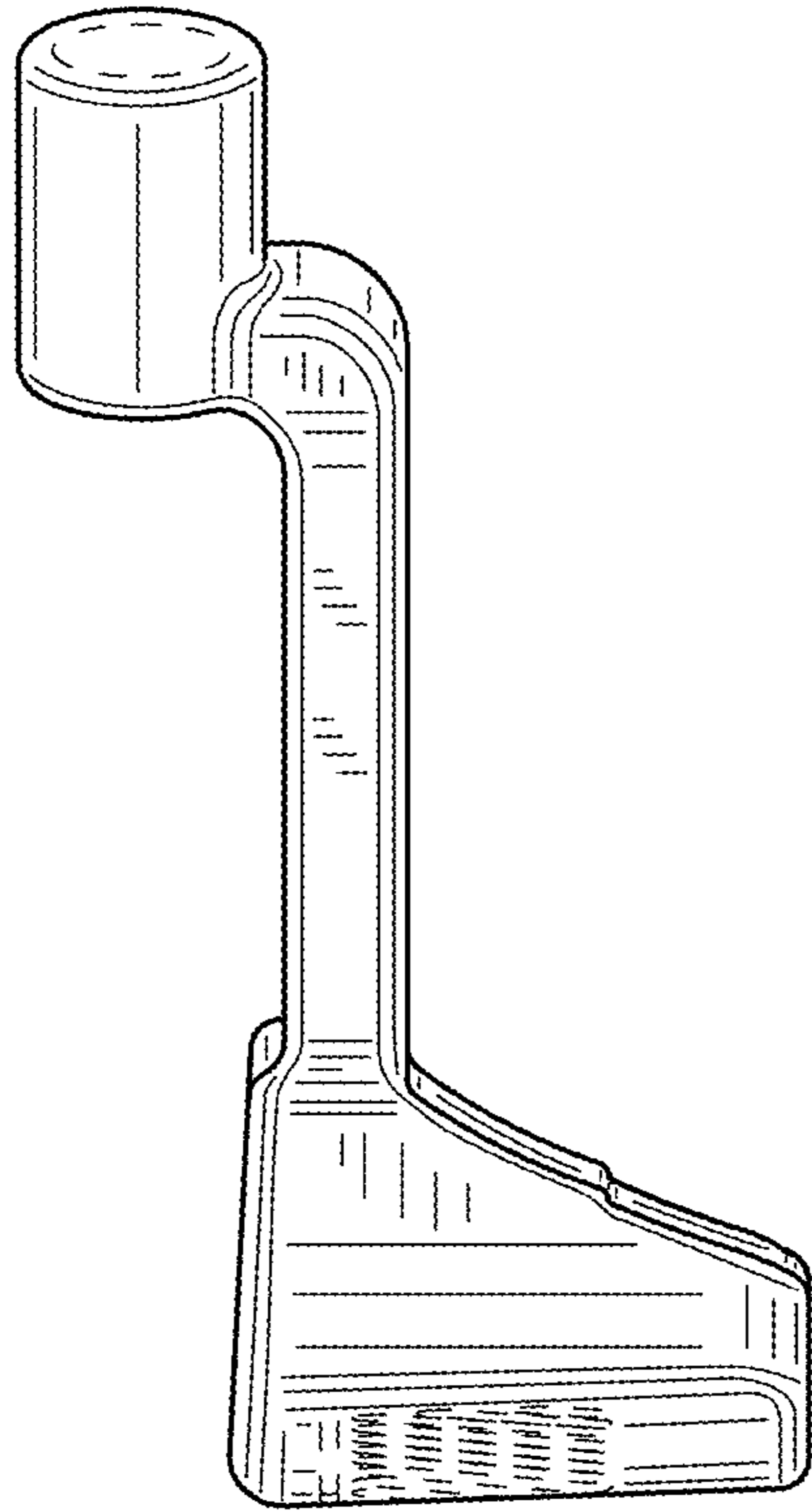


FIG. 7

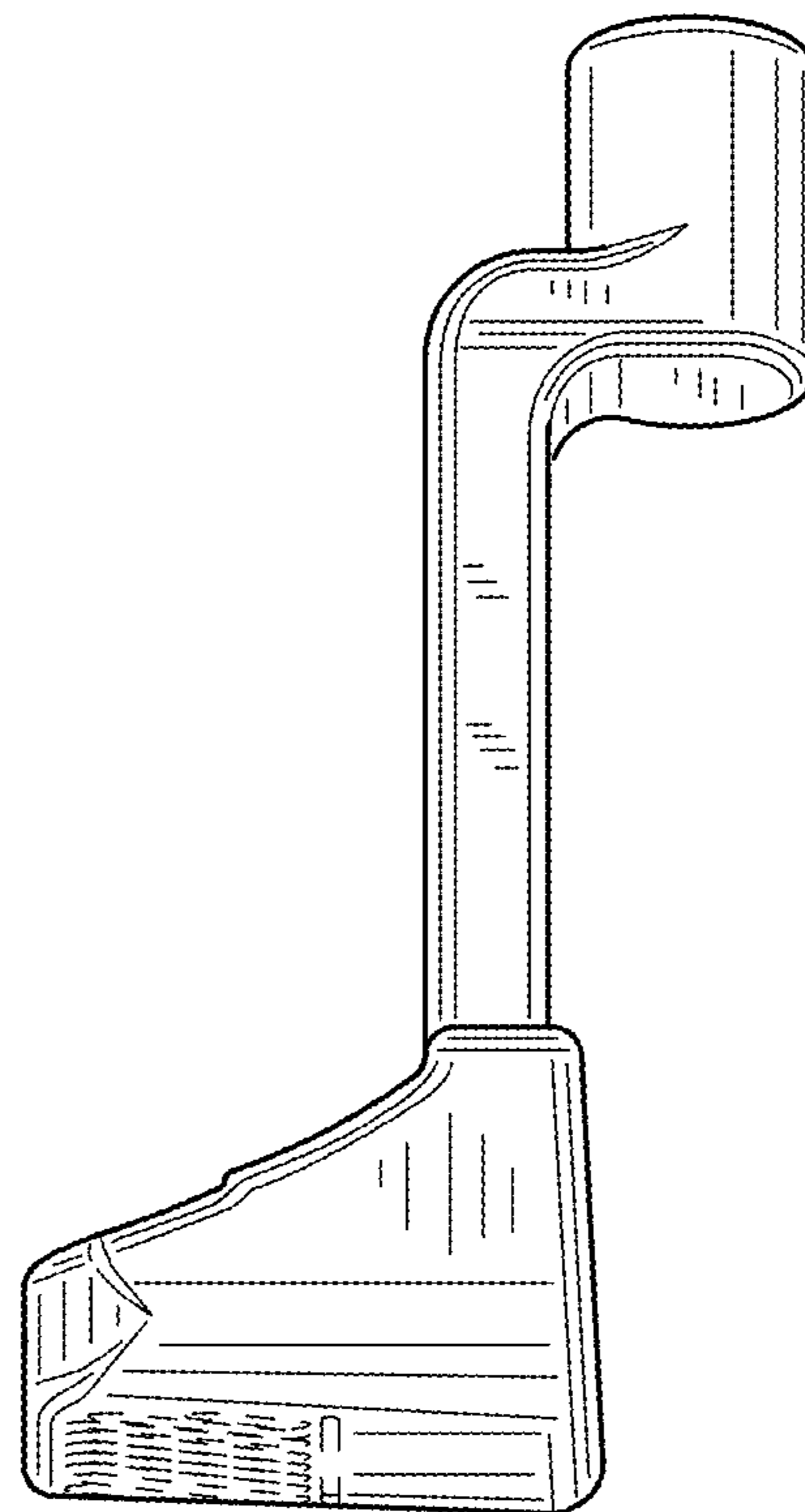


FIG. 8