



US00D837910S

(12) **United States Design Patent**
Norcross

(10) **Patent No.:** **US D837,910 S**
(45) **Date of Patent:** **** Jan. 8, 2019**

- (54) **SPORT BALL HOLDER**
- (71) Applicant: **Janet L. Norcross**, Frederick, MD (US)
- (72) Inventor: **Janet L. Norcross**, Frederick, MD (US)
- (**) Term: **15 Years**
- (21) Appl. No.: **29/638,429**
- (22) Filed: **Feb. 27, 2018**
- (51) **LOC (11) Cl.** **21-02**
- (52) **U.S. Cl.**
USPC **D21/715**; D11/164; D8/374; D30/129
- (58) **Field of Classification Search**
USPC D21/698, 699, 705, 707-709, 713-718,
D21/722, 780, 787-789, 791, 799.1, 804;
D8/350, 352, 374; D30/129; D11/131,
D11/164
CPC ... A63B 37/00; A63B 37/0022; A63B 37/001;
A63B 37/0011; A63B 37/12; A63B
37/14; A63B 39/00; A63B 39/06; A63B
41/00; A63B 43/00; A63B 43/008; A63B
43/02; A63B 43/06; A63B 47/00; A63B
57/20; A63B 59/20; A63B 63/00; A63B
2063/001; A63B 67/10; A63B 2069/0008;
A63B 69/002; A63B 69/345; A63B
69/34; A63B 69/201; A63B 69/205; A63B
71/14; A63B 71/143; A63B 71/145; A65B
69/00
See application file for complete search history.

- 1,636,655 A * 7/1927 Young A63B 57/10
473/387
- 1,861,095 A * 5/1932 Schacht A47B 91/12
16/42 R
- D110,902 S * 8/1938 Loesch 220/630
(Continued)

Primary Examiner — Michael A. Pratt
Assistant Examiner — Wendy Arminio
(74) *Attorney, Agent, or Firm* — Leveque IP Law, P.C.

(57) **CLAIM**

The ornamental design for a sport ball holder, as shown and described.

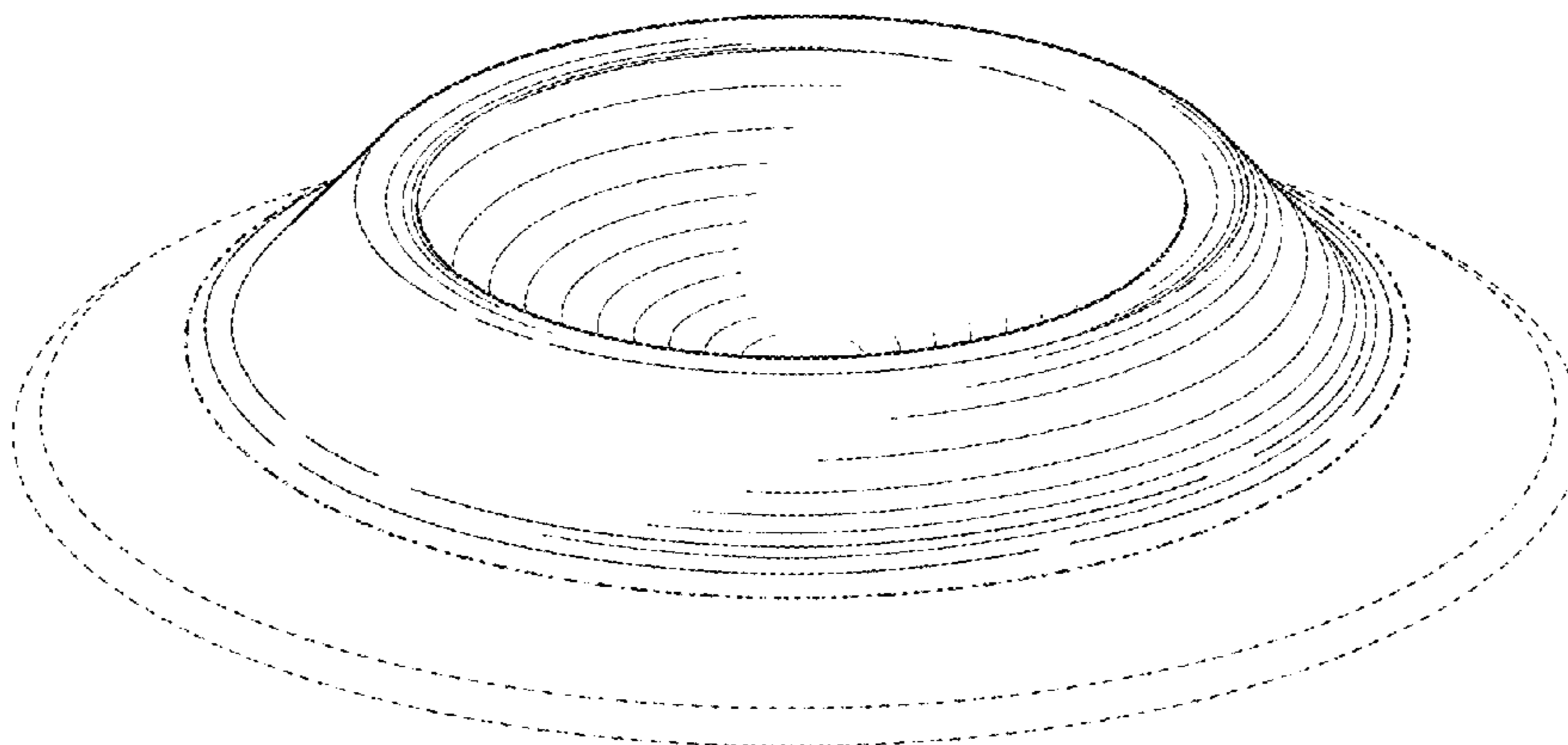
DESCRIPTION

FIG. 1 is a top perspective view of a first embodiment of a sport ball holder;
 FIG. 2 is a top view thereof;
 FIG. 3 is a bottom view thereof;
 FIG. 4 is a front view thereof;
 FIG. 5 is a cross-sectional view thereof taken in the direction of line 5-5 in FIG. 2;
 FIG. 6 is a top perspective view of the sport ball holder of FIG. 1 shown in a position of use with an unclaimed ball drawn in broken lines placed into the sport ball holder;
 FIG. 7 is a top perspective view of a second embodiment of a sport ball holder;
 FIG. 8 is a top view thereof;
 FIG. 9 is a top perspective view of a third embodiment of a sport ball holder; and,
 FIG. 10 is a top view thereof.
 The dot-dash-dot broken lines in the drawings depict the boundaries of the claim and form no part thereof. The dash-dash broken lines in FIG. 6 illustrating a ball depict environment and form no part of the claimed design. All other broken lines depict portions of the sport ball holder that form no part of the claimed design. The left side view, right side view, and rear view of the sport ball holder of FIG. 1 are omitted because they are identical to the front view shown in FIG. 4.

(56) **References Cited**
U.S. PATENT DOCUMENTS

- D33,398 S * 10/1900 Herrick 473/387
- D38,718 S * 8/1907 Barron D30/129
- D44,996 S * 12/1913 Buser D8/374
- 1,152,649 A * 9/1915 Luellen A63B 57/10
473/388
- 1,564,212 A * 12/1925 Decker A63B 57/10
473/390

1 Claim, 5 Drawing Sheets



(56)

References Cited

U.S. PATENT DOCUMENTS

D130,805	S	*	12/1941	Roberts	D21/715
D167,602	S	*	9/1952	Auer	D8/374
D167,603	S	*	9/1952	Auer	D8/374
D167,876	S	*	9/1952	Auer	D8/374
D169,410	S	*	4/1953	Auer	D8/374
2,867,940	A	*	1/1959	Pitton	A47K 5/03 220/606
D262,932	S	*	2/1982	Daenen	D7/392.1
4,726,553	A	*	2/1988	Wischusen, III	..	A47G 23/0216 215/393
D334,880	S	*	4/1993	Davey	D30/129
D339,392	S	*	9/1993	Sims	D21/715
D370,868	S	*	6/1996	Phelps	D11/131
6,596,374	B1	*	7/2003	Adjeleian	B60N 3/103 206/490
D590,551	S	*	4/2009	Sperbeck	D30/129
D623,798	S	*	9/2010	Huynh	D2/886
D649,442	S	*	11/2011	Gardner	D8/374
D656,997	S	*	4/2012	Levin	D21/398
D660,136	S	*	5/2012	Jarowenko	D8/374
D733,263	S	*	6/2015	Fujii	D23/262

* cited by examiner

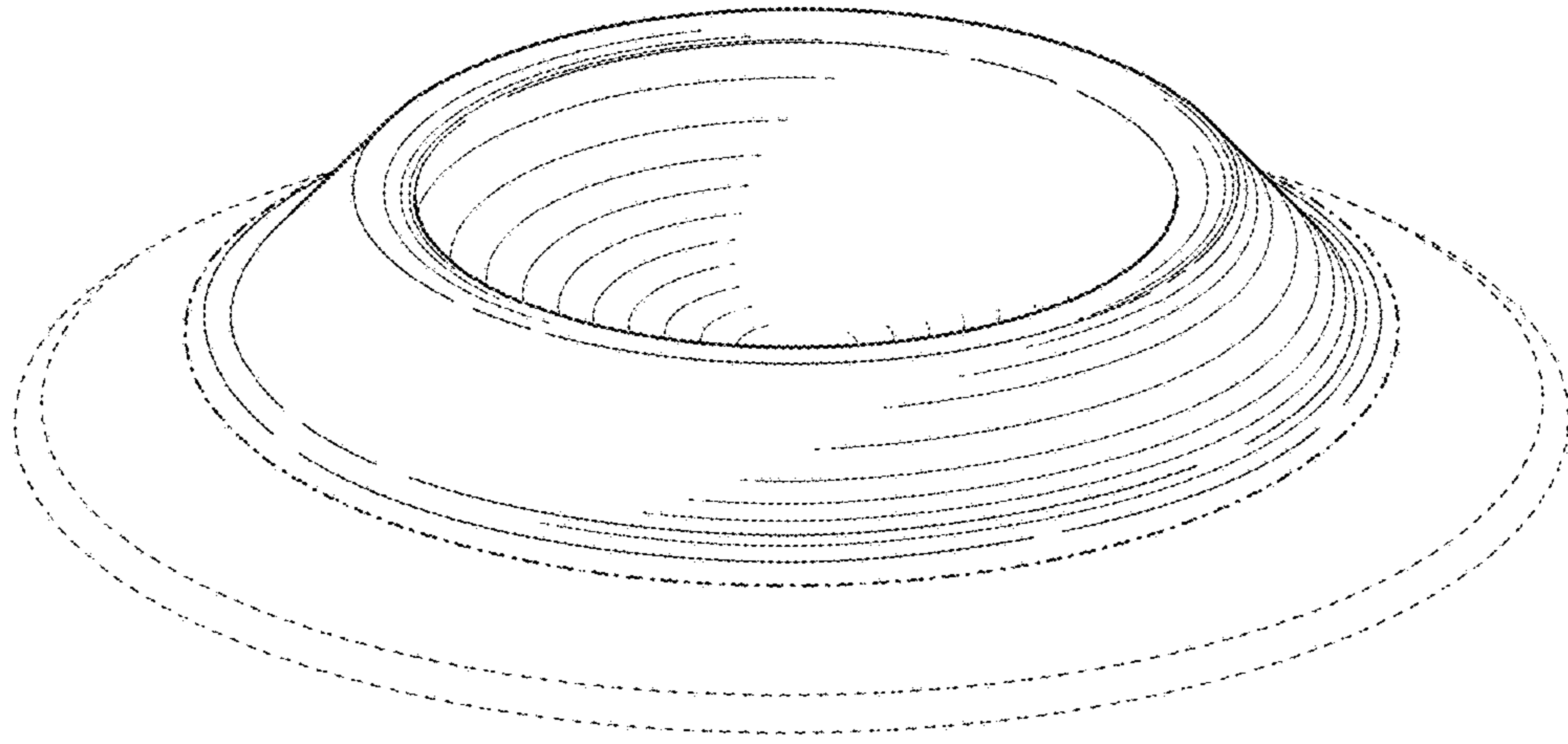


FIG. 1

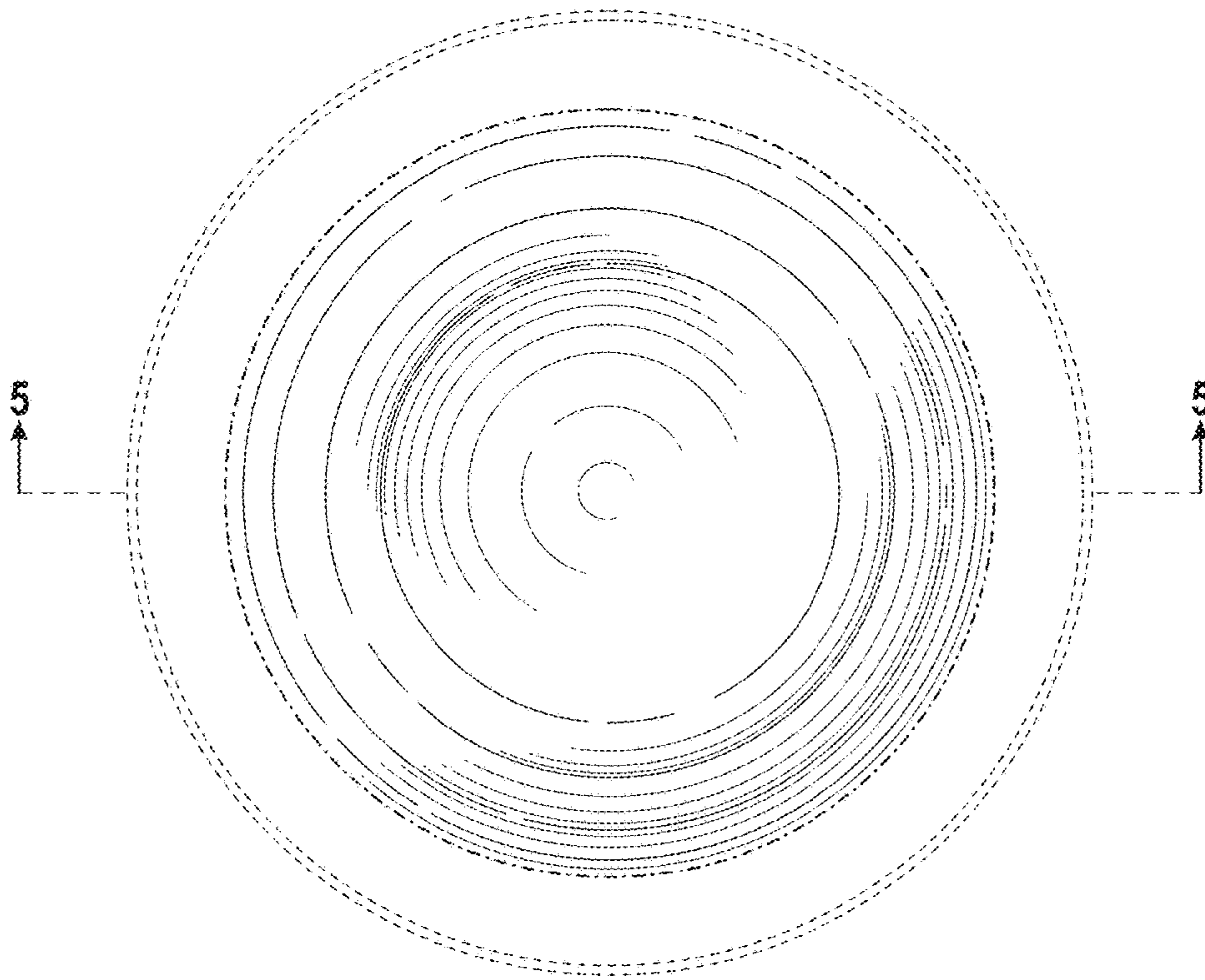


FIG. 2

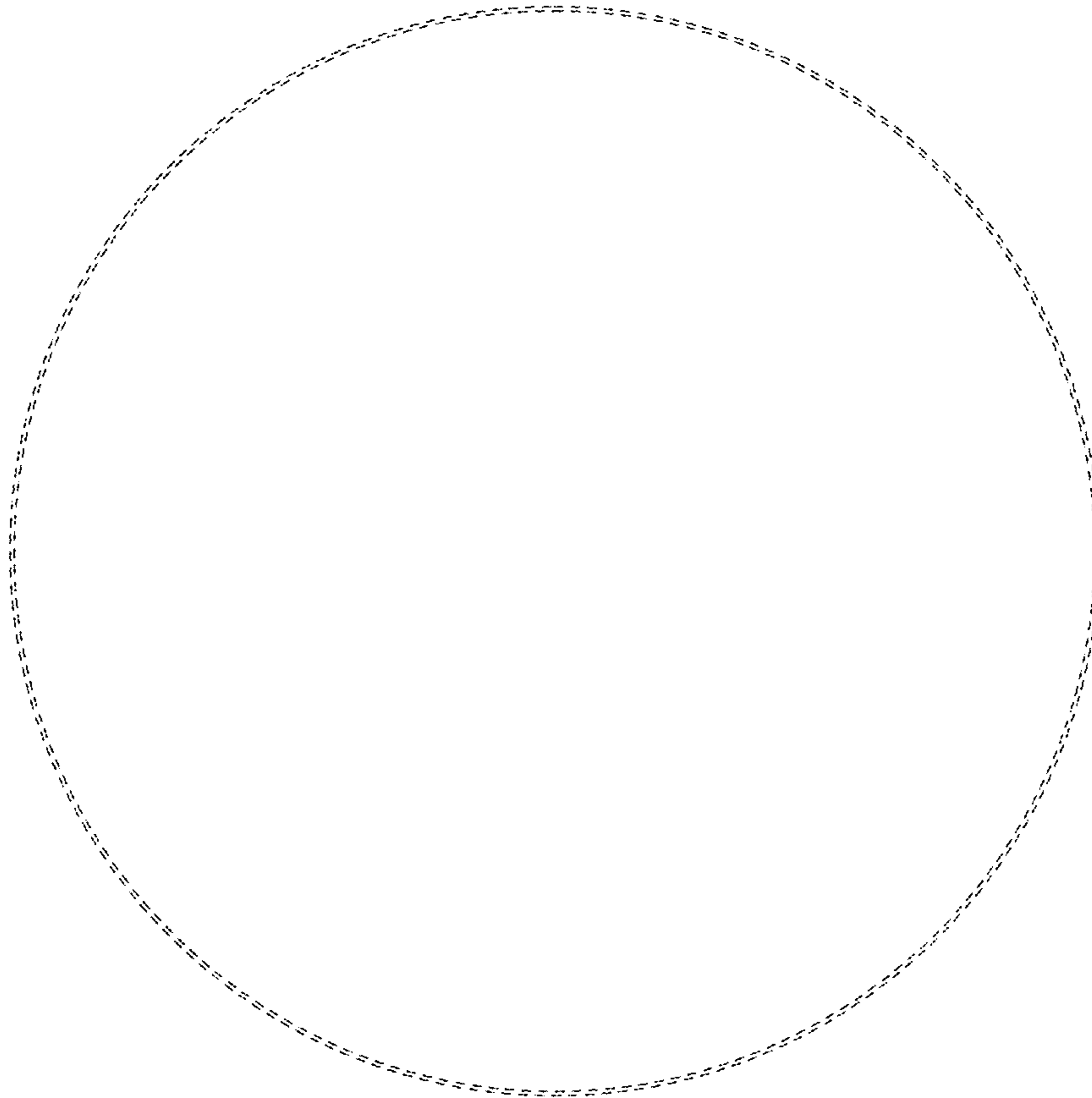


FIG. 3

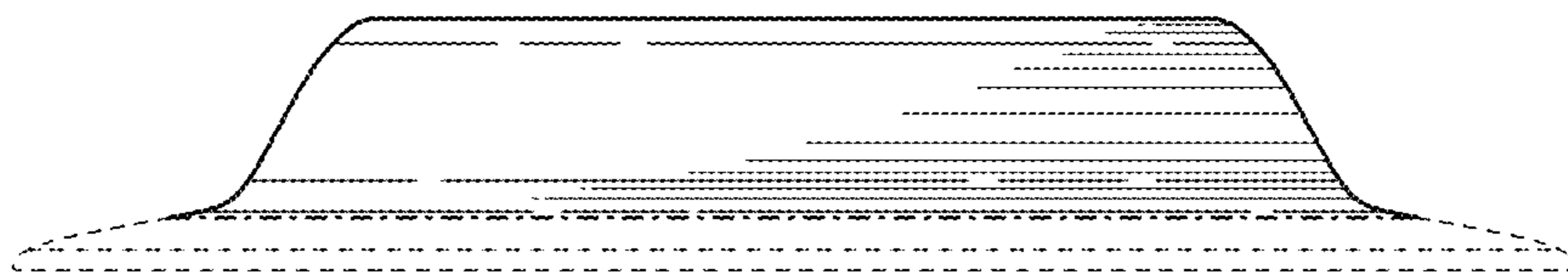


FIG. 4

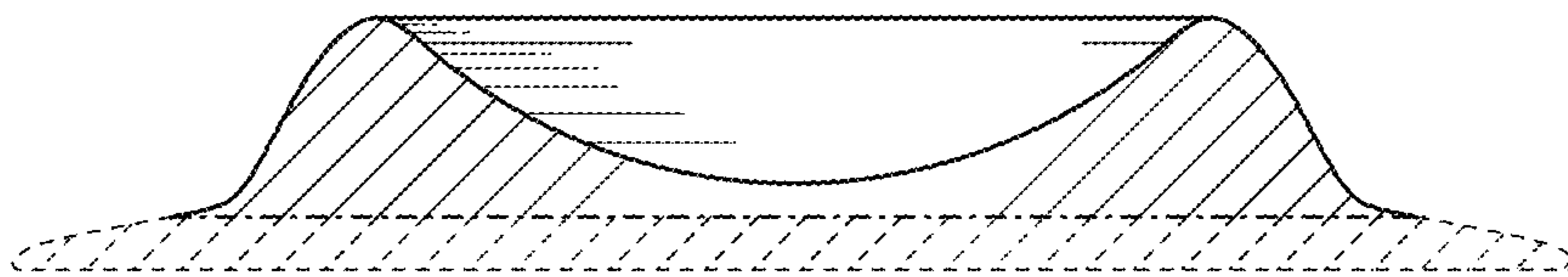


FIG. 5

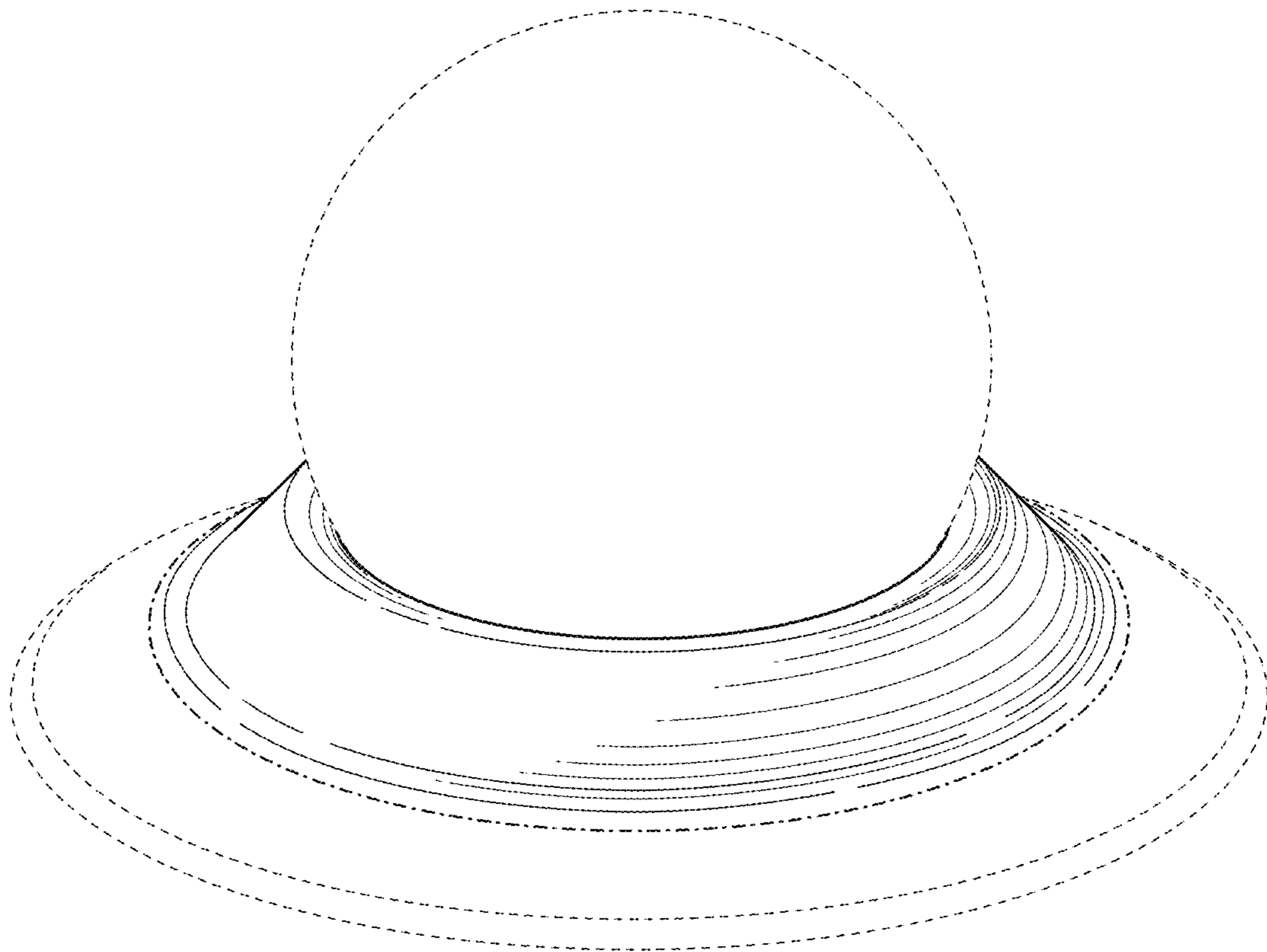


FIG. 6

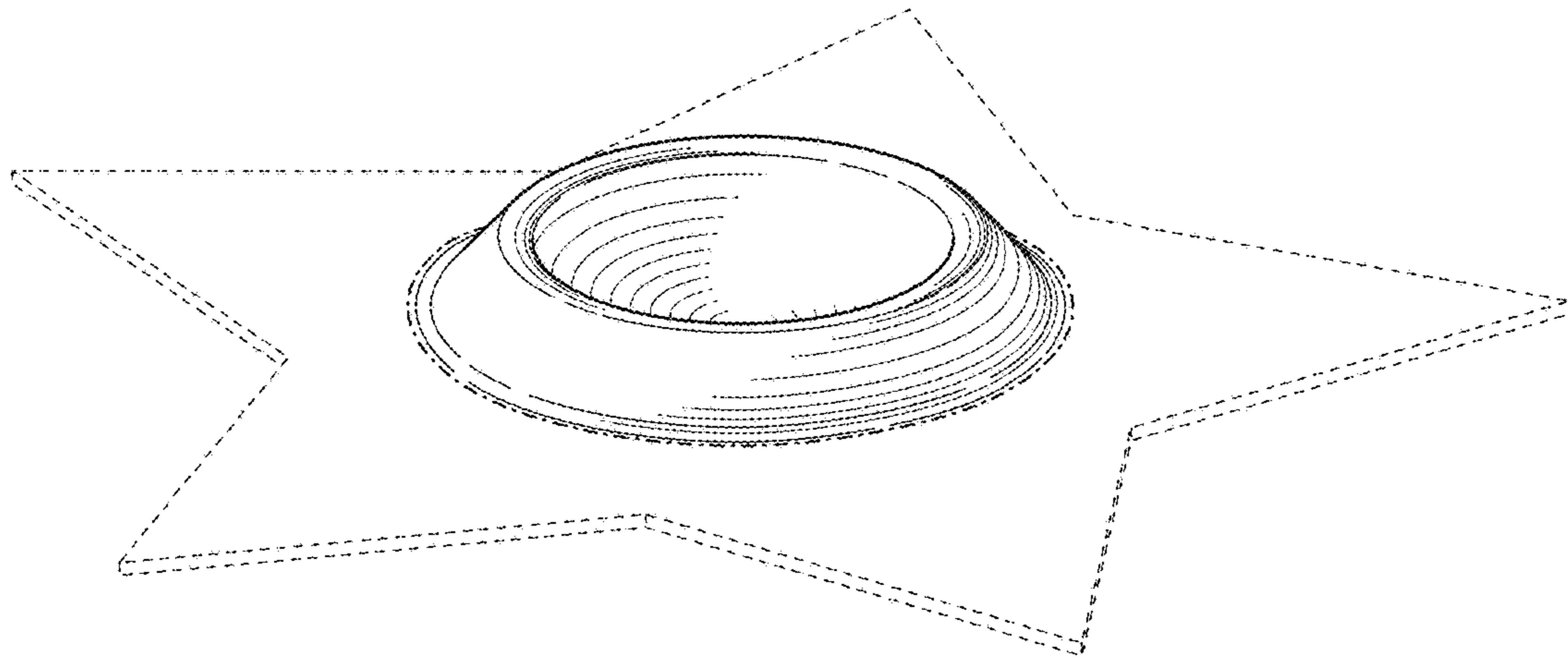


FIG. 7

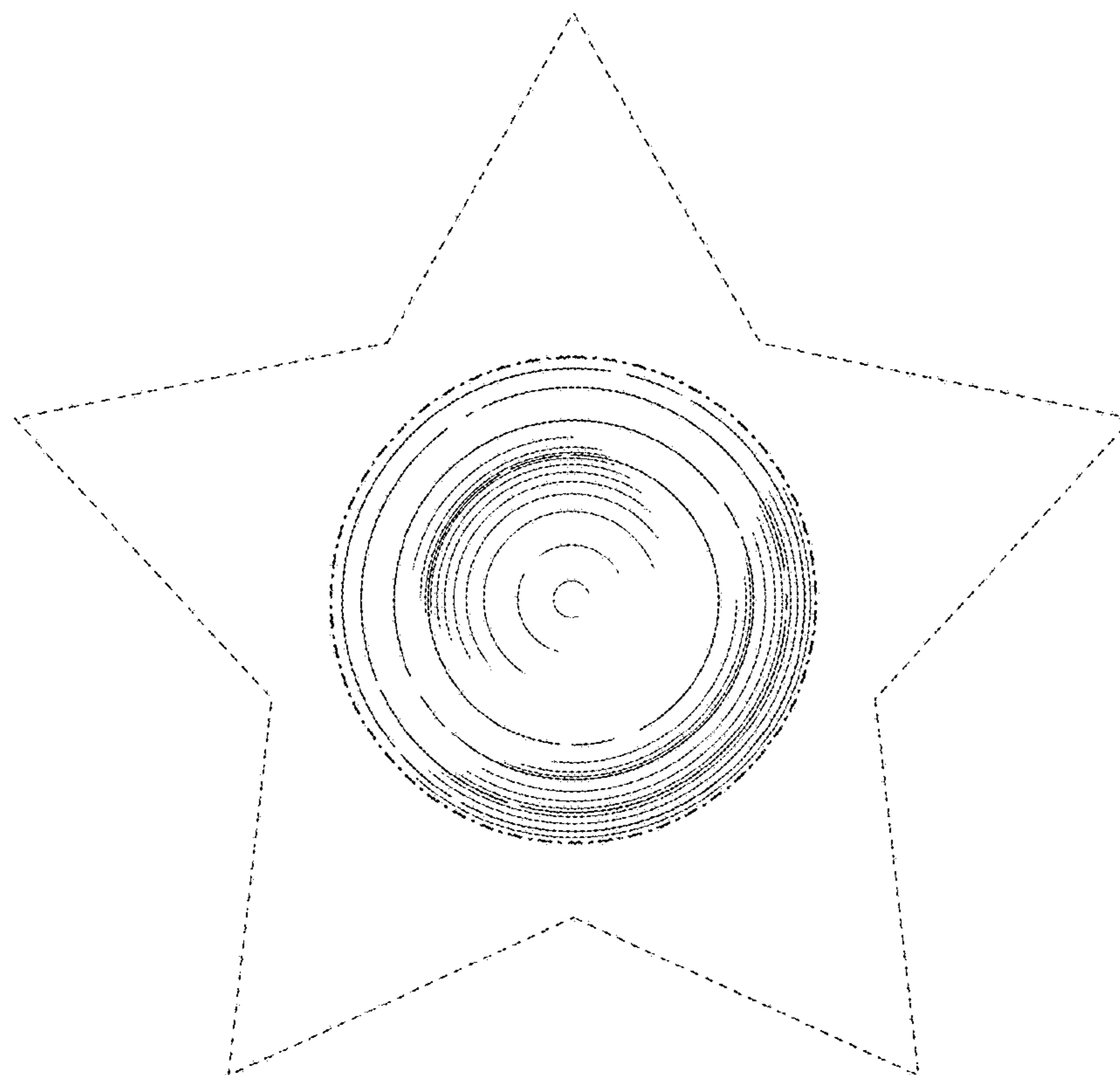


FIG. 8

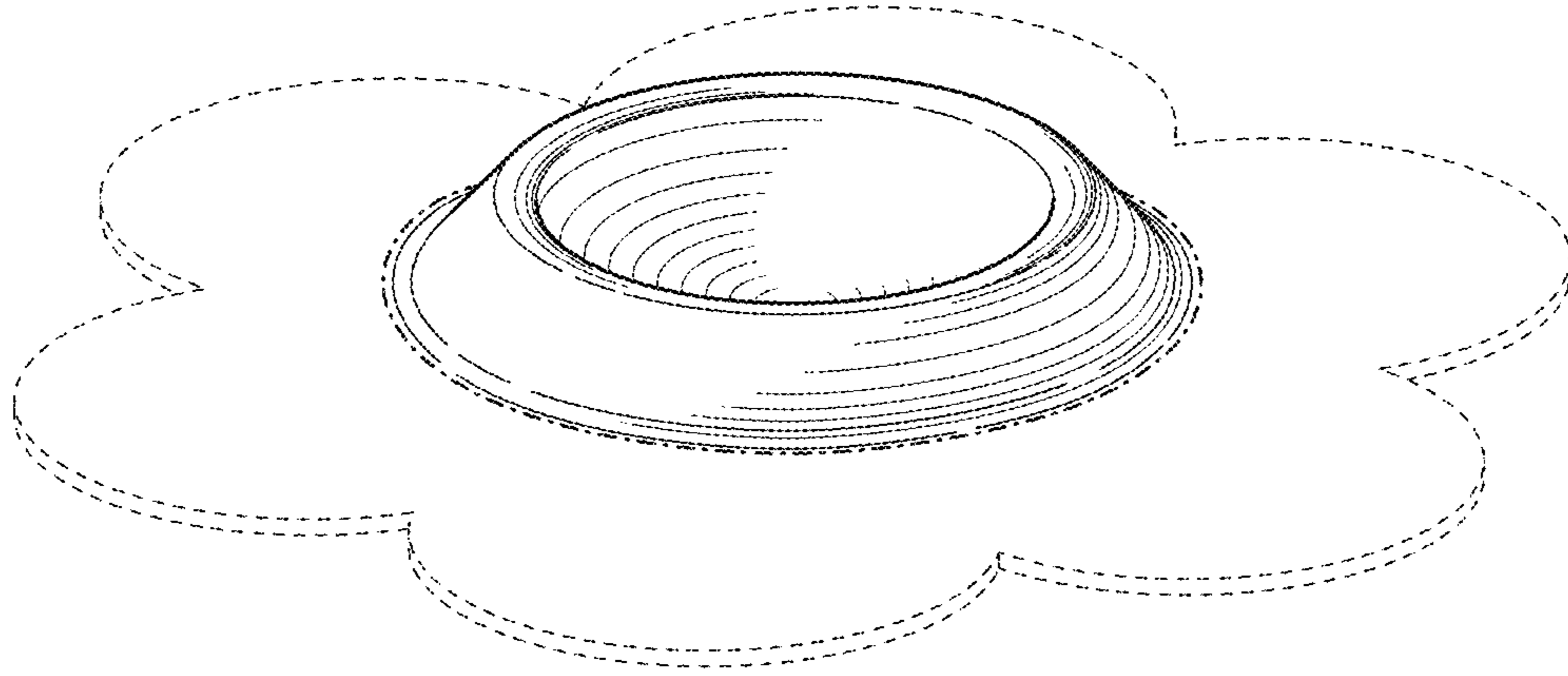


FIG. 9

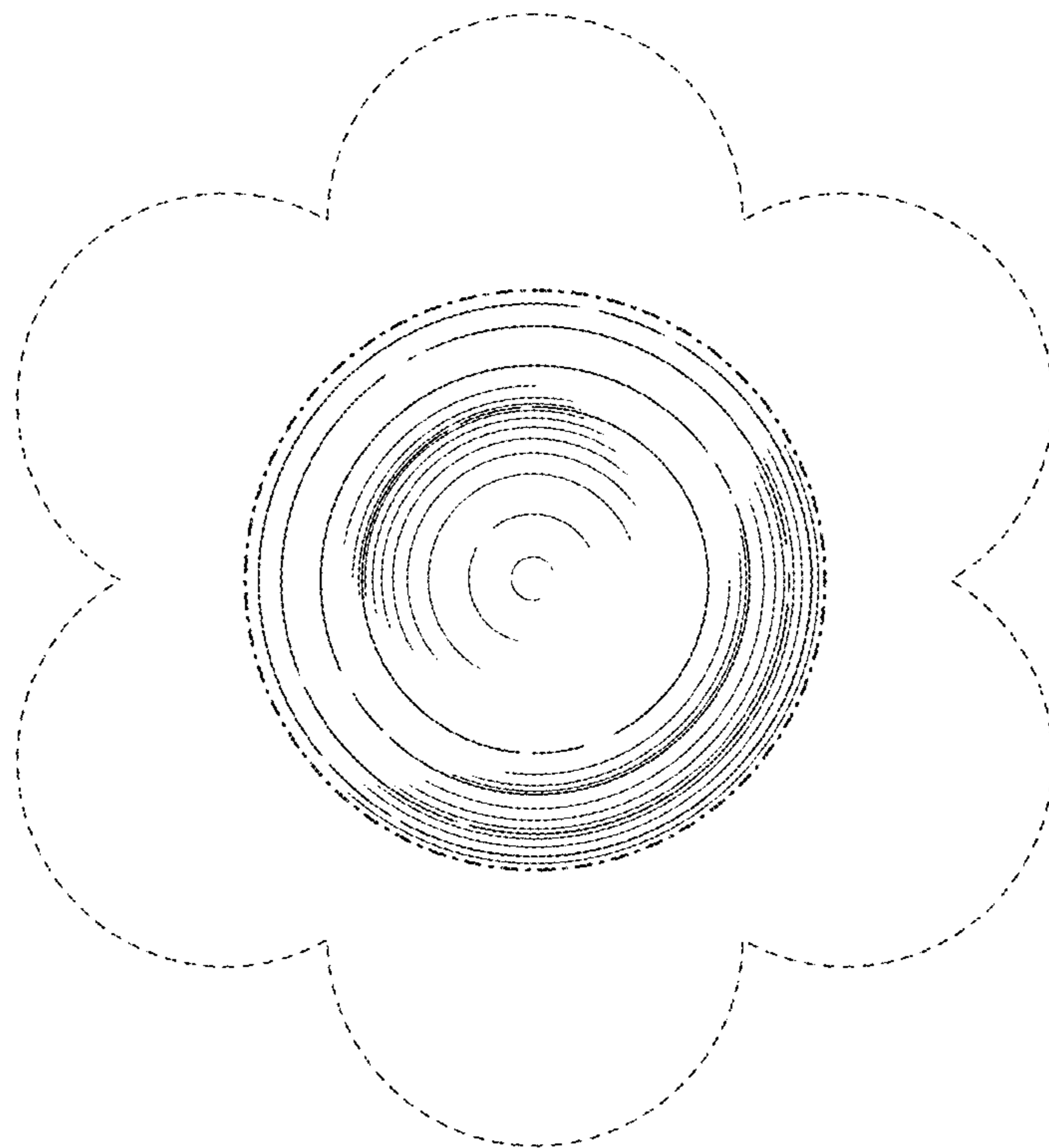


FIG. 10

UNITED STATES PATENT AND TRADEMARK OFFICE
CERTIFICATE OF CORRECTION

PATENT NO. : D837,910 S
APPLICATION NO. : 29/638429
DATED : January 8, 2019
INVENTOR(S) : Janet L. Norcross

Page 1 of 1

It is certified that error appears in the above-identified patent and that said Letters Patent is hereby corrected as shown below:

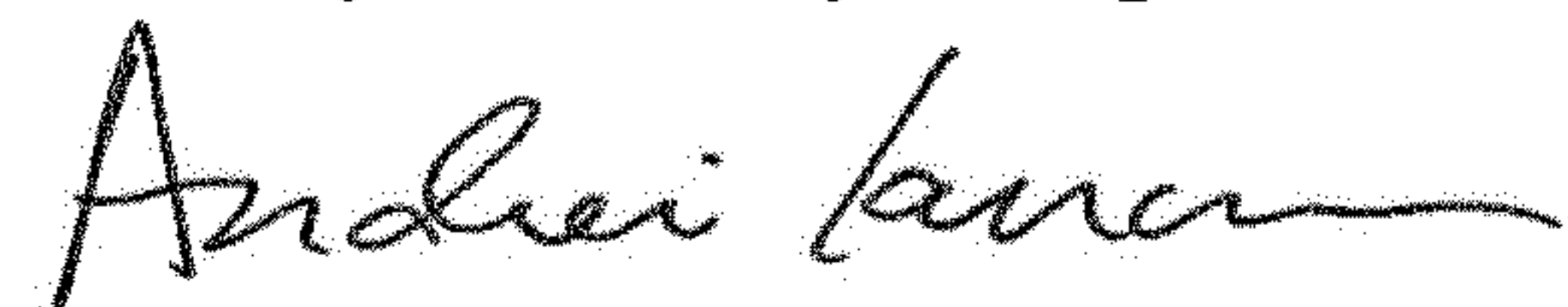
On the Title Page

The Related U.S. Application Data item (63) should be added as follows:

Related U.S. Application Data

(63) Continuation of application No. 29/584,483, filed on Nov. 16, 2016, now Pat. No. D814581.

Signed and Sealed this
Twenty-third Day of April, 2019



Andrei Iancu
Director of the United States Patent and Trademark Office