



US00D837909S

(12) **United States Design Patent**
Noback et al.

(10) **Patent No.:** **US D837,909 S**
(45) **Date of Patent:** **** Jan. 8, 2019**

(54) **TORSO TRAINER**
(71) Applicant: **ALLTrand, Inc.**, Alpharetta, GA (US)
(72) Inventors: **Carl Noback**, Alpharetta, GA (US);
Don Gasgarth, Alpharetta, GA (US);
Karl Poehls, Alpharetta, GA (US);
Jeffrey Zwitter, Alpharetta, GA (US)
(73) Assignee: **ALLTrand, Inc.**, Alpharetta, GA (US)

D297,960 S * 10/1988 Dyer D21/676
D322,730 S * 12/1991 Taltre D21/690
D355,004 S * 1/1995 Hanning, Jr. D21/690
D438,580 S * 3/2001 Shaw D21/663
D438,581 S * 3/2001 Shaw D21/663
D438,919 S * 3/2001 Shaw D21/663
7,101,323 B1 * 9/2006 Steffee A63B 21/0628
482/100
8,187,153 B2 * 5/2012 Douglas A63B 23/0211
482/137
D700,667 S * 3/2014 Ross D21/662
9,770,621 B2 * 9/2017 Zannini A63B 69/0057

(**) Term: **15 Years**

* cited by examiner

(21) Appl. No.: **29/624,074**

Primary Examiner — Cynthia Ramirez

(22) Filed: **Oct. 30, 2017**

Assistant Examiner — Michael A Maharajh

(51) **LOC (11) Cl.** **21-02**

(74) *Attorney, Agent, or Firm* — Clayton, McKay & Bailey, PC

(52) **U.S. Cl.**
USPC **D21/686**

(57) **CLAIM**

(58) **Field of Classification Search**
USPC 482/92, 93, 94, 95, 96, 97, 99, 100, 133,
482/135, 138, 140, 142; D21/662, 673,
D21/674, 675, 676, 679, 681, 686, 687,
D21/690, 691
CPC A63B 2225/093; A63B 22/16; A63B
23/0211; A63B 21/0004; A63B 21/4047;
A63B 21/4039; A63B 2208/029; A63B
9/00

The ornamental design for a torso trainer, as shown and described.

See application file for complete search history.

DESCRIPTION

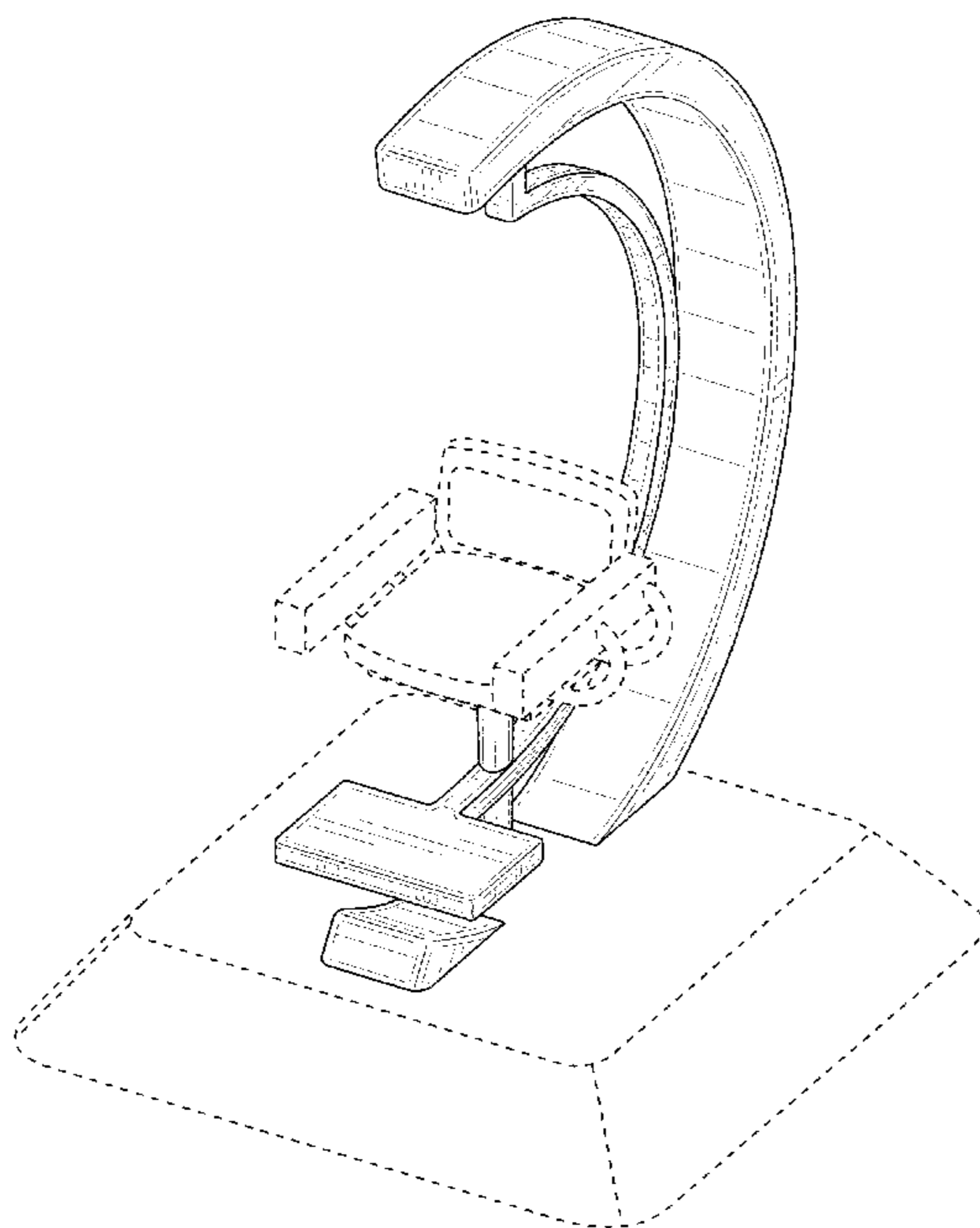
(56) **References Cited**

FIG. 1 is a perspective view of a torso trainer showing our new design;
FIG. 2 is a front view of the torso trainer.
FIG. 3 is a rear view of the torso trainer.
FIG. 4 is a left-side view of the torso trainer.
FIG. 5 is a right-side view of the torso trainer.
FIG. 6 is a top view of the torso trainer; and,
FIG. 7 is a bottom view of the torso trainer.
The broken lines depict portions of the torso trainer and form no part of the claimed design.

U.S. PATENT DOCUMENTS

D284,394 S * 6/1986 Bengtson D21/676
D297,958 S * 10/1988 Dyer D21/676
D297,959 S * 10/1988 Dyer D21/676

1 Claim, 7 Drawing Sheets



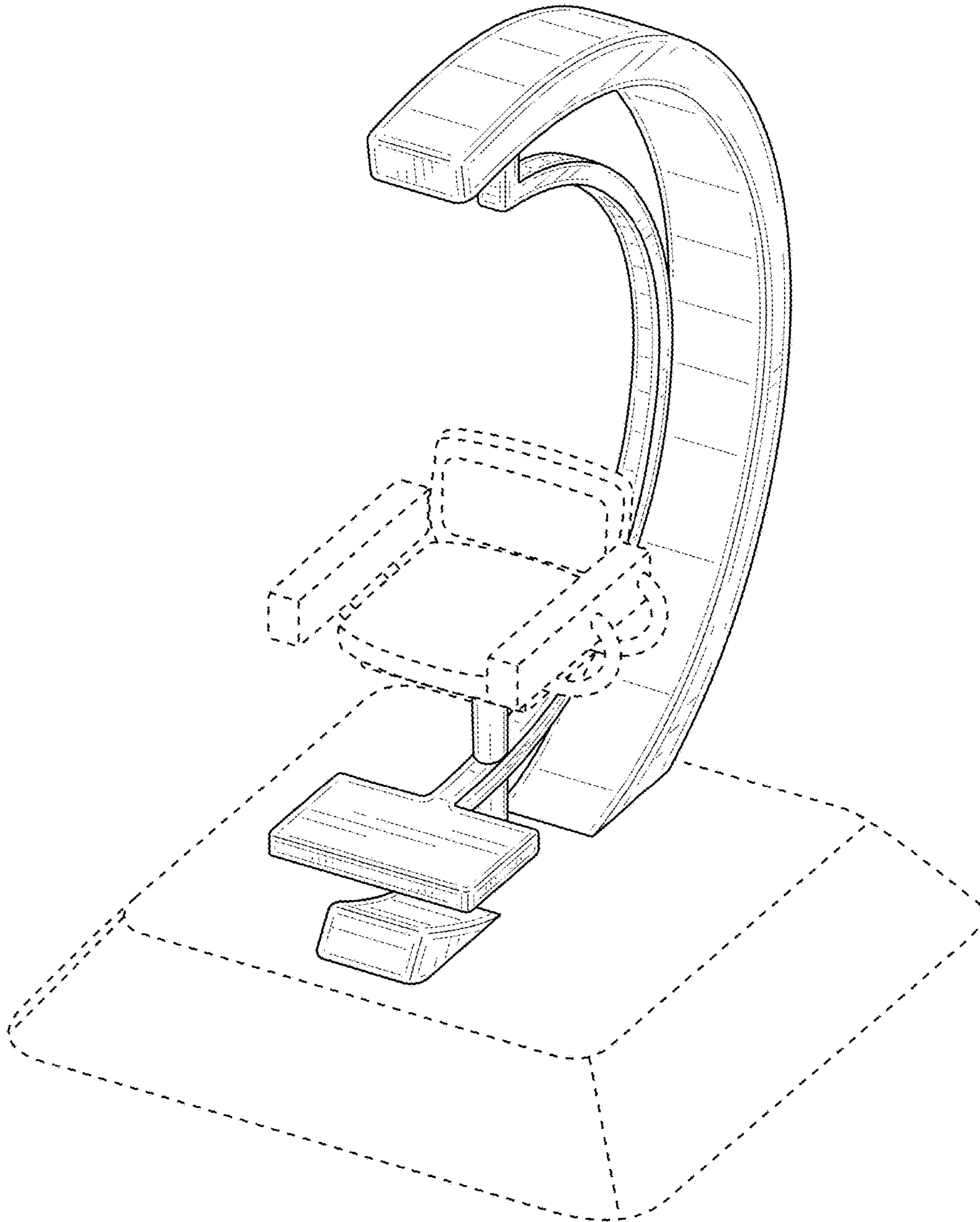


FIG. 1

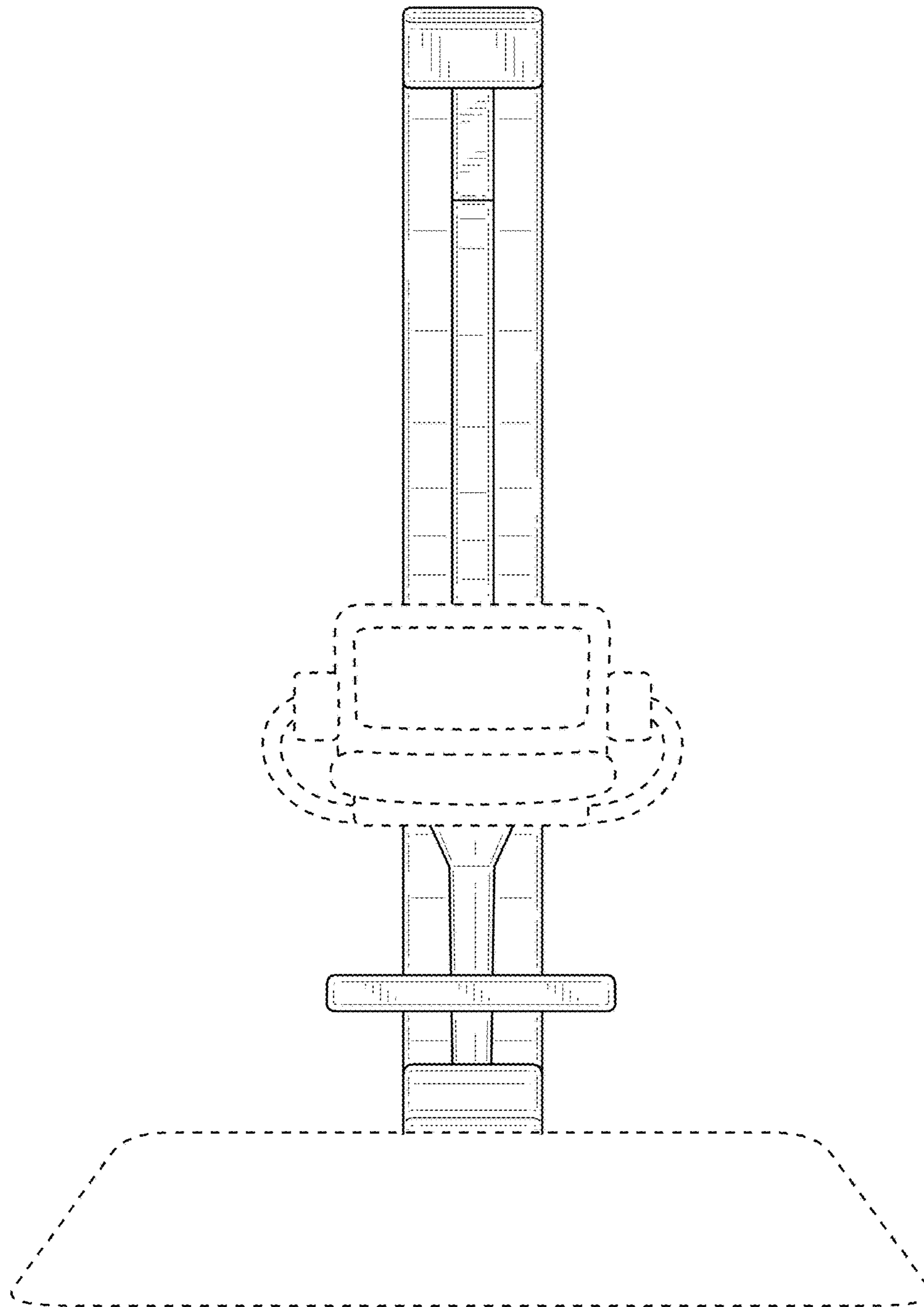


FIG. 2

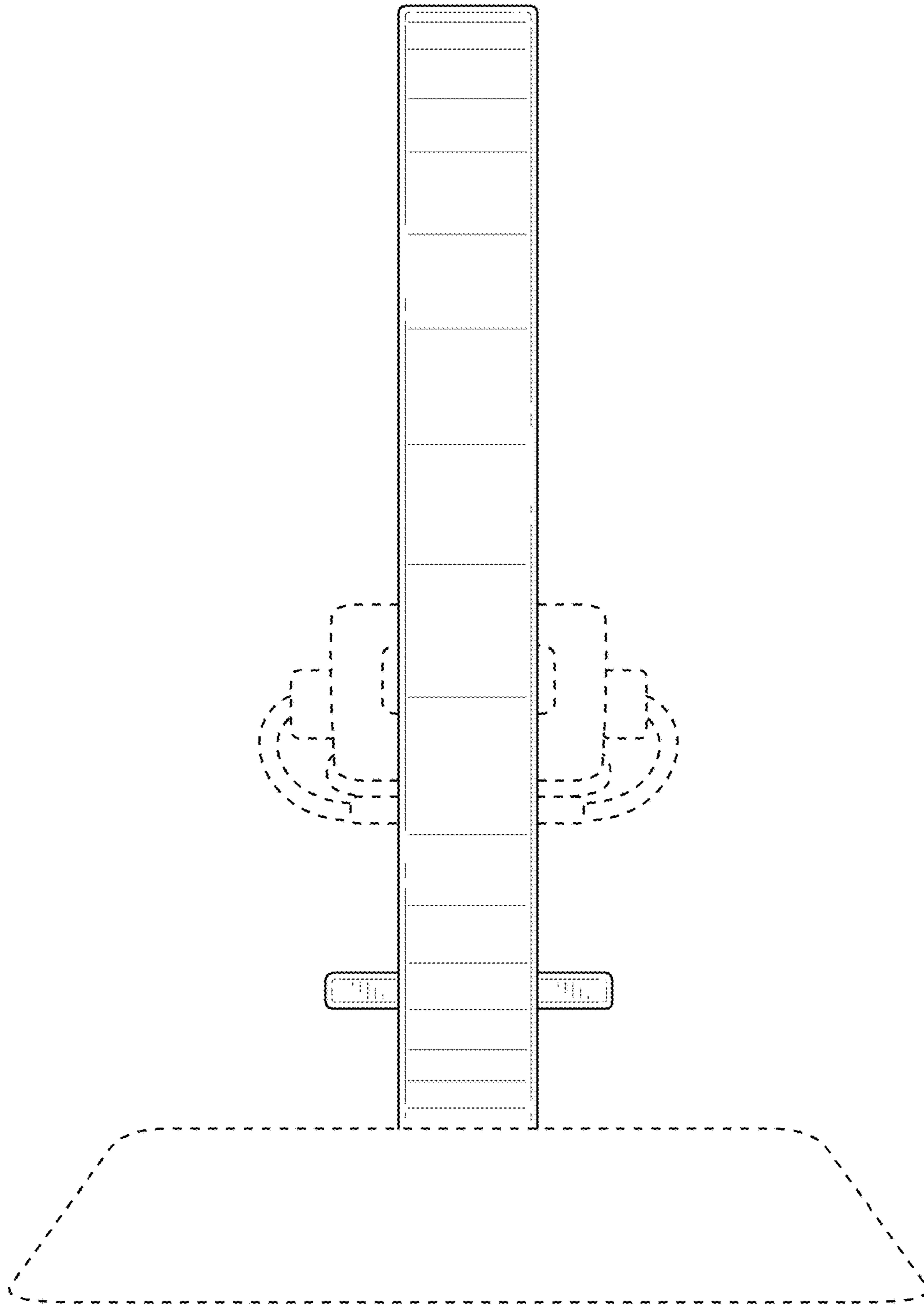


FIG. 3

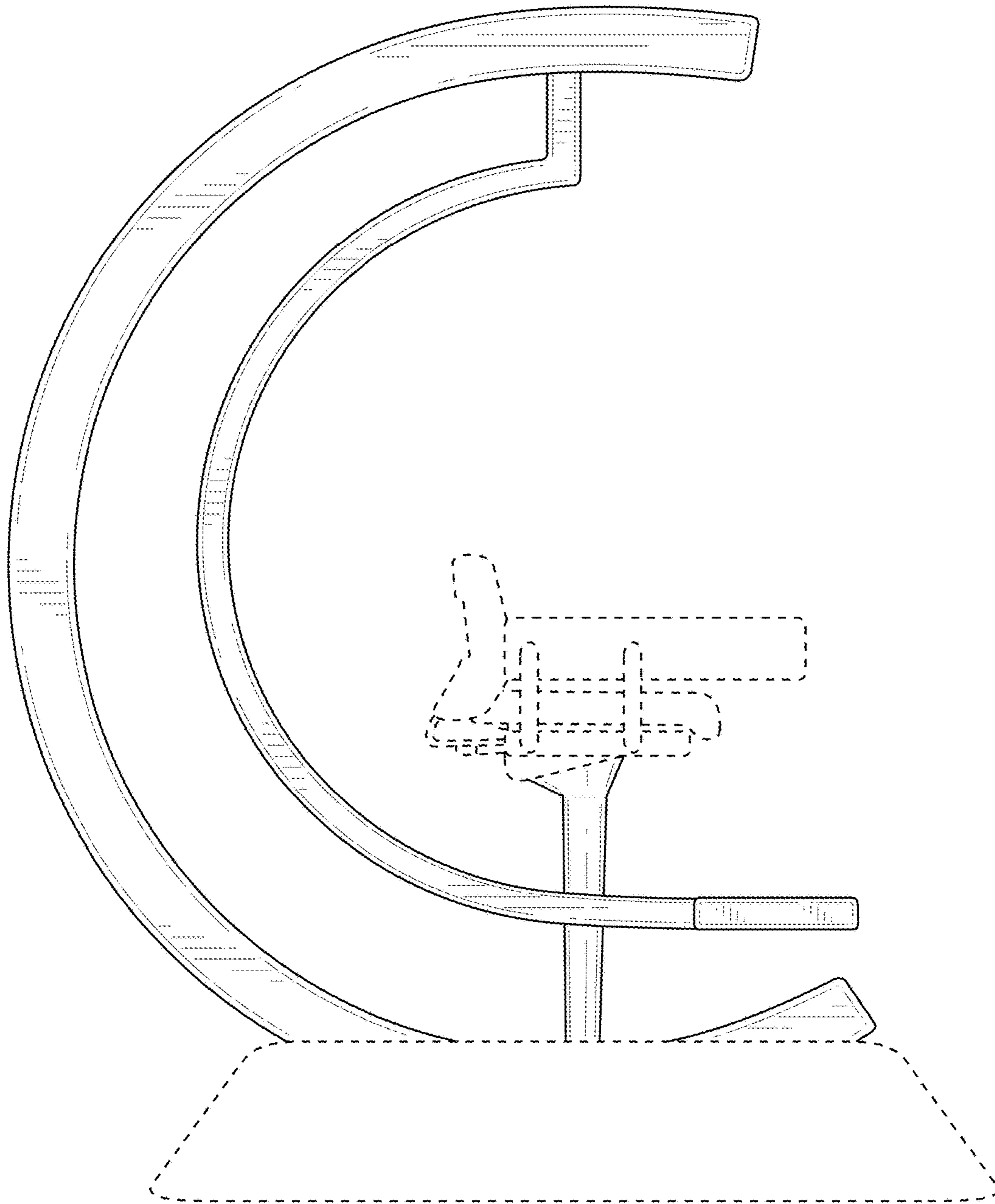


FIG. 4

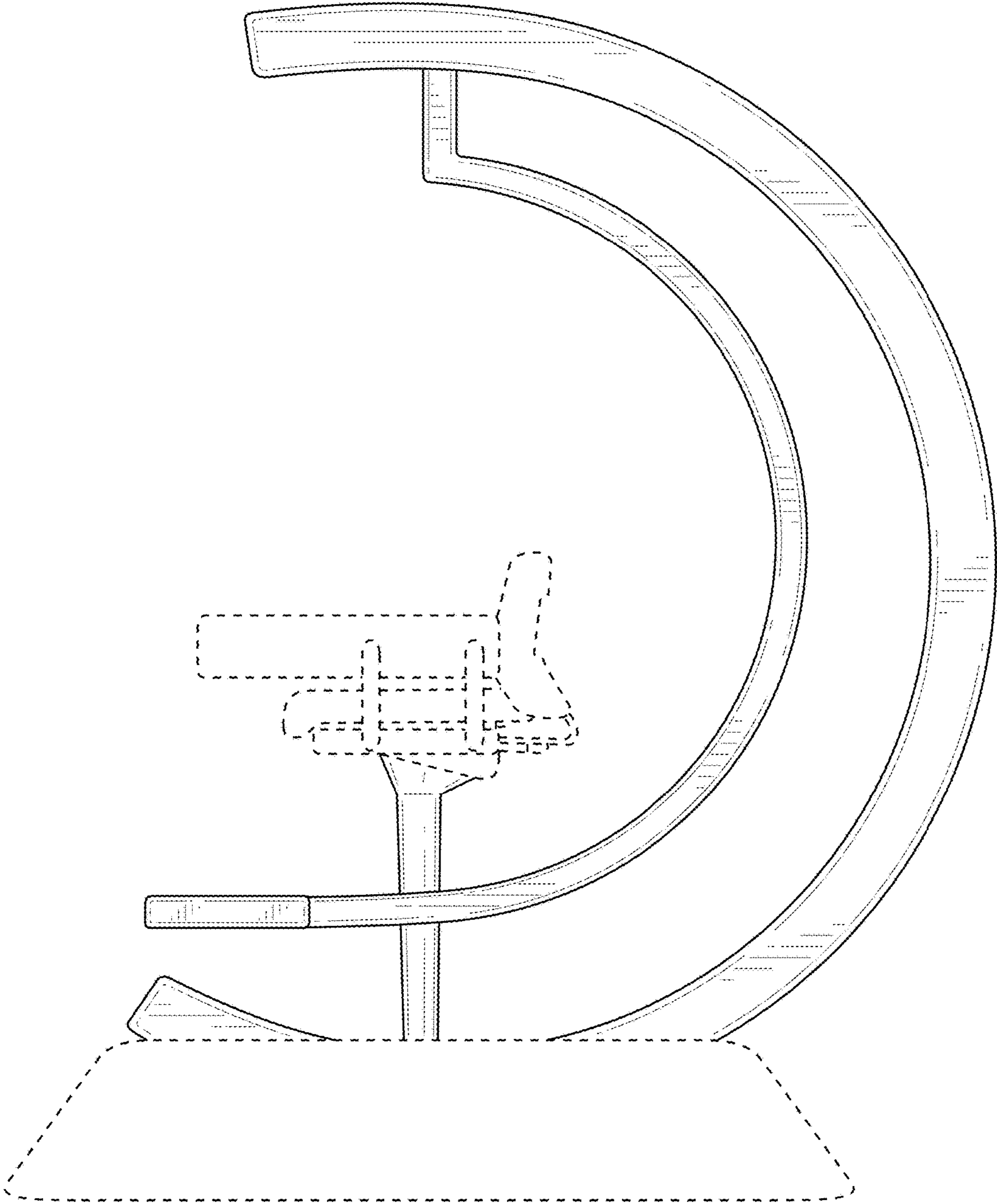


FIG. 5

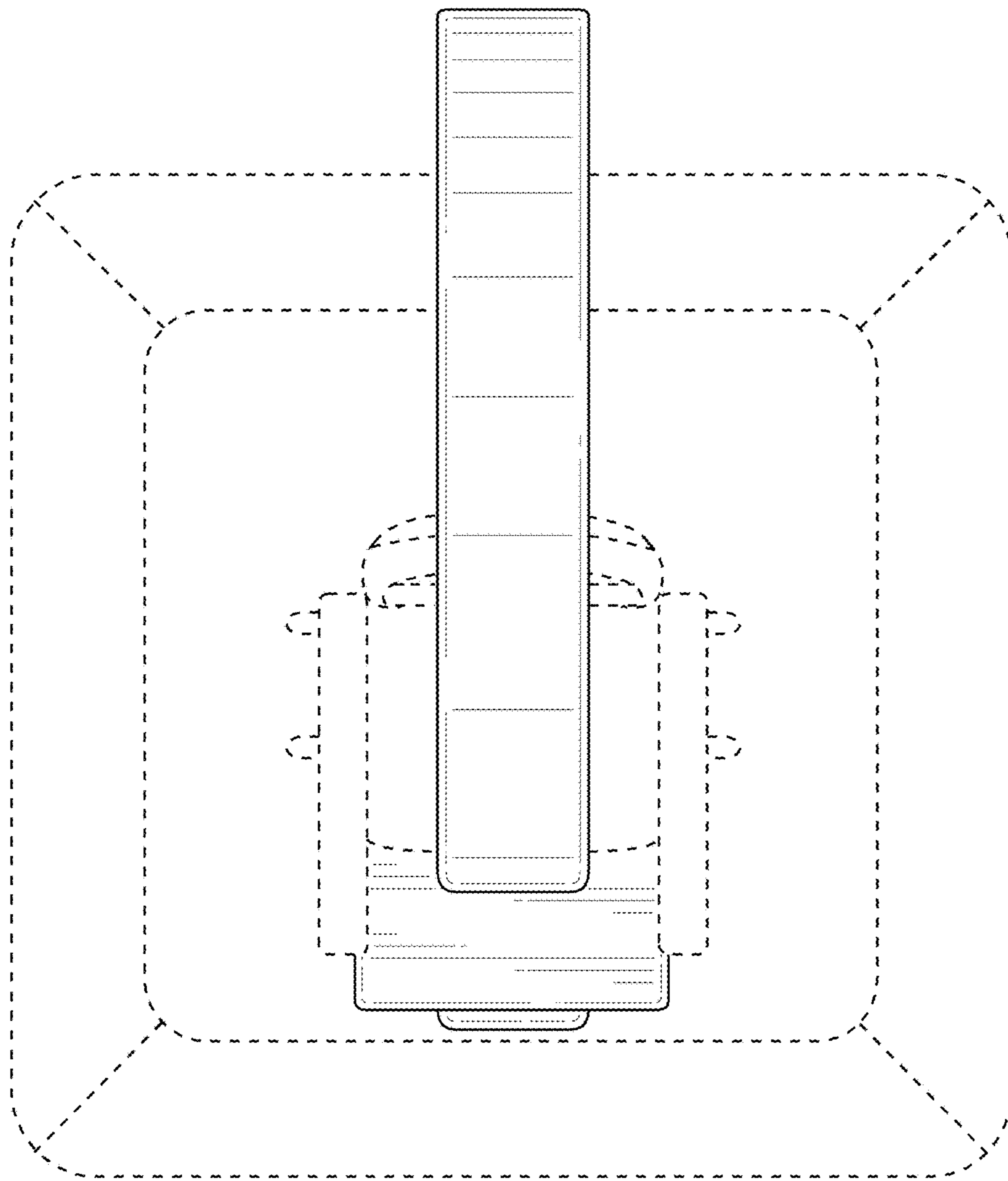


FIG. 6

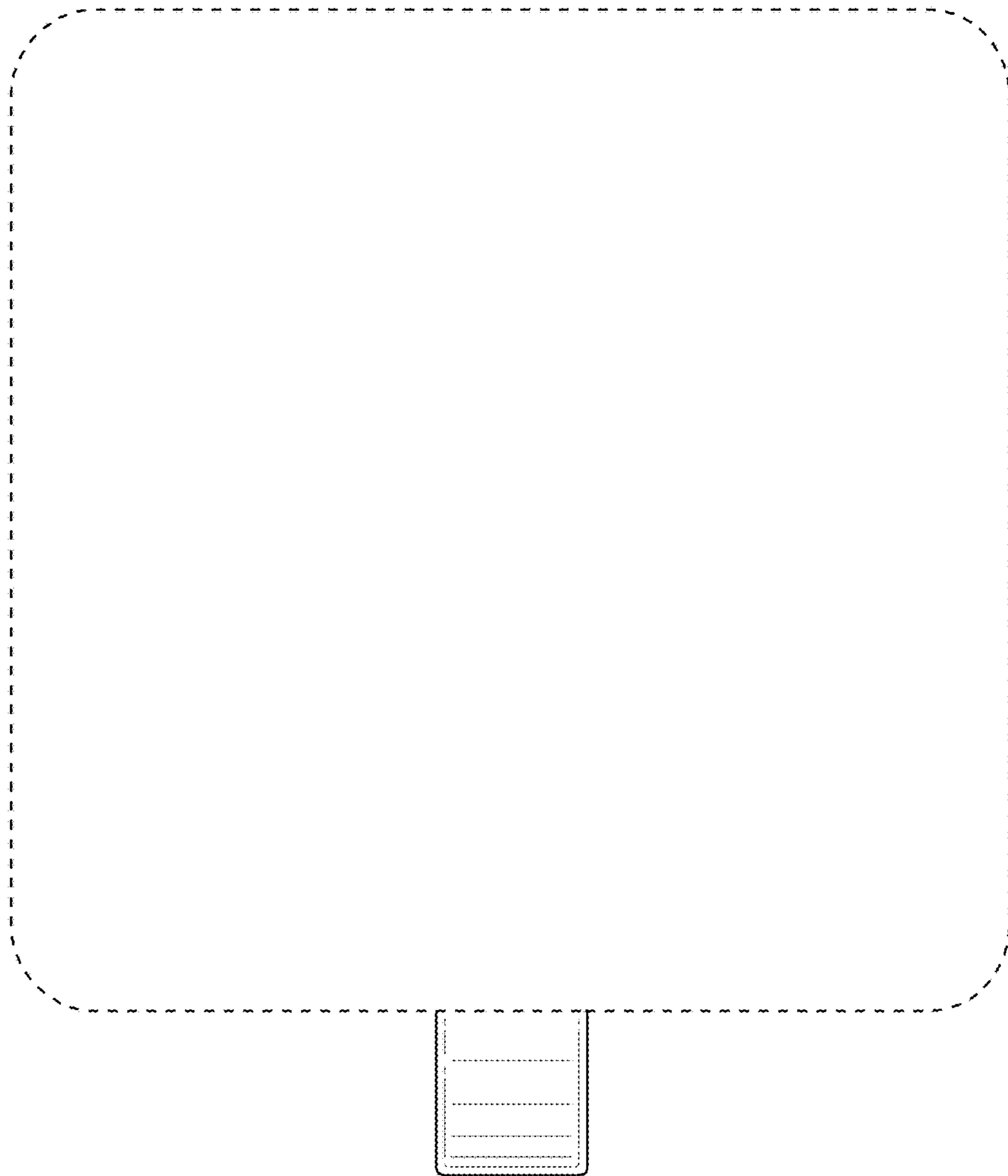


FIG. 7