



US00D837901S

(12) **United States Design Patent** (10) **Patent No.:** **US D837,901 S**
Peng (45) **Date of Patent:** **** Jan. 8, 2019**

(54) **CONNECTOR PIECE FOR ASSEMBLING TOYS AND FURNITURE**

Primary Examiner — Cynthia M. Chin
(74) *Attorney, Agent, or Firm* — Muncy, Geissler, Olds & Lowe, P.C.

(71) Applicant: **JiZhong Peng**, Beijing (CN)

(72) Inventor: **JiZhong Peng**, Beijing (CN)

(**) Term: **15 Years**

(21) Appl. No.: **29/622,047**

(22) Filed: **Oct. 13, 2017**

(30) **Foreign Application Priority Data**

Apr. 13, 2017 (CN) 2017 3 0122618
Apr. 14, 2017 (CN) 2017 3 0125063

(51) **LOC (11) Cl.** **21-01**

(52) **U.S. Cl.**
USPC **D21/487**

(58) **Field of Classification Search**
USPC D21/372, 373, 386, 389, 404, 468, 470,
D21/471, 484–505; 446/69, 85, 102–128;
434/208, 259, 403; 273/153, 156, 160;
D25/113–116, 118; D8/382
CPC A63H 33/04; A63H 33/06; A63H 33/08;
A63H 33/084; A63H 33/086; A63H
33/088; A63H 33/10; A63H 33/105;
A63H 33/108

See application file for complete search history.

(56) **References Cited**

U.S. PATENT DOCUMENTS

D214,745 S * 7/1969 Walker 446/127
3,458,949 A * 8/1969 Young A63H 33/108
434/278
3,485,062 A * 12/1969 Blake F16D 3/64
464/149
D227,528 S * 7/1973 Wahl D15/136
4,124,958 A * 11/1978 Chiche A47B 47/0033
312/140
D257,271 S * 10/1980 Gabriel D21/498

(Continued)

(57) **CLAIM**

The ornamental design for a connector piece for assembling toys and furniture, as shown and described.

DESCRIPTION

FIG. 1 is a front perspective view of a connector piece for assembling toys and furniture according to the present invention.

FIG. 2 is a front view of the connector piece for assembling toys and furniture of FIG. 1.

FIG. 3 is a rear view of the connector piece for assembling toys and furniture of FIG. 1.

FIG. 4 is a left side view of the connector piece for assembling toys and furniture of FIG. 1.

FIG. 5 is a right side view of the connector piece for assembling toys and furniture of FIG. 1.

FIG. 6 is a top view of the connector piece for assembling toys and furniture of FIG. 1.

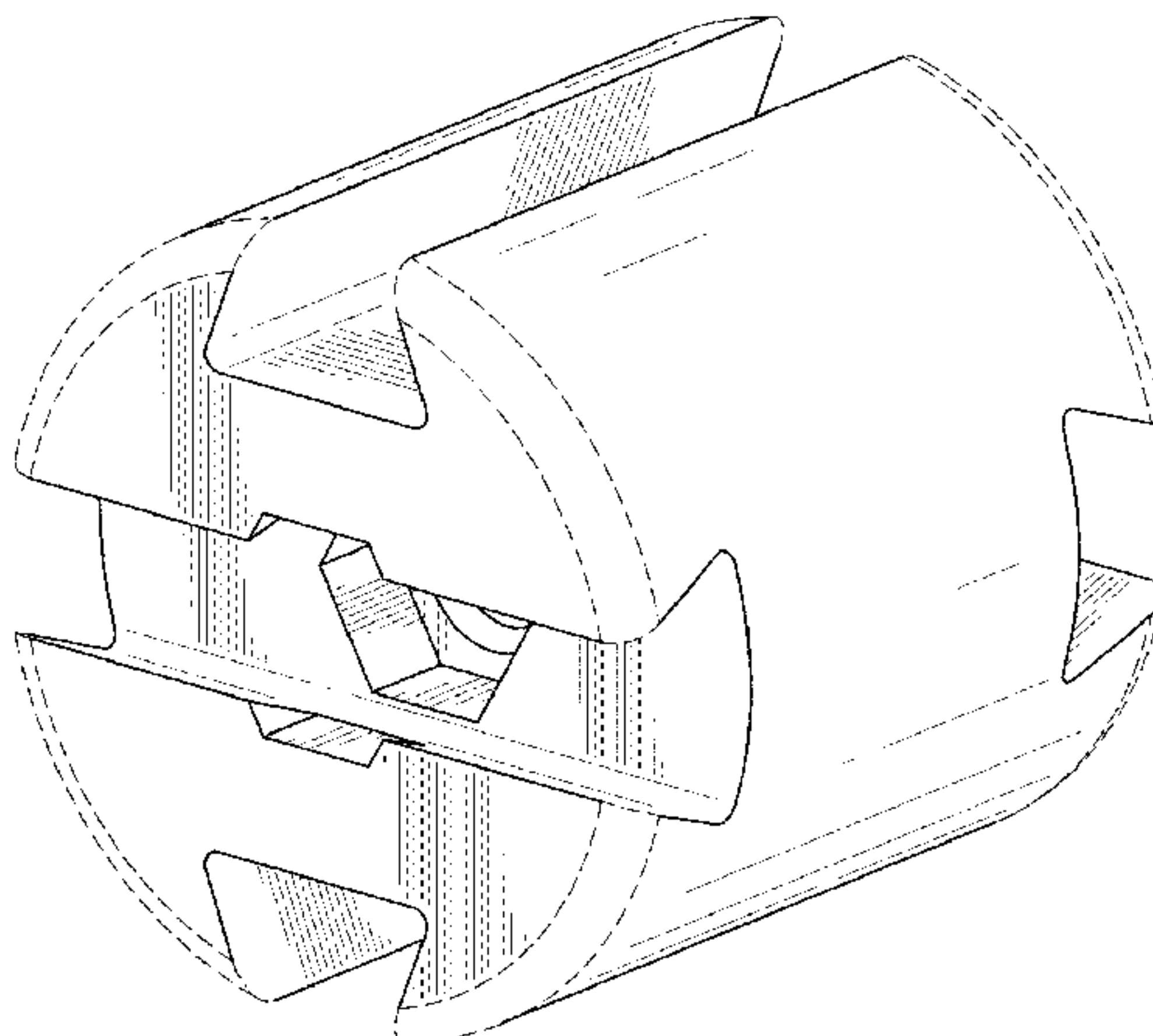
FIG. 7 is a bottom view of the connector piece for assembling toys and furniture of FIG. 1.

FIG. 8 is a rear perspective view of the connector piece for assembling toys and furniture of FIG. 1 in a connected fashion with other connector pieces; and,

FIG. 9 is a perspective view of the connector piece for assembling toys and furniture of FIG. 1 in a connected fashion with other connector pieces.

In FIGS. 1-9, the broken lines immediately adjacent the shaded areas represent the bounds of the claim and all other broken lines represent unclaimed portions of the article. Additionally, the broken lines showing additional connectors in FIG. 9 illustrate exemplary environment. None of the broken lines form a part of the claimed design.

1 Claim, 9 Drawing Sheets



(56)

References Cited

U.S. PATENT DOCUMENTS

4,302,900	A *	12/1981	Rayner	A63H 33/062	
						446/120
4,902,259	A *	2/1990	Ziegler	A63H 33/065	
						446/117
5,715,956	A *	2/1998	Yoshida	A47B 47/0033	
						211/182
D414,276	S *	9/1999	Bruno	D21/488	
D481,228	S *	10/2003	Shilling	D8/382	
D481,299	S *	10/2003	Fujioka	D8/382	
6,669,036	B1 *	12/2003	Yang	A47B 47/0033	
						211/181.1
D513,471	S *	1/2006	Sato	D8/382	
D517,616	S *	3/2006	Kim	D21/503	
D614,481	S *	4/2010	Lewis	D8/382	
D669,941	S *	10/2012	Kim	D21/488	
D705,044	S *	5/2014	Hammac	D8/380	
8,955,928	B2 *	2/2015	Cheng	A47F 5/0018	
						220/4.33
D726,528	S *	4/2015	McCallum	D8/382	
9,808,734	B2 *	11/2017	Kuo	A63H 33/082	
2012/0009010	A1 *	1/2012	Wu	F16B 5/0032	
						403/217

* cited by examiner

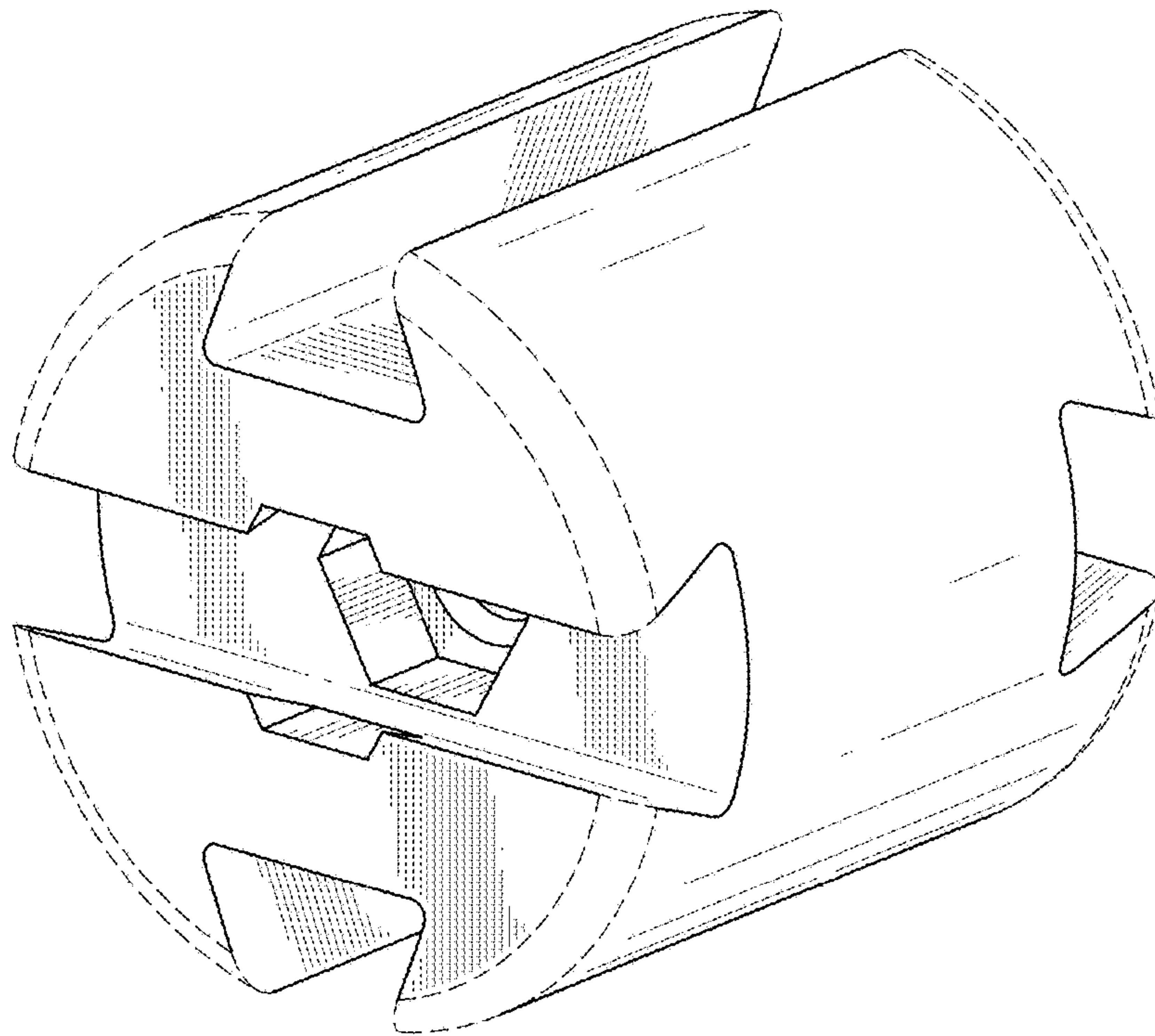


FIG.1

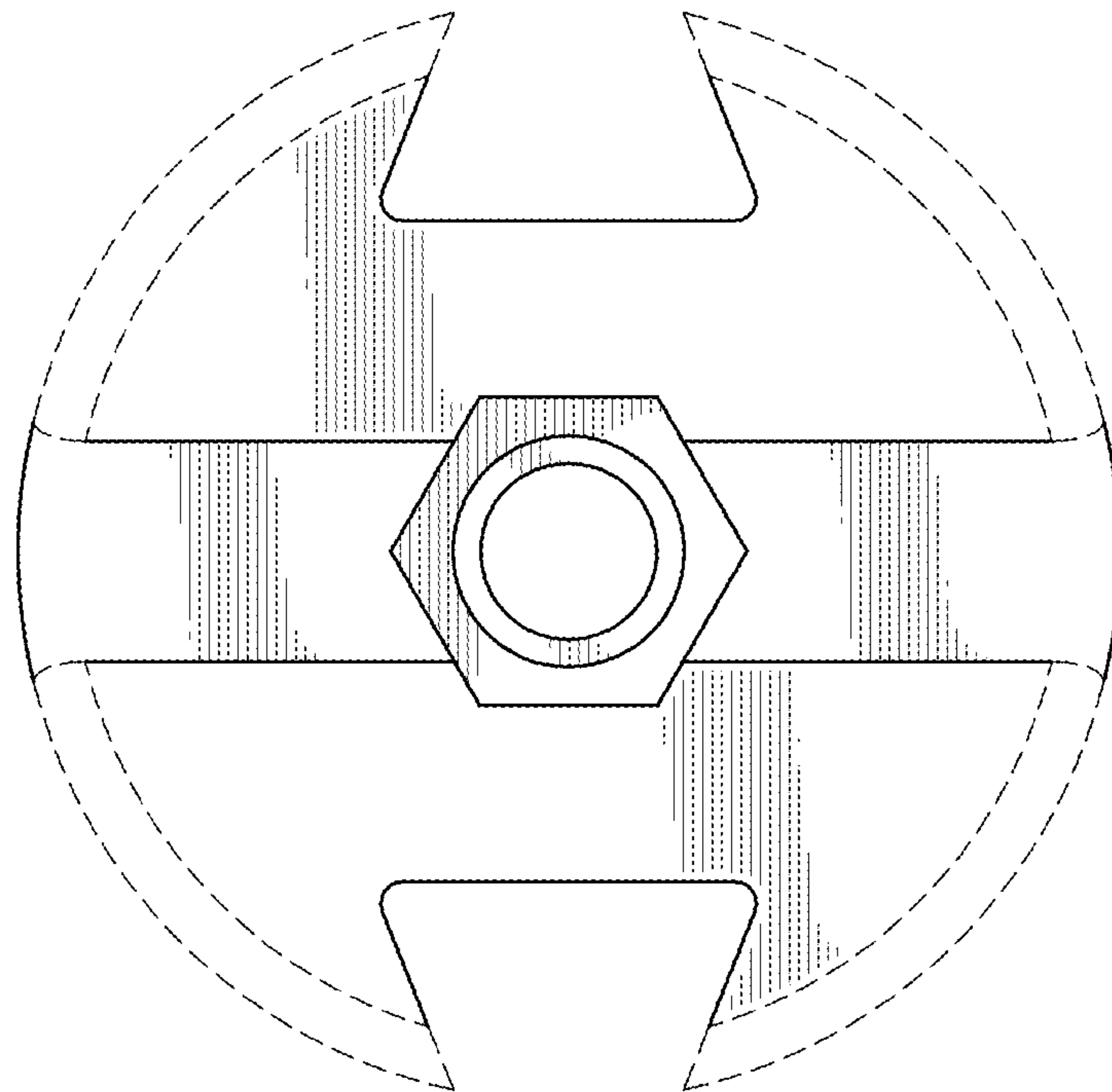


FIG. 2

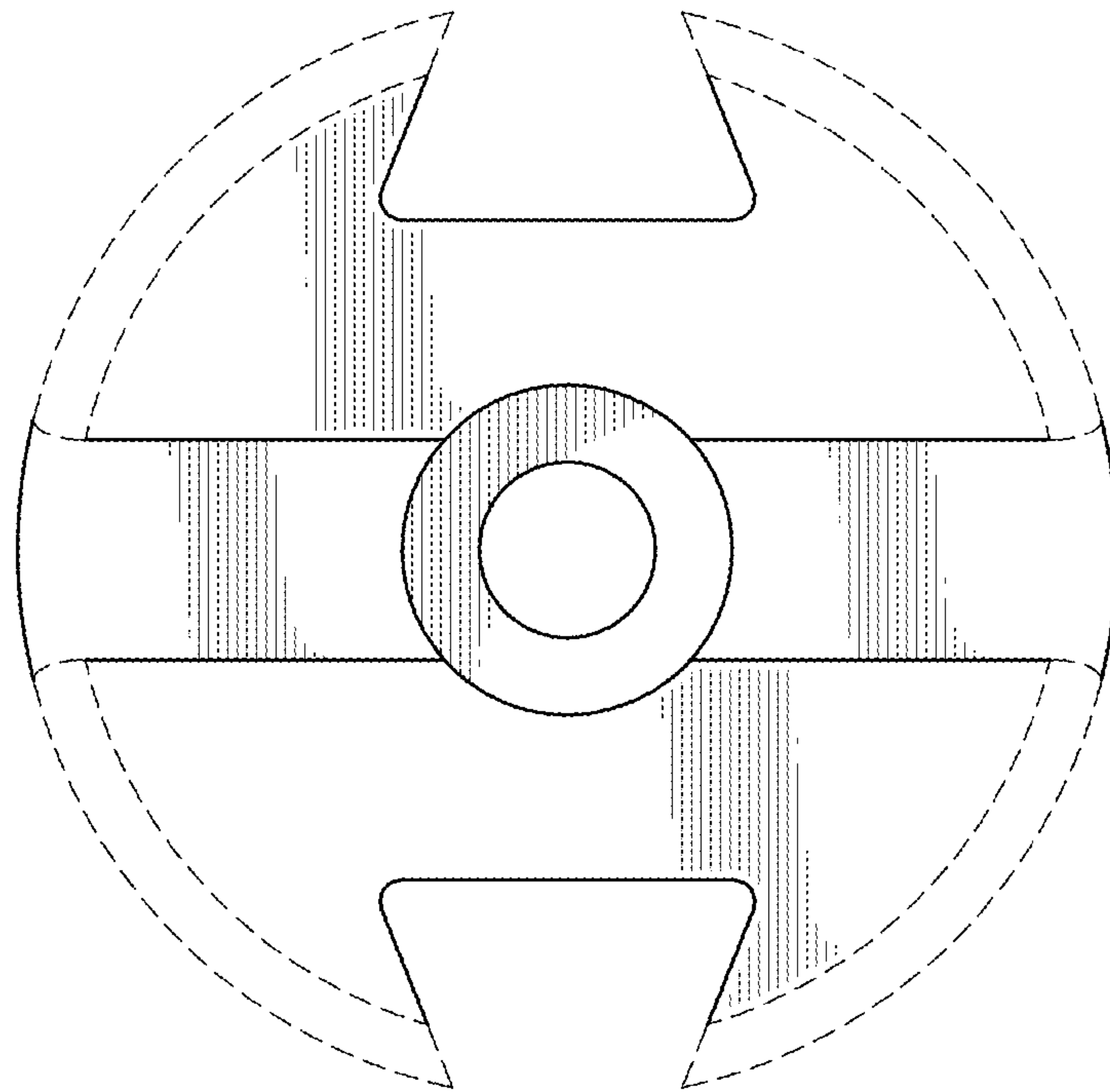


FIG.3

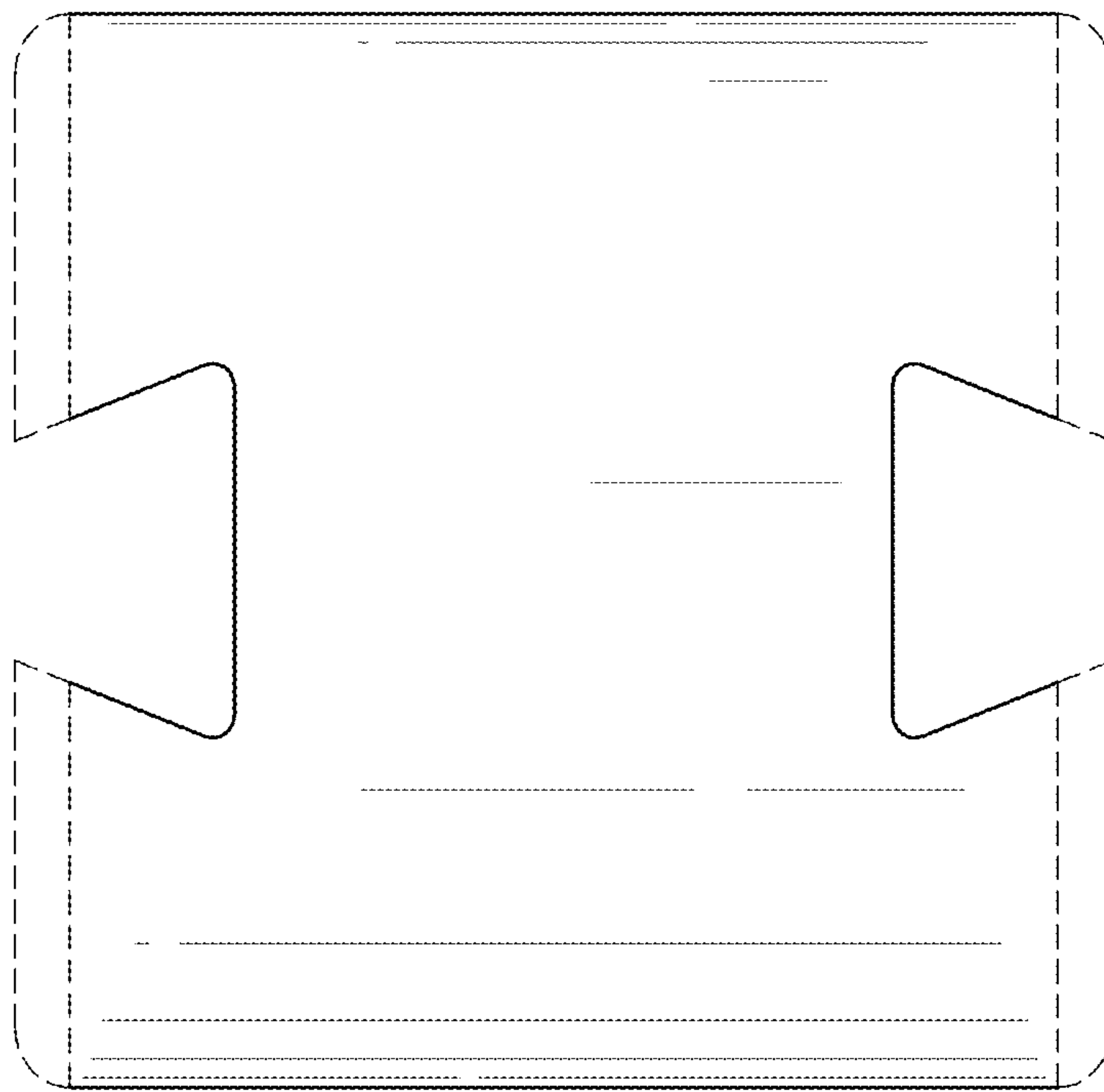


FIG. 4

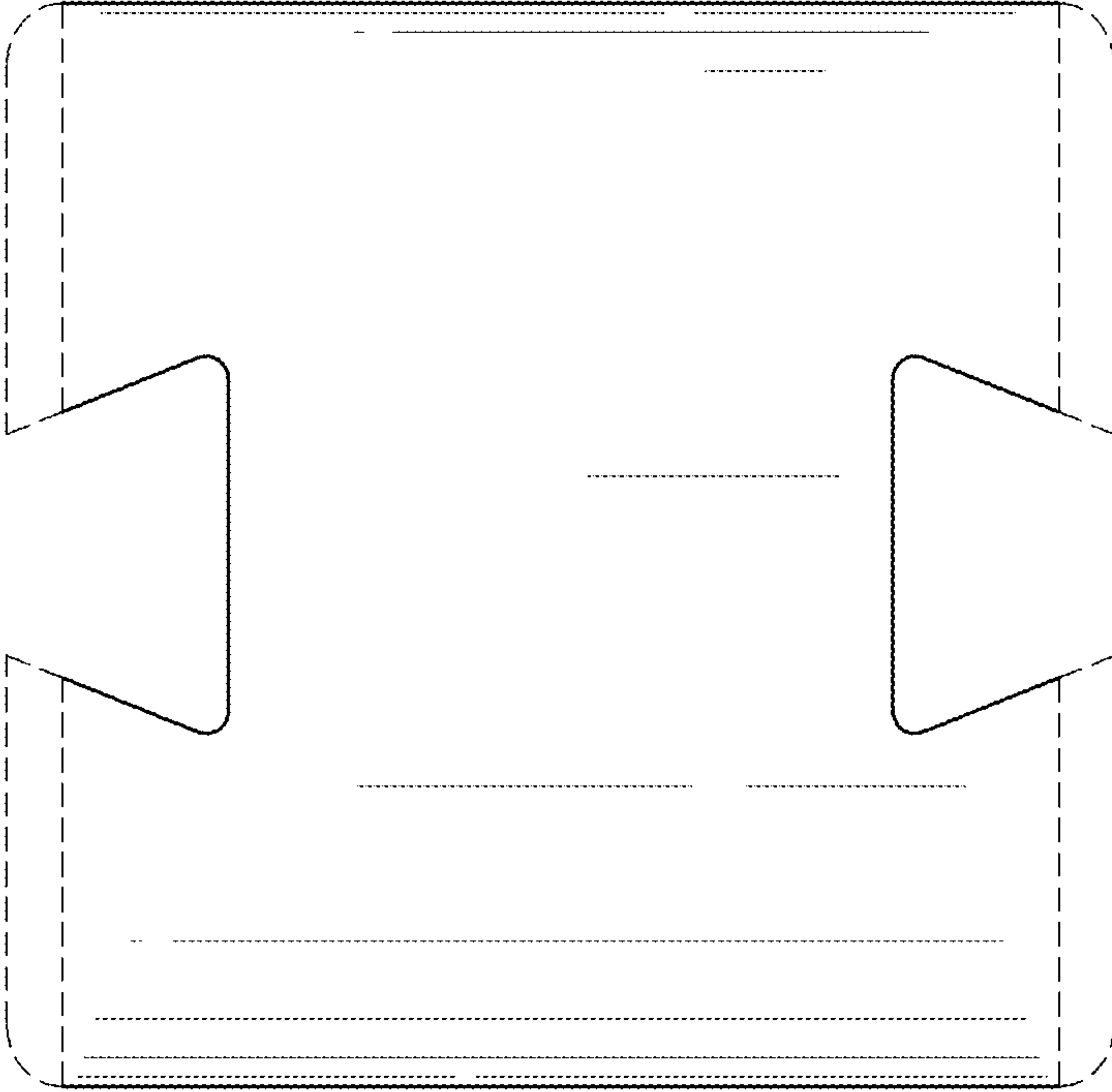


FIG.5

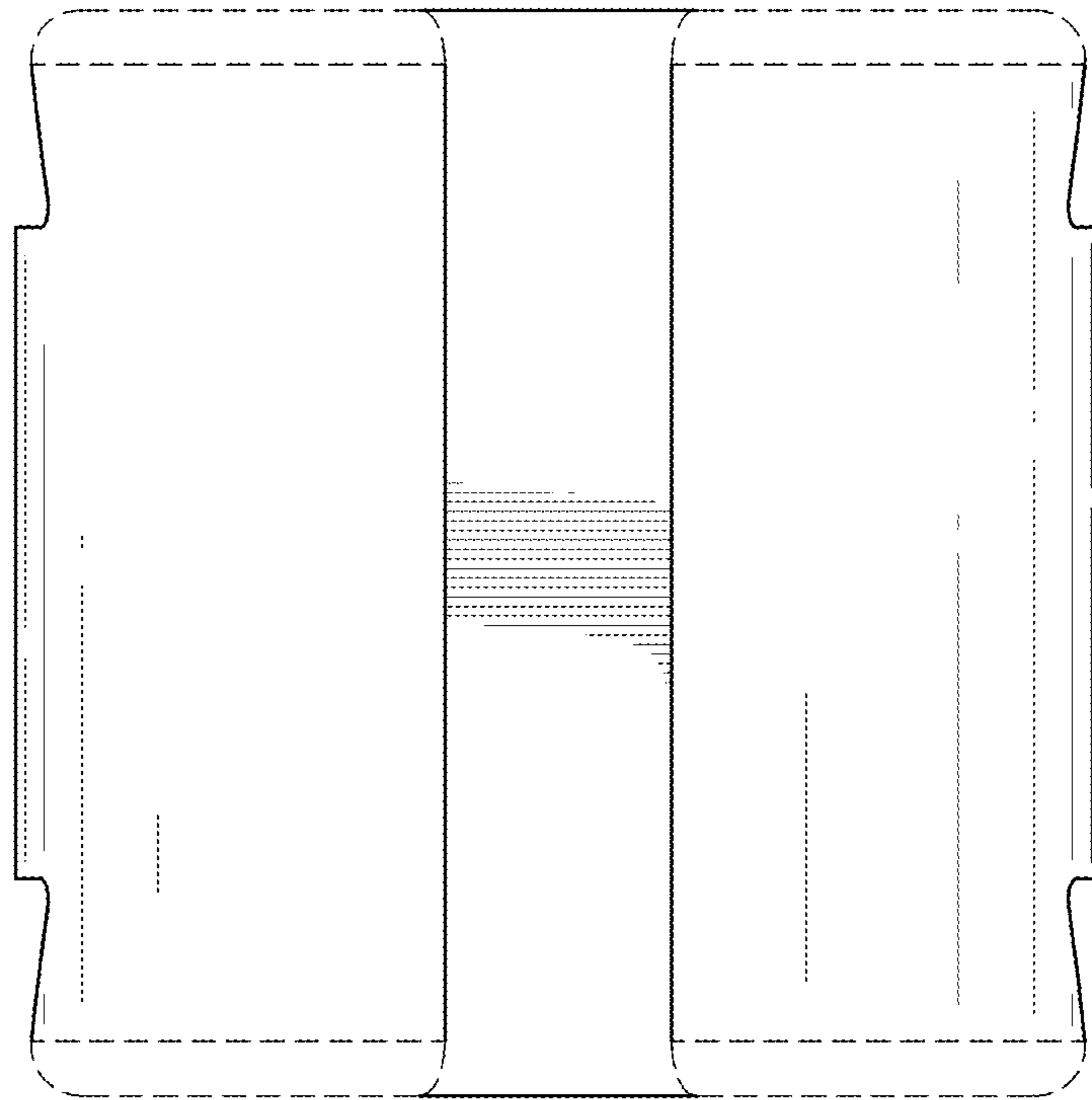


FIG. 6

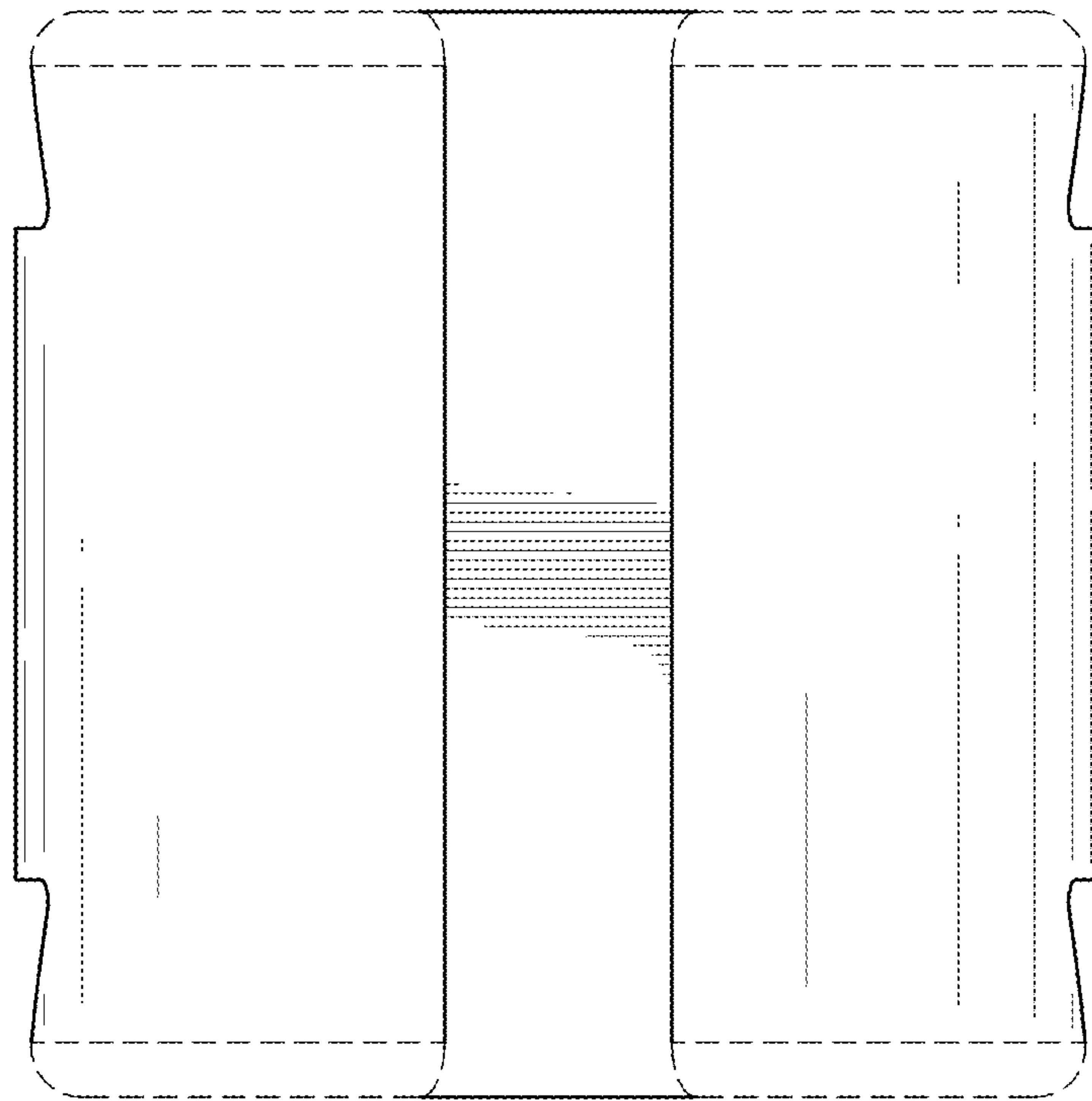


FIG.7

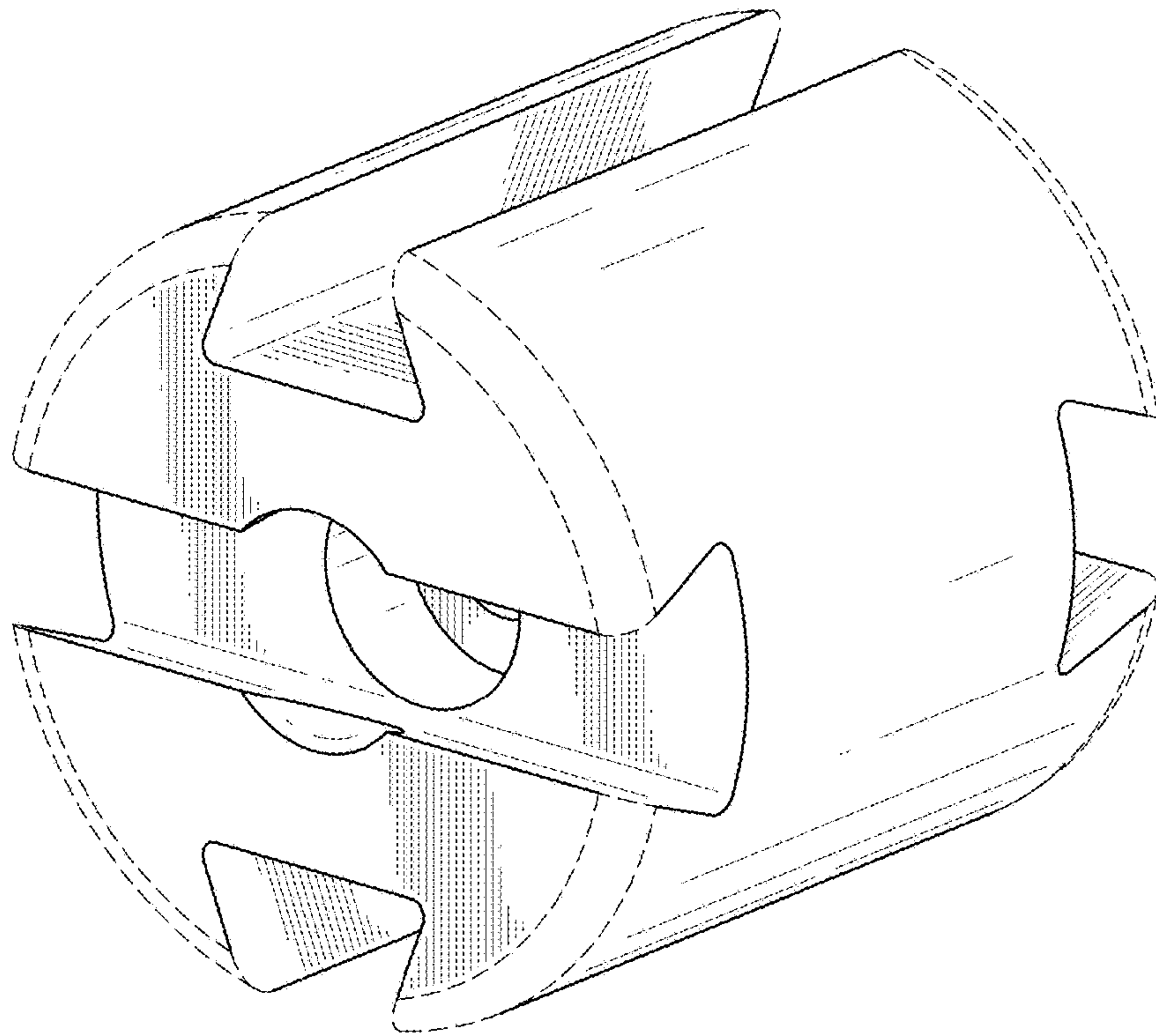


FIG. 8

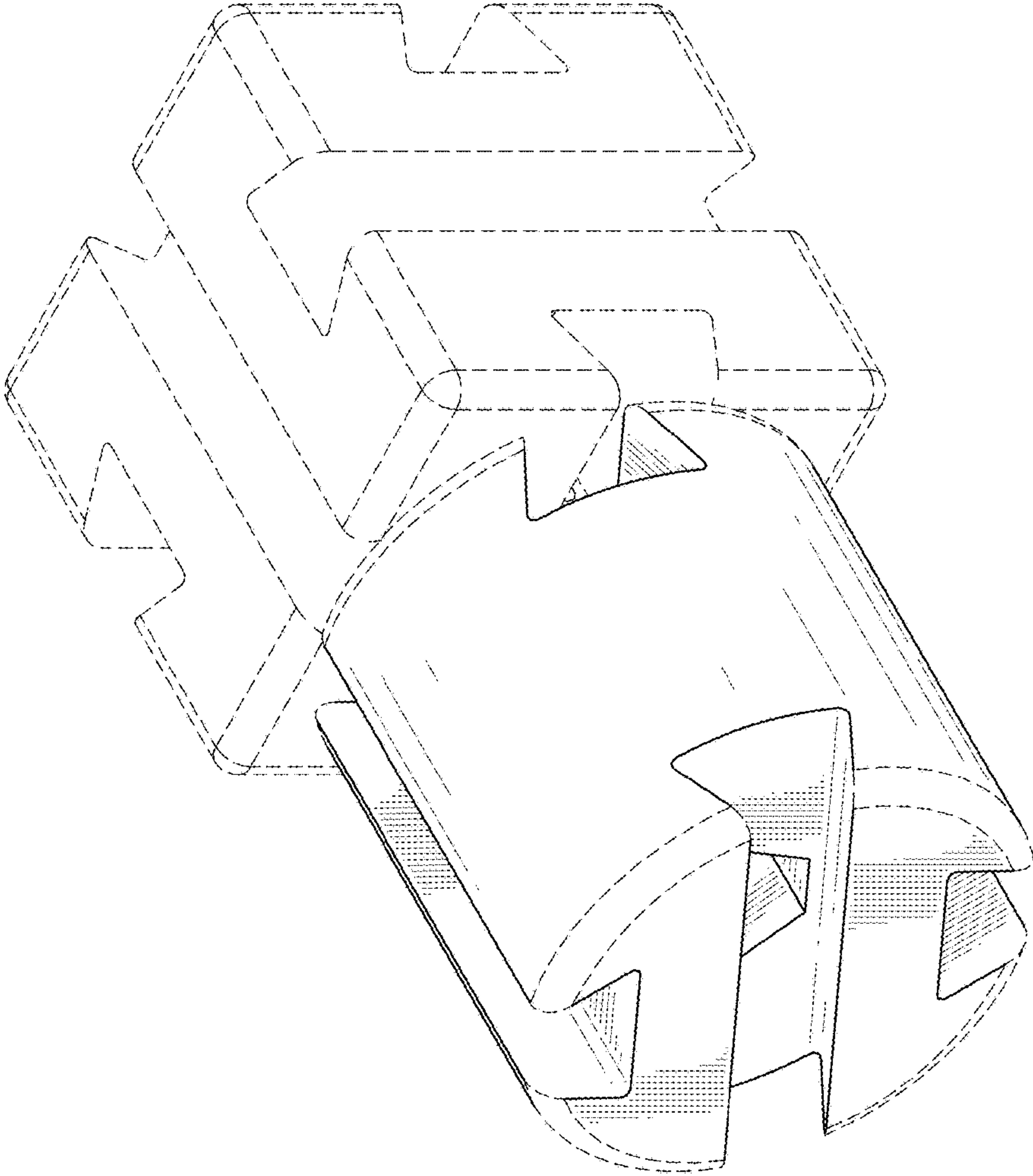


FIG.9