



US00D837898S

(12) **United States Design Patent** (10) **Patent No.:** **US D837,898 S**
Flores (45) **Date of Patent:** **** Jan. 8, 2019**

(54) **TOY TRUCK**

2,211,102 A 8/1940 Davis
2,211,330 A 8/1940 Hochberg
2,270,553 A 1/1942 Potito
2,310,515 A 2/1943 Chester

(71) Applicant: **KIDS II, INC.**, Atlanta, GA (US)

(Continued)

(72) Inventor: **Milton Aaron Flores**, Cambridge, MA (US)

FOREIGN PATENT DOCUMENTS

(73) Assignee: **KIDS II, INC.**, Atlanta, GA (US)

EM 000523626-0001 6/2006
EP 1870351 A1 12/2007
WO 2011057203 A2 5/2011

(**) Term: **15 Years**

(21) Appl. No.: **29/603,203**

OTHER PUBLICATIONS

(22) Filed: **May 8, 2017**

Go Grippers Steam Roller [online] found on Feb. 1, 2018 from URL <https://www.kidsii.com/brands/oball/10736-go-grippers-steam-roller>.*

(51) **LOC (11) Cl.** **21-01**

(52) **U.S. Cl.**

USPC **D21/431**; D21/537; D21/552

(Continued)

(58) **Field of Classification Search**

USPC D12/14, 86, 88, 90-92, 164, 173,
D12/184-186, 190, 196; D21/419, 421,
D21/423, 424-426, 431, 433-435, 472,
D21/537, 539, 541, 548, 549, 550,
D21/552-555, 559, 561; 446/456, 465;
D6/534, 543; D15/20; 404/126

CPC A63H 17/26; A63H 17/262; A63H 17/264;
A63H 17/266; A63H 17/36; A63H 17/38;
A63H 29/00; A63H 29/22; A63H 29/24;
A63H 30/04

See application file for complete search history.

Primary Examiner — Robin V Webster

Assistant Examiner — Keith J Wilson

(74) *Attorney, Agent, or Firm* — Gardner Groff
Greenwald & Villanueva, PC

(57) **CLAIM**

The ornamental design for a toy truck, substantially as shown and described.

DESCRIPTION

FIG. 1 is a top perspective view of a toy truck, showing my new design;

FIG. 2 is a bottom perspective view of the toy truck of FIG. 1;

FIG. 3 is a front view of the toy truck of FIG. 1;

FIG. 4 is a rear view of the toy truck of FIG. 1;

FIG. 5 is a right side view of the toy truck of FIG. 1;

FIG. 6 is a left side view of the toy truck of FIG. 1;

FIG. 7 is a bottom view of the toy truck of FIG. 1; and,

FIG. 8 is a top view of the toy truck of FIG. 1.

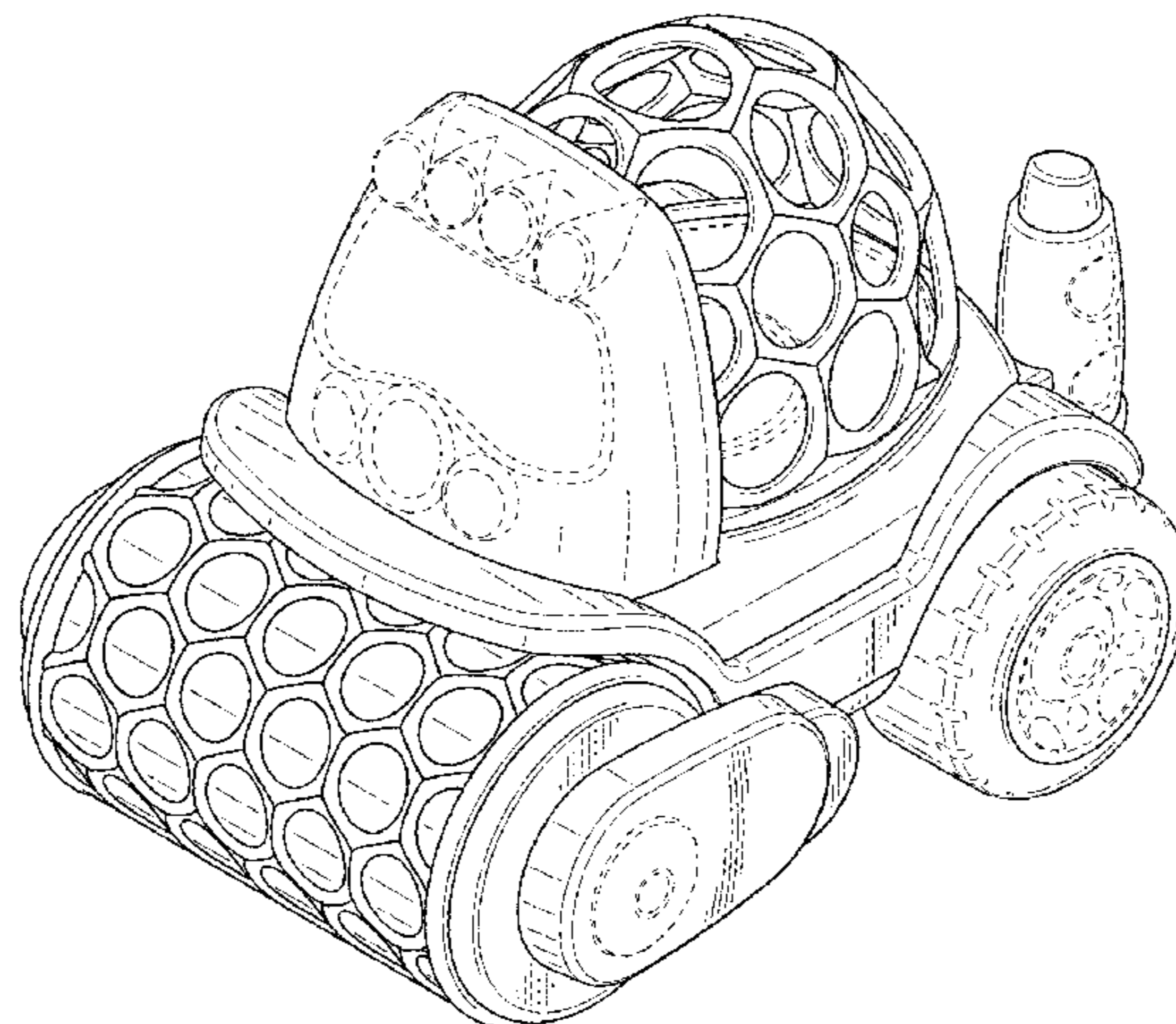
The broken lines shown in the drawings depict portions of the toy truck that form no part of the claimed design.

(56) **References Cited**

U.S. PATENT DOCUMENTS

180,196 A 7/1876 Butler
183,209 A 10/1876 Rich
449,146 A 3/1891 Watrous
693,064 A 2/1902 Proben et al.
1,077,340 A 11/1913 Graham
1,188,904 A 6/1916 Cosgriff
1,319,297 A 10/1919 Limacher
1,429,198 A 9/1922 Fawcett
1,457,360 A 6/1923 Gilbert
1,626,425 A 4/1927 Pelsue
2,006,230 A 6/1935 Dobbins

1 Claim, 4 Drawing Sheets



(56)

References Cited

U.S. PATENT DOCUMENTS

D138,150 S	6/1944	Davidson	5,772,204 A	6/1998	Phelps
2,400,981 A	5/1946	Dishmaker	D396,431 S *	7/1998	Lindgren D12/14
2,499,483 A	3/1950	Foy	5,788,554 A	8/1998	Goodwin et al.
2,519,248 A	8/1950	Hulbert	5,853,313 A	12/1998	Zheng
2,687,302 A	8/1954	Stiegler	D437,010 S	1/2001	Meys
2,717,473 A	9/1955	Moore	6,203,393 B1	3/2001	Flynn
2,742,771 A	4/1956	Negaard	6,279,984 B1	8/2001	Reina, Jr.
2,770,915 A	11/1956	Hicks	D453,571 S	2/2002	Hall
2,937,475 A	5/1960	Crawford	6,418,673 B1	7/2002	Flowerday
3,018,583 A	1/1962	Novotney	6,488,556 B2	12/2002	Galomb
D192,639 S *	4/1962	Mustchuk D21/431	6,517,406 B1	2/2003	Cash
3,046,016 A	7/1962	Laws	6,524,272 B1	2/2003	Berry, Sr.
3,154,882 A	11/1964	Bossiere	D477,441 S	7/2003	Willinger et al.
3,274,596 A	9/1966	Raabe	6,609,944 B1	8/2003	Viola
3,276,148 A	10/1966	Snelson	D479,897 S	9/2003	Willinger
3,483,907 A	12/1969	Corridon	D489,494 S	5/2004	Silvergate
3,531,009 A	9/1970	Saperstein	6,729,984 B2	5/2004	Silvergate
3,571,970 A	3/1971	Dunn et al.	6,769,588 B2	8/2004	Zheng
3,603,023 A	9/1971	McHugh	D514,263 S	1/2006	Willinger
3,633,587 A	1/1972	Hunt	7,152,750 B2	12/2006	Coffey
3,691,704 A	9/1972	Novak	7,169,120 B2	1/2007	Murdock et al.
3,758,116 A	9/1973	Pieronek	D539,367 S	3/2007	Jones
3,768,202 A	10/1973	Wheelock	D563,609 S	3/2008	Gick
3,777,392 A	12/1973	Span et al.	7,520,793 B2	4/2009	Pillai et al.
3,841,039 A	10/1974	Farnsworth, III	D596,248 S	7/2009	Silvergate
3,866,348 A	2/1975	Roby et al.	7,600,488 B2	10/2009	Mann
3,889,950 A	6/1975	Kasravi	7,662,012 B2	2/2010	Wright
3,913,879 A	10/1975	Wright, Jr.	D621,259 S	8/2010	Joy et al.
3,959,937 A	6/1976	Spunt	7,806,746 B2	10/2010	Walterscheid
4,088,319 A	5/1978	Clarke	7,867,101 B2	1/2011	Chiang
D249,978 S *	10/1978	Samson D21/537	7,867,115 B2	1/2011	Zawitz
4,128,909 A	12/1978	Kawabe et al.	7,901,375 B2	3/2011	Dunn et al.
D252,223 S *	6/1979	Asano D21/537	D635,685 S	4/2011	Hendricks et al.
4,213,266 A	7/1980	Hyland et al.	D636,949 S	4/2011	Axelrod et al.
4,274,224 A	6/1981	Pugh et al.	7,931,520 B2	4/2011	Bryce
4,282,679 A	8/1981	Grubb et al.	D646,792 S	10/2011	Pope
4,309,852 A	1/1982	Stolpin	8,052,552 B2	11/2011	Silvergate
4,381,620 A	5/1983	Panzarella	D668,269 S *	10/2012	Tezuka D15/20
4,403,441 A	9/1983	White et al.	8,282,518 B2	10/2012	Silvergate et al.
4,476,649 A	10/1984	Zaruba	8,371,899 B1	2/2013	Walterscheid
4,514,995 A	5/1985	Curtis et al.	8,506,345 B2	8/2013	Tigan et al.
4,579,538 A	4/1986	Bass et al.	D694,278 S *	11/2013	Ewringmann D15/20
D284,493 S	7/1986	King	D694,279 S *	11/2013	Ewringmann D15/20
4,610,637 A	9/1986	Ferguson	8,579,133 B2	11/2013	Marcus et al.
D287,988 S	1/1987	Billinghurst	8,764,511 B2	7/2014	Verbera et al.
4,637,941 A	1/1987	Rochte	8,851,956 B2	10/2014	Niu
4,645,471 A	2/1987	Herring et al.	D721,769 S *	1/2015	Johnson D21/552
4,778,429 A	10/1988	Todokoro	8,932,101 B2	1/2015	Silvergate et al.
4,813,674 A	3/1989	Lorhpiapat	8,998,670 B1	4/2015	De Leon
4,836,787 A	6/1989	Boo	9,101,535 B2	8/2015	Silvergate et al.
4,869,701 A	9/1989	Kawai et al.	9,161,888 B2	10/2015	Lamar
4,883,441 A	11/1989	Byer	9,271,552 B2	3/2016	Van Ostenbridge
4,929,216 A	5/1990	Morris et al.	9,289,695 B2	3/2016	Sadri et al.
4,941,579 A	7/1990	Lee	D765,735 S *	9/2016	Roemer D15/20
D317,637 S *	6/1991	Mayuzumi D21/472	D767,688 S	9/2016	Nelson
5,104,125 A	4/1992	Wilson	D771,202 S *	11/2016	Gan D21/552
5,174,580 A	12/1992	Pratt	D796,557 S *	9/2017	Loew D15/20
5,195,917 A	3/1993	Russell et al.	D800,793 S *	10/2017	Loew D15/20
D336,317 S	6/1993	Thomson et al.	2004/0221885 A1	11/2004	Zheng
5,219,162 A	6/1993	Orbanes et al.	2005/0142980 A1	6/2005	Rivero
5,224,959 A	7/1993	Kasper	2007/0077857 A1	4/2007	Wright
5,236,196 A	8/1993	Blankenburg et al.	2008/0032826 A1	2/2008	Mubarak et al.
D340,991 S	11/1993	Clements	2009/0170643 A1	7/2009	Silvergate
5,309,586 A	5/1994	Sies et al.	2009/0170645 A1	7/2009	Silvergate
D352,753 S	11/1994	Giannini et al.	2011/0256797 A1	10/2011	Chernick et al.
5,364,348 A	11/1994	Berry, Sr.	2012/0171924 A1	7/2012	Karnick et al.
5,411,262 A	5/1995	Smith	2014/0044483 A1 *	2/2014	Kreutz E01C 19/26 404/126
D359,327 S	6/1995	Gould	2015/0297955 A1	10/2015	Silvergate et al.
5,449,174 A	9/1995	Criner	2015/0328515 A1	11/2015	Prendergast
5,451,436 A	9/1995	Shelleman	2016/0051862 A1	2/2016	Silvergate et al.
D366,288 S	1/1996	Kino	2016/0310856 A1	10/2016	Mitchell et al.
5,611,721 A	3/1997	Hoeting et al.	2017/0007937 A1	1/2017	Elson et al.
D379,206 S	5/1997	Meffert			
5,759,083 A	6/1998	Polumbaum et al.			
5,766,701 A	6/1998	Lee			

OTHER PUBLICATIONS

Odball Go Grippers Pink Vehicles [online found on Feb. 1, 2018 from URL https://www.fatbraintoy.com/toy_companies/toysmith/oball_go_grippers_pink_vehicles.cfm.*

(56)

References Cited

OTHER PUBLICATIONS

Go Grippers Truck Assortment [online] found on Feb. 1, 2018 from URL <https://www.kidsii.com/brands/oball/11519-go-grippers-truck-assortment>.*

Binxy (Paci-Sphere) Product Description Document; Sep. 13, 2009; 2 pgs.

Grab Ball Toy Product Description Document; 2 pgs; Jul. 28, 2001.

Hol-ee Roller Toy Product Description Document; 2 pgs; Jul. 28, 2001.

ISA Korean Intellectual Property Office, International Search Report of PCT/US2010/055855; Jul. 27, 2011; 9 pgs.

International Search Report for PCT/US2011/023339; 3 pgs; Oct. 27, 2011.

Mother's Cubbard Booth Listing; Sep. 13, 2009; 2 pgs.

Mother's Cubbard Name Tag; Sep. 13, 2009; 2 pgs.

Popko, Edward; Geodesics; Fig. No. 62 of "Bicycle Wheel" Dome; University of Detroit Press; 1 pg.; 1968.

Sportime(R) Fall 2003 Catalog; p. 21; 2003.

* cited by examiner

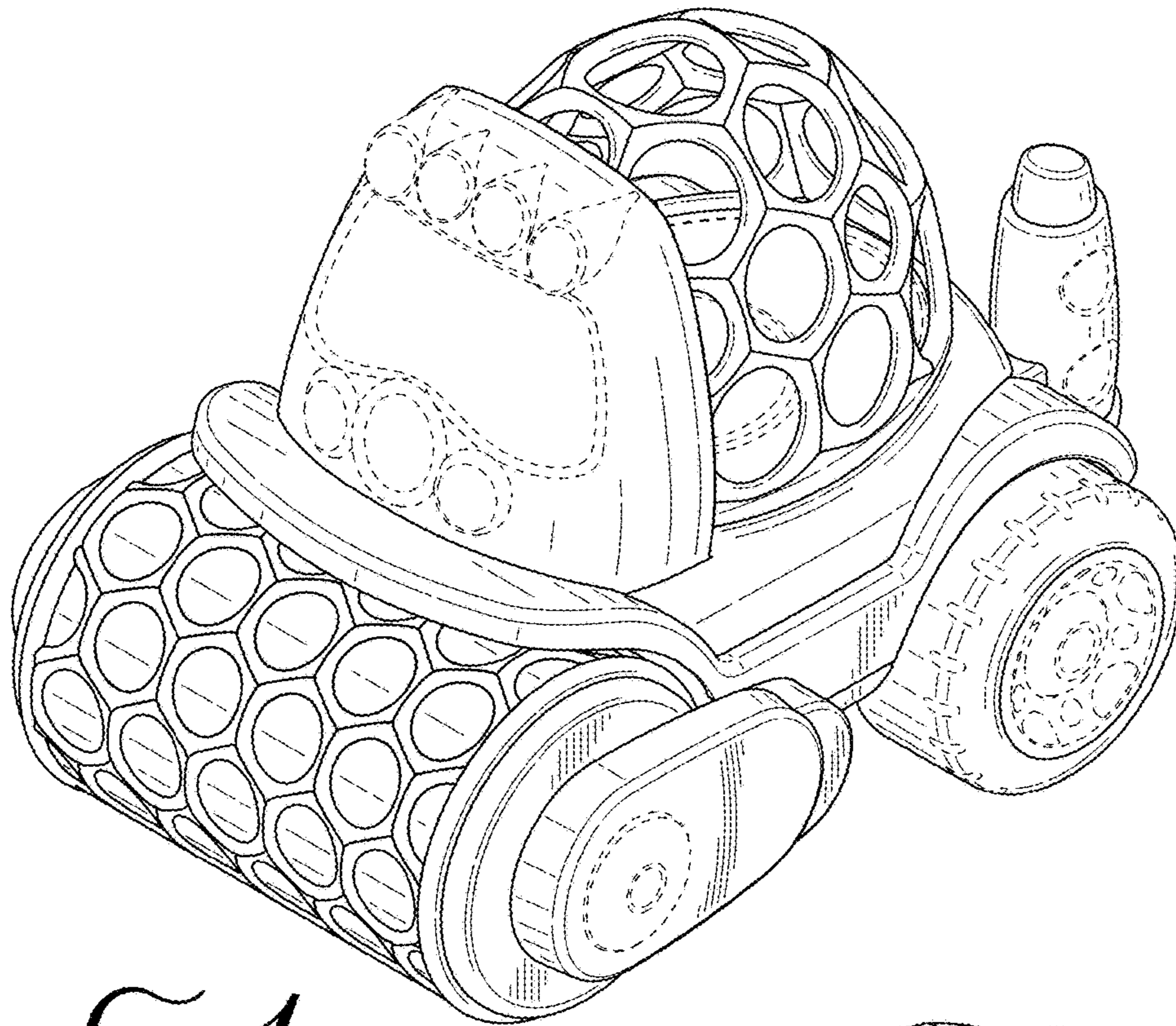


FIG. 1

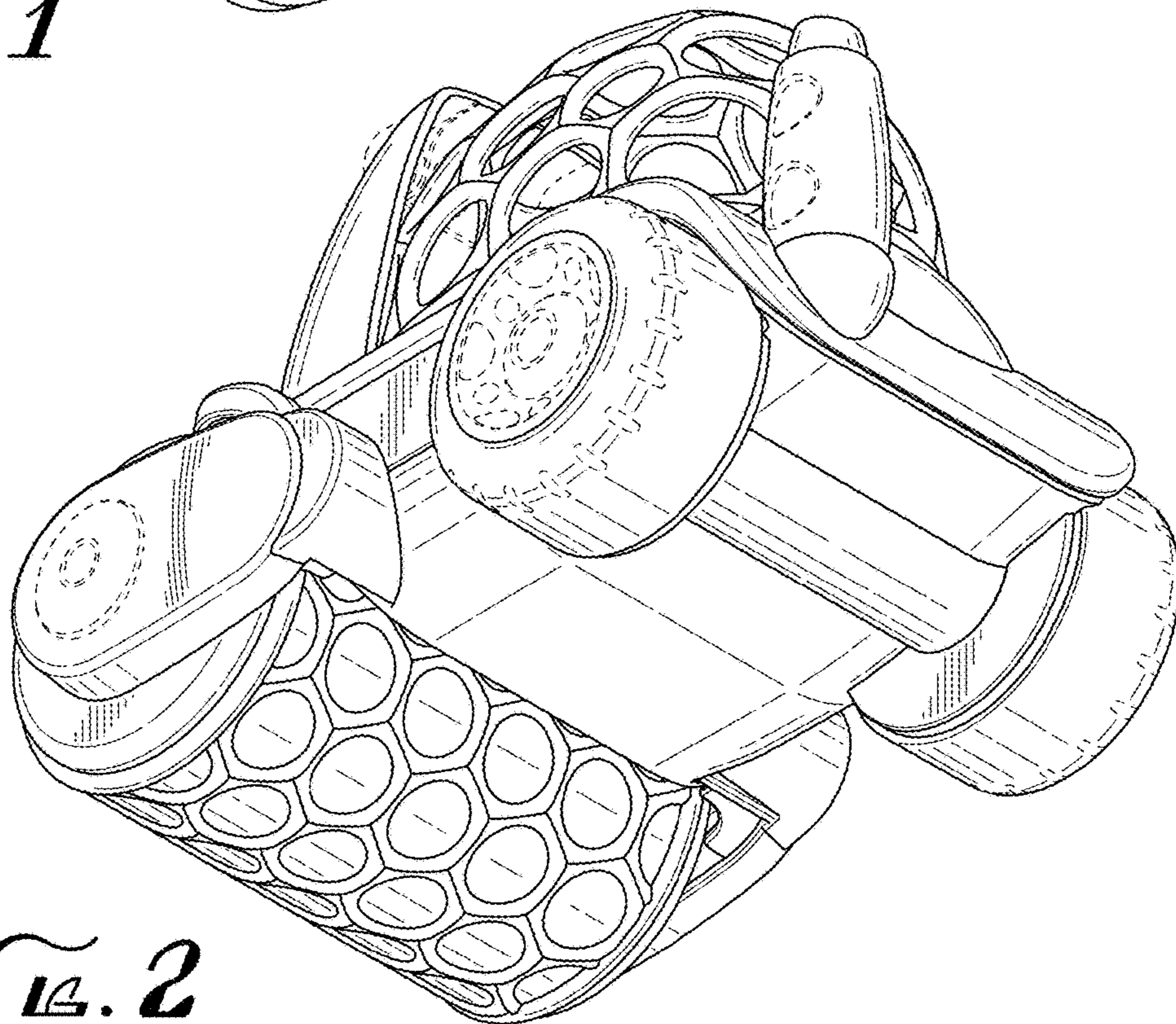


FIG. 2

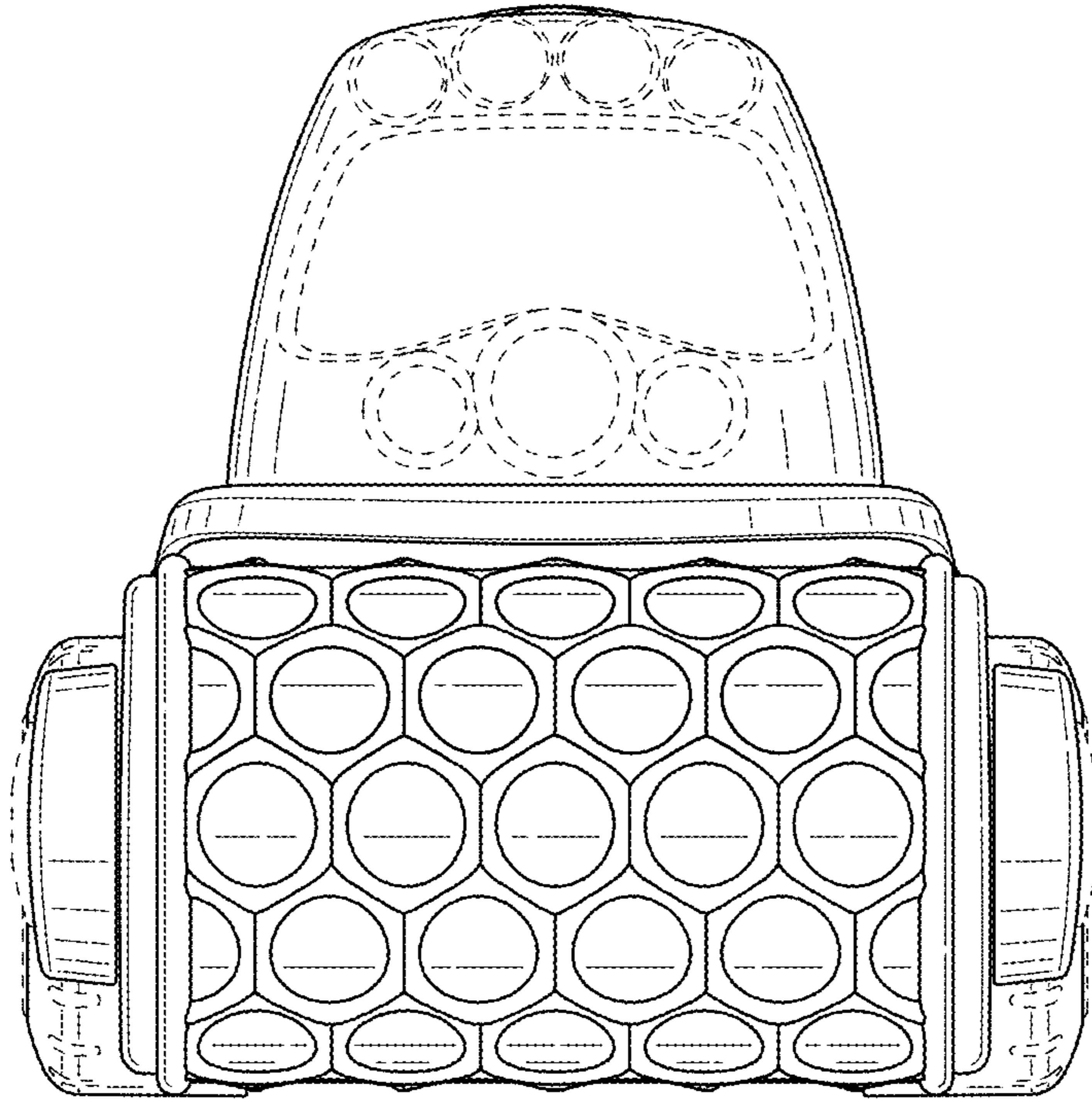


FIG. 3

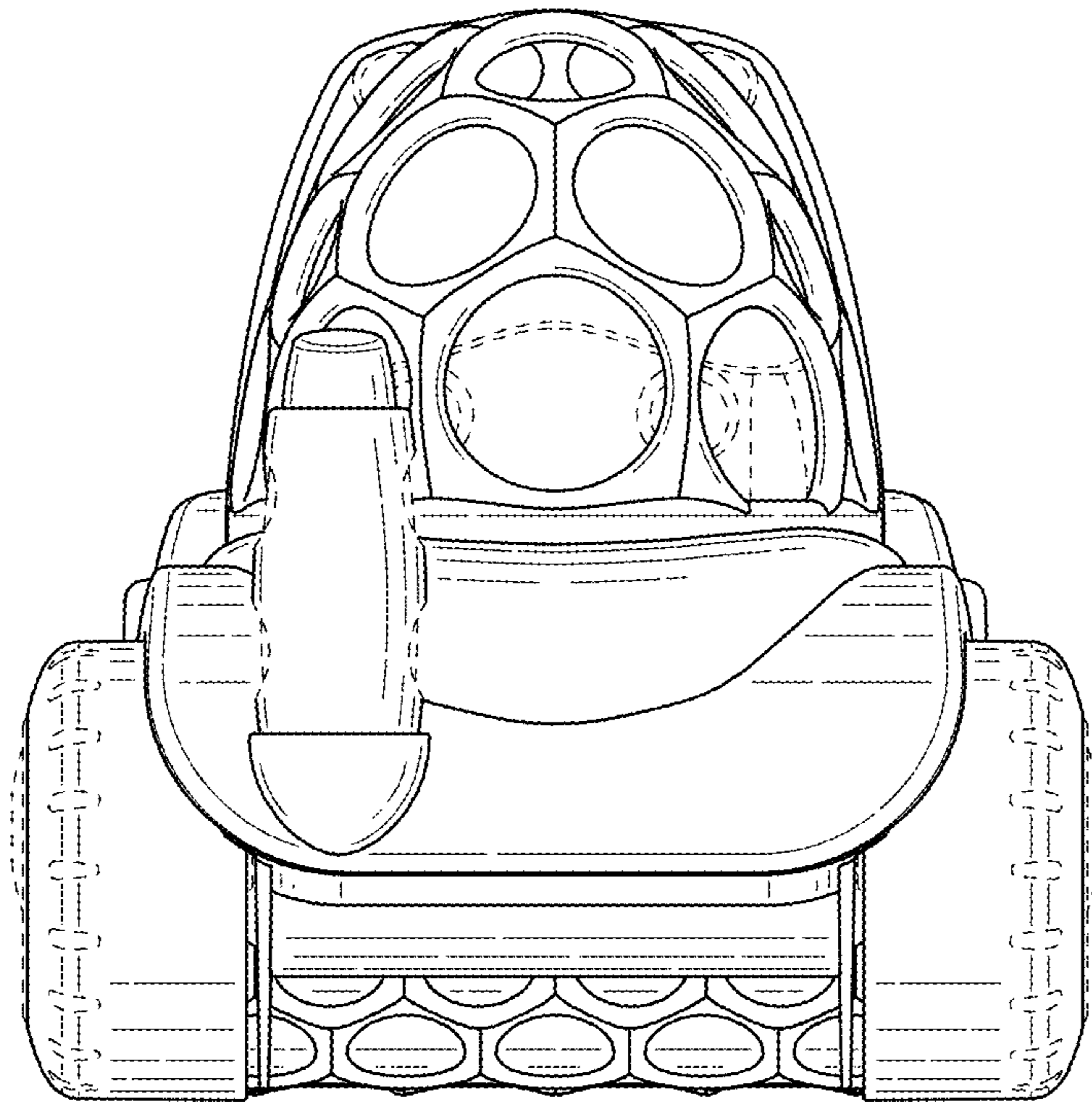


FIG. 4

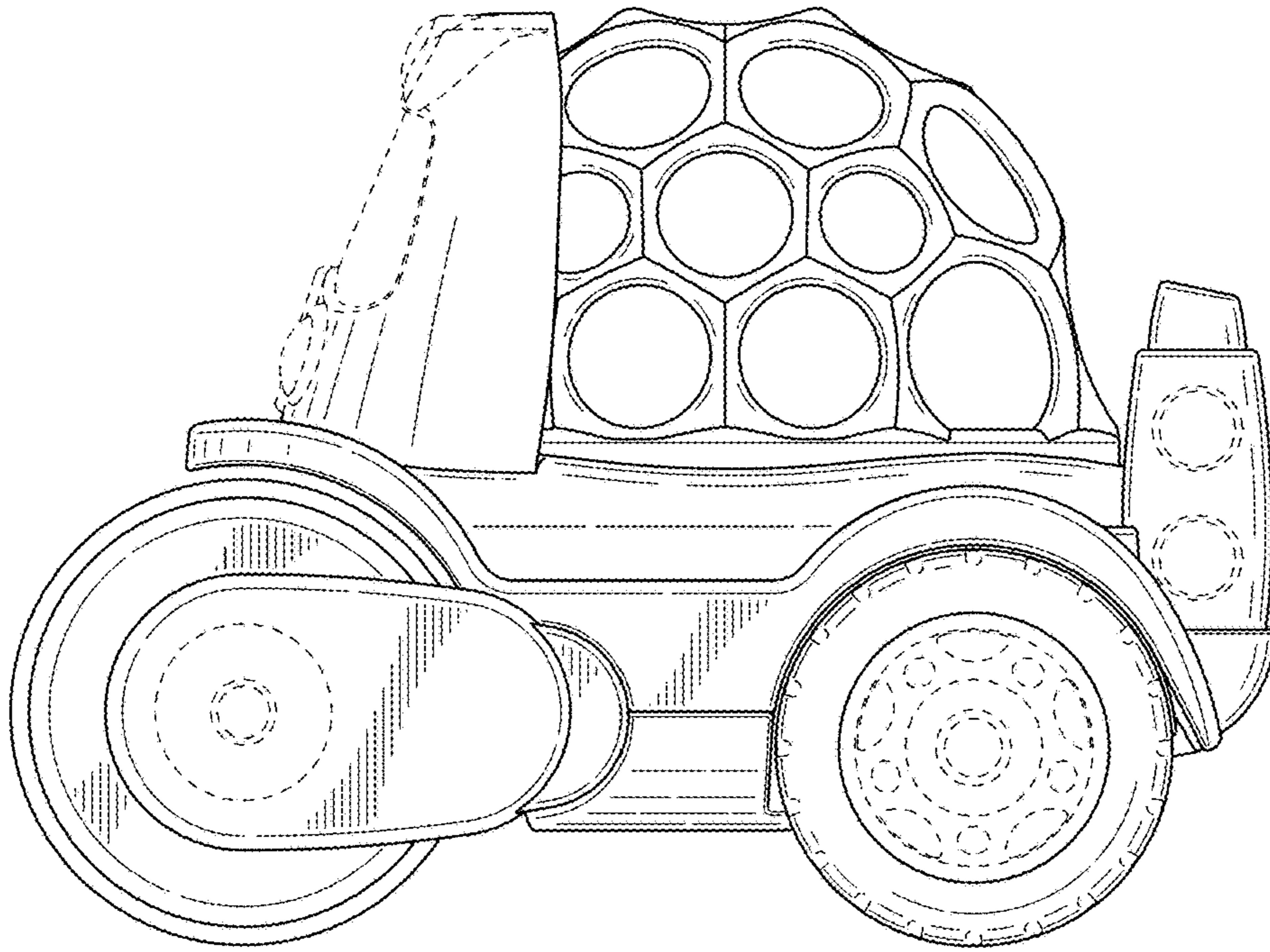


FIG. 5

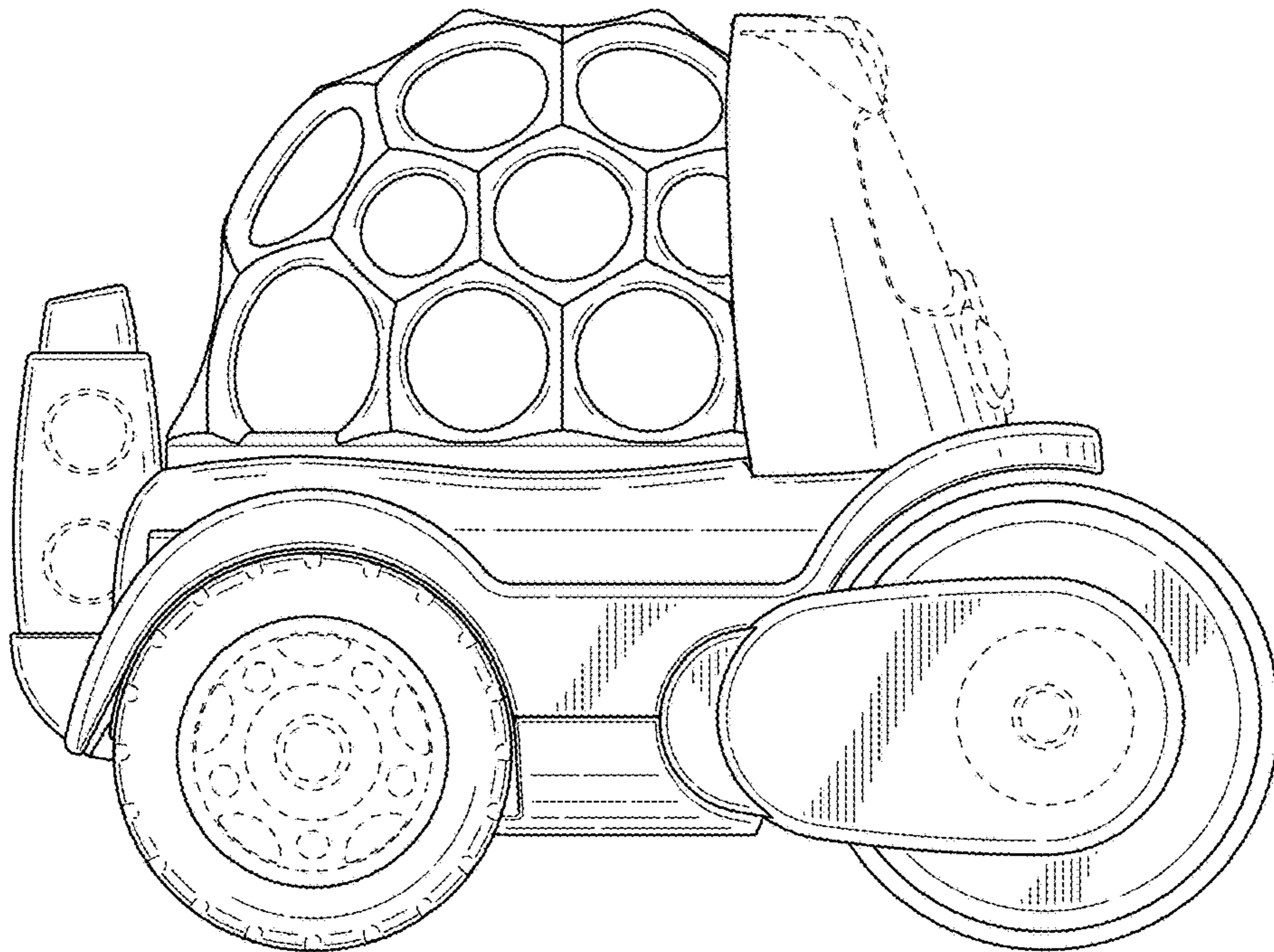


FIG. 6

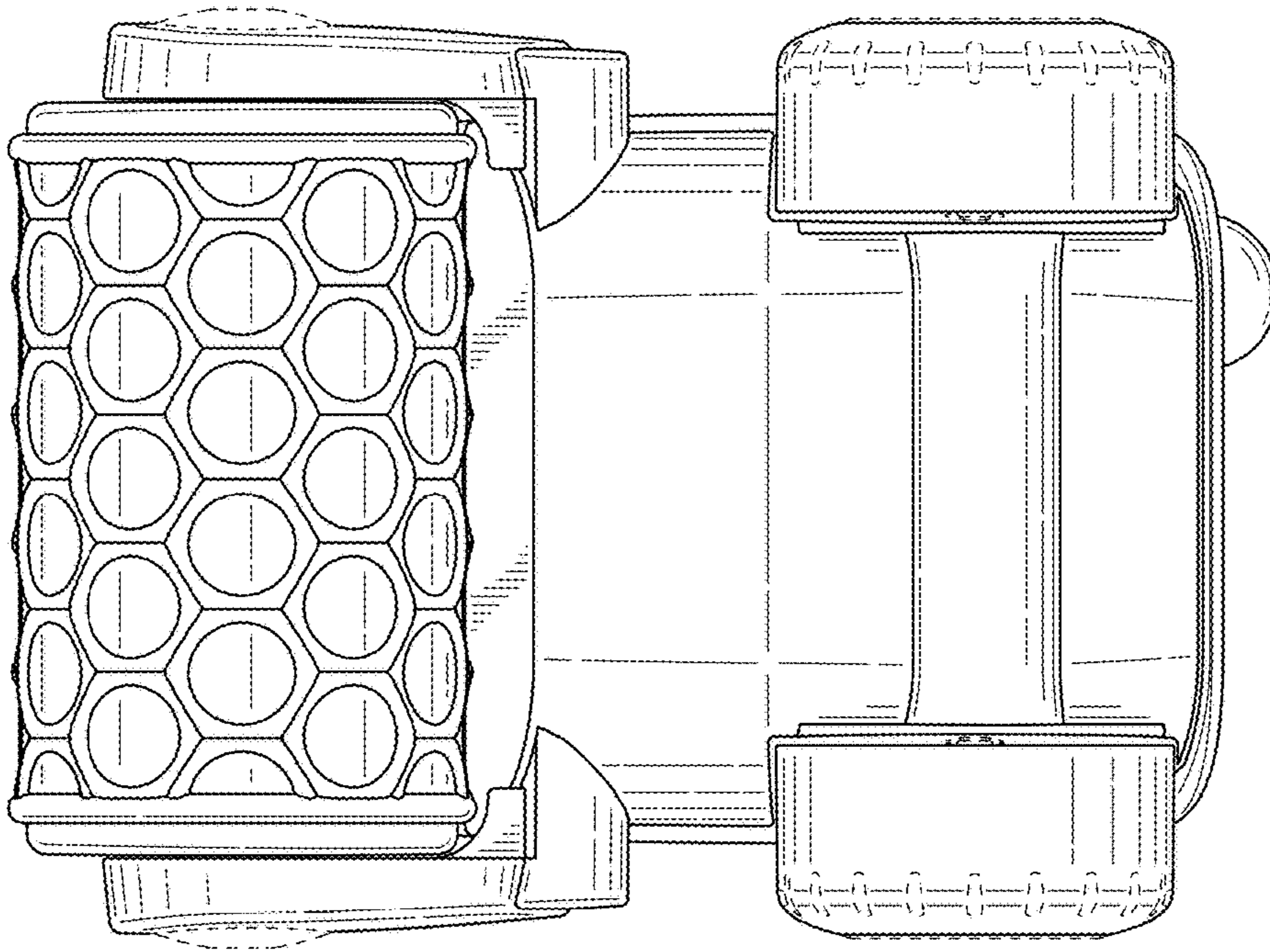


FIG. 8

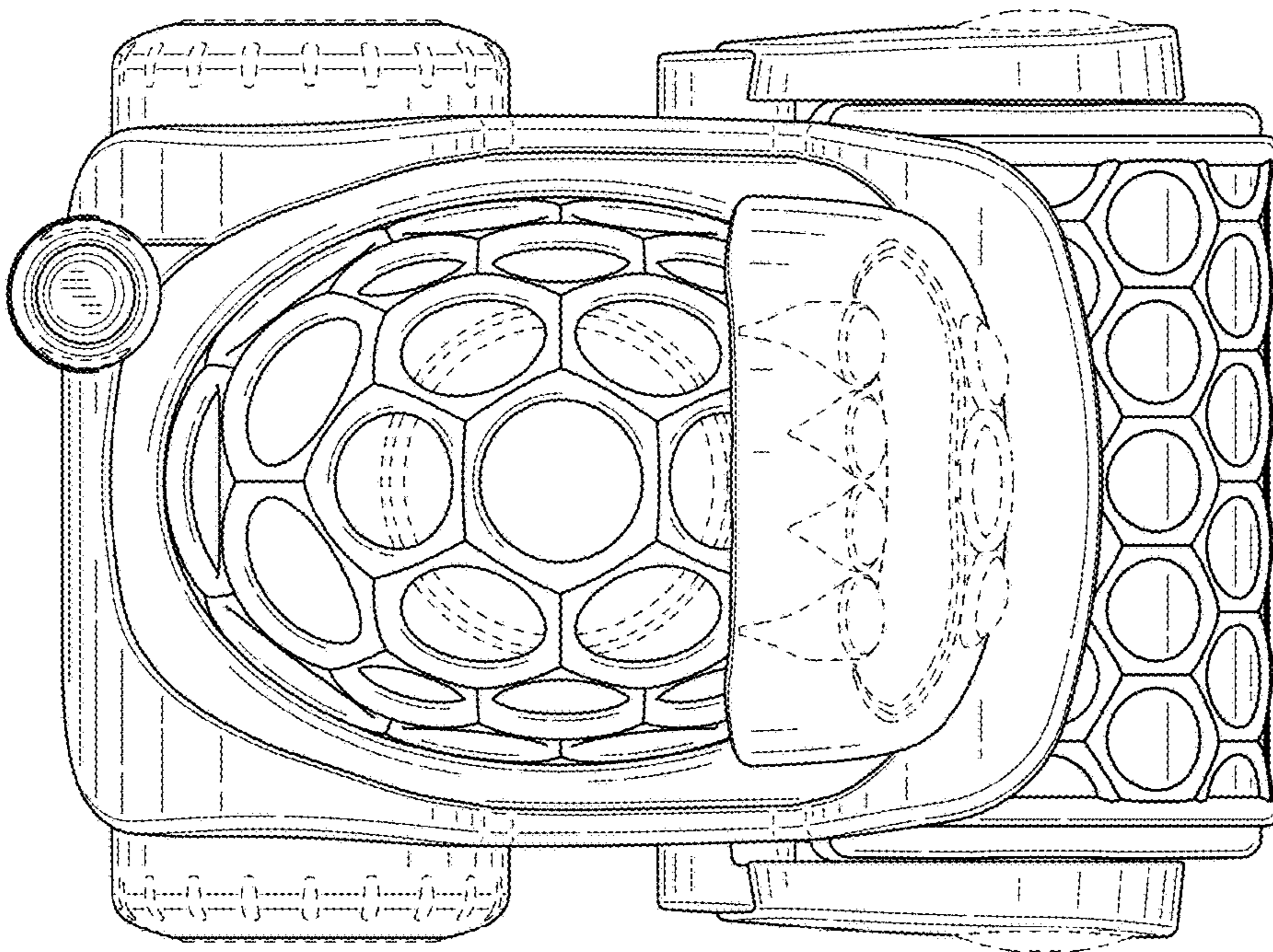


FIG. 7