



US00D837897S

(12) **United States Design Patent**
Mayson

(10) **Patent No.:** **US D837,897 S**

(45) **Date of Patent:** **** *Jan. 8, 2019**

- (54) **TOY AIRPLANE WALKER**
- (71) Applicant: **Samuel O. Mayson**, Vallejo, CA (US)
- (72) Inventor: **Samuel O. Mayson**, Vallejo, CA (US)
- (*) Notice: This patent is subject to a terminal disclaimer.
- (**) Term: **15 Years**
- (21) Appl. No.: **29/620,612**
- (22) Filed: **Mar. 15, 2017**
- (51) **LOC (11) Cl.** **21-01**
- (52) **U.S. Cl.**
USPC **D21/430**
- (58) **Field of Classification Search**
USPC D12/3, 16.1, 319-345, 112;
D21/436-455, 421, 430
CPC . B64C 39/024; B64C 2201/108; A63H 17/38;
A63H 17/36
See application file for complete search history.

(56) **References Cited**

U.S. PATENT DOCUMENTS

D221,565 S *	8/1971	Dunbar	D21/430
D233,621 S *	11/1974	Campbell	D12/108
D234,212 S *	1/1975	Morin	D21/430
D258,302 S *	2/1981	Murasaki	D21/430
D304,846 S *	11/1989	Hahn	D21/430
D355,870 S *	2/1995	Dieudonne	D12/112
D418,105 S *	12/1999	Margaritoff	D12/319
D427,112 S *	6/2000	Chaudeurge	D12/112
D454,601 S *	3/2002	Cheng	D21/430
D455,796 S *	4/2002	Wu	D21/430
D503,752 S *	4/2005	Chiappetta	D21/430
D504,862 S *	5/2005	Seidel	D12/319

D555,045 S *	11/2007	On	D12/112
D677,737 S *	3/2013	Mayson	D21/430
9,022,311 B2 *	5/2015	Thomas	B64C 7/02 244/1 N
9,039,484 B1 *	5/2015	Mayson	A63H 17/05 280/47.11
D760,637 S *	7/2016	Cummings	D12/343
D762,157 S *	7/2016	Faure	D12/342
D762,548 S *	8/2016	Faure	D12/342
D787,378 S *	5/2017	Ostergaard	D12/112
2012/0160968 A1 *	6/2012	Barmichev	B64C 1/00 244/45 R
2013/0029560 A1 *	1/2013	Mayson	A63H 17/38 446/468
2013/0099053 A1 *	4/2013	Barmichev	B64C 1/10 244/102 R
2014/0099861 A1 *	4/2014	Mayson	A63H 17/36 446/468

* cited by examiner

Primary Examiner — Robert M. Spear
Assistant Examiner — Marissa J Cash
(74) *Attorney, Agent, or Firm* — Paul R. Martin

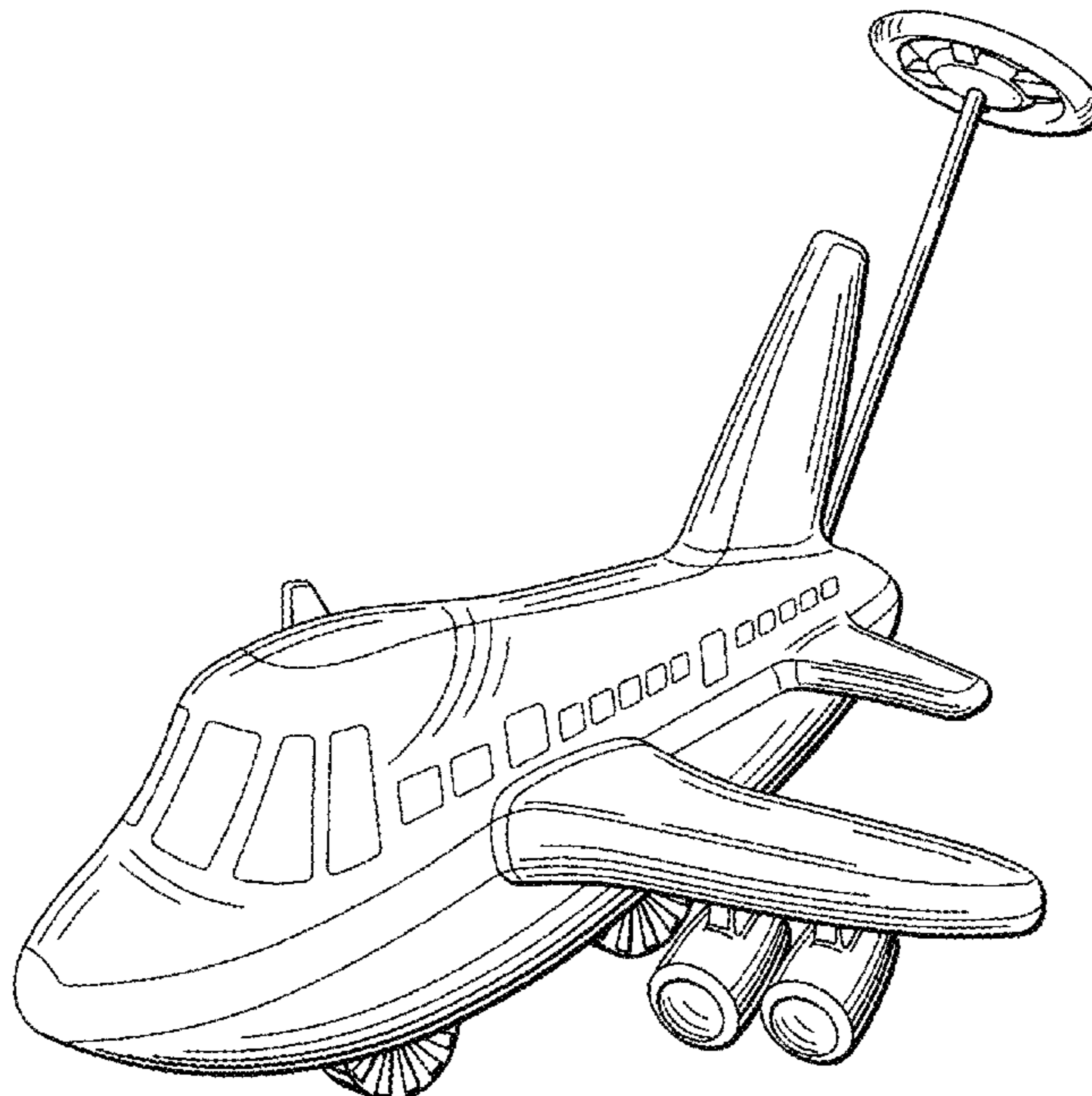
(57) **CLAIM**

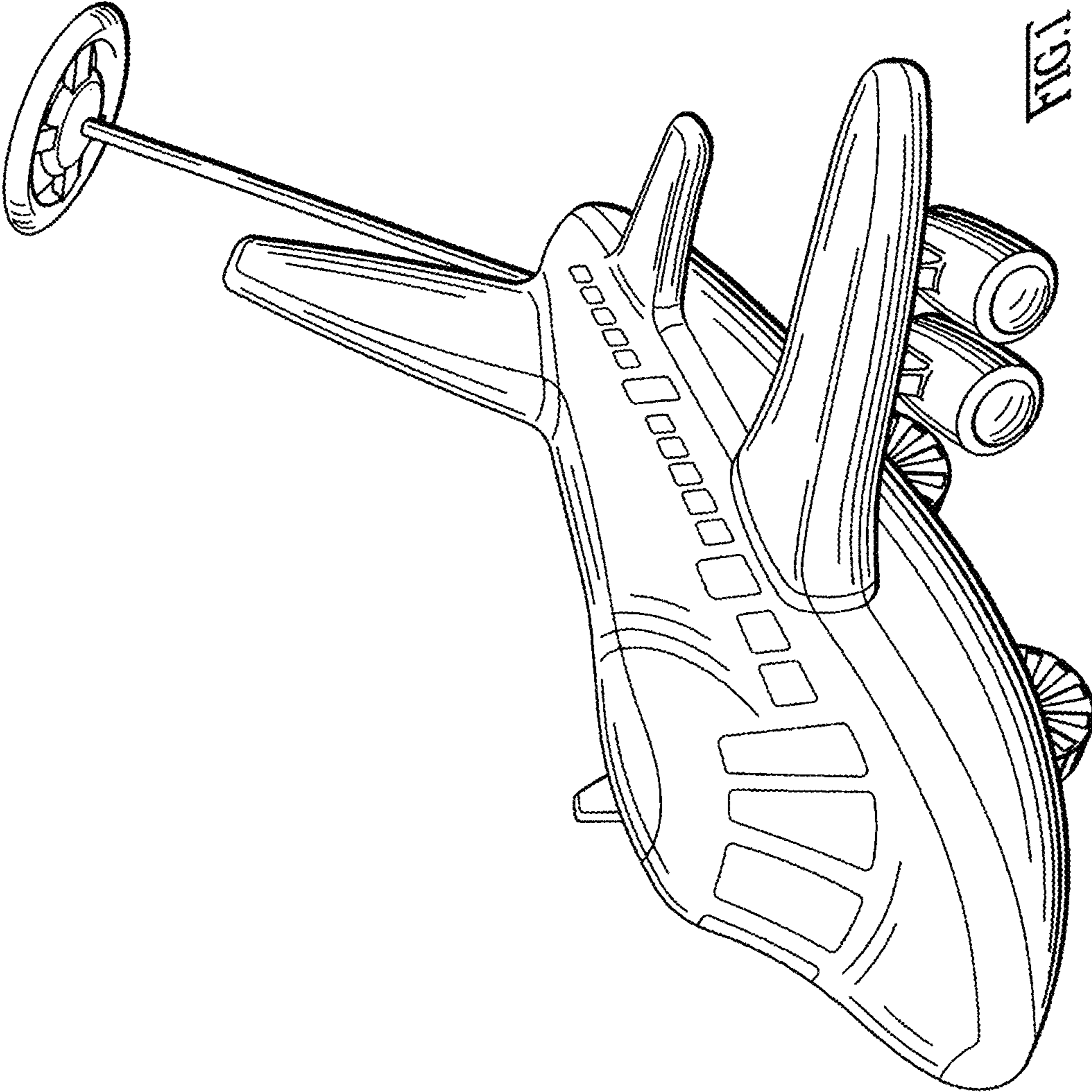
The ornamental design for a toy airplane walker , as shown and described.

DESCRIPTION

FIG. 1 is a perspective view of the toy airplane walker of my new design.
FIG. 2. Is a top plan view thereof.
FIG. 3 is a side elevational view thereof. The opposite side view is a mirror image thereof.
FIG. 4 is a front elevational view thereof; and,
FIG. 5 is a rear elevational view thereof.

1 Claim, 5 Drawing Sheets





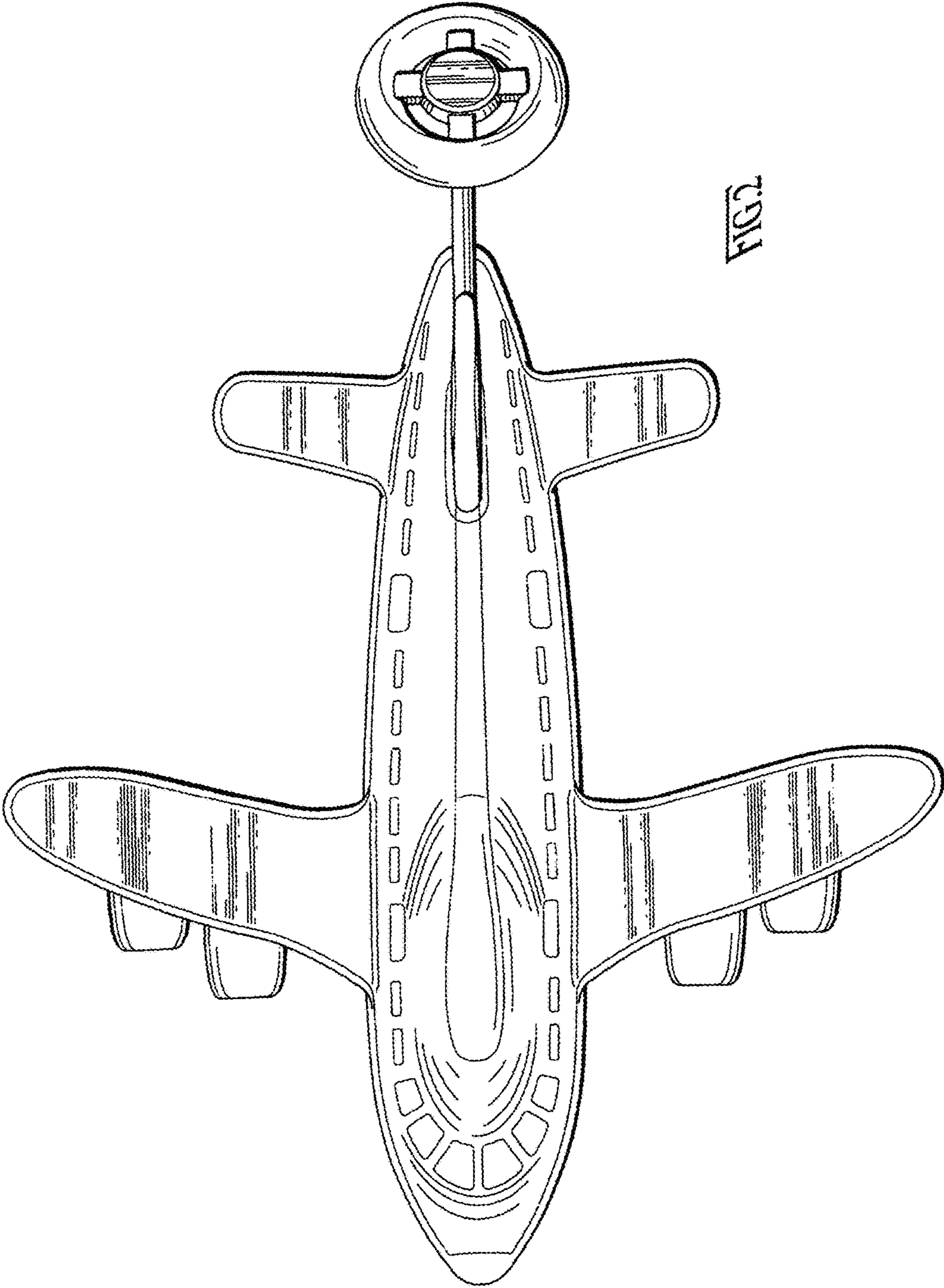
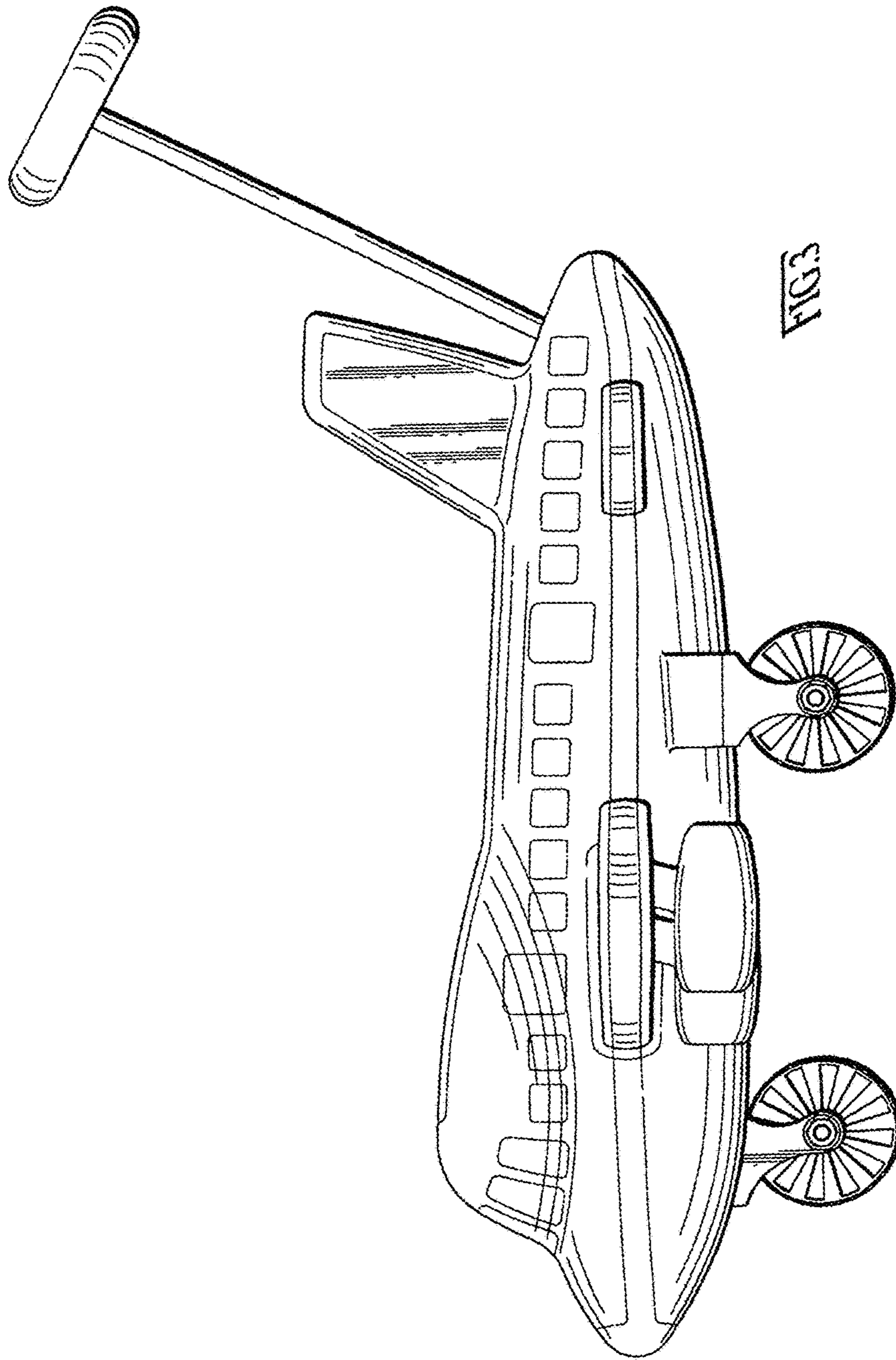


FIG. 2



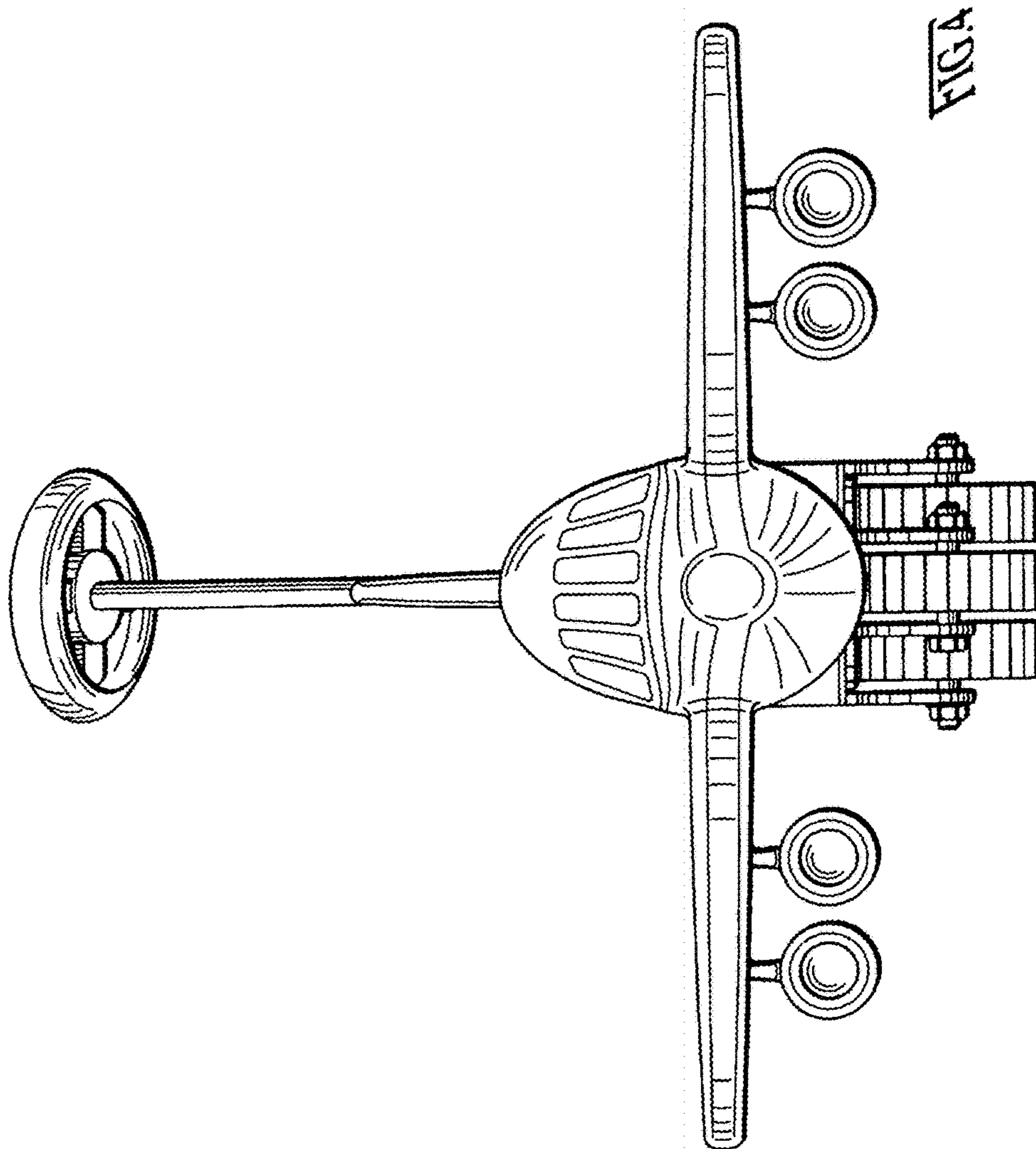


FIG. 1

