

US00D837892S

(12) **United States Design Patent**  
**Armand**

(10) **Patent No.:** **US D837,892 S**  
(45) **Date of Patent:** **\*\* Jan. 8, 2019**

(54) **SUPPORT FOR COMPUTER GAME JOYSTICKS**

(71) Applicant: **Romain Armand**, Marseilles (FR)

(72) Inventor: **Romain Armand**, Marseilles (FR)

(\*\*) Term: **15 Years**

(21) Appl. No.: **35/504,139**

(22) Filed: **Aug. 29, 2017**

(80) **Hague Agreement Data**

Int. Filing Date: **Aug. 29, 2017**

Int. Reg. No.: **DM/098791**

Int. Reg. Date: **Aug. 29, 2017**

Int. Reg. Pub. Date: **Dec. 15, 2017**

(51) **LOC (11) Cl.** ..... **14-99**

(52) **U.S. Cl.**  
USPC ..... **D21/333**

(58) **Field of Classification Search**  
USPC ..... D21/333; D8/300, 301, 303, 306, 354,  
D8/355, 363; D14/388, 412-416, 418  
CPC ..... A61B 2034/742; G05G 1/01; G05G 1/58;  
G05G 1/62; G06F 3/014  
See application file for complete search history.

(56) **References Cited**

**U.S. PATENT DOCUMENTS**

6,688,571 B1 *	2/2004	Pauls	.....	A61G 5/04 248/282.1
D544,923 S *	6/2007	Brase	.....	D21/326
D590,893 S *	4/2009	Roberts	.....	D21/324
D599,352 S *	9/2009	Takamoto	.....	D14/400
D682,946 S *	5/2013	Ashida	.....	D21/333
D688,312 S *	8/2013	Block	.....	D21/324
D703,764 S *	4/2014	Griffith	.....	G06T 15/20 D14/129
D726,832 S *	4/2015	Chou	.....	D14/400
D728,030 S *	4/2015	Burgess	.....	D21/333
D742,973 S *	11/2015	Park	.....	D14/401

D743,490 S *	11/2015	Park	.....	D14/401
D749,936 S *	2/2016	Phillips	.....	D8/355
D784,990 S *	4/2017	Huang	.....	A61G 5/04 D14/400
D823,397 S *	7/2018	Nokuo	.....	D21/333
D824,626 S *	7/2018	Vosbikian	.....	D32/52

**OTHER PUBLICATIONS**

Hazz, Nyam. ProTube VR: the virtual rifle, Jul. 24, 2017, Millenium.org [retrieved on Oct. 10, 2018]. Retrieved from the internet <URL: <https://www.millenium.org/news/270799.html>> (Year: 2017).\*

\* cited by examiner

*Primary Examiner* — George D. Kirschbaum

*Assistant Examiner* — Joseph J Kukella

(57) **CLAIM**

The ornamental design for a support for computer game joysticks, as shown and described.

**DESCRIPTION**

1. Support for computer game joysticks

**1.1** : Perspective

**1.2** : Front

**1.3** : Top

**1.4** : Front

**1.5** : Perspective

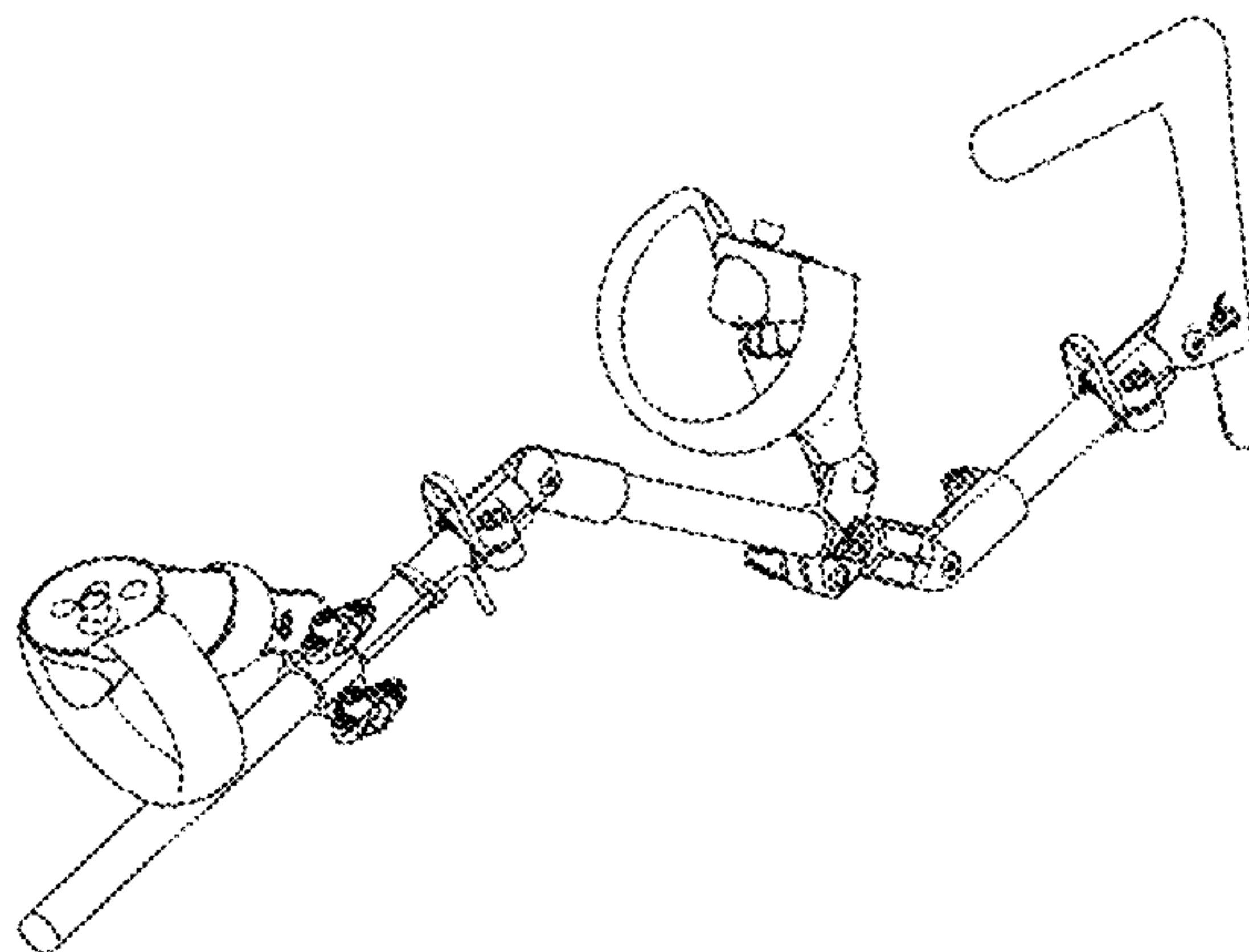
**1.6** : Front

**1.7** : Top

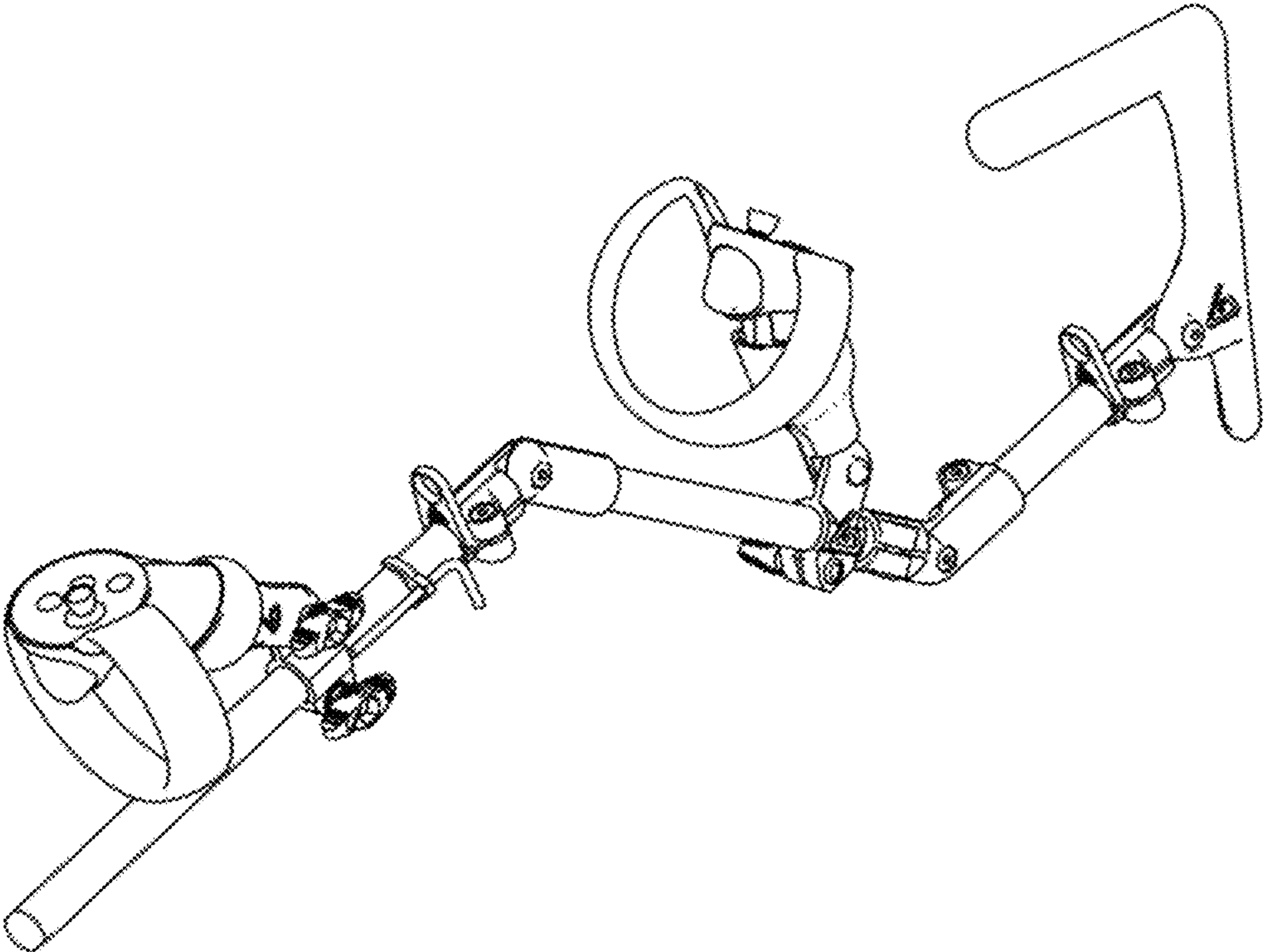
**1.8** : Front

Support for joysticks intended for virtual reality; representations: **1.1**: perspective view showing a possible product setting; **1.2**: front view of the product; **1.3**: top view of the product; **1.4**: front view showing a possible product setting (specific setting for storage); **1.5**: perspective view showing a possible product setting; **1.6**: front view; **1.7**: top view; **1.8**: front view showing a possible product setting (specific setting for storage); the joysticks are shown but are excluded from the scope of protection (disclaimer).

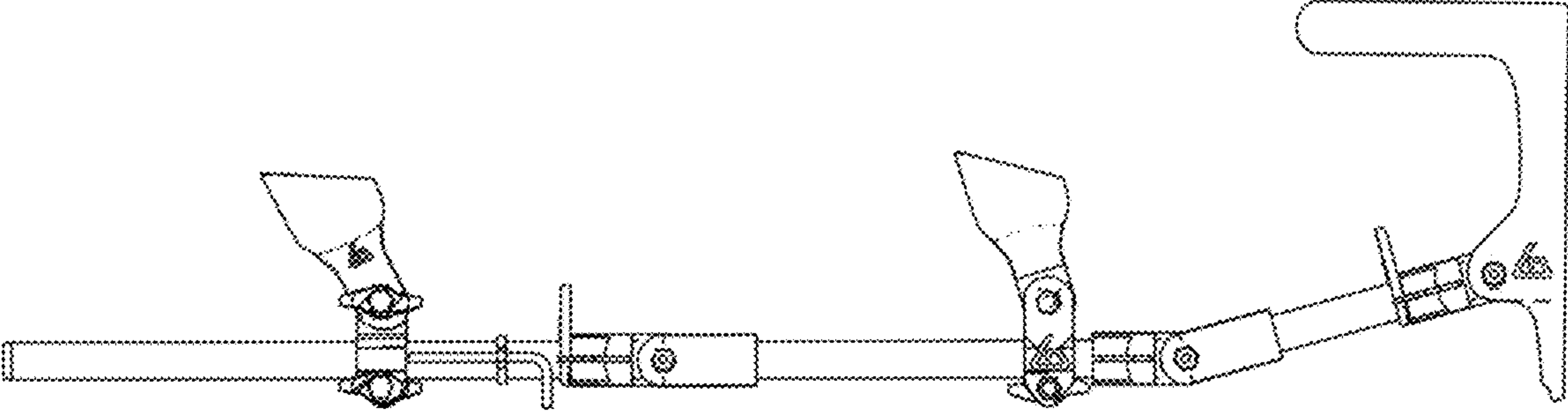
**1 Claim, 8 Drawing Sheets**



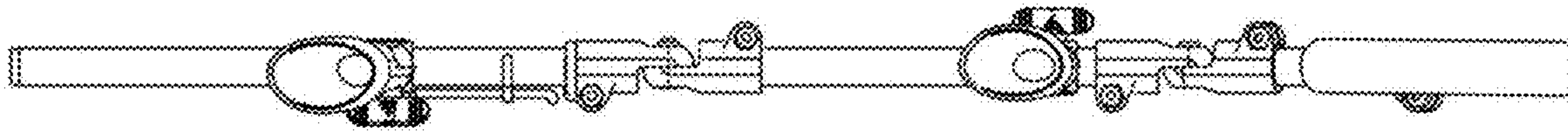
1.1



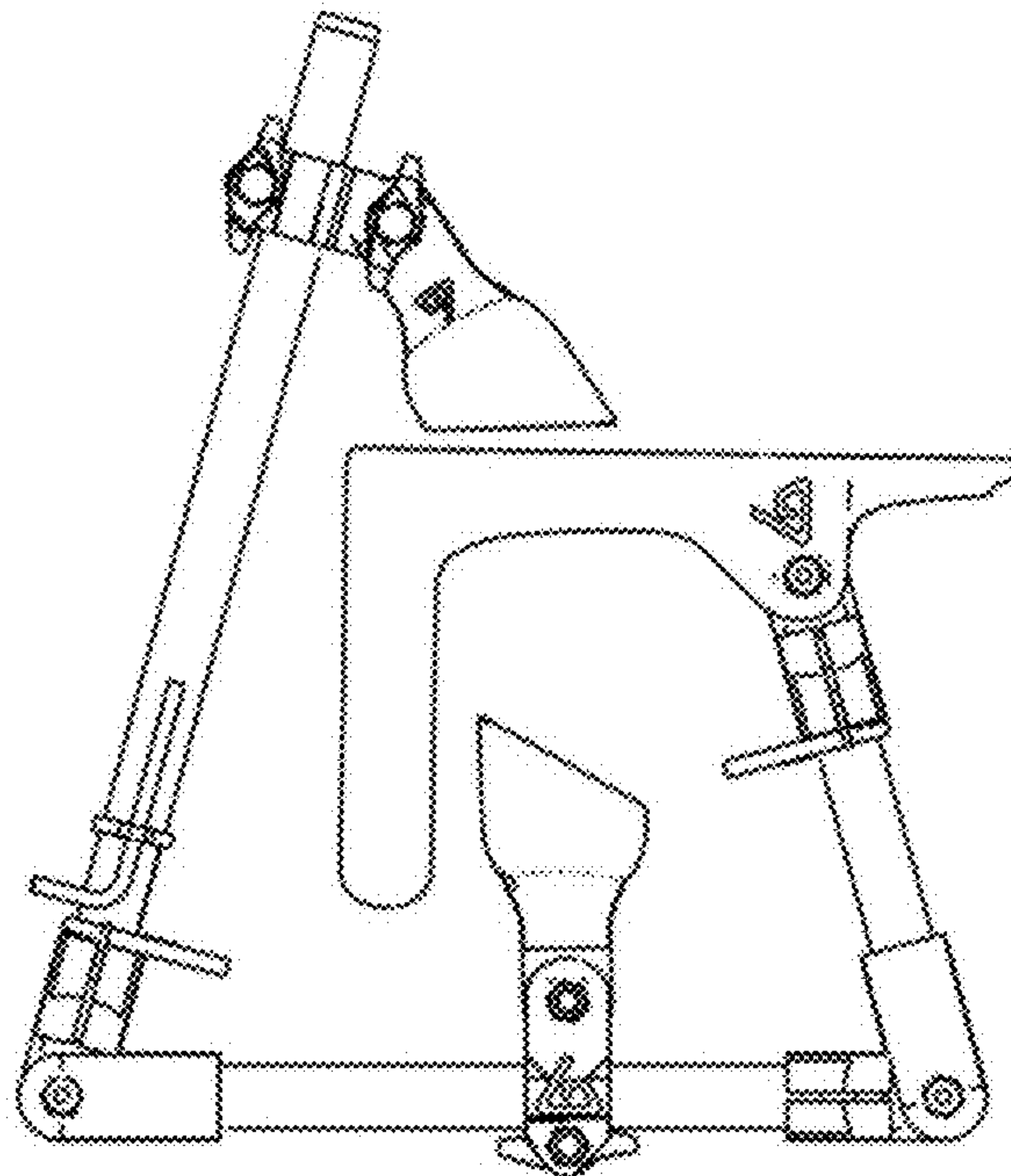
1.2



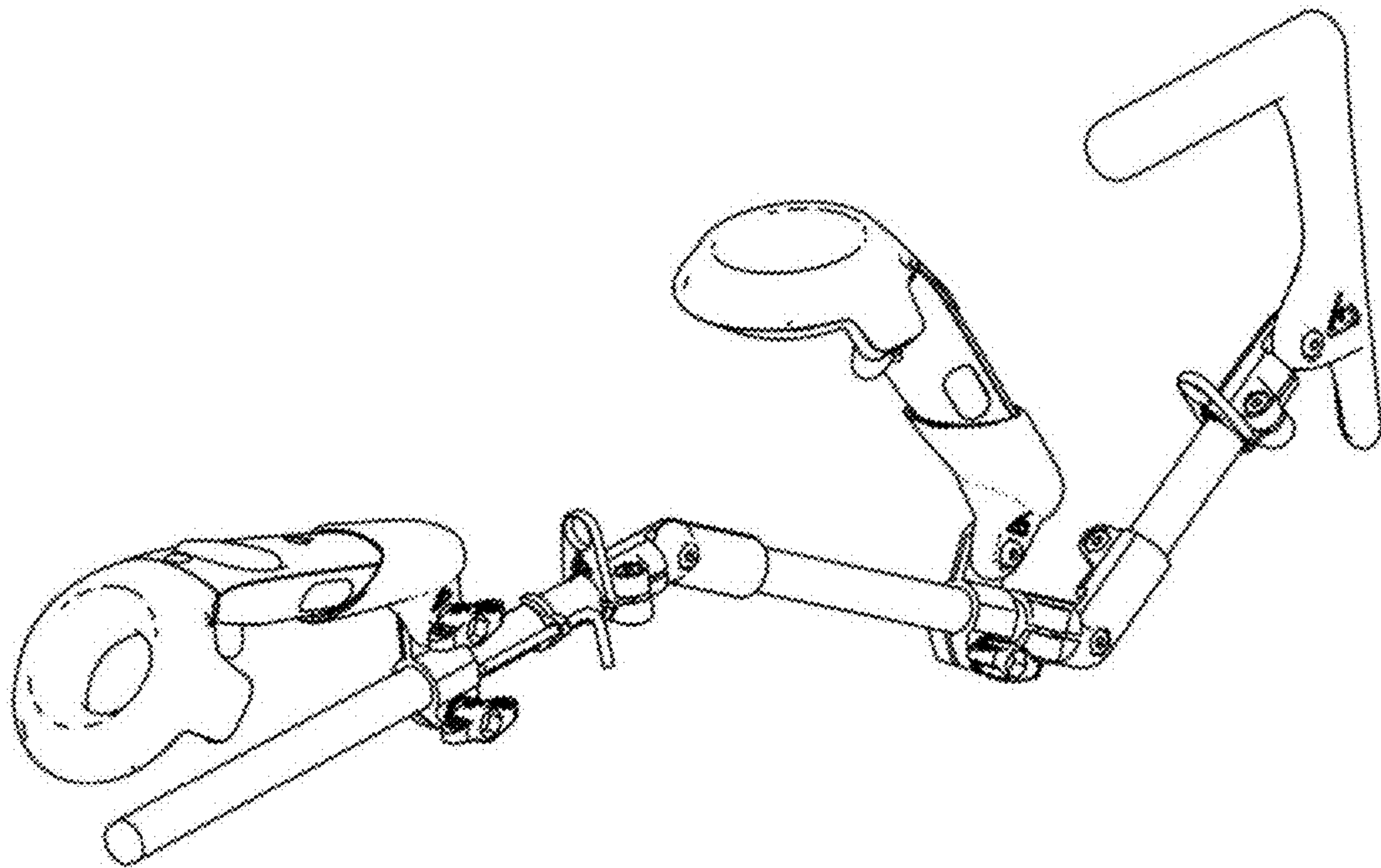
1.3



1.4

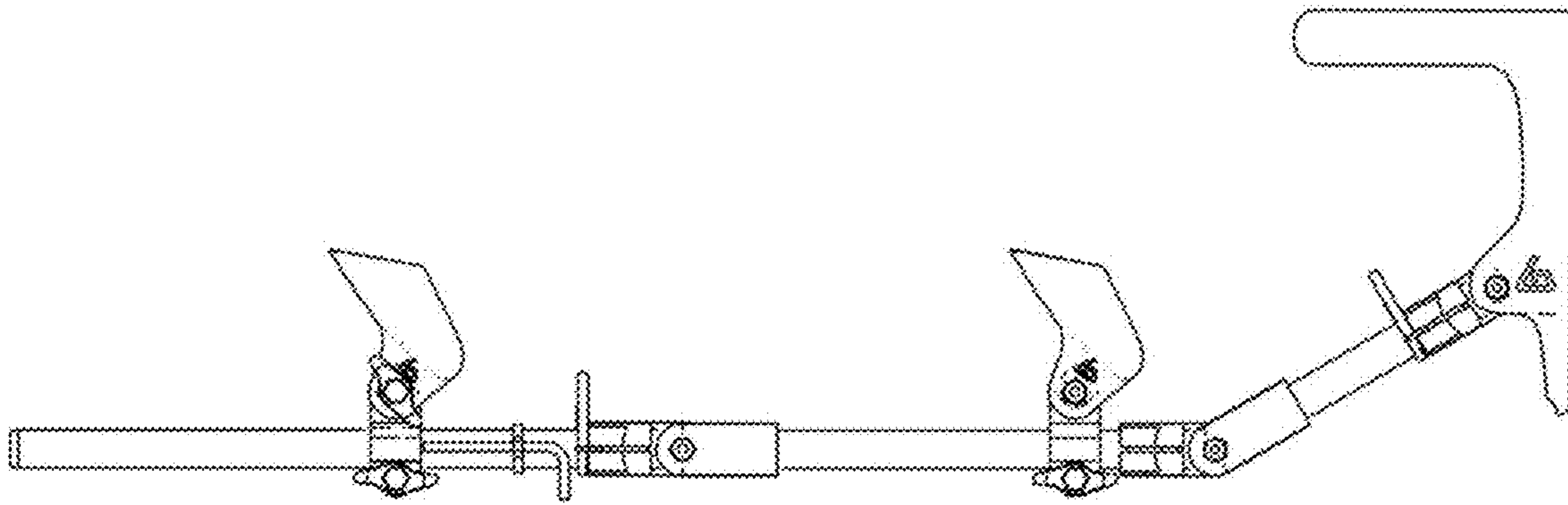


1.5





1.6



1.7





1.8

