



US00D837887S

(12) **United States Design Patent**
Ohyama

(10) **Patent No.:** **US D837,887 S**

(45) **Date of Patent:** **** *Jan. 8, 2019**

(54) **ADVERTISING DEVICE**

(71) Applicant: **National Institute of Advanced Industrial Science and Technology**, Tokyo (JP)

(72) Inventor: **Junji Ohyama**, Tsukuba (JP)

(73) Assignee: **NATIONAL INSTITUTE OF ADVANCED INDUSTRIAL SCIENCE AND TECHNOLOGY**, Tokyo (JP)

(*) Notice: This patent is subject to a terminal disclaimer.

(**) Term: **15 Years**

(21) Appl. No.: **29/589,854**

(22) Filed: **Jan. 5, 2017**

(30) **Foreign Application Priority Data**

Jul. 6, 2016 (JP) 2016-014353

(51) **LOC (11) Cl.** **20-03**

(52) **U.S. Cl.**
USPC **D20/10**

(58) **Field of Classification Search**

USPC D1/116, 127, 128, 130; D7/354, 610; D10/111, 113.1, 113.4; D20/10, 17-21, D20/39, 41, 42, 99; D25/10; D26/23, D26/31, 36, 40, 46, 85, 118-124, 128, D26/130, 136

CPC G09F 7/00; G09F 7/10; G09F 9/00; G09F 9/3023; G09F 9/33; G09F 11/00; G09F 13/00; G09F 15/00; G09F 27/00; G09F 2013/0454; G09F 13/04; G09F 13/20

See application file for complete search history.

(56) **References Cited**

U.S. PATENT DOCUMENTS

666,683	A *	1/1901	Mygatt	F21V 5/00 362/331
D37,982	S *	5/1906	Mygatt	D26/136
D39,373	S *	6/1908	Rice	D26/136
D40,181	S *	7/1909	Mygatt	D26/130
2,194,364	A *	3/1940	Minor	A47G 27/0412 15/244.4
2,218,291	A *	10/1940	Muller	F21V 7/10 362/350
2,579,467	A *	12/1951	Brickman	E01F 9/578 404/12

(Continued)

OTHER PUBLICATIONS

Let there be (dollar store) light!, posted at Atcharlotteshouse.com, posted on Mar. 6, 2014, site visited Dec. 18, 2017. online, Available from Internet: <https://atcharlotteshouse.com/let-there-be-dollar-store-light/>.*

(Continued)

Primary Examiner — Mary Ann Calabrese

Assistant Examiner — Catherine Ho

(74) *Attorney, Agent, or Firm* — Lucas & Mercanti, LLP

(57) **CLAIM**

The ornamental design for advertising device, as shown and described.

DESCRIPTION

FIG. 1 is a front view of an advertising device;
FIG. 2 is a back view thereof;
FIG. 3 is a left side view thereof;
FIG. 4 is a right side view thereof;
FIG. 5 is a plane view thereof;
FIG. 6 is a bottom view thereof;
FIG. 7 is a perspective view thereof;

(Continued)

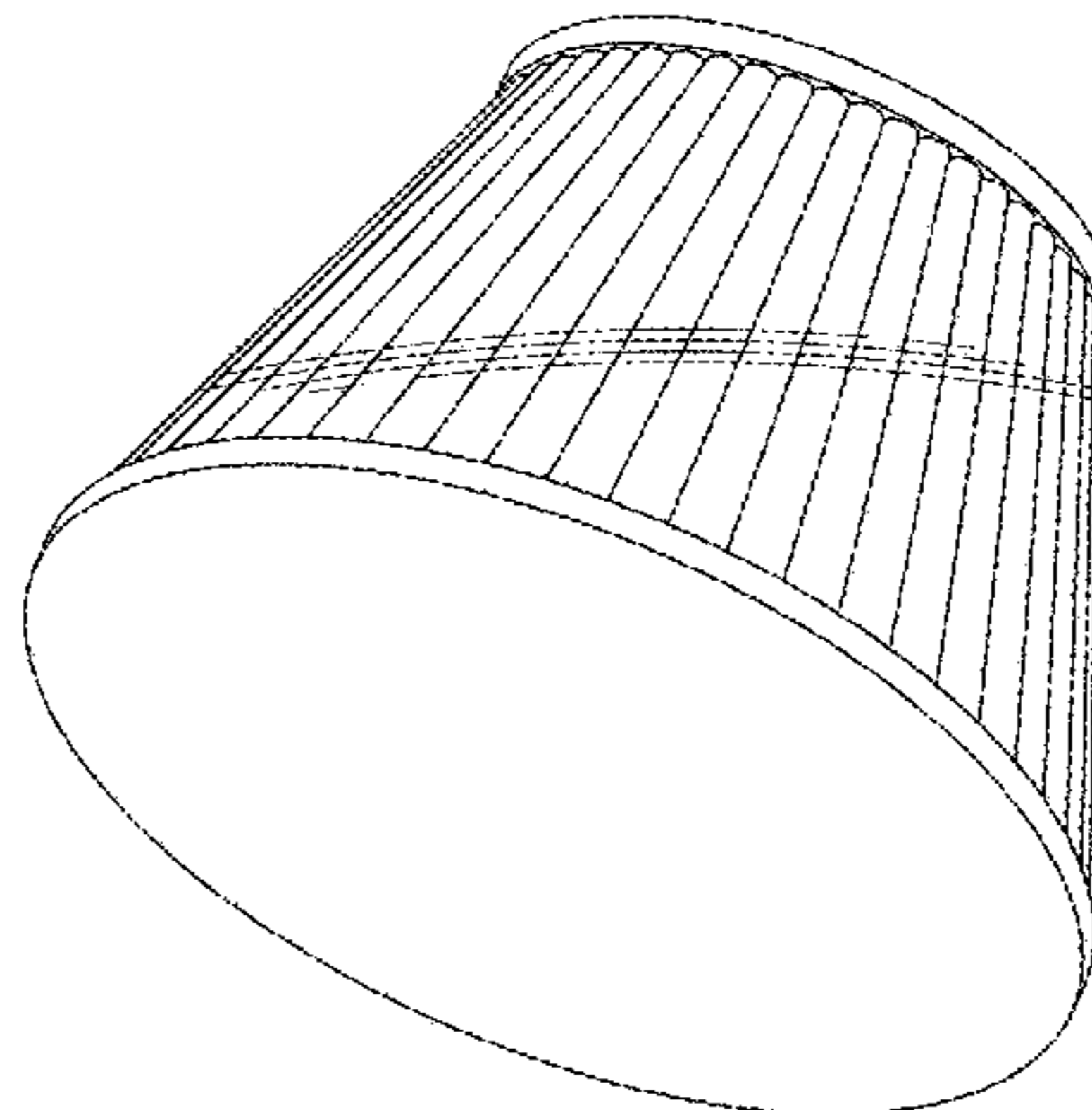
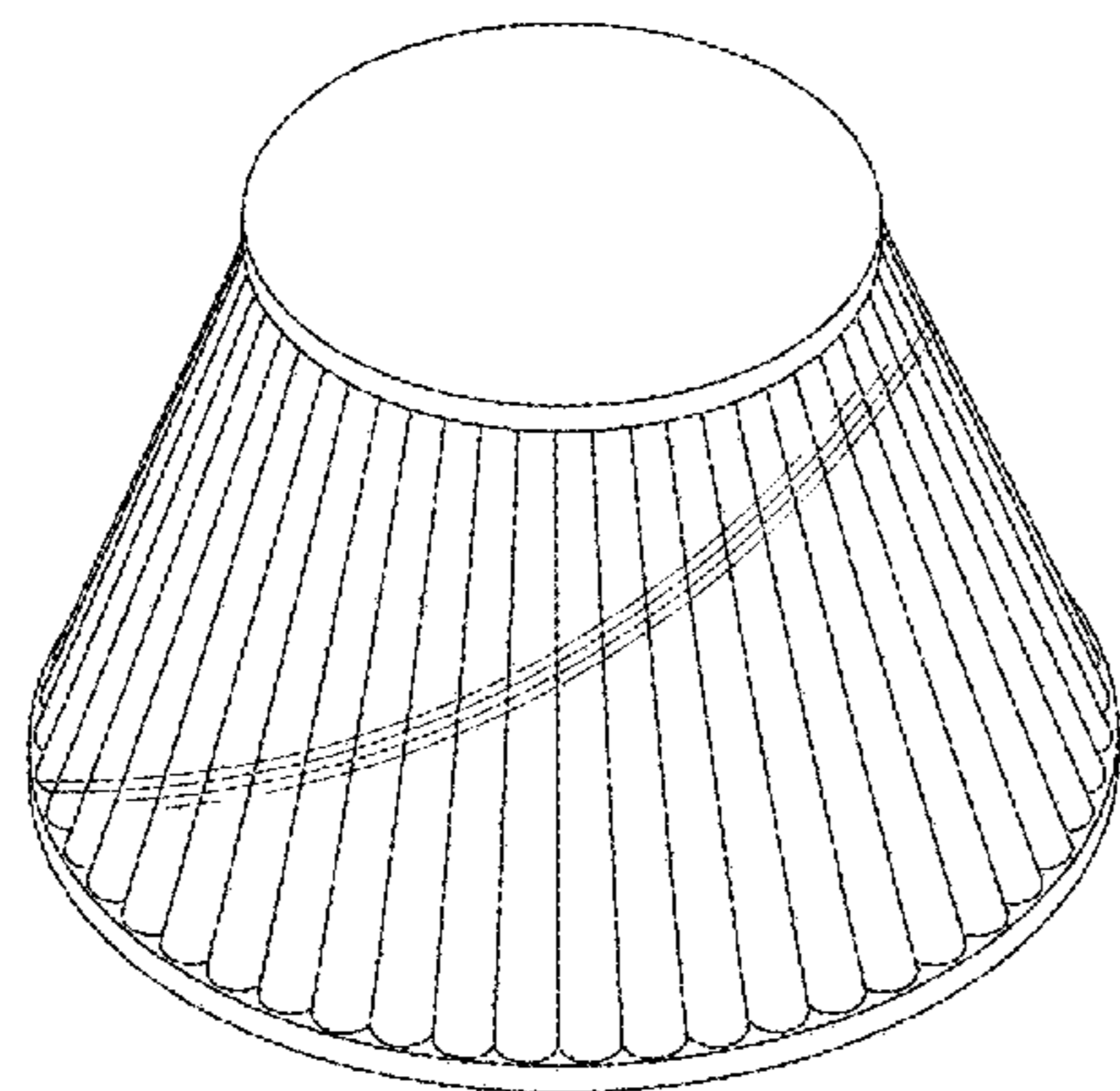


FIG. 8 is another perspective view thereof;
FIG. 9 is a top perspective view thereof; and,
FIG. 10 is a bottom perspective view thereof.
The oblique shade lines represent a transparent surface.

1 Claim, 8 Drawing Sheets

(56)

References Cited

U.S. PATENT DOCUMENTS

D366,724 S	*	1/1996	Keng	D26/134
D388,526 S	*	12/1997	Bray	D26/122
D498,016 S	*	11/2004	Herst	D26/118
D581,719 S	*	12/2008	Frank	D7/354
D636,527 S	*	4/2011	Yao	D26/134
D684,300 S	*	6/2013	Lin	D26/118

OTHER PUBLICATIONS

Wilton Red Petal Baking Cups, posted at Amazon.com, posted on Jan. 27, 2010, site visited Dec. 18, 2017. online, Available from Internet: <https://www.amazon.com/Wilton-Petal-Baking-Cups-Count/dp/B0054TVFKQ>.*

Pantry Elements Jumbo Silicone Muffin Cups, posted at Amazon.com, posted on Apr. 3, 2014, site visited Dec. 18, 2017. online, Available from Internet: <https://www.amazon.com/dp/B00E9KCKAU>.*

Wilton Baking Cups, posted at Amazon.com, posted on Feb. 7, 2015, site visited Dec. 18, 2017. online, Available from Internet: <https://www.amazon.com/Wilton-Baking-Cups-White-350-Count/product-reviews/B0026HTOBA>.*

* cited by examiner

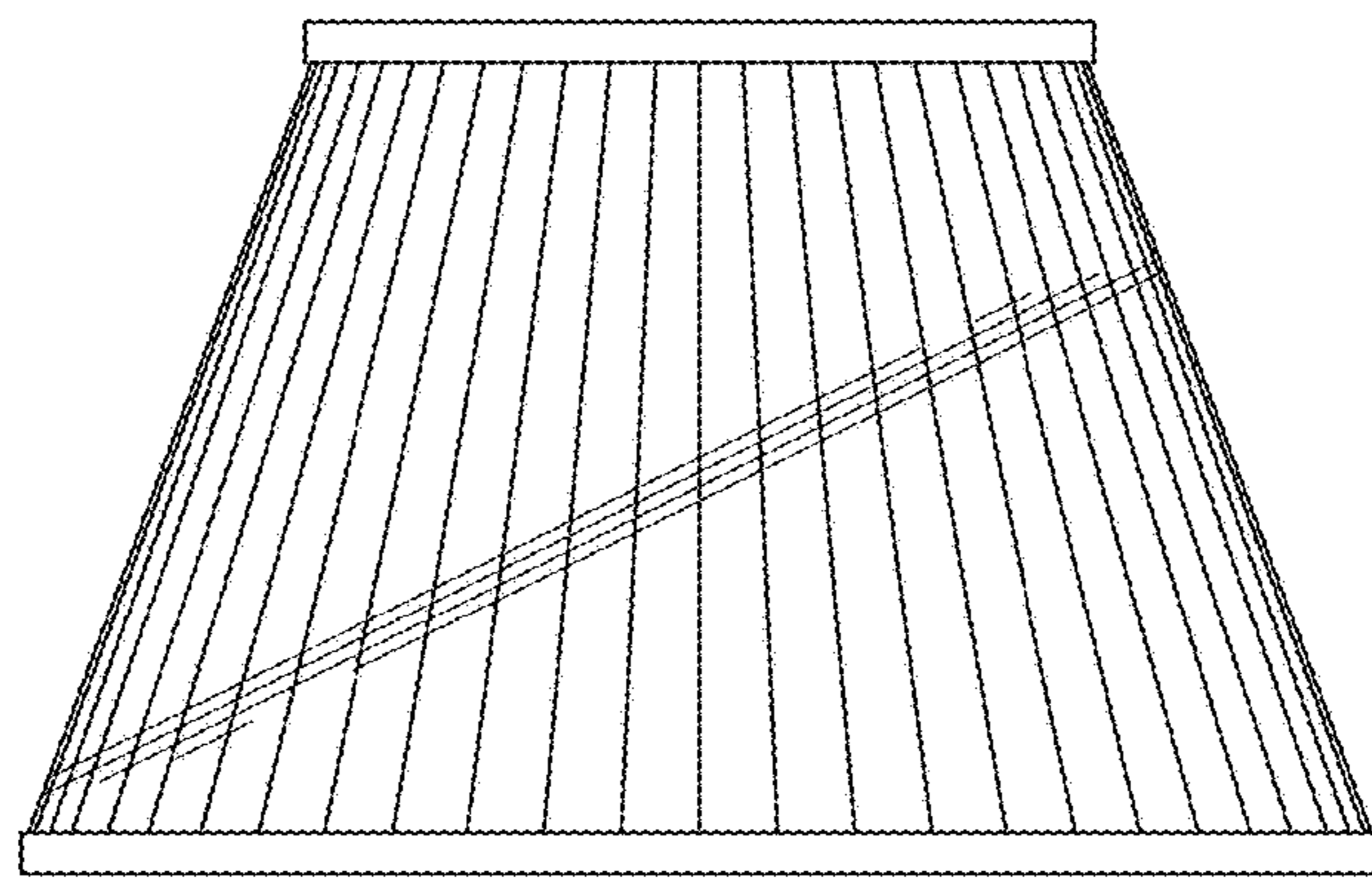


FIG. 1

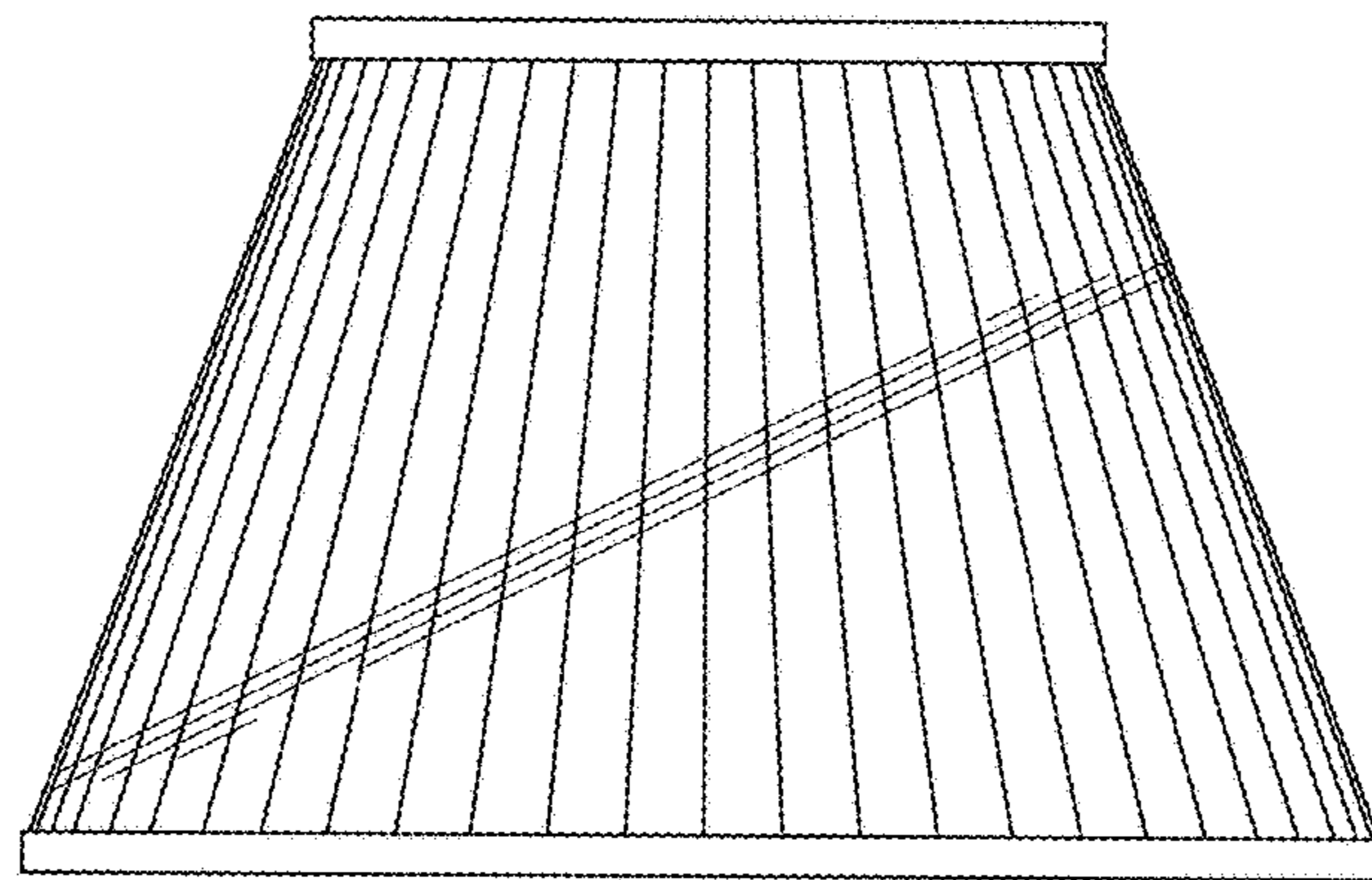


FIG. 2

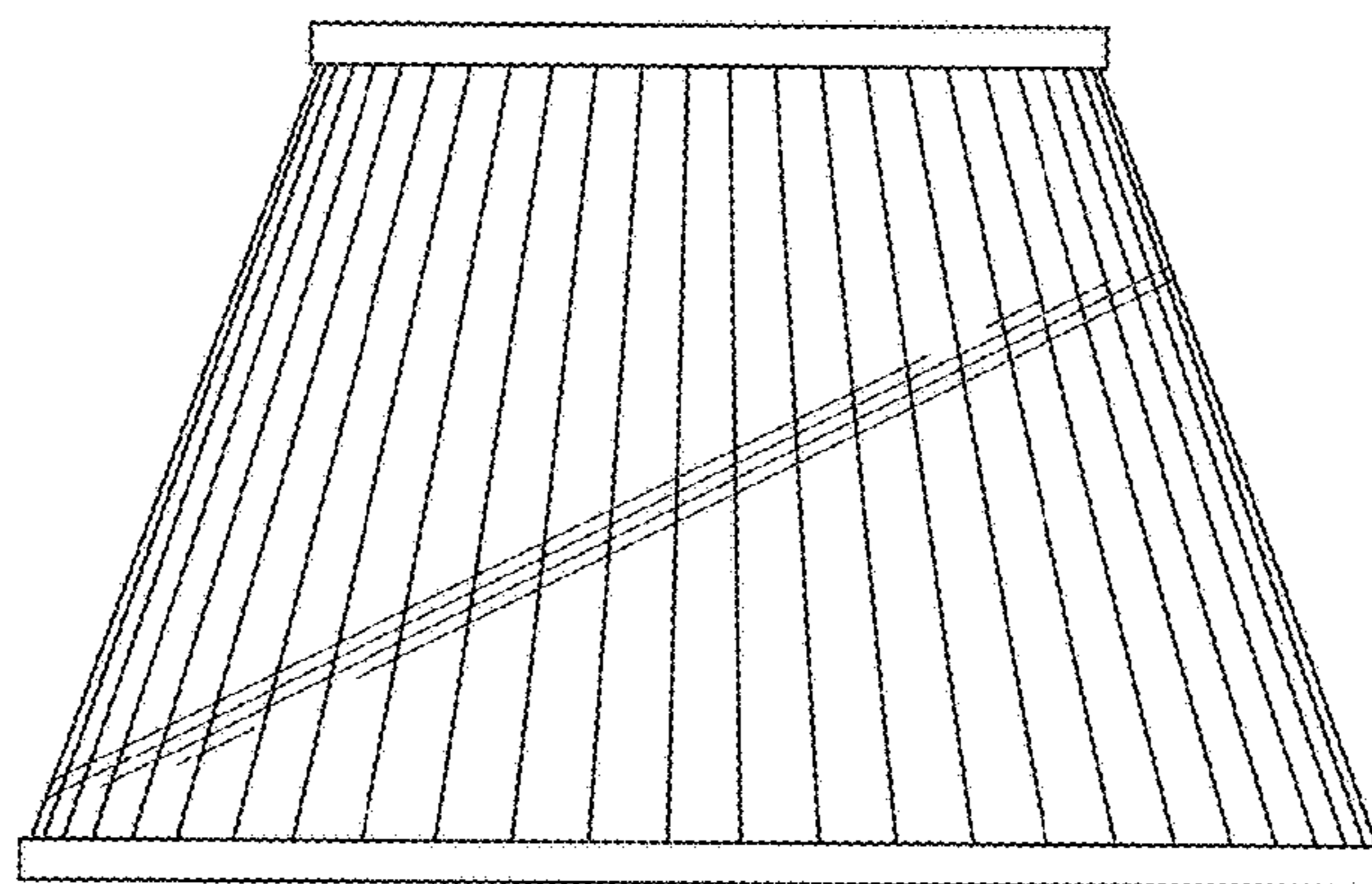


FIG. 3

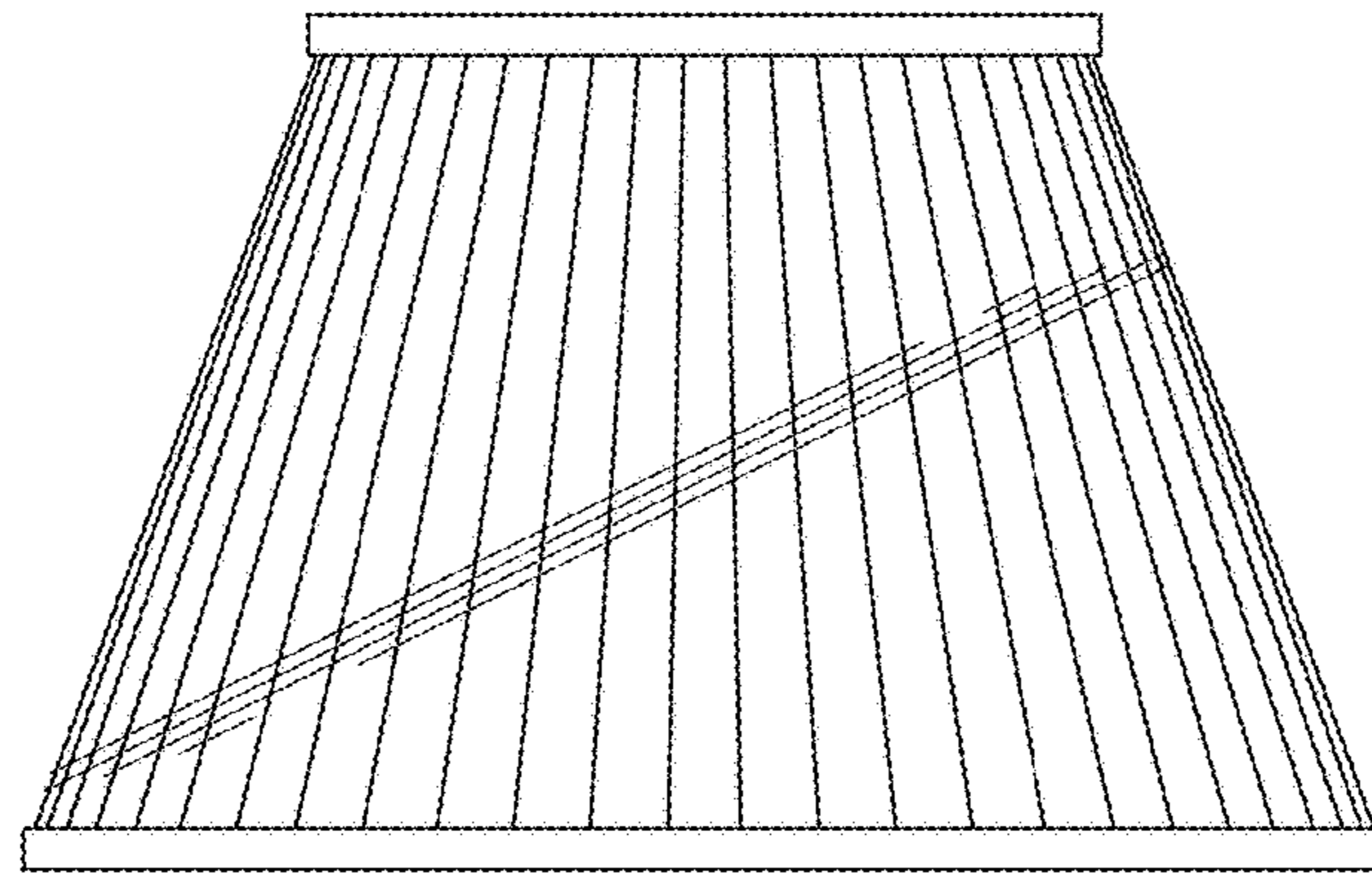


FIG. 4

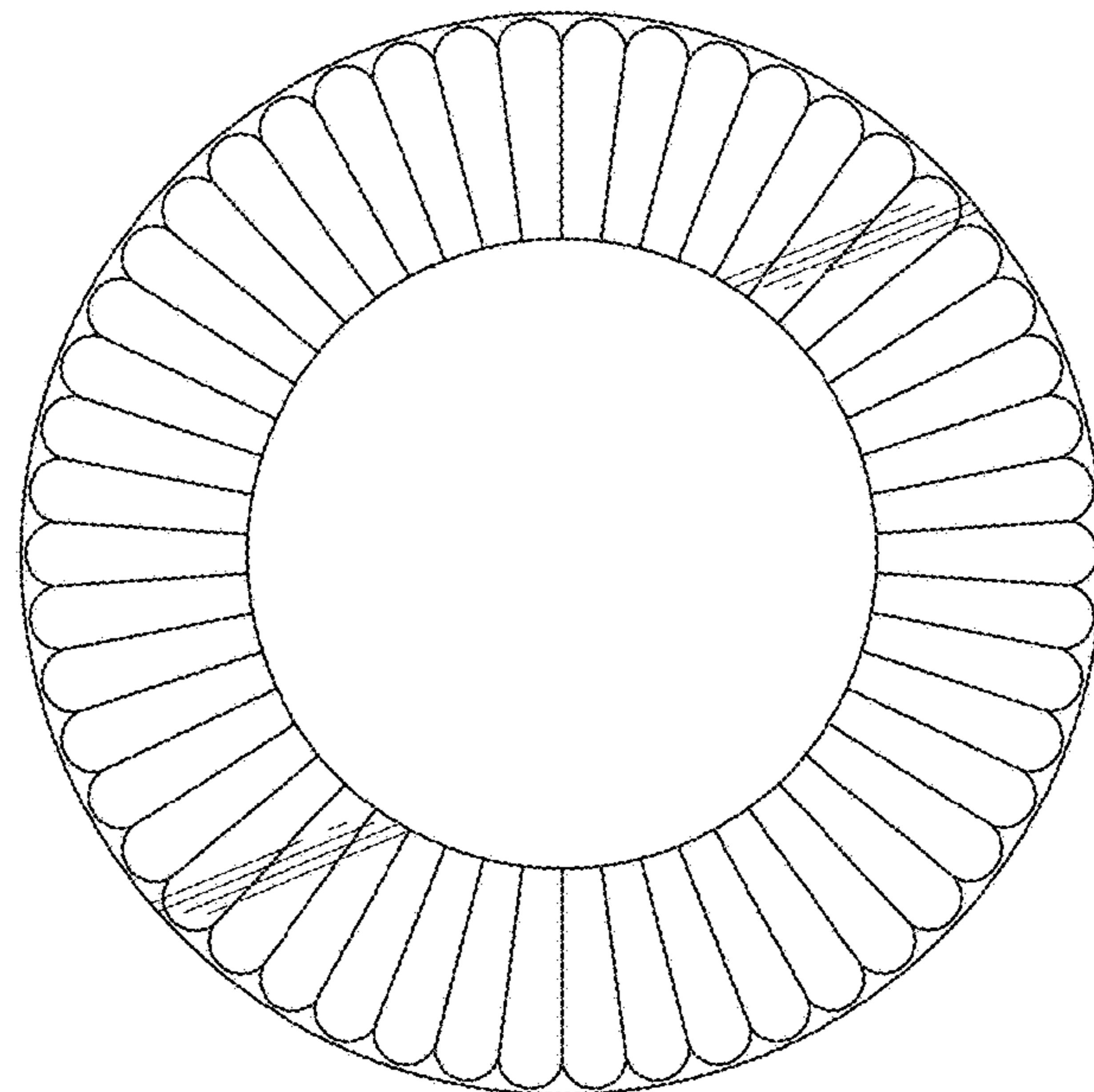


FIG. 5

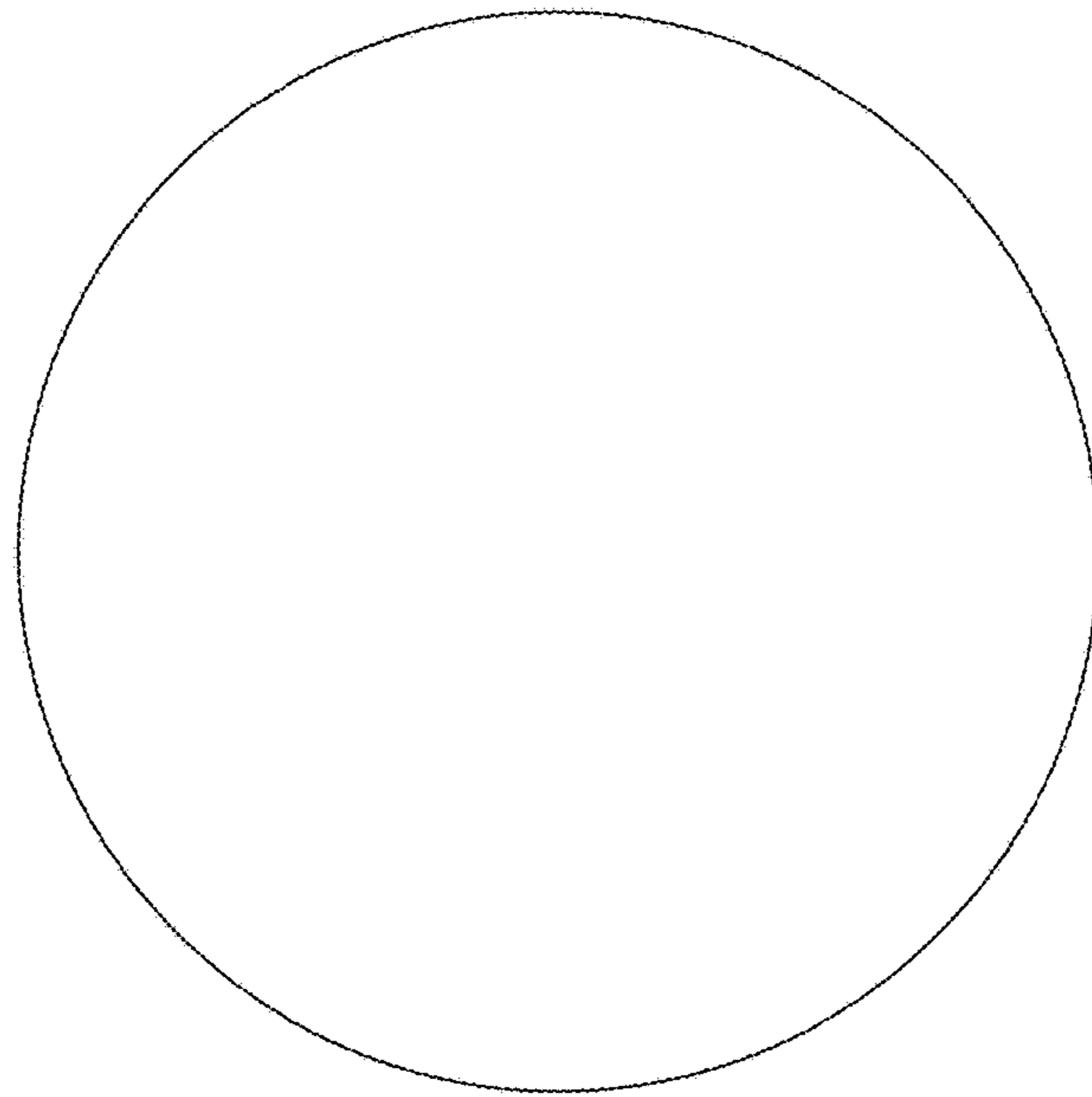


FIG. 6

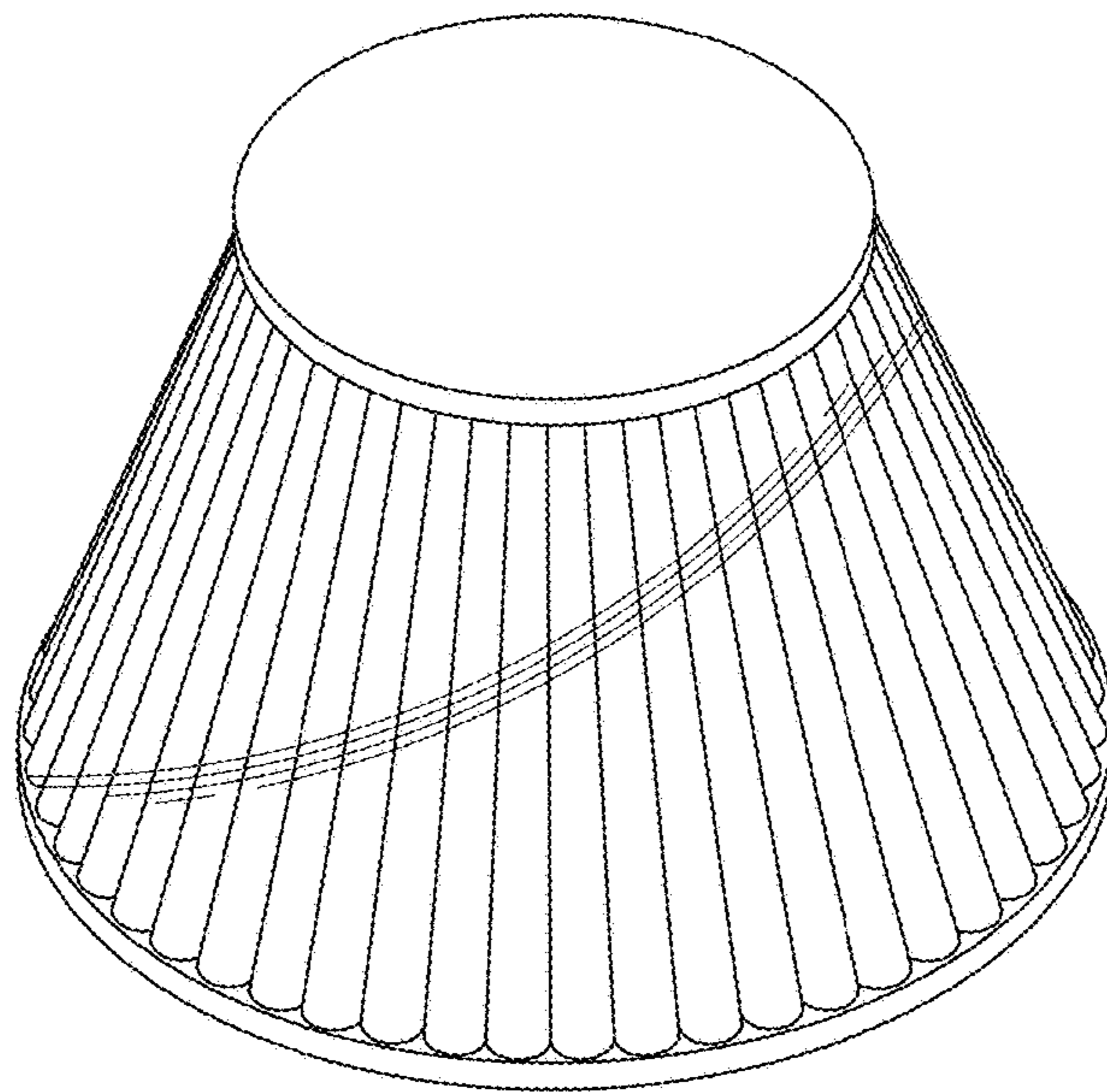


FIG. 7

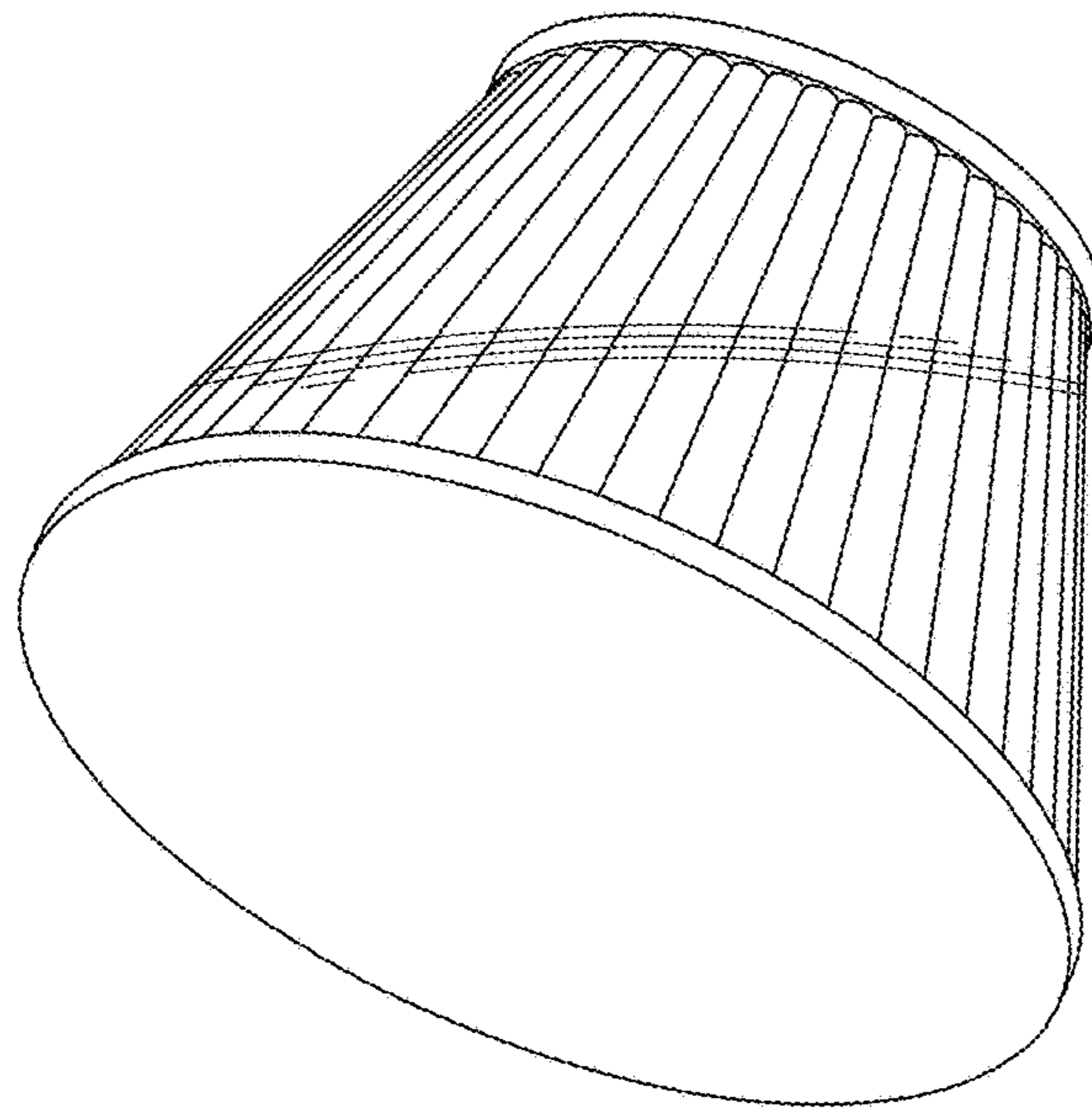


FIG. 8

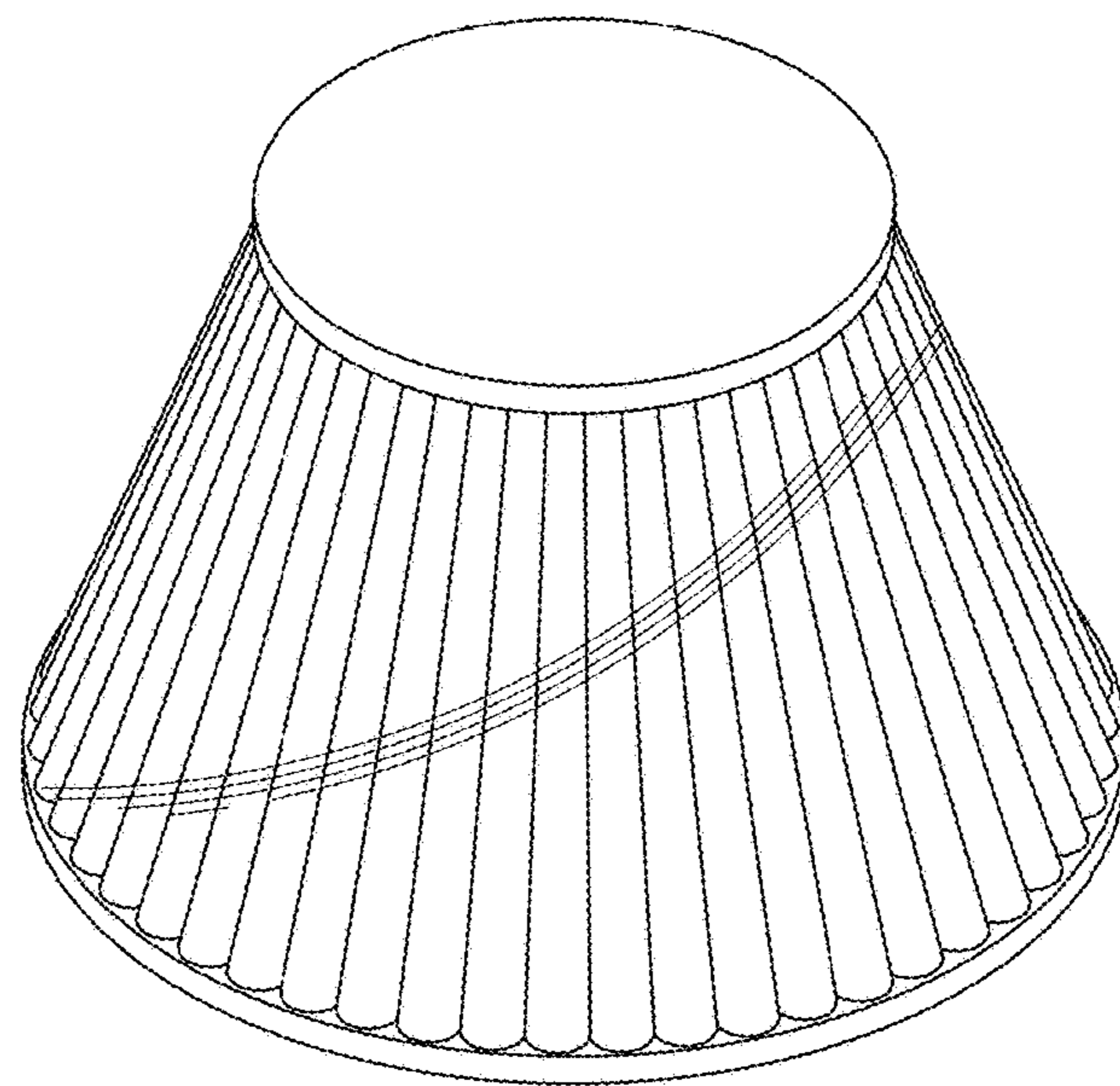


FIG. 9

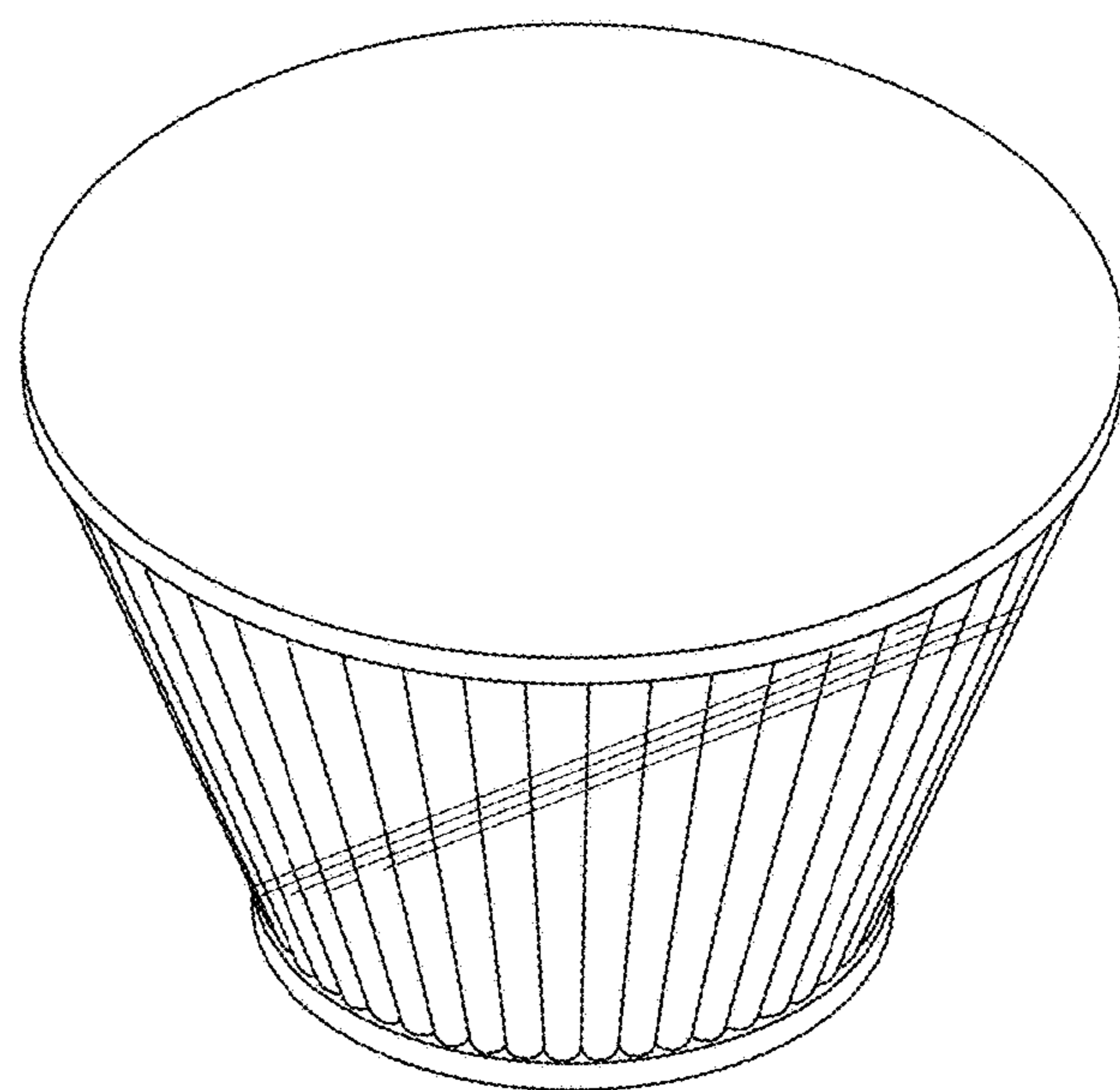


FIG. 10