



US00D837886S

(12) **United States Design Patent**  
**Boisdevesys et al.**

(10) **Patent No.:** **US D837,886 S**  
(45) **Date of Patent:** **\*\* Jan. 8, 2019**

(54) **SET OF WRITING INSTRUMENTS**

(71) Applicant: **Societe BIC**, Clichy (FR)

(72) Inventors: **David Boisdevesys**, Vitry Sure Seine (FR); **Franck Vadenne**, Bezons (FR); **Ludovic Fagu**, Noisy-le-Sec (FR)

(73) Assignee: **Societe BIC**, Clichy (FR)

(\*\*) Term: **15 Years**

(21) Appl. No.: **29/580,936**

(22) Filed: **Oct. 14, 2016**

(30) **Foreign Application Priority Data**

Apr. 15, 2016 (EM) ..... 001449706

(51) **LOC (11) Cl.** ..... **19-06**

(52) **U.S. Cl.**  
USPC ..... **D19/201**

(58) **Field of Classification Search**  
USPC ..... D14/411; D19/115-204, 85; D28/7, 76, D28/88; D3/206  
CPC ... B43K 7/12; B43K 8/04; B43K 8/06; B43K 19/00; B43K 19/02; B43K 19/14; B43K 21/006; B43K 21/06; B43K 23/06; B43K 24/08  
See application file for complete search history.

(56) **References Cited**

**U.S. PATENT DOCUMENTS**

648,928 A \* 5/1900 Davis ..... A61L 2/00 206/207  
1,101,312 A \* 6/1914 Mendelson et al. .... A24F 15/12 206/251  
2,260,086 A \* 10/1941 Matter ..... B25H 3/003 206/379  
2,285,214 A \* 6/1942 Lisle ..... G09F 5/00 206/383

2,354,118 A \* 7/1944 Hansen ..... B43K 23/04 211/69.5  
2,778,336 A \* 1/1957 Liguori ..... B43K 7/00 206/224  
2,959,296 A \* 11/1960 Case ..... B43K 23/001 211/69.1  
3,085,280 A \* 4/1963 Cline ..... B43K 8/003 15/104.94  
3,088,439 A \* 5/1963 Van Dersal ..... B43K 21/02 279/71  
3,750,292 A \* 8/1973 Dodge ..... B43L 13/12 33/41.4  
D258,911 S \* 4/1981 Sandel ..... D10/62  
4,415,092 A \* 11/1983 Boyer ..... B43K 23/001 211/59.2

(Continued)

*Primary Examiner* — Elizabeth A. Albert  
(74) *Attorney, Agent, or Firm* — Ohlandt, Greeley, Ruggiero & Perle, L.L.P.

(57) **CLAIM**

The ornamental design for a set of writing instruments, as shown and described.

**DESCRIPTION**

FIG. 1 is a front perspective view of an ornamental design for a set of writing instruments according to the present invention;

FIG. 2 is a left side elevational view thereof;

FIG. 3 is a right side elevational view thereof;

FIG. 4 is a front side elevational view thereof;

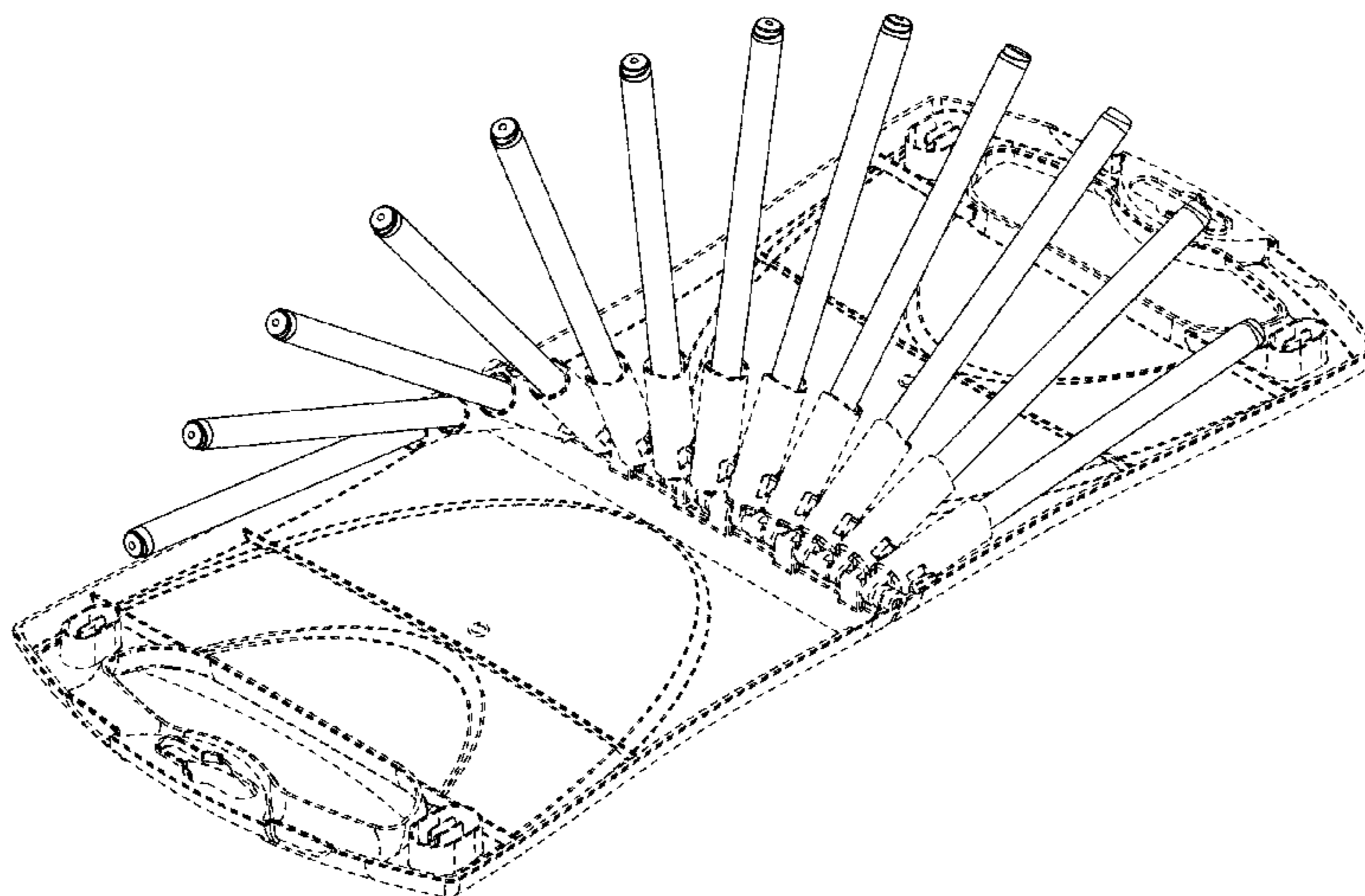
FIG. 5 is a rear side elevational view thereof;

FIG. 6 is a top plan view thereof; and,

FIG. 7 is a bottom plan view.

The broken line showing of FIGS. 1-7 is for the purpose of illustrating environmental subject matter and forms no part of the claimed design. The claim is directed to the collective appearance of the set of writing instruments shown in solid lines.

**1 Claim, 7 Drawing Sheets**



(56)

**References Cited**

U.S. PATENT DOCUMENTS

5,116,153 A \* 5/1992 Tully ..... B43L 13/12  
 33/41.4  
 D345,581 S \* 3/1994 Popovits ..... 401/88  
 D363,307 S \* 10/1995 Shikuwa ..... D19/186  
 D368,553 S \* 4/1996 Welschoff ..... D19/163  
 D546,387 S \* 7/2007 Qiu ..... D19/166  
 7,819,600 B2 \* 10/2010 LaBrasca ..... A45C 11/34  
 206/1.7  
 D648,386 S \* 11/2011 Zhang ..... D19/166  
 D662,981 S \* 7/2012 Xie ..... D19/166  
 D667,875 S \* 9/2012 Liang ..... D19/166  
 D686,662 S \* 7/2013 Kermoal ..... D19/186  
 D694,823 S \* 12/2013 Dalancourt ..... D19/190  
 D696,346 S \* 12/2013 Lv ..... D19/165  
 D701,572 S \* 3/2014 Jiang ..... D19/166  
 8,876,112 B2 \* 11/2014 Skinner ..... A63F 3/00  
 273/239  
 9,370,960 B2 \* 6/2016 Peyton ..... B43K 7/005  
 2015/0239278 A1 \* 8/2015 White ..... B43K 23/001  
 211/69.5  
 2017/0043611 A1 \* 2/2017 Van Der Zande ..... A45C 11/34

\* cited by examiner

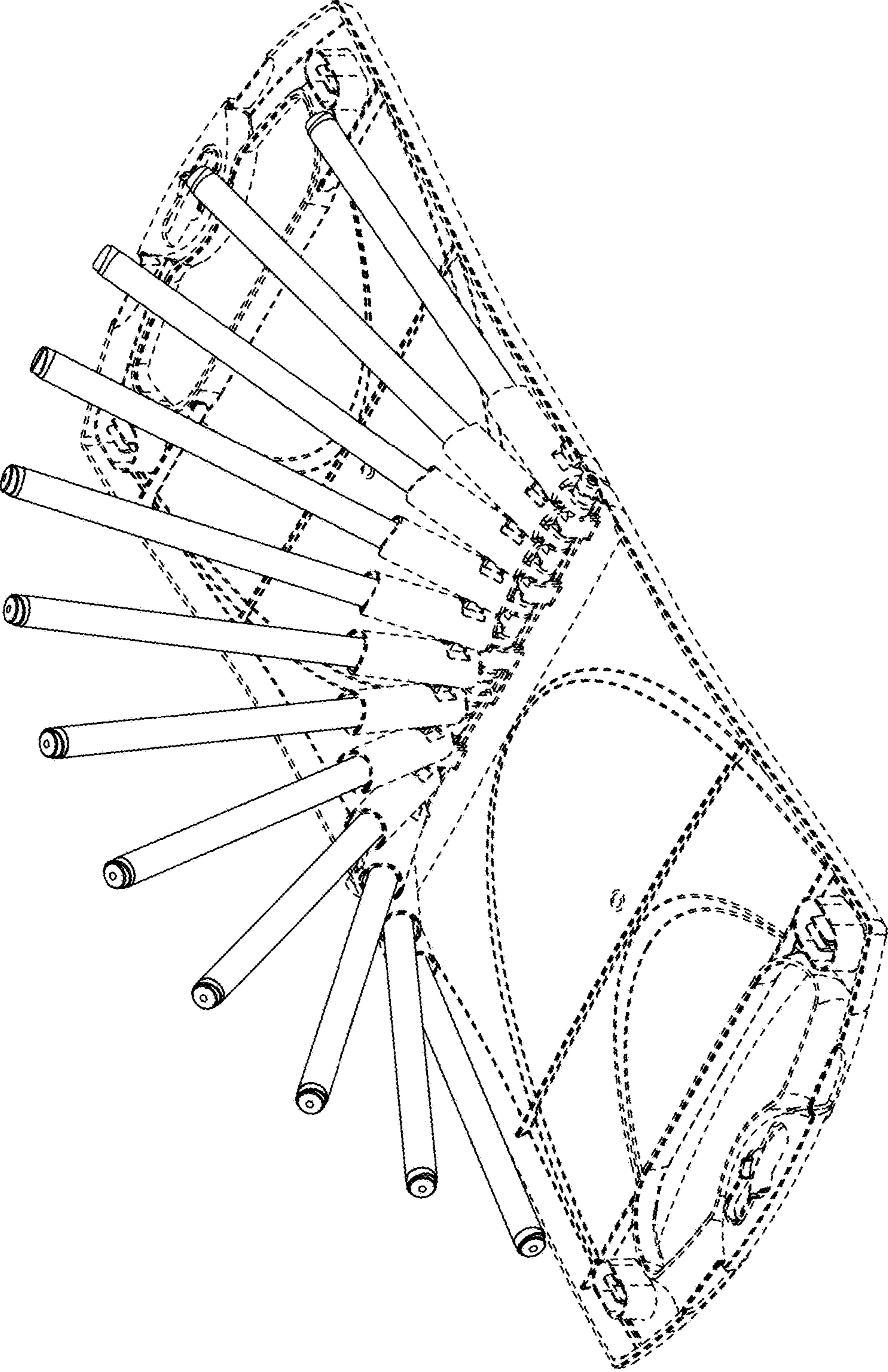


FIG. 1

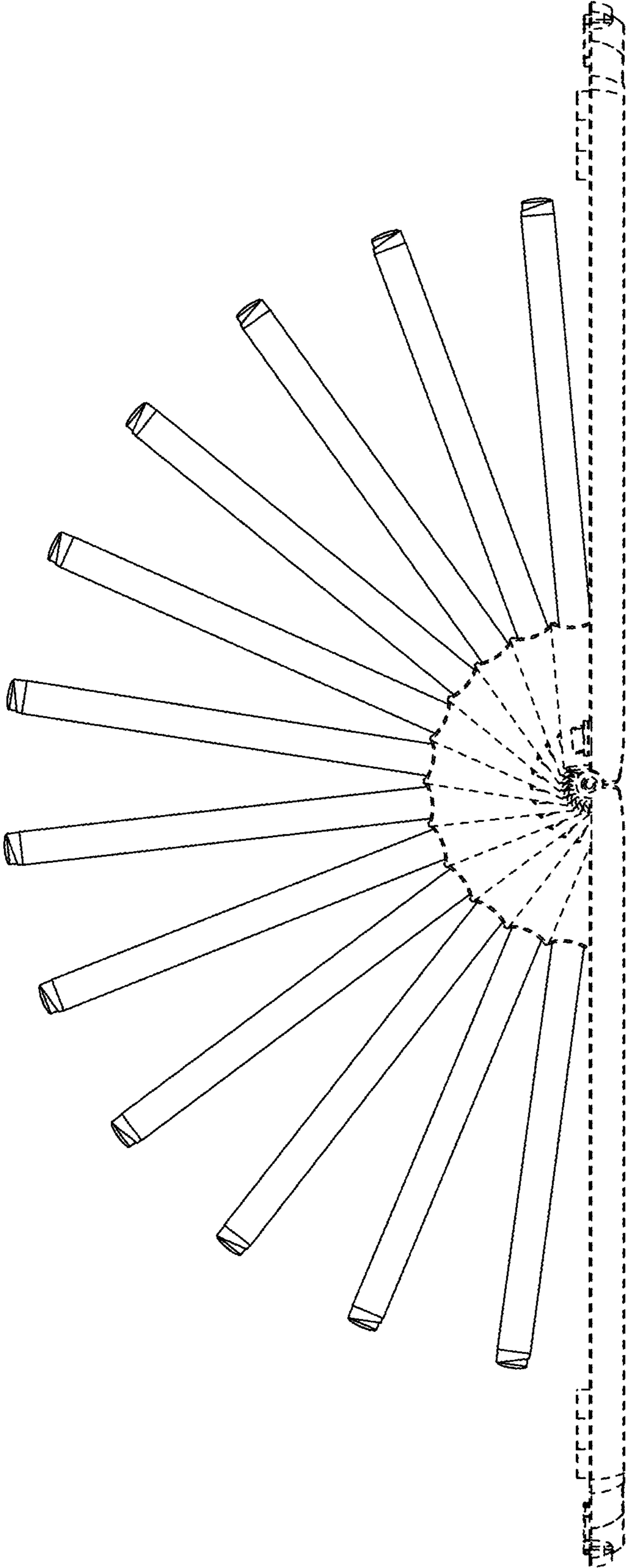


FIG. 2

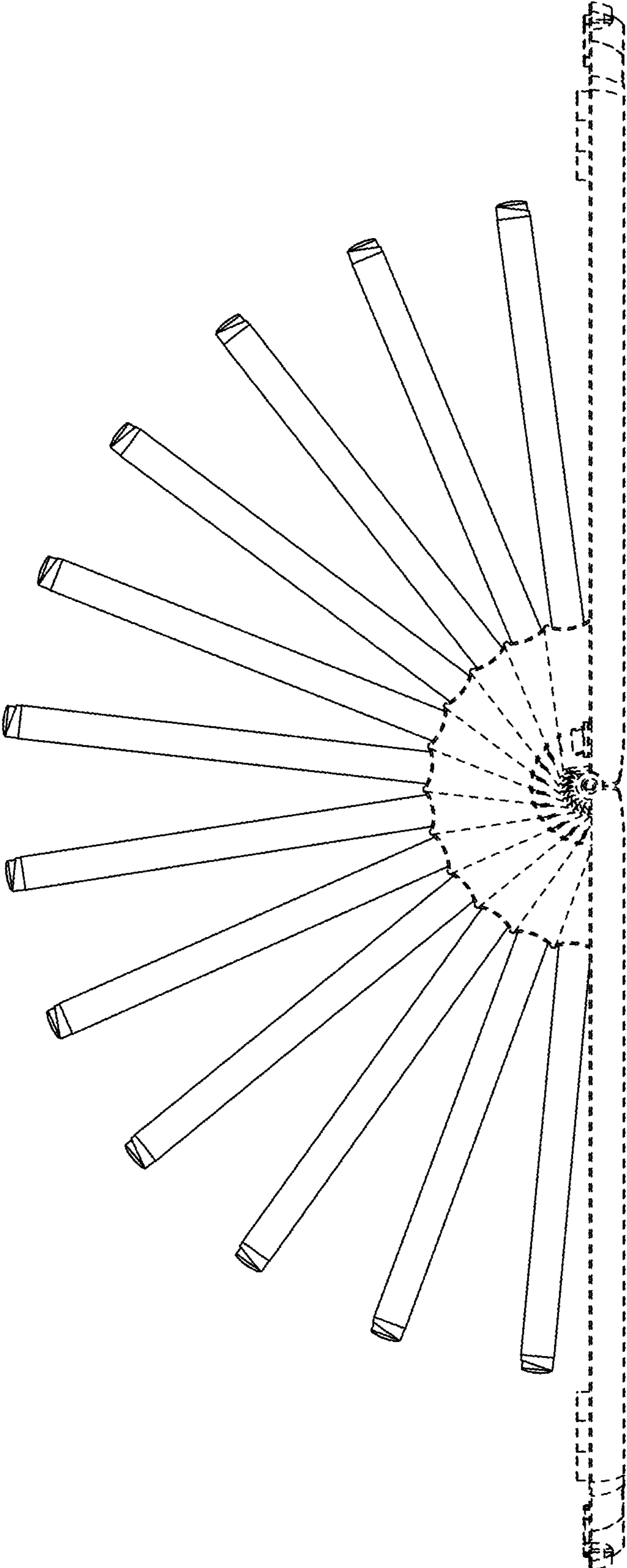


FIG. 3

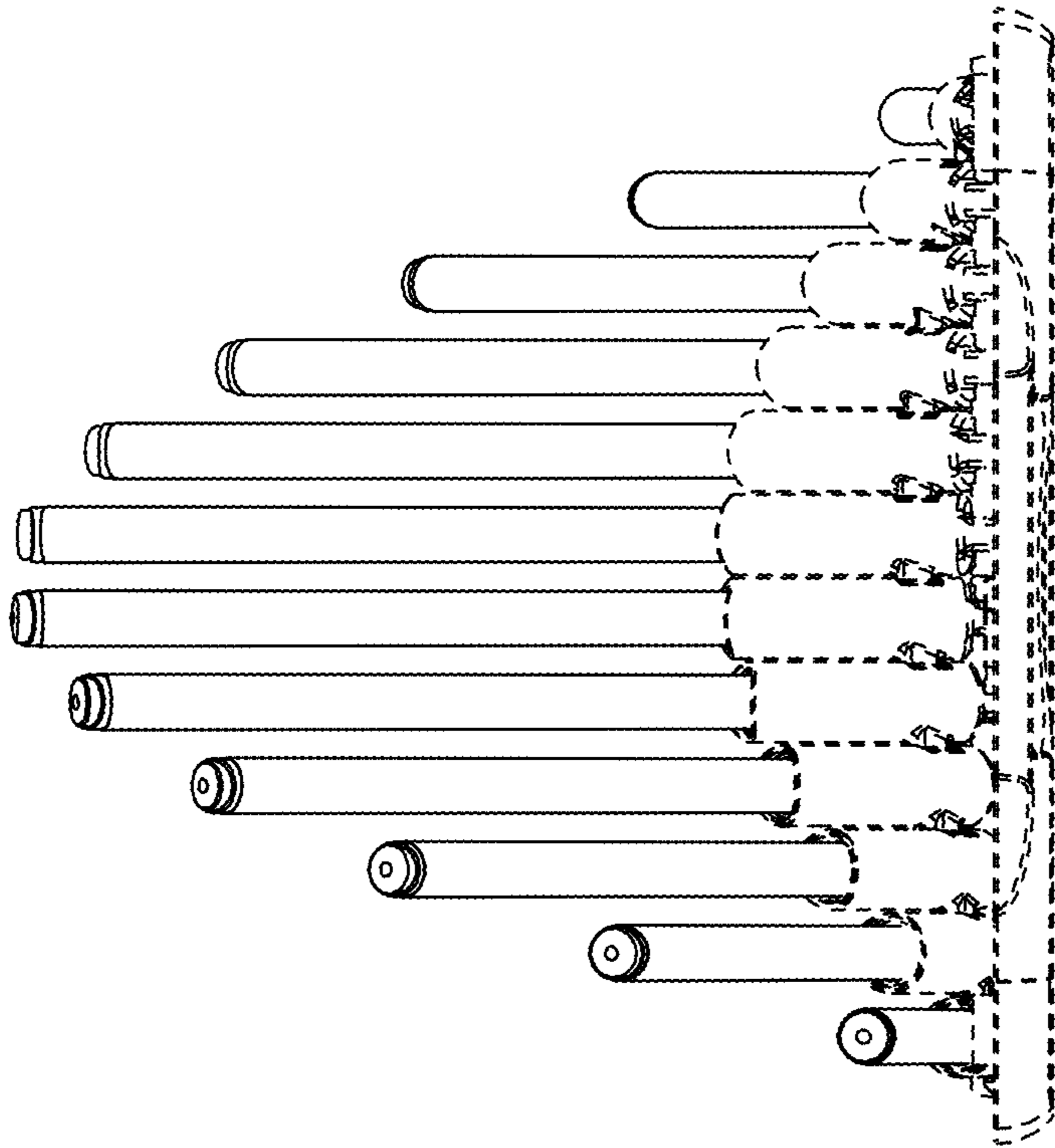


FIG. 4

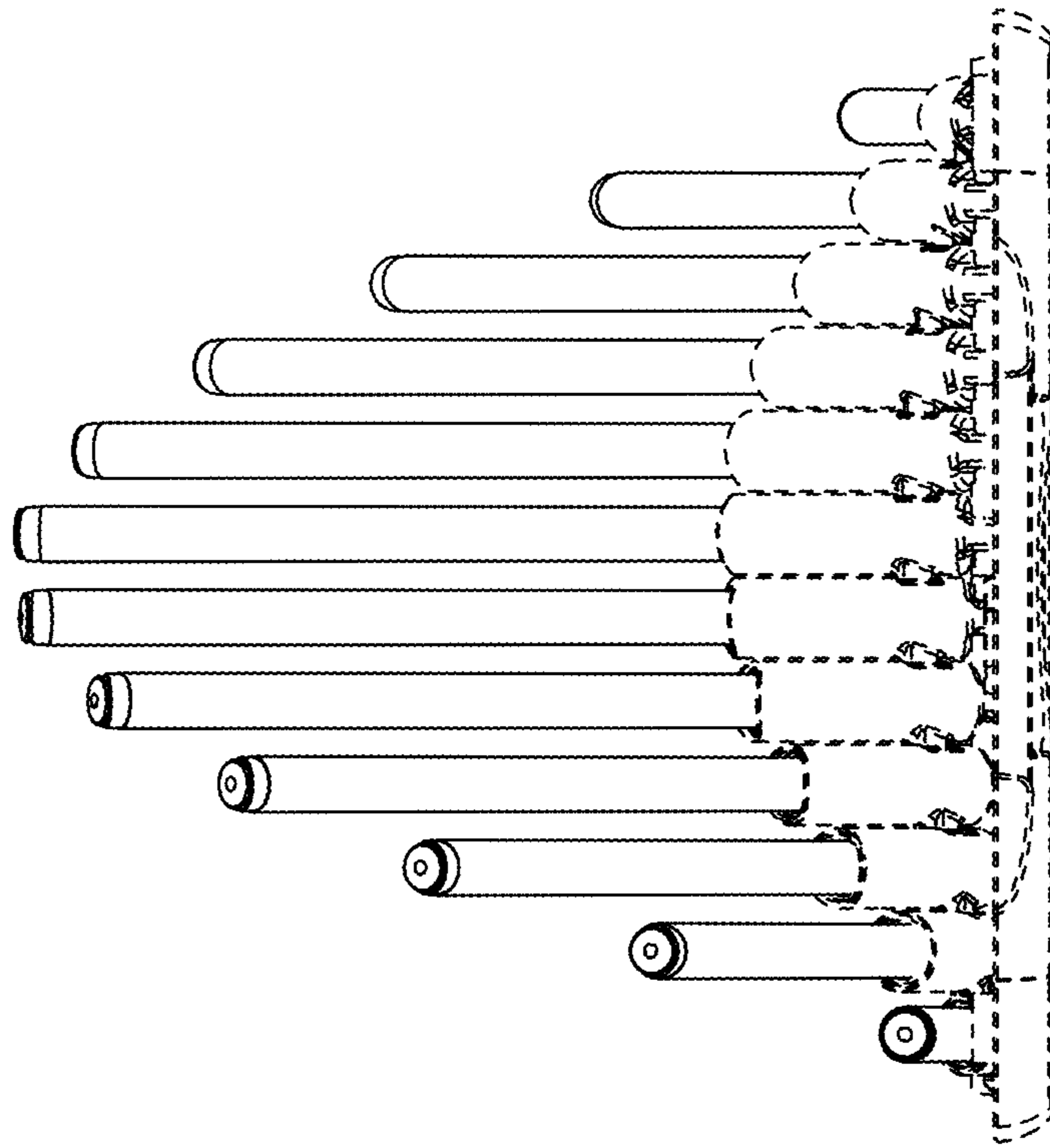


FIG. 5

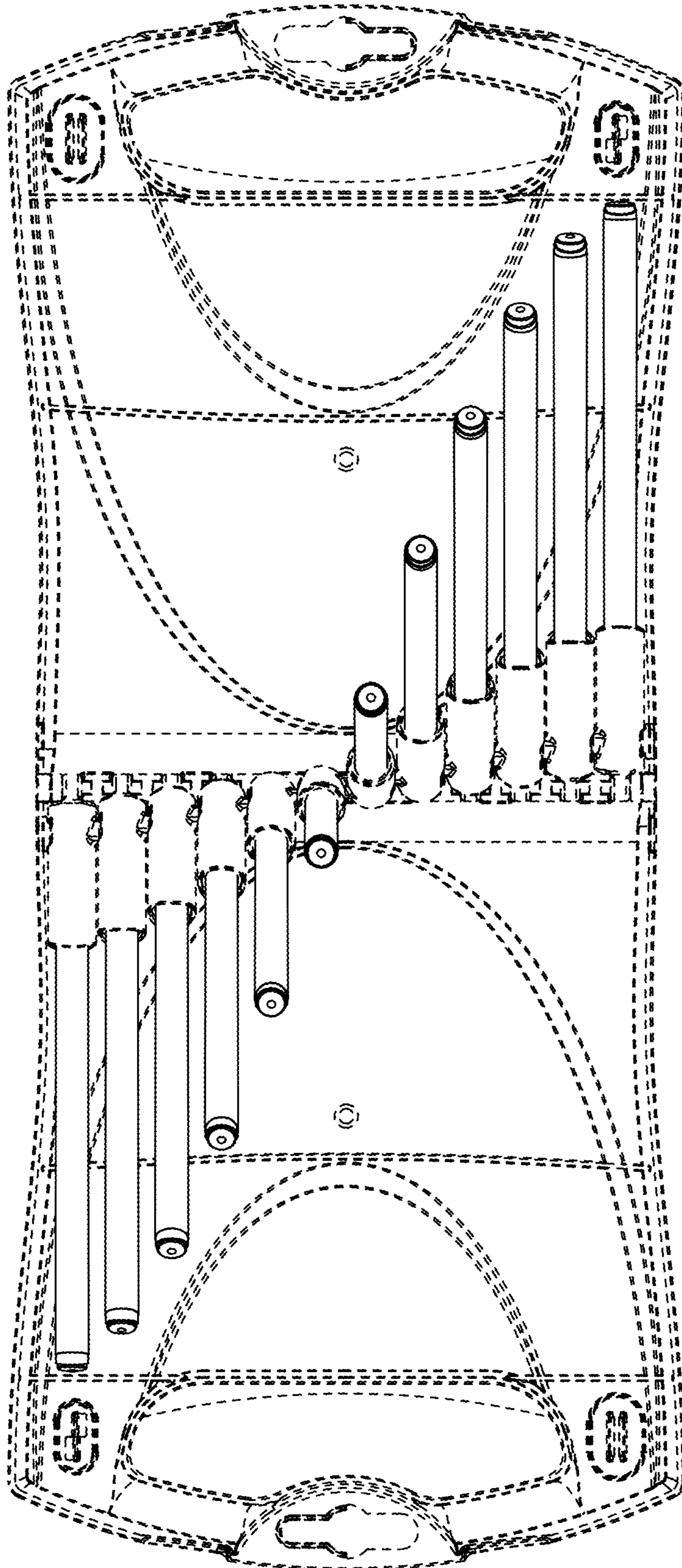


FIG. 6



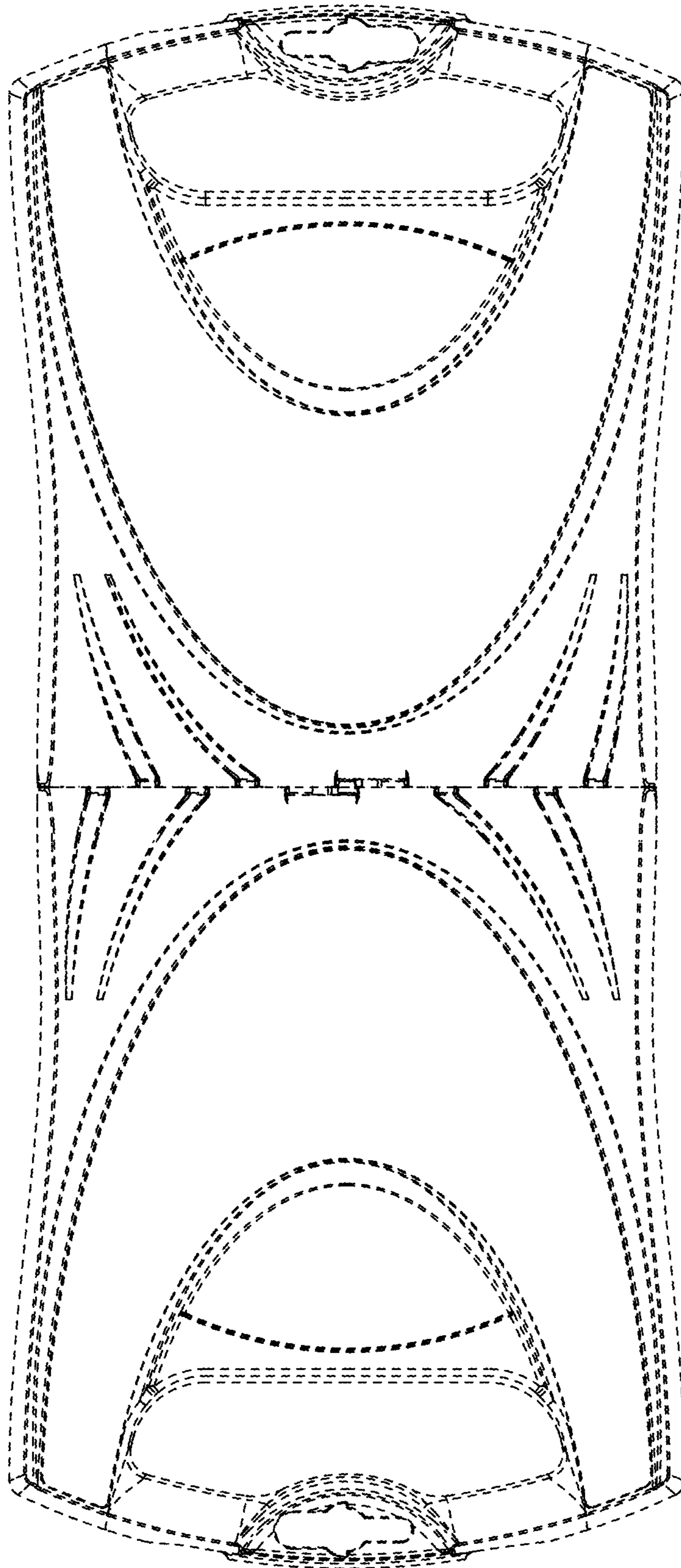


FIG. 7