



US00D837885S

(12) **United States Design Patent**
Jacobson et al.

(10) **Patent No.:** **US D837,885 S**

(45) **Date of Patent:** **** *Jan. 8, 2019**

(54) **CAP FOR A WRITING INSTRUMENT**

(71) Applicant: **Sanford, L.P.**, Downers Grove, IL (US)

(72) Inventors: **Eric Allan Jacobson**, Chicago, IL (US); **Da Deng**, Newton (CN)

(73) Assignee: **Sanford, LP**, Atlanta, GA (US)

(*) Notice: This patent is subject to a terminal disclaimer.

(**) Term: **15 Years**

(21) Appl. No.: **29/559,933**

(22) Filed: **Apr. 1, 2016**

(51) **LOC (11) Cl.** **19-06**

(52) **U.S. Cl.**
USPC **D19/194**; D19/918

(58) **Field of Classification Search**
USPC D9/436, 446, 723; D14/411;
D19/115-204, 81-85, 66, 70, 71
CPC ... B43K 5/00; B43K 7/00; B43K 7/12; B43K
8/04; B43K 8/06; B43K 19/00; B43K
19/02; B43K 19/14; B43K 24/08
See application file for complete search history.

(56) **References Cited**

U.S. PATENT DOCUMENTS

- D201,412 S * 6/1965 Groft D19/163
- 3,776,673 A * 12/1973 DeGroft B29C 31/002
- 29/517
- D330,388 S * 10/1992 Choi 401/195
- 5,957,603 A * 9/1999 Bell B43L 21/04
- 15/424
- 6,048,121 A * 4/2000 Carver B43K 23/12
- 401/195
- 6,247,865 B1 * 6/2001 Russell B43K 23/122
- 401/202
- D470,885 S * 2/2003 Tahara D19/117

- D470,887 S * 2/2003 Okutani D19/163
- D475,085 S * 5/2003 Whitehorn D19/118
- 6,572,297 B2 * 6/2003 Korper B43K 17/00
- 401/183
- D477,362 S * 7/2003 Belton D19/163
- D493,832 S * 8/2004 Hung D19/163
- D496,070 S * 9/2004 Furlong D19/195
- D497,949 S * 11/2004 Furlong D19/165
- D504,151 S * 4/2005 Furlong D19/165
- 6,932,531 B2 * 8/2005 Marschand B43K 8/003
- 401/195
- D534,211 S * 12/2006 Kent D19/163
- D545,895 S * 7/2007 Okutani D19/117
- D546,388 S * 7/2007 Hung D19/117
- D547,801 S * 7/2007 Oka D19/163
- D567,290 S * 4/2008 Sato D19/194
- D568,933 S * 5/2008 Qiu D19/163
- D569,428 S * 5/2008 Qiu D19/163
- D589,555 S * 3/2009 Li D19/117
- D597,598 S * 8/2009 Ma D19/163

(Continued)

Primary Examiner — Elizabeth Albert

(74) *Attorney, Agent, or Firm* — Eversheds Sutherland (US) LLP

(57) **CLAIM**

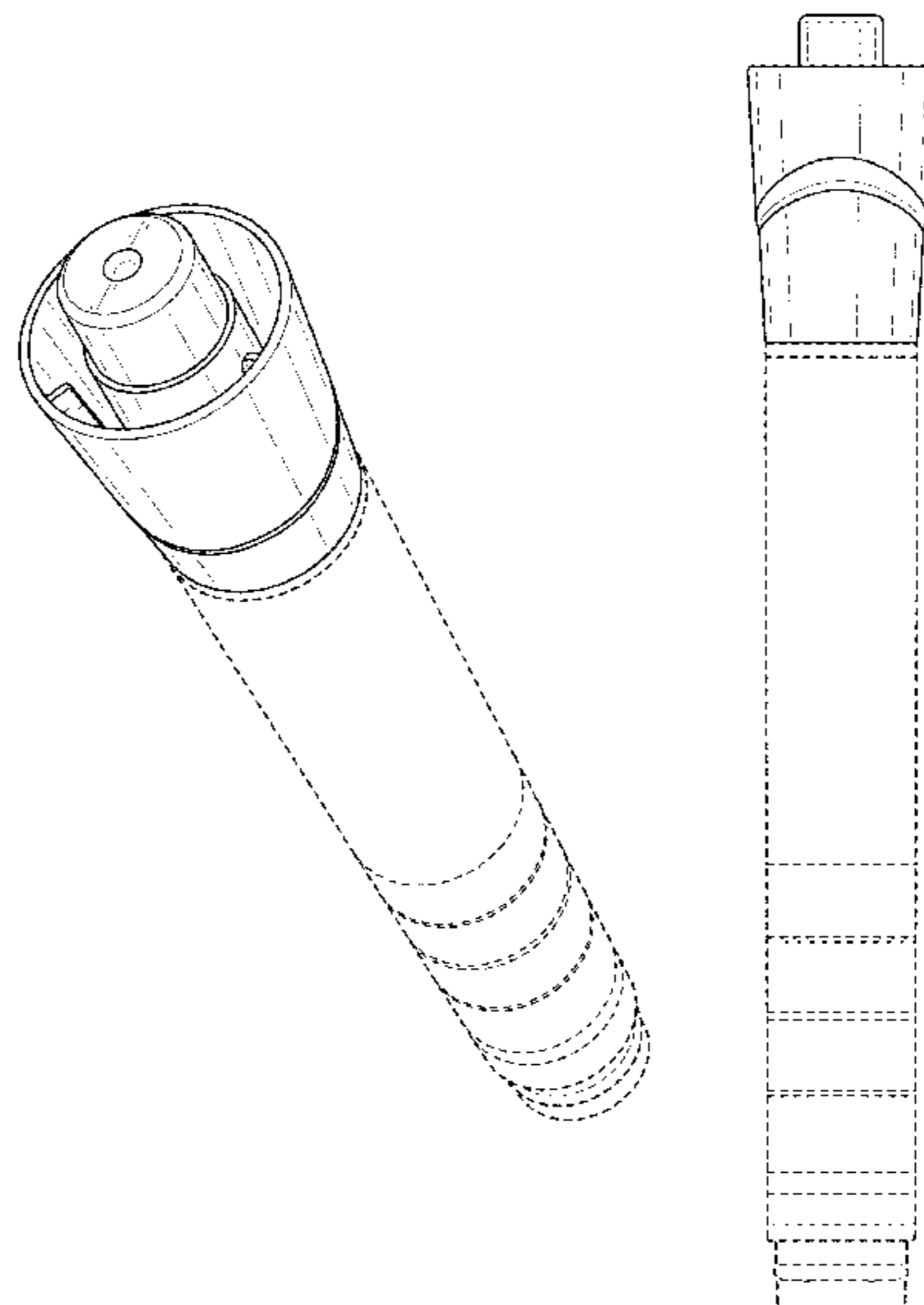
The ornamental design for a “cap for a writing instrument,” as shown and described.

DESCRIPTION

FIG. 1 is a perspective view of a cap for a writing instrument showing a new design;
FIG. 2 is a front view thereof;
FIG. 3 is a back view thereof;
FIG. 4 is a left view thereof;
FIG. 5 is a right view thereof;
FIG. 6 is a top view thereof; and,
FIG. 7 is a bottom view thereof.

The broken lines are included for the purpose of showing portions of the cap for a writing instrument that form no part of the claimed design.

1 Claim, 4 Drawing Sheets



(56)

References Cited

U.S. PATENT DOCUMENTS

D601,191 S *	9/2009	Hung	D19/117
D616,024 S *	5/2010	Siegel	D19/163
D676,546 S *	2/2013	Lovell	D24/113
D685,421 S *	7/2013	Jiang	D19/163
D688,303 S *	8/2013	Jiang	D19/163
D791,234 S *	7/2017	Vadenne	D19/194

* cited by examiner

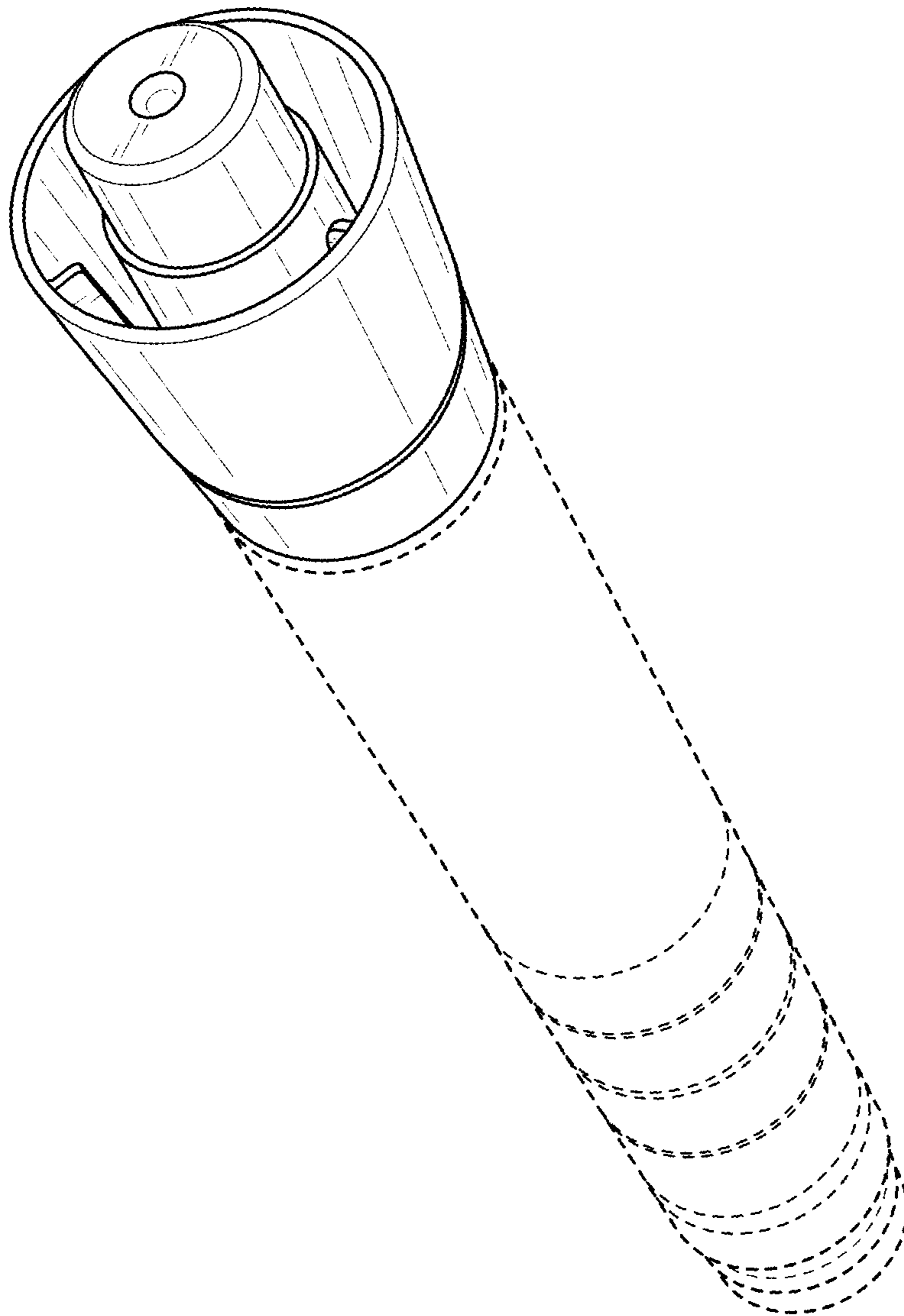


FIG. 1

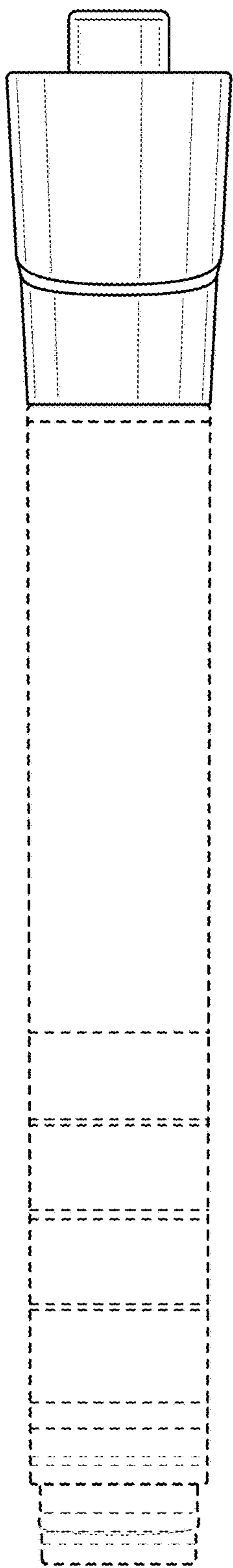


FIG. 2

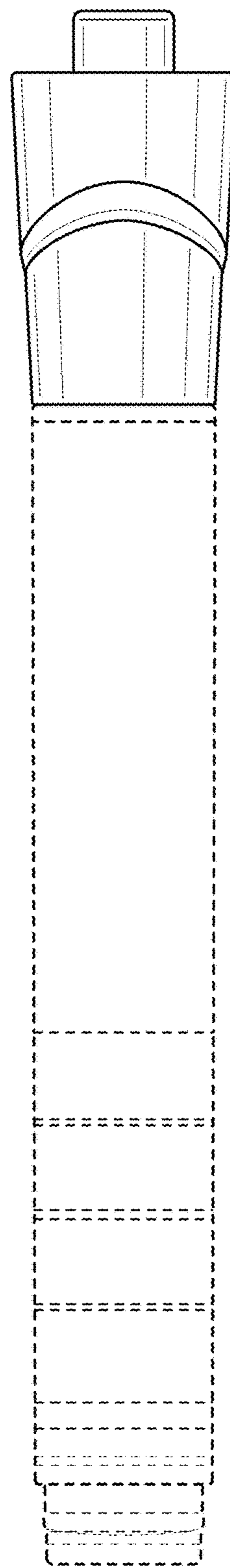


FIG. 3

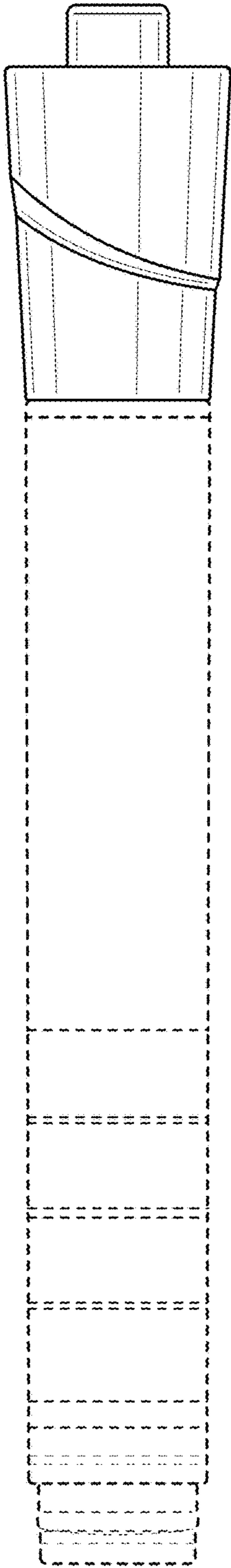


FIG. 4

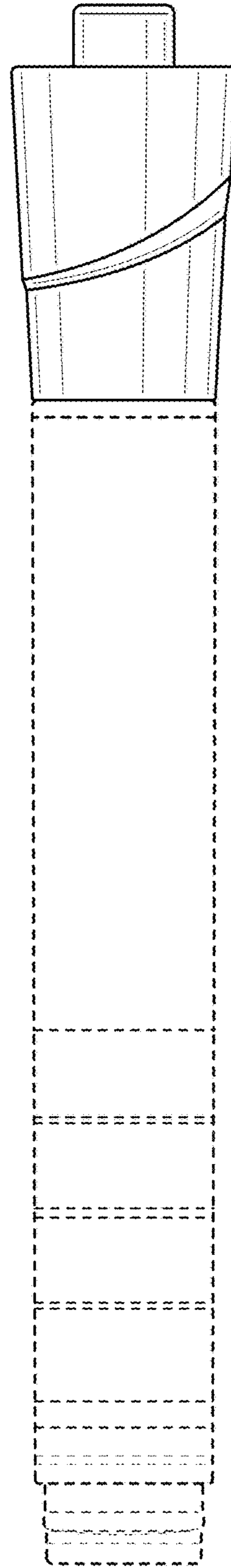


FIG. 5

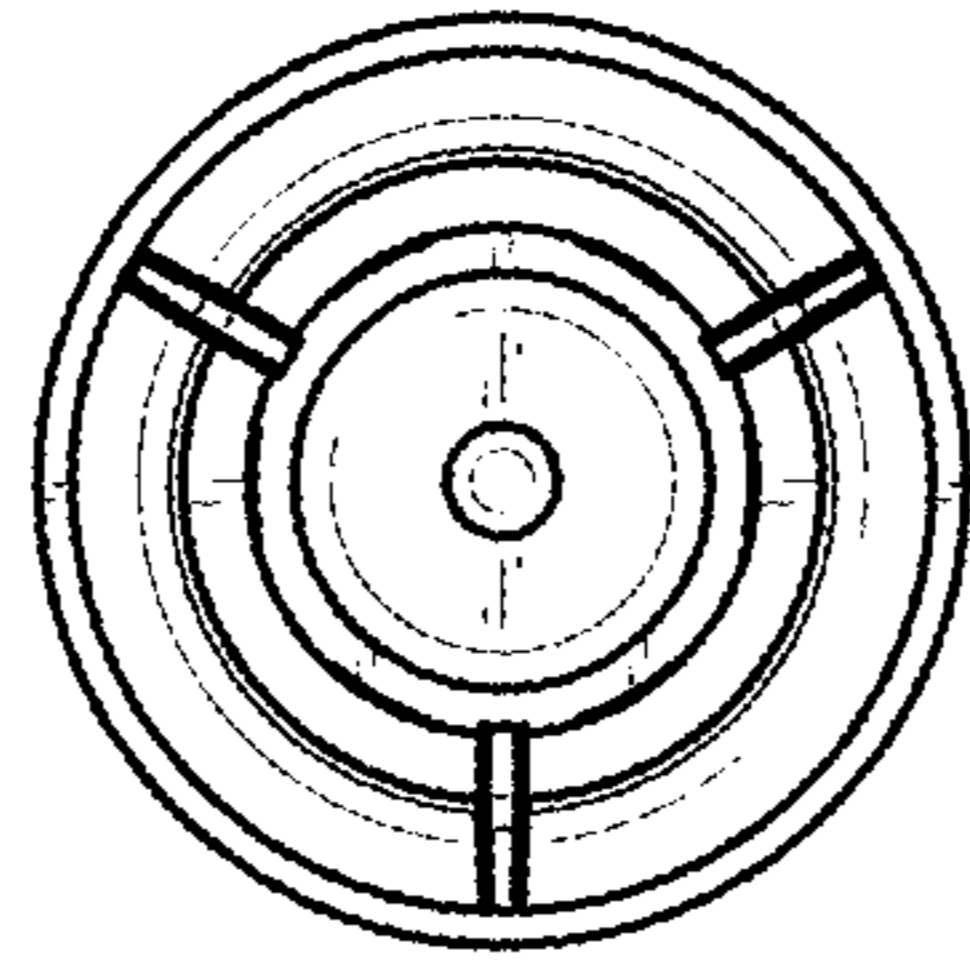


FIG. 6

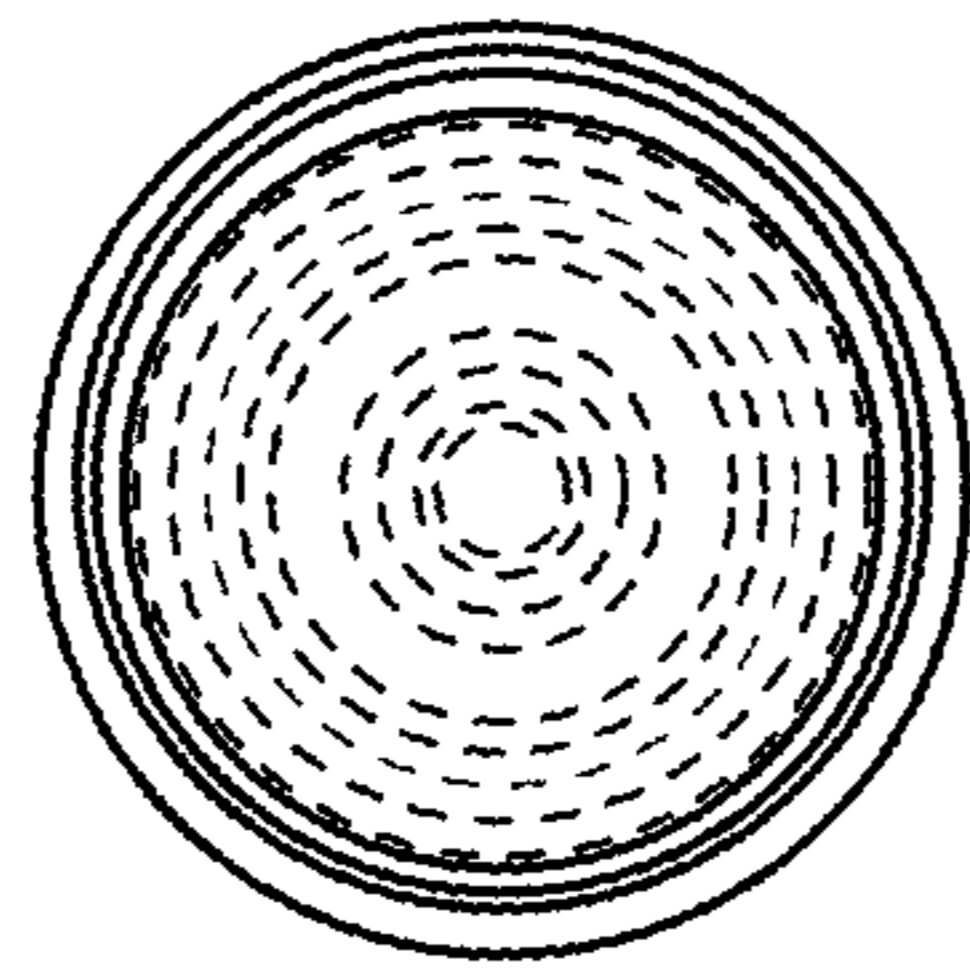


FIG. 7