



US00D837883S

(12) **United States Design Patent**
Zhao

(10) **Patent No.:** **US D837,883 S**
(45) **Date of Patent:** **** Jan. 8, 2019**

(54) **PEN**

(71) Applicant: **Ningbo Johnshen Stationery Co., Ltd.**, Ningbo (CN)

(72) Inventor: **Chongbiao Zhao**, Ningbo (CN)

(73) Assignee: **Ningbo Johnshen Stationery Co., Ltd.** (CN)

(**) Term: **15 Years**

(21) Appl. No.: **29/595,952**

(22) Filed: **Mar. 3, 2017**

(30) **Foreign Application Priority Data**

Jan. 6, 2017 (CN) 2017 3 0005365

(51) **LOC (11) Cl.** **19-06**

(52) **U.S. Cl.**
USPC **D19/169**; D19/917; D19/164

(58) **Field of Classification Search**
USPC D19/168–186, 117, 163–167, 901–934
CPC B43K 24/03; B43K 23/12; B43K 23/001;
G09B 5/04; G06F 3/03545
See application file for complete search history.

(56) **References Cited**

U.S. PATENT DOCUMENTS

D218,491 S *	8/1970	Bovin	D19/166
D242,855 S *	12/1976	Grinberg	D19/164
D273,397 S *	4/1984	Hechter	D19/169
D331,259 S *	11/1992	Rousseau	D19/168
D363,949 S *	11/1995	Compte	D19/164
D370,497 S *	6/1996	Moore	401/131
D598,954 S *	8/2009	Wang	D19/170

FOREIGN PATENT DOCUMENTS

CN	304046165	*	9/2016
CN	304139704	*	4/2017

OTHER PUBLICATIONS

Magnetic Pen posted by Monograph posted date unknown, © Dansk Shop, [online], [site visited Mar. 28, 2018]. Available from Internet, <https://www.danskshop.com/products/magnetic-pen> (Year: 2018).*
Monograph Magnetic Pen posted by The Deco Shop posted date unknown, © Trouva, [online], [site visited Mar. 28, 2018]. Available from Internet, <https://www.trouva.com/products/monograph-magnetic-pen> (Year: 2018).*
Graf Von Faber Castell Tamitio posted by Sbre Brown posted date Sep. 12, 2016, © YouTube, [online], [site visited Mar. 28, 2018]. Available from Internet, <https://www.youtube.com/watch?v=SL07T-52kZE> (Year: 2016).*

* cited by examiner

Primary Examiner — Cynthia Ramirez
Assistant Examiner — Laura H Yu

(74) *Attorney, Agent, or Firm* — Lerner, David, Littenberg, Krumholz & Mentlik, LLP

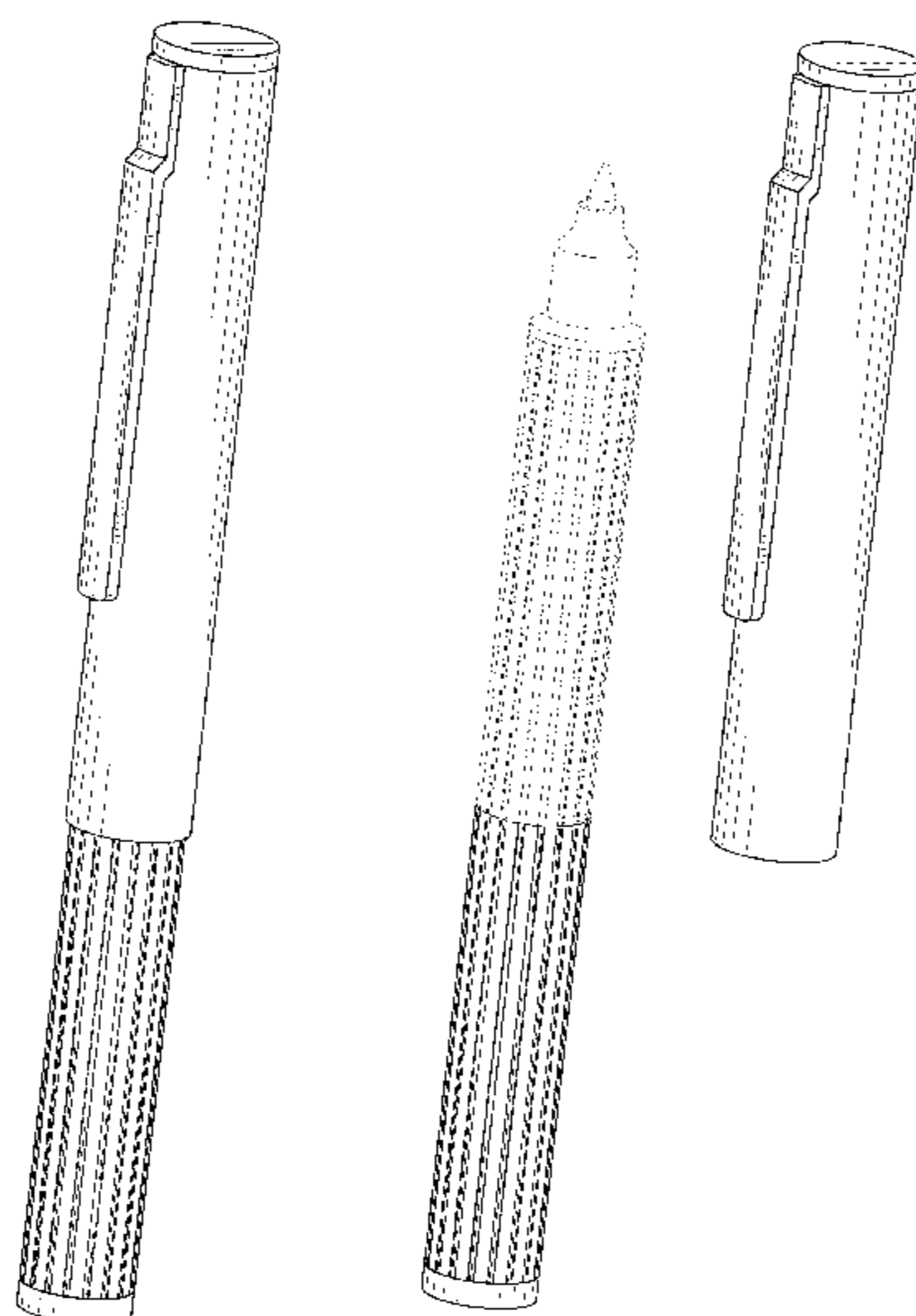
(57) **CLAIM**

The ornamental design for a pen, as shown and described.

DESCRIPTION

FIG. 1 is a front perspective view of a pen according to my design;
FIG. 2 is a front elevational view thereof;
FIG. 3 is a rear elevational view thereof;
FIG. 4 is a right side elevational view thereof;
FIG. 5 is a left side elevational view thereof;
FIG. 6 is a top plan view thereof;
FIG. 7 is a bottom plan view thereof; and,
FIG. 8 is an exploded perspective view thereof showing the pen with the cap removed.
The broken lines shown in the drawings show portions of the pen that form no part of the claimed design. The dot-dash line in FIG. 8 is a boundary line that forms no part of the claimed design.

1 Claim, 4 Drawing Sheets



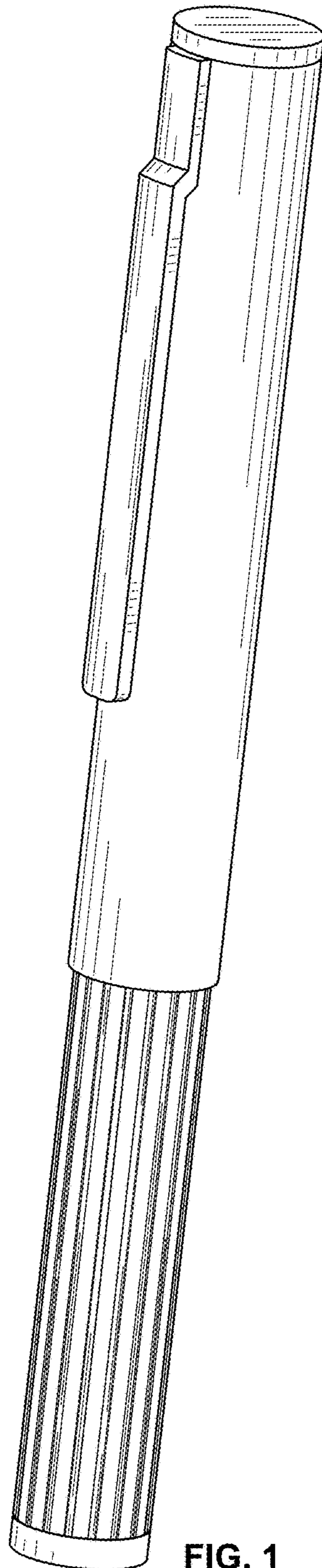


FIG. 1

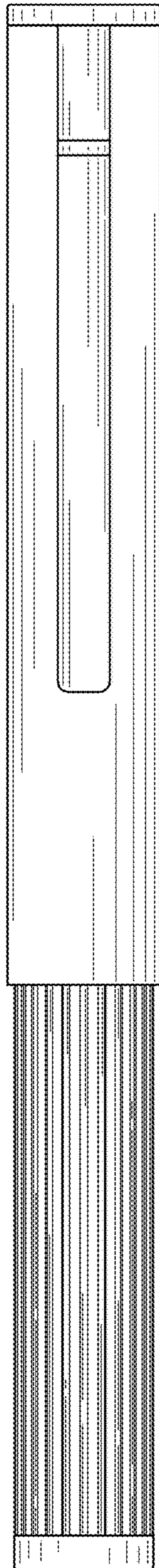


FIG. 2

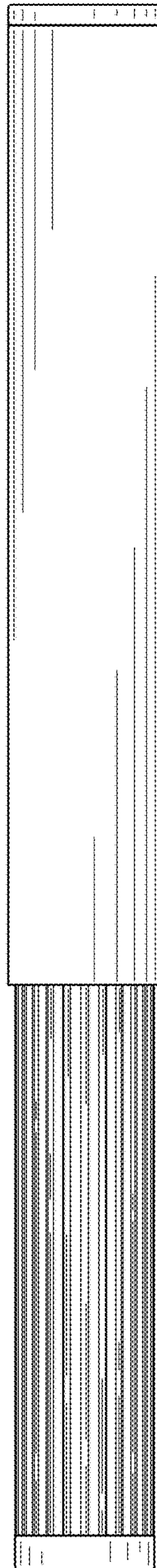


FIG. 3

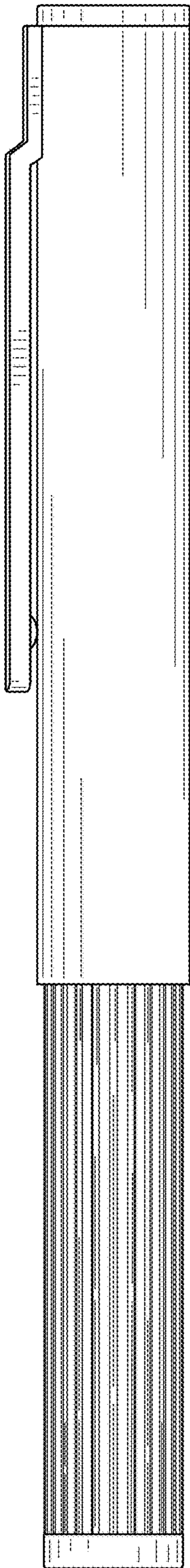


FIG. 4

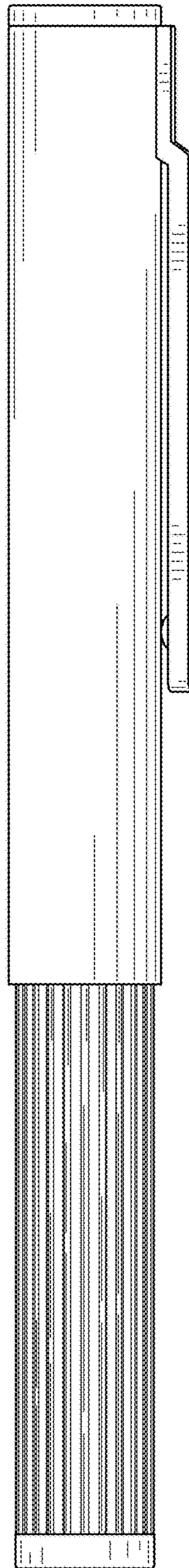


FIG. 5

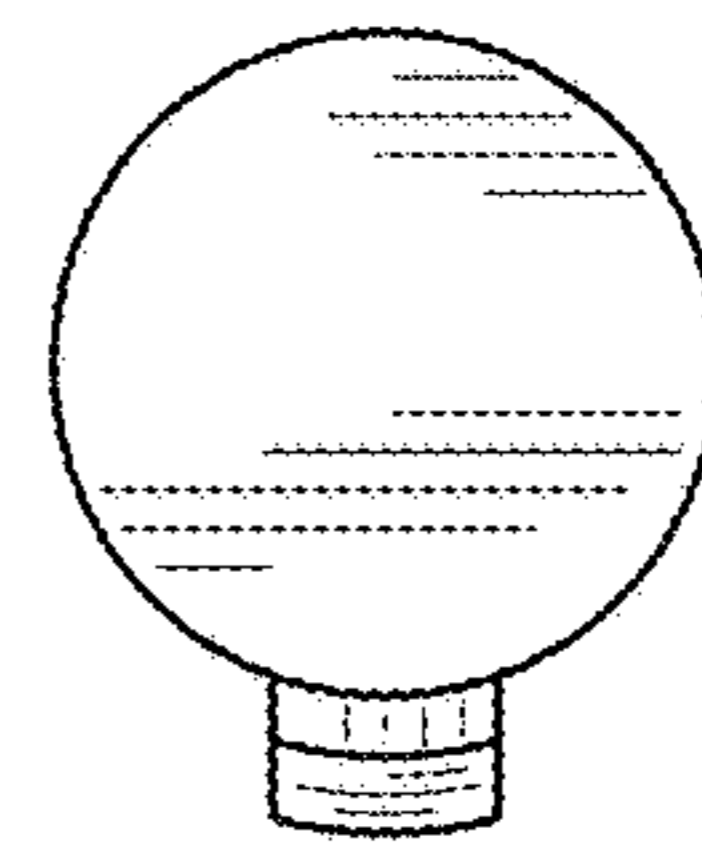


FIG. 6

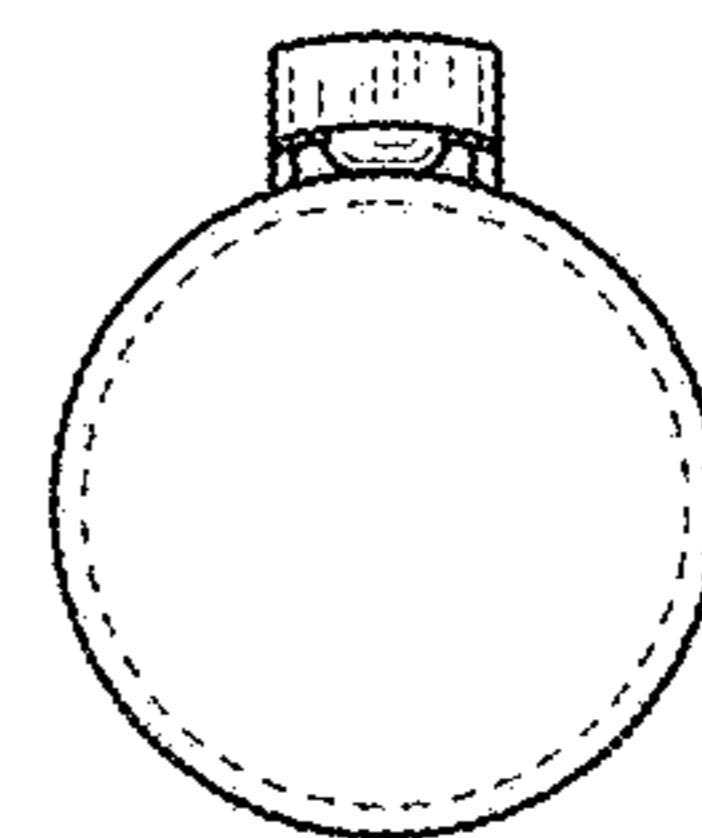


FIG. 7

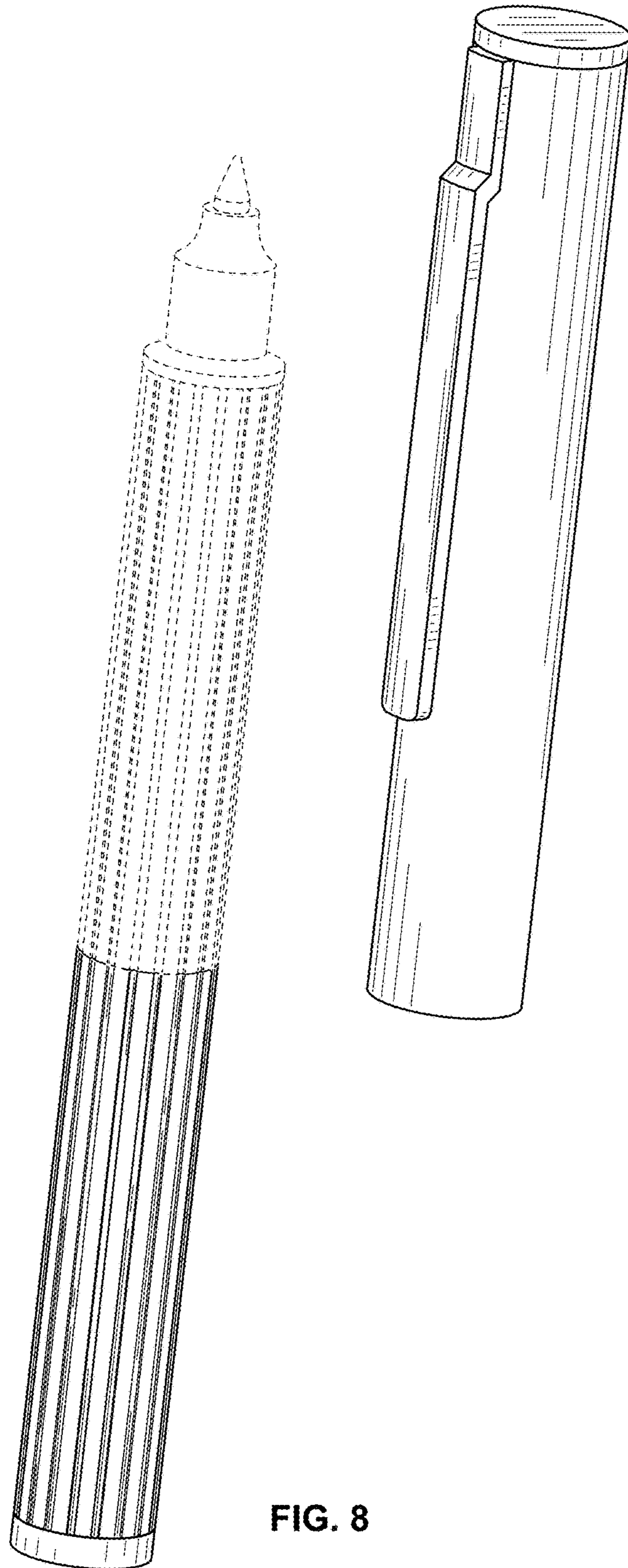


FIG. 8