



US00D837880S

(12) **United States Design Patent**
Fan

(10) **Patent No.:** **US D837,880 S**

(45) **Date of Patent:** **** Jan. 8, 2019**

(54) **PEN**

D666,671 S * 9/2012 Liu D19/168
D683,401 S * 5/2013 Zander D19/164

(71) Applicant: **Beifa Group Co., Ltd.**, Ningbo (CN)

* cited by examiner

(72) Inventor: **Yumeng Fan**, Ningbo (CN)

Primary Examiner — Cynthia Ramirez

(73) Assignee: **Beifa Group Co., Ltd.**, Ningbo (CN)

Assistant Examiner — Laura H Yu

(**) Term: **15 Years**

(74) *Attorney, Agent, or Firm* — Seed Intellectual Property Law Group LLP

(21) Appl. No.: **29/597,626**

(22) Filed: **Mar. 17, 2017**

(57) **CLAIM**

The ornamental design for a pen, as shown and described.

(30) **Foreign Application Priority Data**

Sep. 20, 2016 (CN) 2016 3 0474625

DESCRIPTION

(51) **LOC (11) Cl.** **19-06**

FIG. 1 is a front right perspective view of a pen showing my new design.

(52) **U.S. Cl.**

FIG. 2 is a front elevation view thereof.

USPC **D19/164**

FIG. 3 is a rear elevation view thereof.

(58) **Field of Classification Search**

USPC D19/196, 187, 179, 177, 176, 175, 173,
D19/169, 153, 117, 113, 164

FIG. 4 is a right side elevation view thereof, with the left side elevation view being a mirror image of the right side elevation view.

CPC B43K 24/03; B43K 23/12; B43K 23/001;
G09B 5/04; G06F 3/03545

FIG. 5 is a top plan view thereof.

See application file for complete search history.

FIG. 6 is a bottom plan view thereof.

(56) **References Cited**

FIG. 7 is an enlarged top plan view thereof; and,

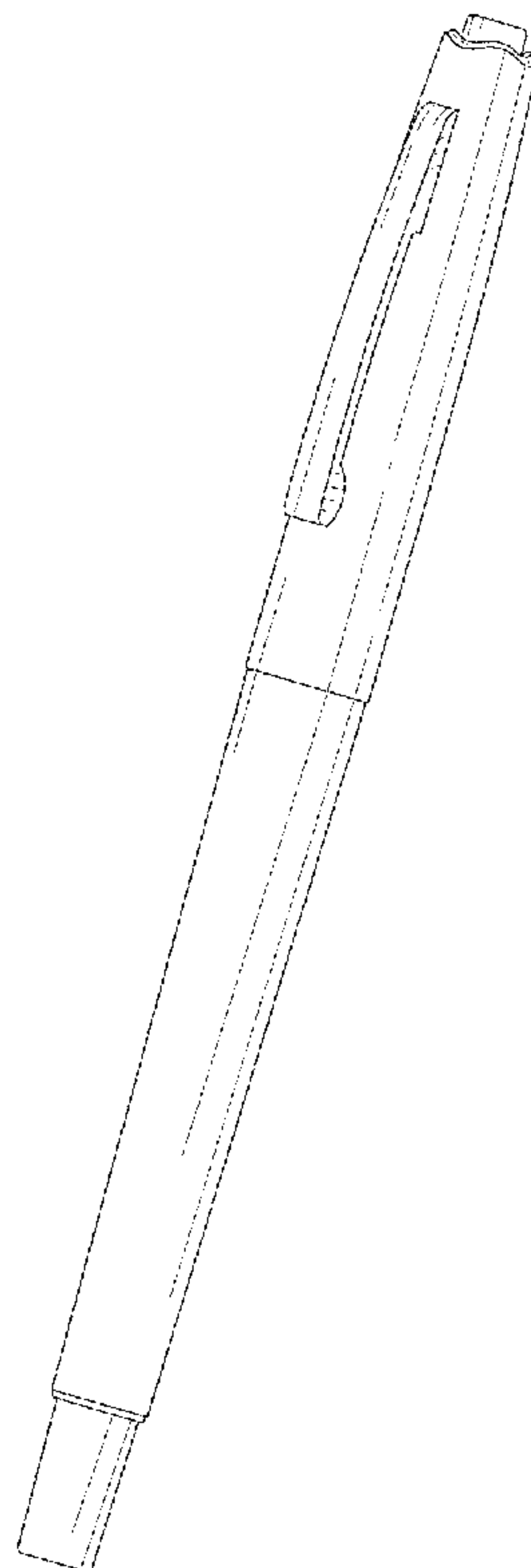
U.S. PATENT DOCUMENTS

FIG. 8 is an enlarged bottom plan view thereof.

D611,539 S * 3/2010 Zhang D19/168
D628,646 S * 12/2010 Zhano D19/164

The broken lines in the figures illustrate portions of the pen that form no part of the claimed design.

1 Claim, 3 Drawing Sheets



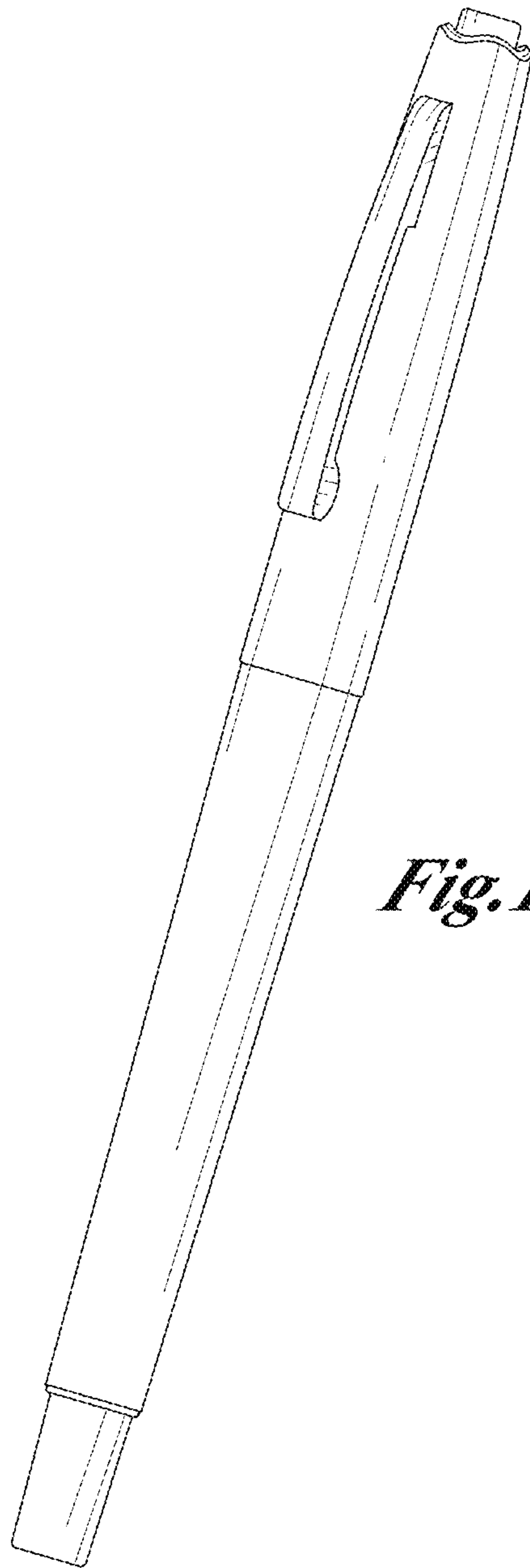


Fig. 1.

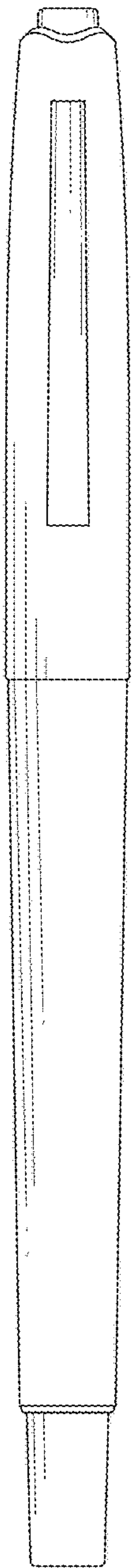


Fig. 2.

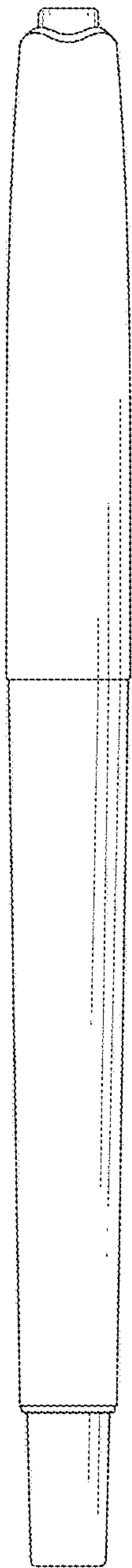


Fig. 3.

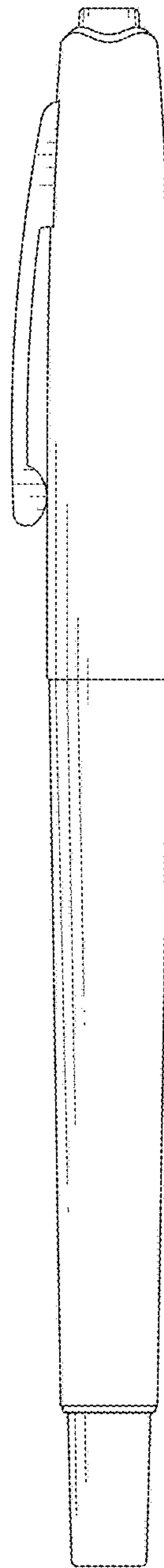


Fig. 4.

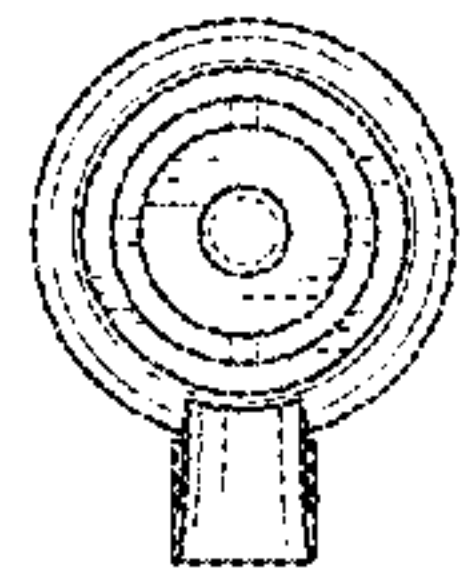


Fig. 5.

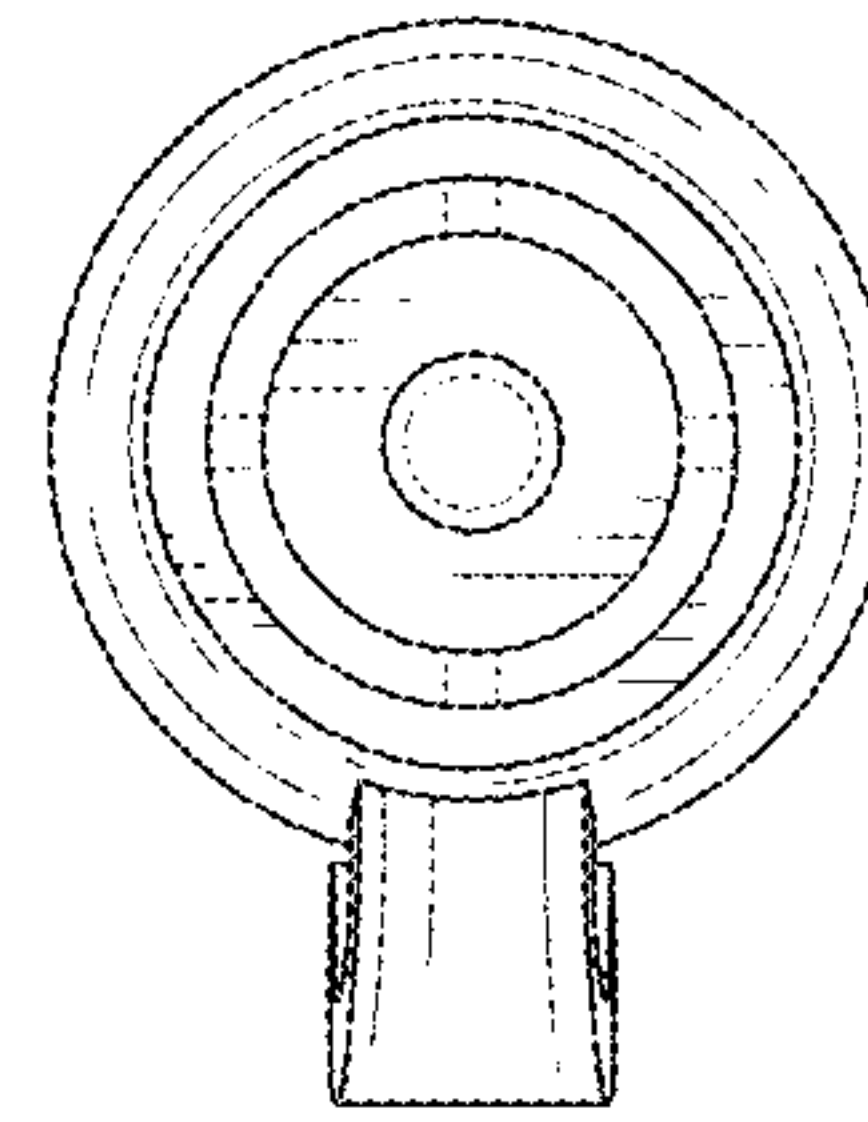


Fig. 7.

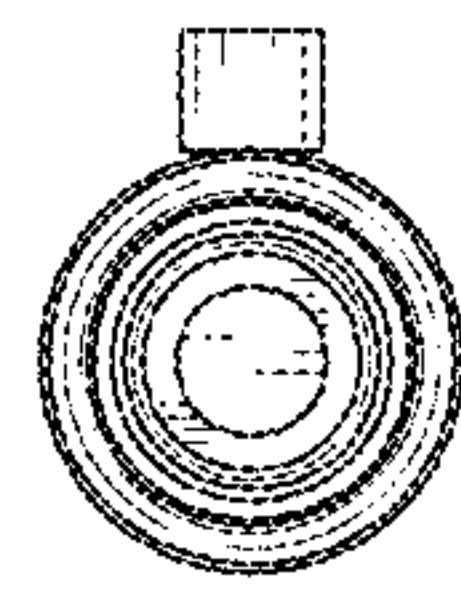


Fig. 6.

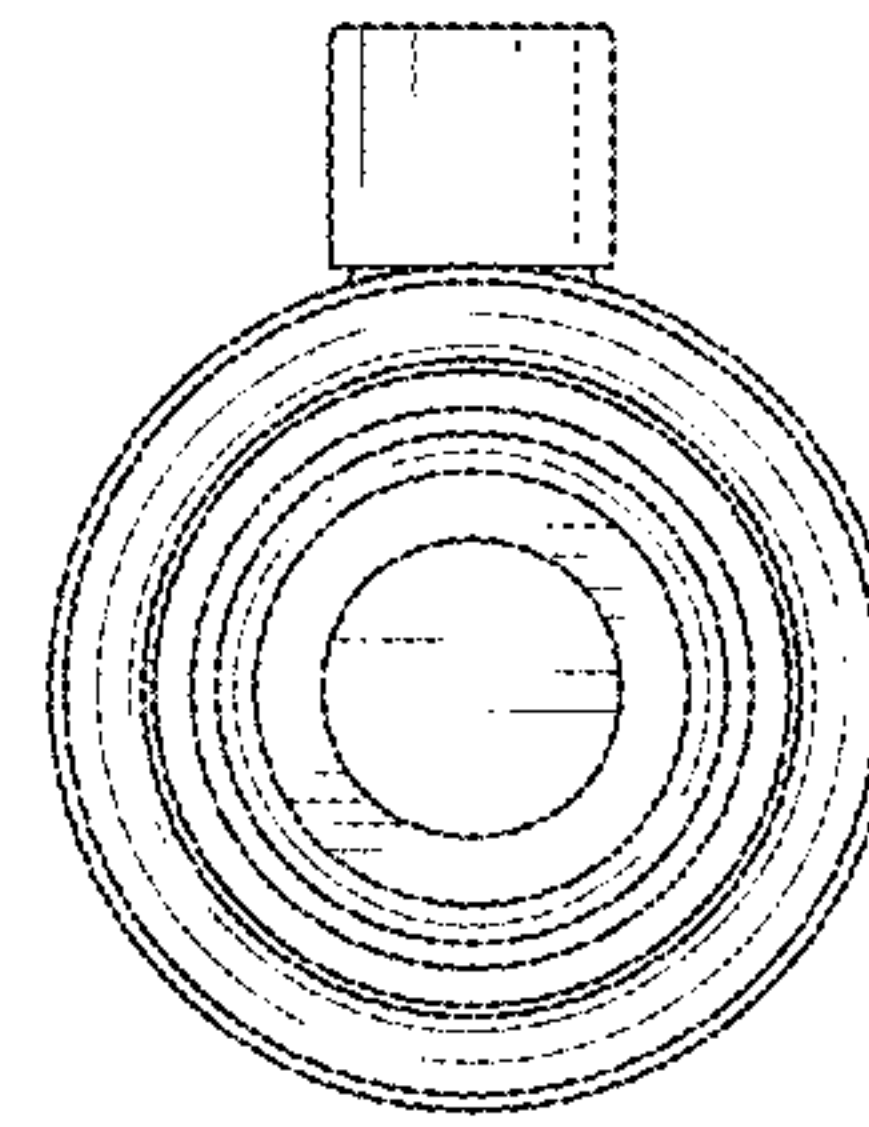


Fig. 8.