



US00D837876S

(12) **United States Design Patent**
Lyons et al.

(10) **Patent No.:** **US D837,876 S**

(45) **Date of Patent:** **** Jan. 8, 2019**

(54) **DOCKING STAND FOR POINT-OF-SALE DEVICE**

(71) Applicant: **First Data Corporation**, Greenwood Village, CO (US)

(72) Inventors: **David Frederick Lyons**, Palo Alto, CA (US); **Christopher Loew**, Palo Alto, CA (US); **Leonard Speiser**, Mountain View, CA (US); **John Beatty**, Mountain View, CA (US); **Eric Fuhs**, Mountain View, CA (US)

(73) Assignee: **First Data Corporation**, Greenwood Village, CO (US)

(**) Term: **15 Years**

(21) Appl. No.: **29/546,572**

(22) Filed: **Nov. 24, 2015**

Related U.S. Application Data

(62) Division of application No. 29/469,222, filed on Oct. 8, 2013, now Pat. No. Des. 746,902.

(51) **LOC (11) Cl.** **18-01**

(52) **U.S. Cl.**
USPC **D18/4.5**

(58) **Field of Classification Search**
USPC D18/4.4, 4.5, 4.6, 2, 4.1, 4.3, 12, 12.1, D18/99; D14/383, 385, 300, 301, 302, D14/307, 333-340, 371, 375, 376, 496, D14/129, 130, 388, 389, 218
CPC G06Q 20/00; G06Q 20/08; G06Q 20/20; G06Q 20/40; G06Q 20/204; G06Q 20/341
See application file for complete search history.

(56) **References Cited**

U.S. PATENT DOCUMENTS

D510,577 S 10/2005 Jobs et al.
D607,844 S * 1/2010 Feldstein D13/168

D610,143 S * 2/2010 Park D14/374
D624,895 S 10/2010 Kasuga et al.
D635,975 S 4/2011 Seo et al.
D659,660 S 5/2012 Kumano
D660,293 S * 5/2012 Itou D14/239
D671,939 S 12/2012 Chung
D671,940 S 12/2012 Kim
D682,830 S 5/2013 Taunay da Graca Couto
D684,972 S 6/2013 Benson et al.
D687,821 S 8/2013 Lee et al.
D692,885 S 11/2013 Cruz
D698,785 S 2/2014 Canizares et al.
D700,605 S 3/2014 Hong
D702,230 S 4/2014 Toh et al.

(Continued)

Primary Examiner — Sandra S Snapp

Assistant Examiner — Holly E Thurman

(74) *Attorney, Agent, or Firm* — Eversheds Sutherland (US) LLP

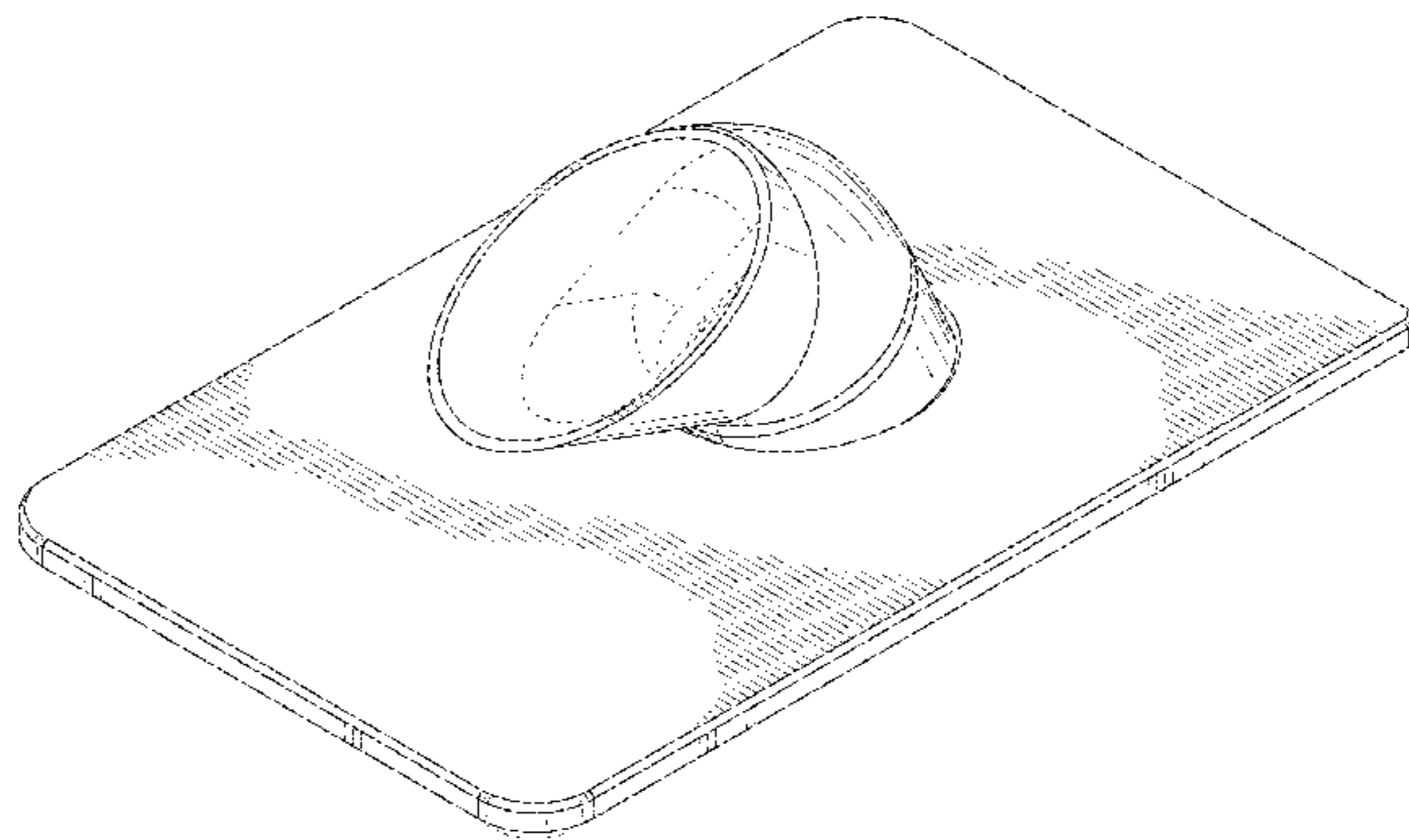
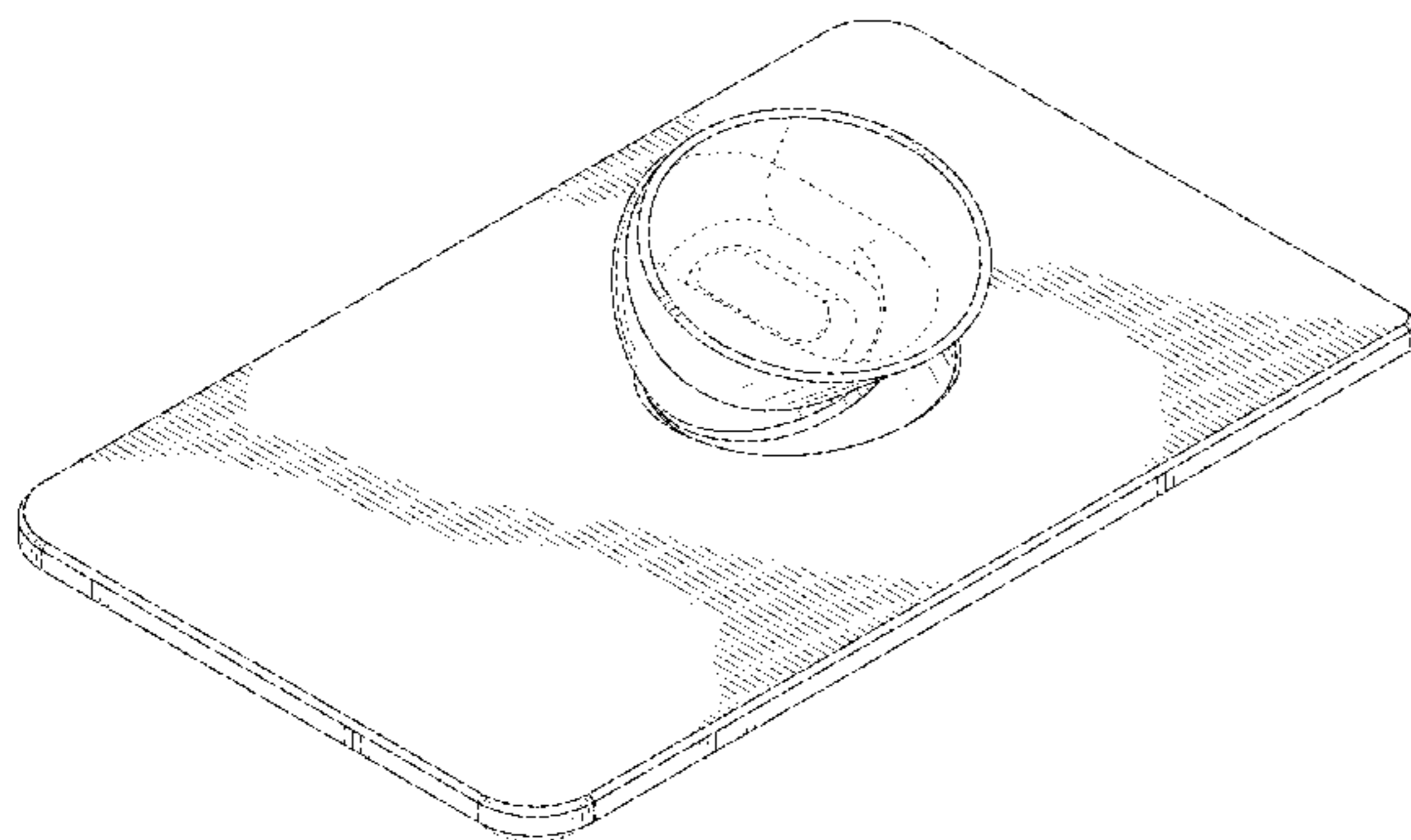
(57) **CLAIM**

The ornamental design for a docking stand for point-of-sale device, as shown and described.

DESCRIPTION

FIG. 1 is an upper perspective view of a docking stand for point-of-sale device showing our new design in a first configuration;
FIG. 2 is a top view thereof;
FIG. 3 is a front view thereof;
FIG. 4 is a side view thereof;
FIG. 5 is an upper perspective view of a docking stand for point-of-sale device showing our new design in a second configuration;
FIG. 6 is a top view thereof;
FIG. 7 is a front view thereof; and,
FIG. 8 is a side view thereof.
The broken lines are for purposes of illustration only and do not form a part of the claimed design.

1 Claim, 8 Drawing Sheets



(56)

References Cited

U.S. PATENT DOCUMENTS

D707,288	S	6/2014	Branck et al.	
D722,604	S *	2/2015	Woo	D14/448
D735,802	S *	8/2015	Lyons	D18/4.5
D746,902	S *	1/2016	Lyons	D18/4.5
D801,979	S *	11/2017	Seo	D14/451
2005/0015602	A1	6/2005	Ichikawa et al.	
2012/0014578	A1	6/2012	Lin	

* cited by examiner

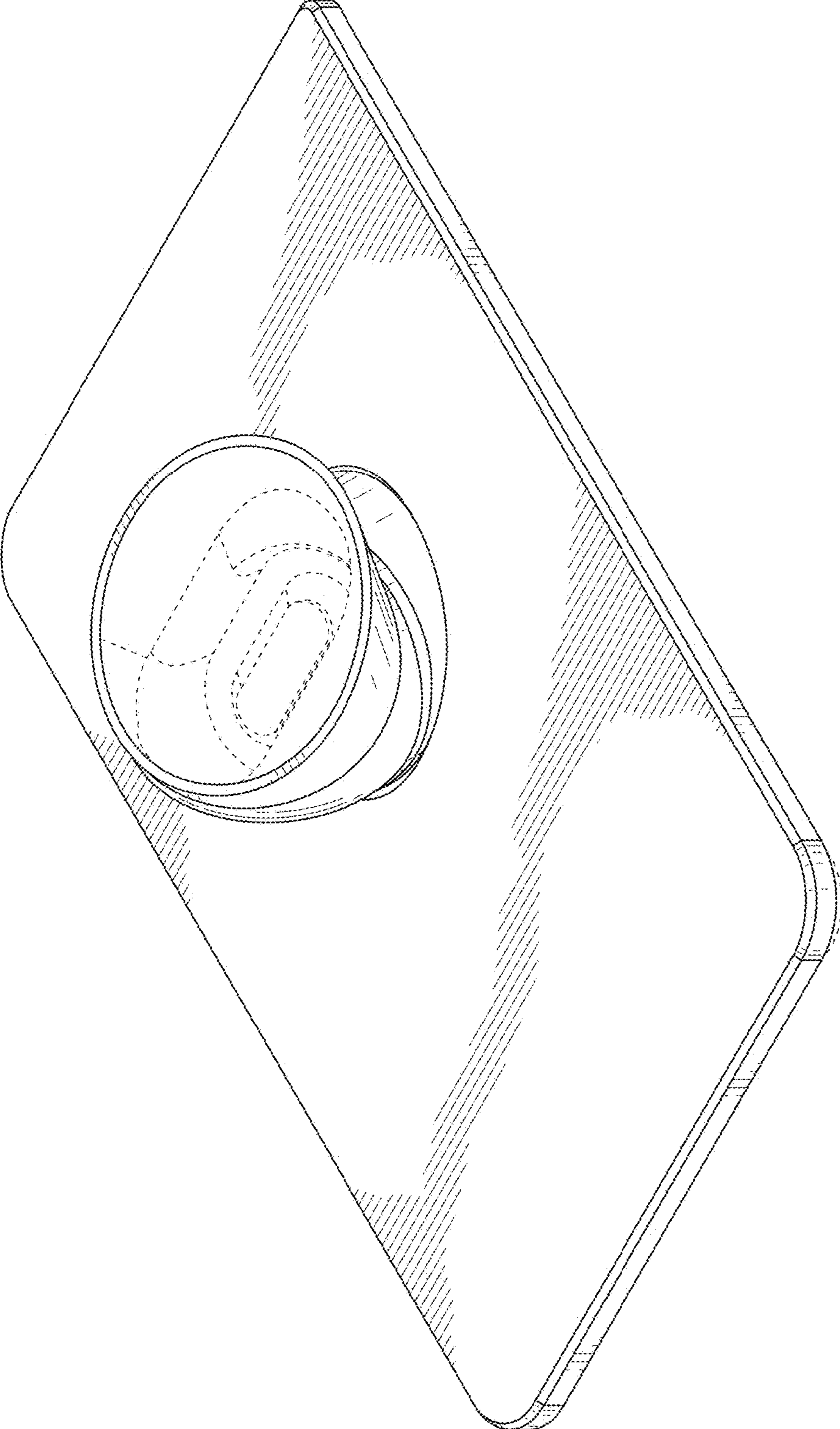


FIG. 1

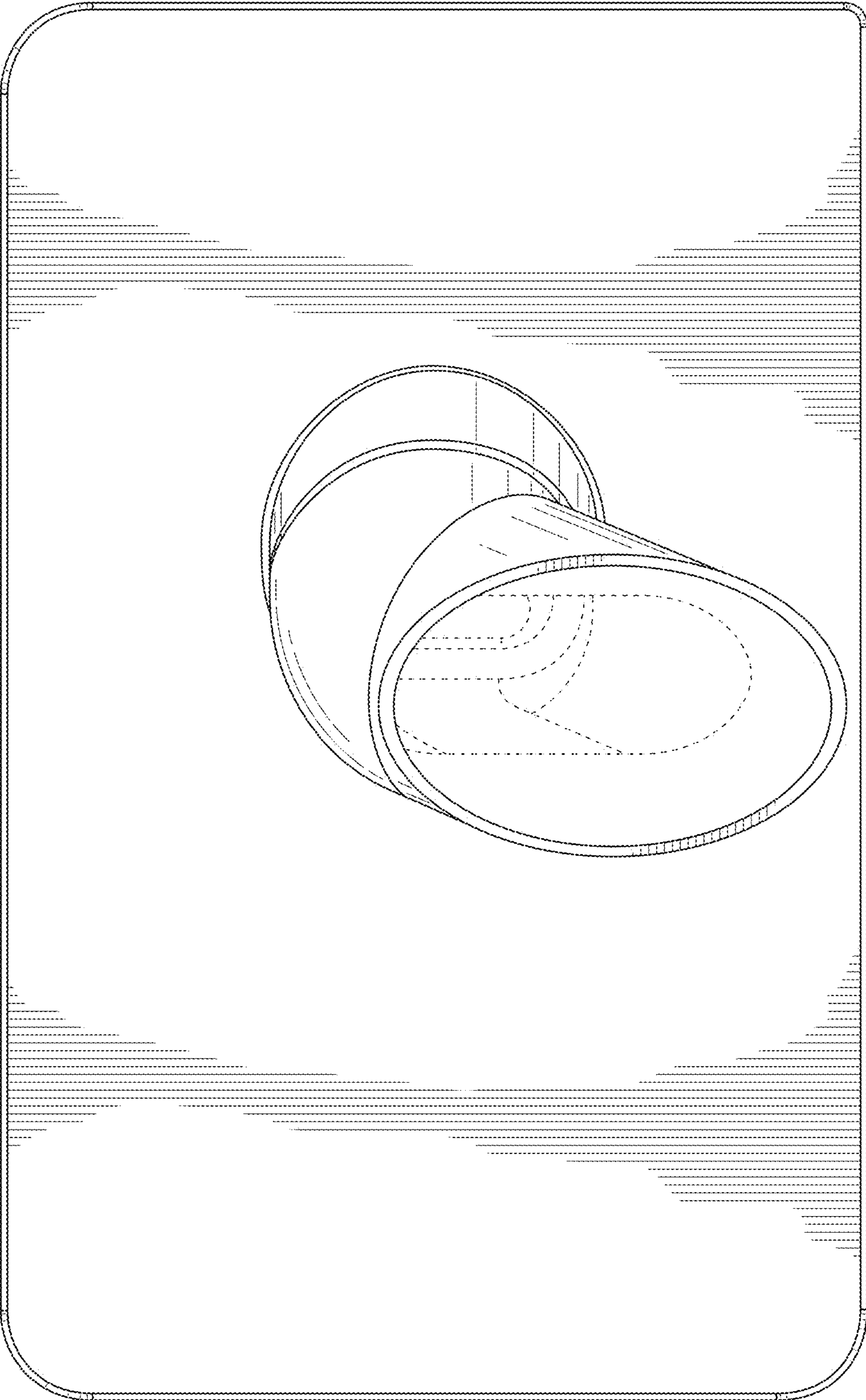


FIG. 2

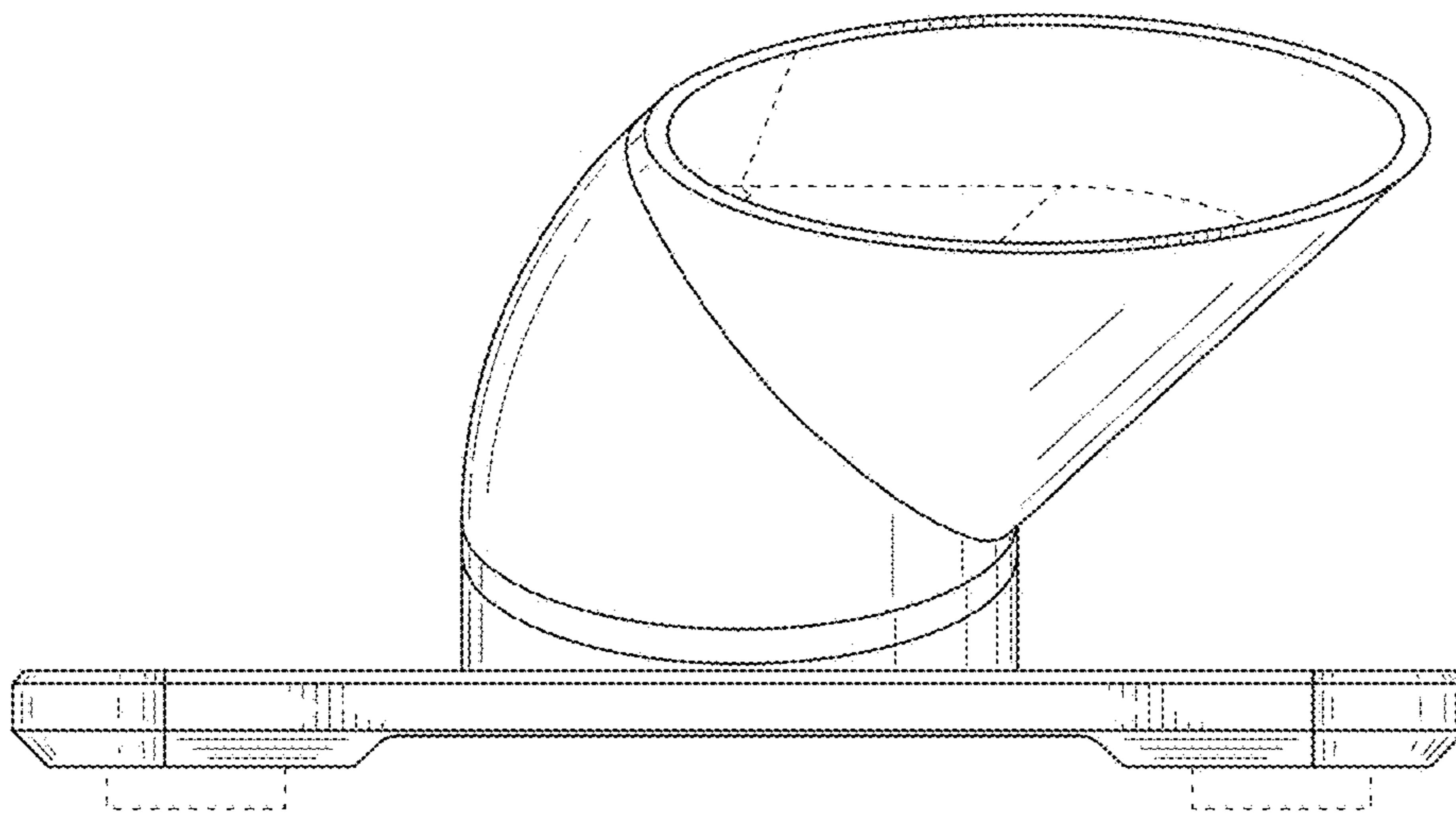


FIG. 3

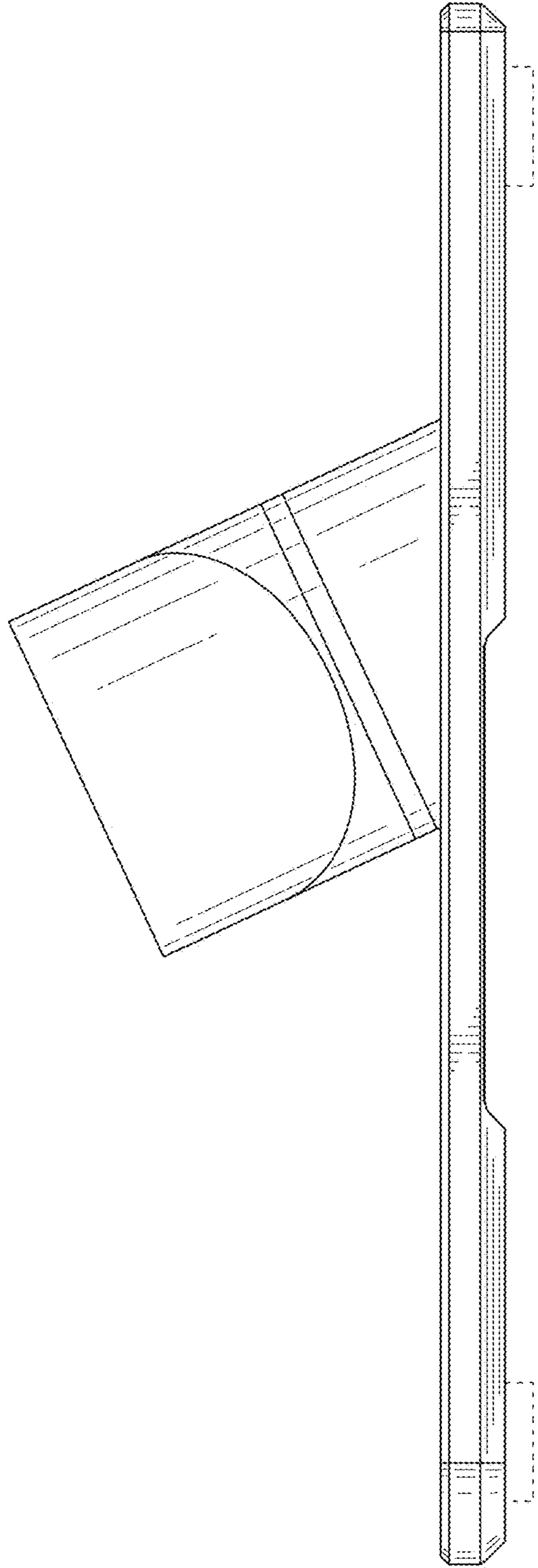


FIG. 4

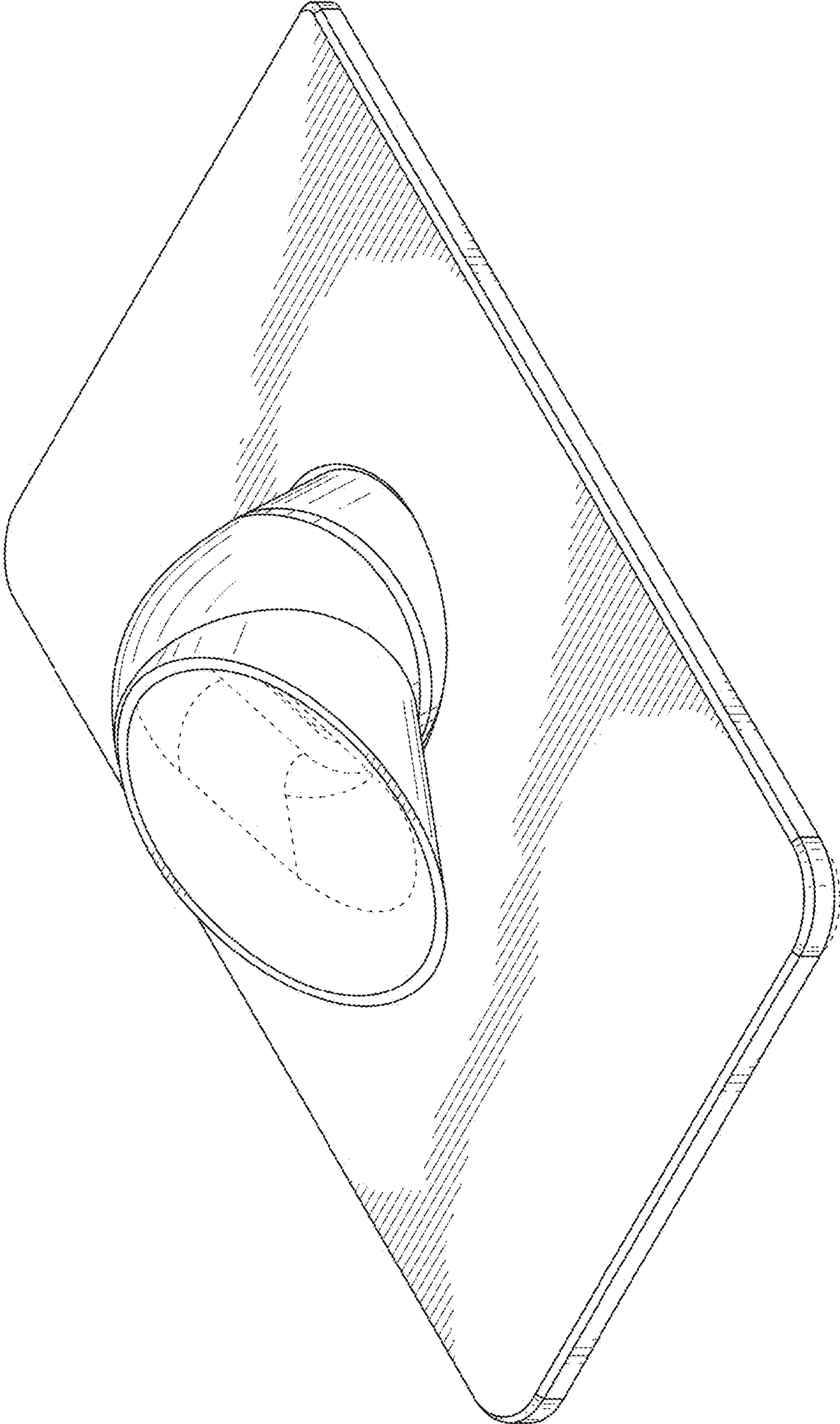


FIG. 5

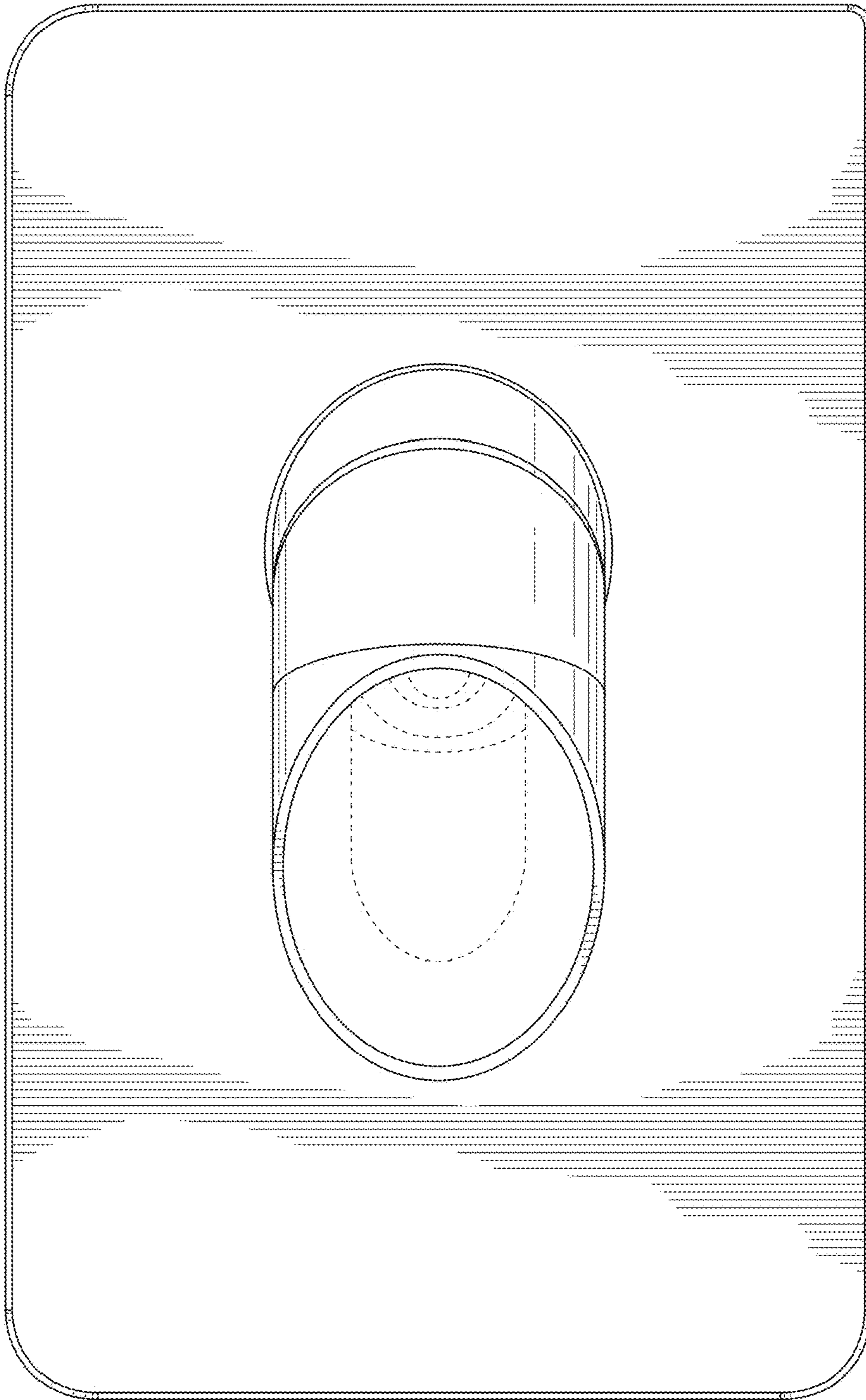


FIG. 6

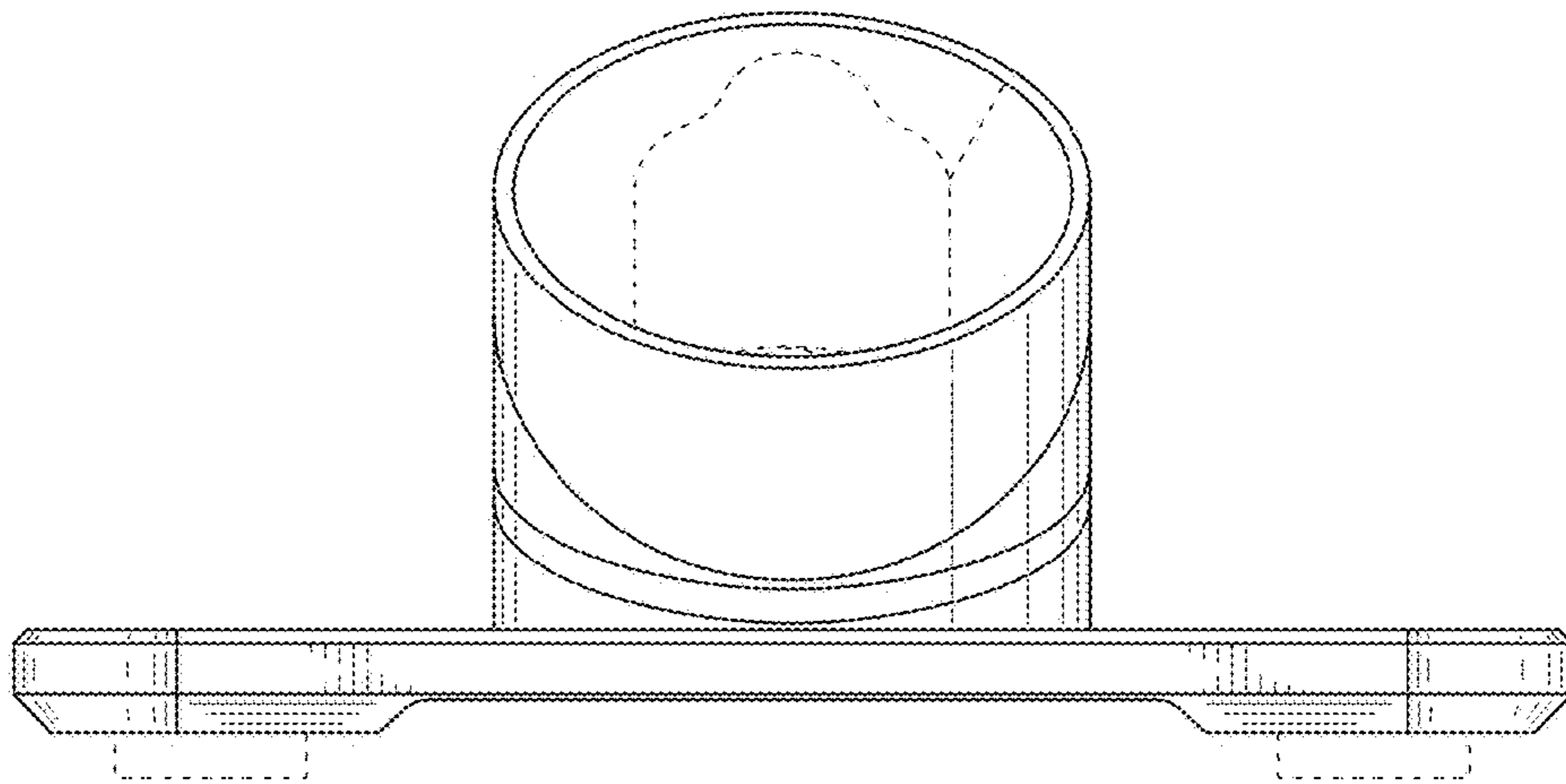


FIG. 7

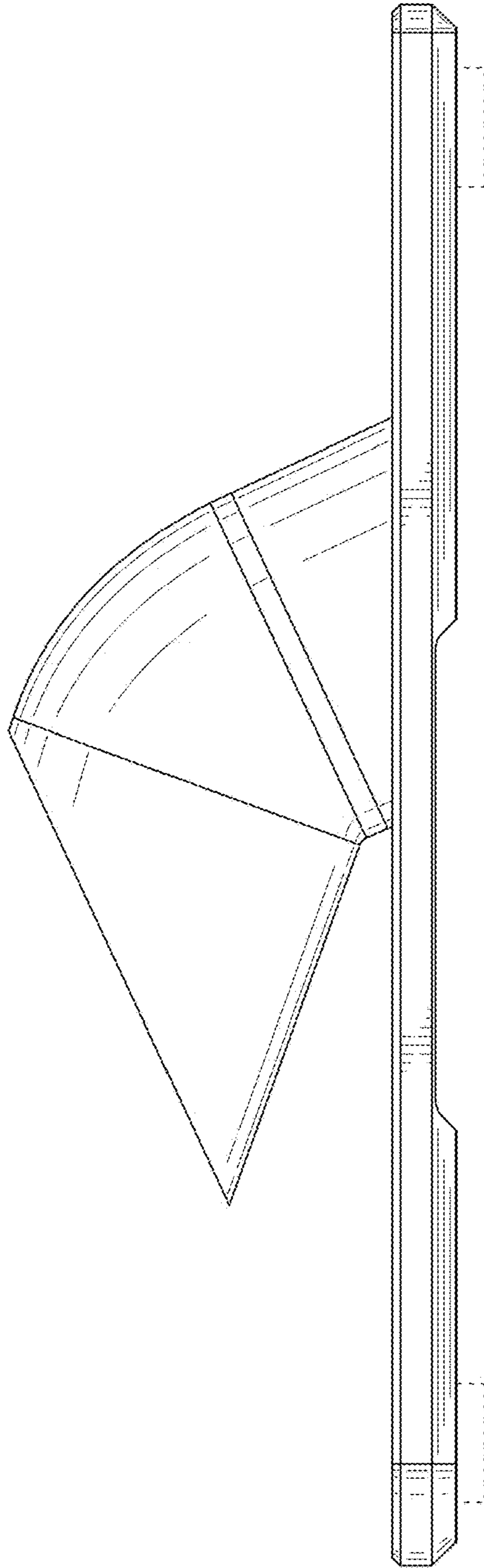


FIG. 8