



US00D837874S

(12) **United States Design Patent**
Sawada et al.

(10) **Patent No.:** **US D837,874 S**

(45) **Date of Patent:** **** Jan. 8, 2019**

(54) **ELECTRONIC PERCUSSION INSTRUMENT**

(71) Applicant: **Roland Corporation**, Shizuoka (JP)

(72) Inventors: **Shigeru Sawada**, Shizuoka (JP);
Hiroataka Koga, Shizuoka (JP)

(73) Assignee: **Roland Corporation**, Shizuoka (JP)

(**) Term: **15 Years**

(21) Appl. No.: **29/624,427**

(22) Filed: **Nov. 1, 2017**

(30) **Foreign Application Priority Data**

May 10, 2017 (CN) 2017 3 0168783

(51) **LOC (11) Cl.** **17-04**

(52) **U.S. Cl.**
USPC **D17/22**

(58) **Field of Classification Search**
USPC D17/22, 23, 99, 24; D21/405, 300, 324,
D21/396, 398
CPC G10D 13/00; G10D 13/003; G10D 13/02;
G10D 13/026; G10D 13/027; G10D
13/029
See application file for complete search history.

(56) **References Cited**

U.S. PATENT DOCUMENTS

3,122,961 A * 3/1964 Gorston G10D 13/00
84/484
3,166,970 A * 1/1965 Ellman G10D 13/029
84/411 R
4,179,974 A * 12/1979 Trankle G10D 13/029
84/411 P
D273,950 S * 5/1984 Itoh D14/217
D298,951 S * 12/1988 Benson D17/22

D313,997 S * 1/1991 Ito D14/218
5,929,354 A * 7/1999 Davis G10D 13/029
84/411 P
D444,460 S * 7/2001 Kitazawa D14/217
D520,553 S * 5/2006 Bogdan D13/167
D561,735 S * 2/2008 Nagura D14/168
D592,696 S * 5/2009 Gooday D17/20
D735,146 S * 7/2015 Sawada D13/167

OTHER PUBLICATIONS

Drummer World, Who started here long before they went there?,
posted Jun. 4, 2014, [online], [site visited Jul. 11, 2018]. Available
from Internet, <URL: <http://www.drummerworld.com/forums/showpost.php?p=1265580&postcount=14>> (Year: 2014).*

(Continued)

Primary Examiner — Sheryl Lane
Assistant Examiner — Samantha N Wood
(74) *Attorney, Agent, or Firm* — JCIPRNET

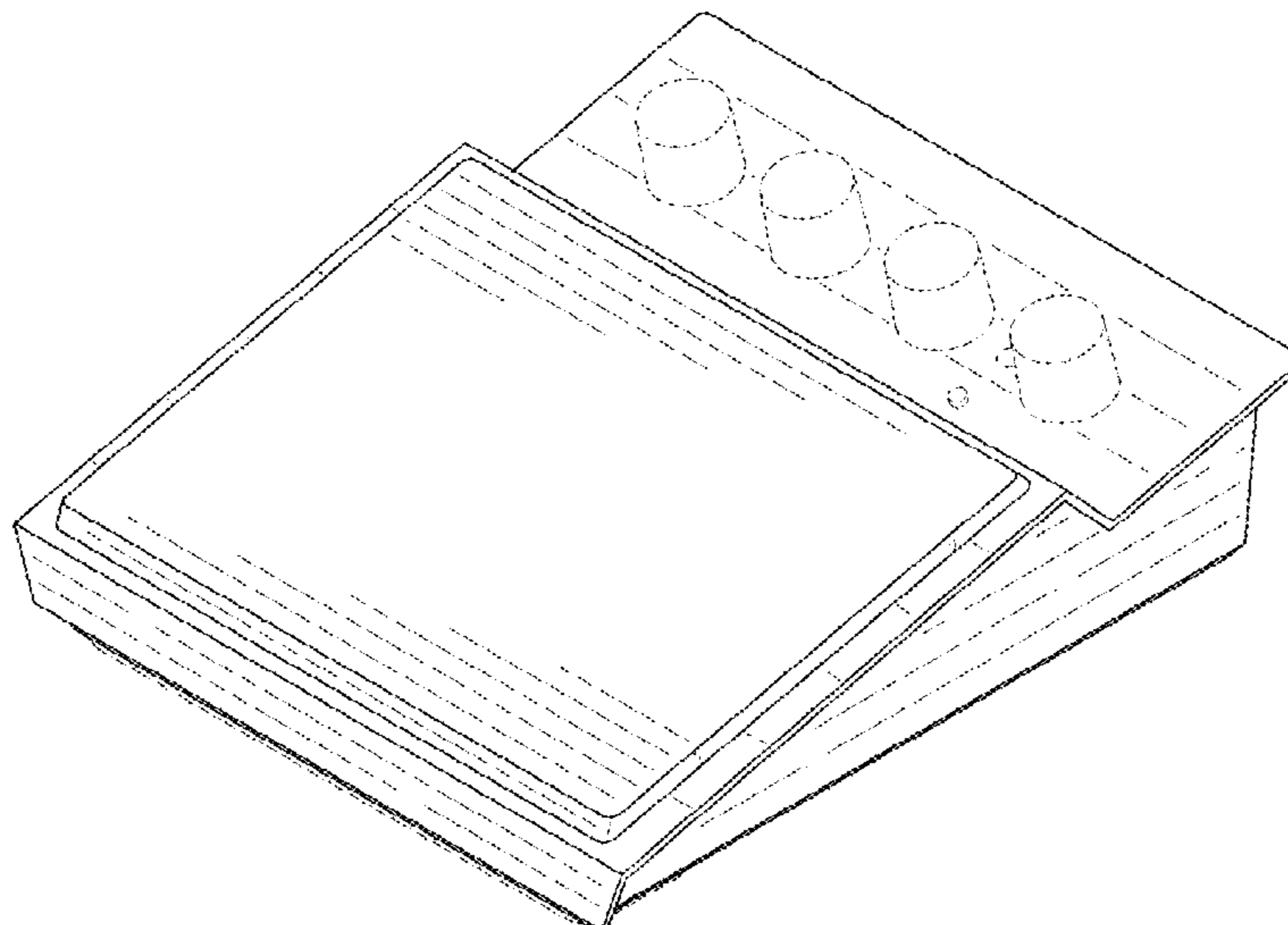
(57) **CLAIM**

The ornamental design for an electronic percussion instru-
ment, as shown and described.

DESCRIPTION

FIG. 1 is a perspective view of an electronic percussion
instrument showing a our new design;
FIG. 2 is a front view thereof;
FIG. 3 is a rear view thereof;
FIG. 4 is a left side view thereof;
FIG. 5 is a right side view thereof;
FIG. 6 is a top view thereof; and,
FIG. 7 is a bottom view thereof.
The broken lines in the drawings illustrate the portions of the
electronic percussion instrument and form no part of the
claimed design.

1 Claim, 5 Drawing Sheets



(56)

References Cited

OTHER PUBLICATIONS

Amazon, Stomp Box Foot Drum, posted Sep. 3, 2011, [online], [site visited Jul. 12, 2018]. Available from Internet, <URL: https://www.amazon.co.uk/SX-STOMP-STOMPBOX-GUITAR-ACCOMPANIMENT/dp/B005MOPBR6/ref=sr_1_19?ie=UTF8&qid=1531419487&sr=8-19&keywords=cajon+drum> (Year: 2011).*

World Music Supply, Vox Joe Satriani Pedals, posted Sep. 8, 2012, [online], [site visited Jul. 13, 2018]. Available from Internet, <URL: <https://worldmusicsupply.wordpress.com/category/guitar-effects-news/page/2/>> (Year: 2012).*

Flickr, Homemade Foot Midi Controller by Osamu Funada, posted Feb. 27, 2008, [online], [site visited Jul. 13, 2018]. Available from Internet, <URL: <https://www.flickr.com/photos/recotana/2295384127/>> (Year: 2008).*

Ask Audio, Feature Review: Steve H's Apogee GiO Diary, posted Jan. 12, 2011, [online], [site visited Jul. 13, 2018]. Available from

Internet, <URL: <https://ask.audio/articles/apogee-gio-review>> (Year: 2011).*

Boss, the photos of "Dr. Pad DRP-III DRP-3 Drum Pad Sound Effect Unit Stomp Box Pedal", <https://www.ebay.com/itm/Boss-Dr-Pad-DRP-III-DRP-3-Drum-Pad-Sound-Effect-Unit-Stomp-Box-Pedal-/112016414373?n>, retrieved on Feb. 28, 2017, pp. 1-8.

Boss, the photos of "HC-2 Hand Clapper," <http://doki-doki.xyz/2016-05/%e2%98%85-boss-hc-2-hand-clapper-%e3%83%8f%e3%83%b3%e3%83%89%e3%82%af%e3%83%a9%e3%83%83%e3%83%91%e3%83%bc%e3%80%80%e5%8b%95%e4%bd%9c%e7%a2%ba%e8%aa%8d%e6%b8%88-%e2%98%85/>, retrieved on Feb. 28, 2017, pp. 1-4.

Boss, the photos of "PC-2 Percussion Synthesizer," <https://reverb.com/item/1913092-boss-pc-2-percussion-synthesizer>, retrieved on Feb. 28, 2017, pp. 1-6.

Boss, the photos of "Midi Controller Pad Trigger MPD-4," <http://harmonic-sound.com/boss-mpd-4/>, retrieved on Feb. 28, 2017, pp. 1-17.

* cited by examiner

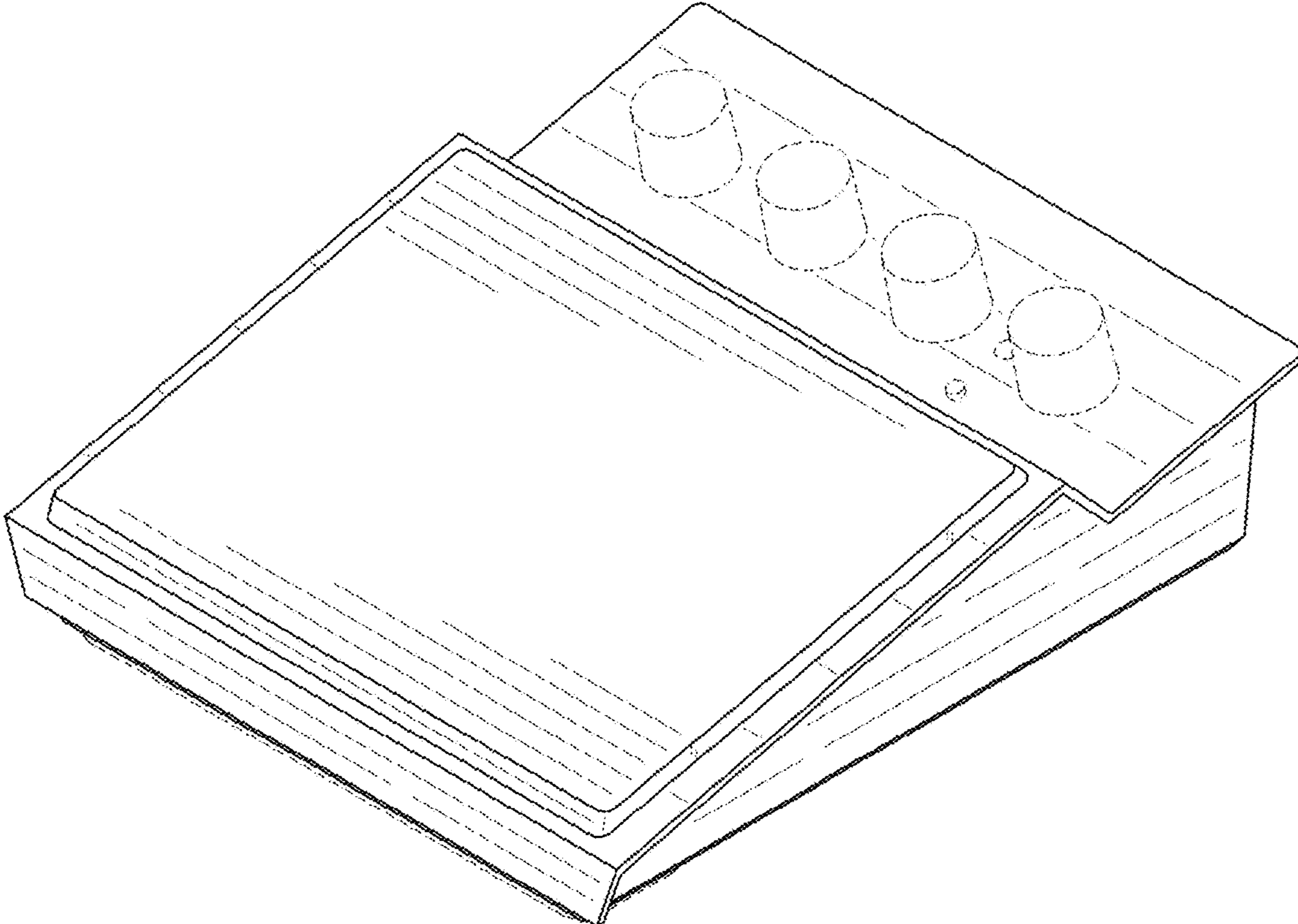


FIG. 1

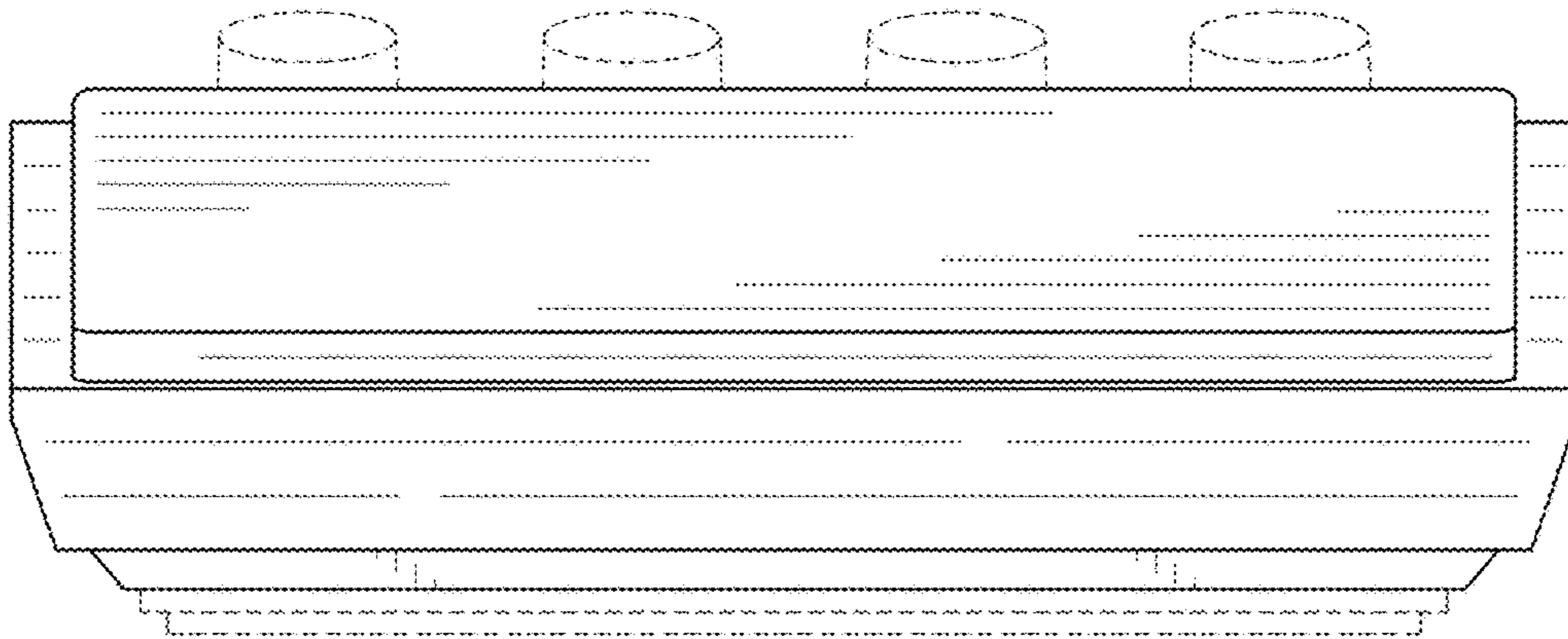


FIG. 2

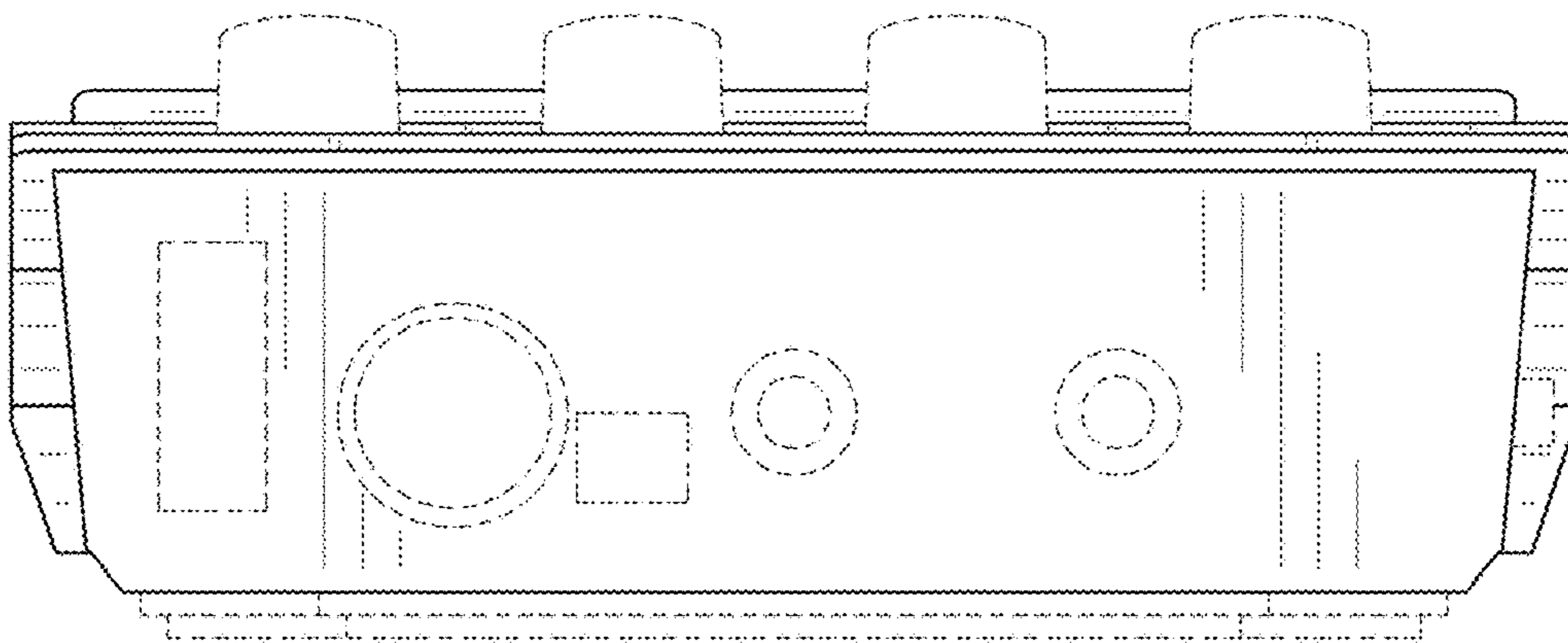


FIG. 3

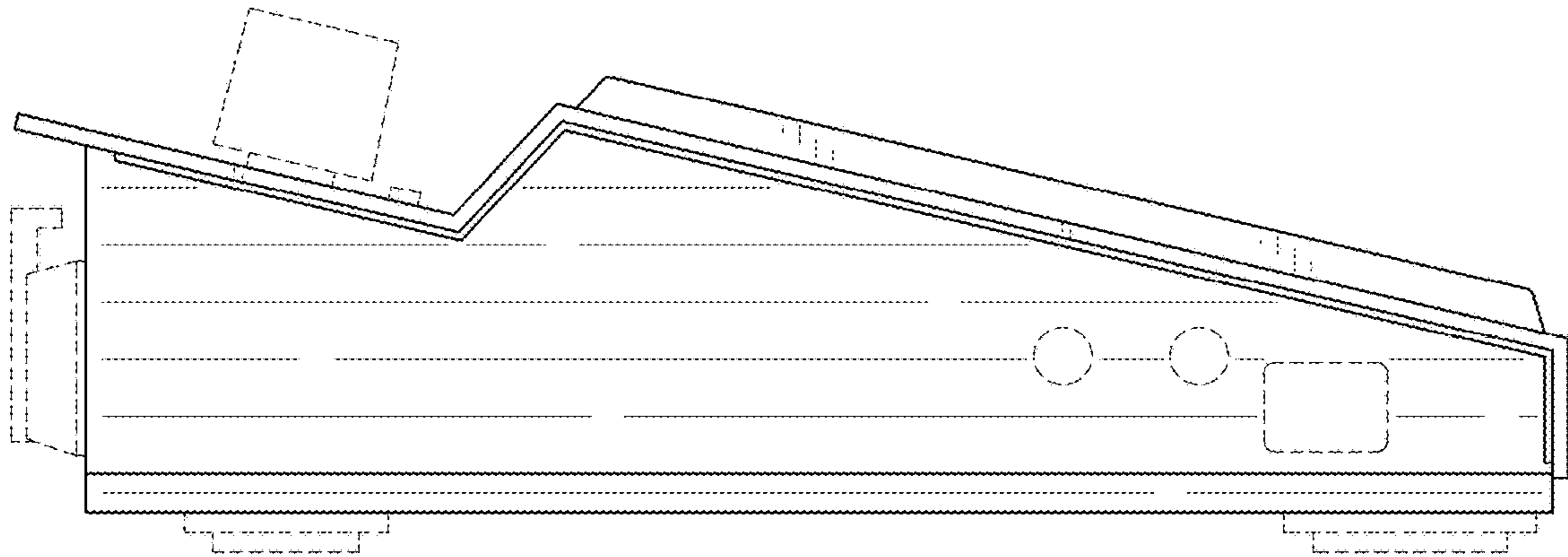


FIG. 4

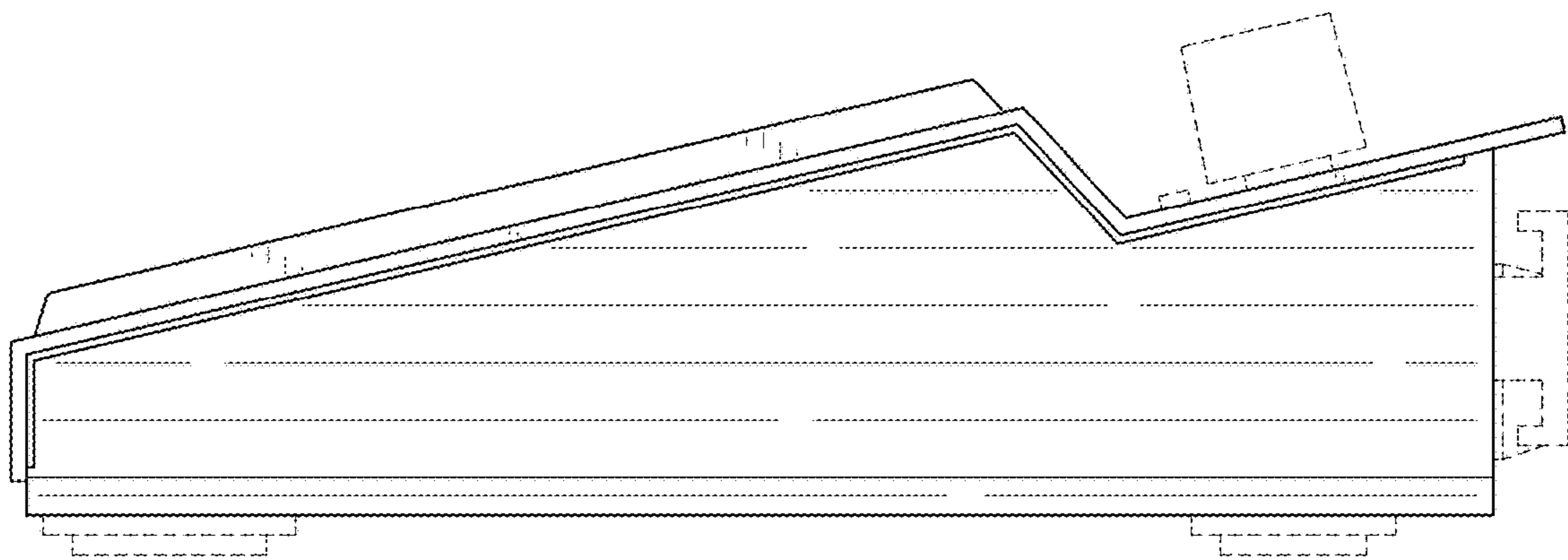


FIG. 5

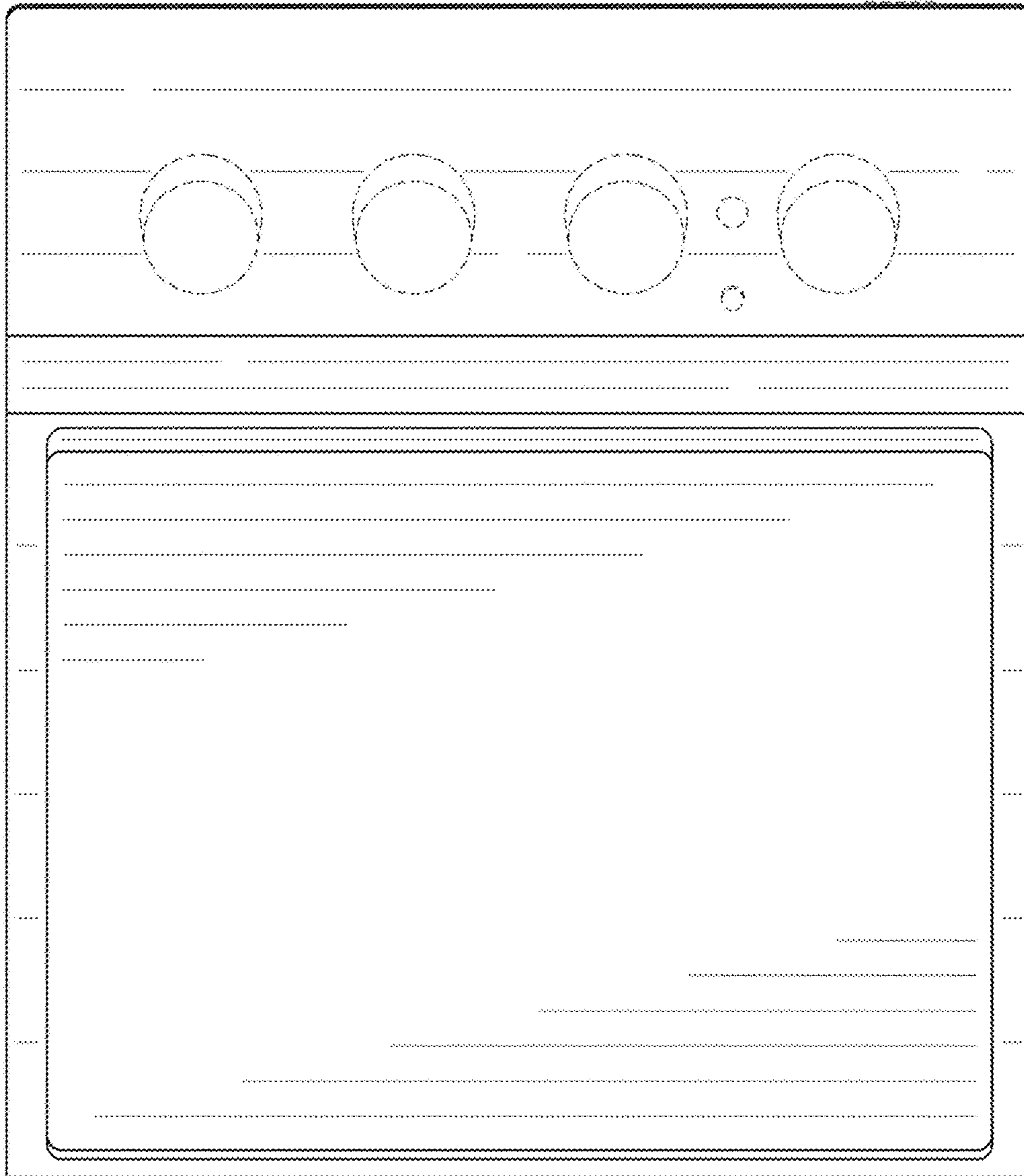


FIG. 6

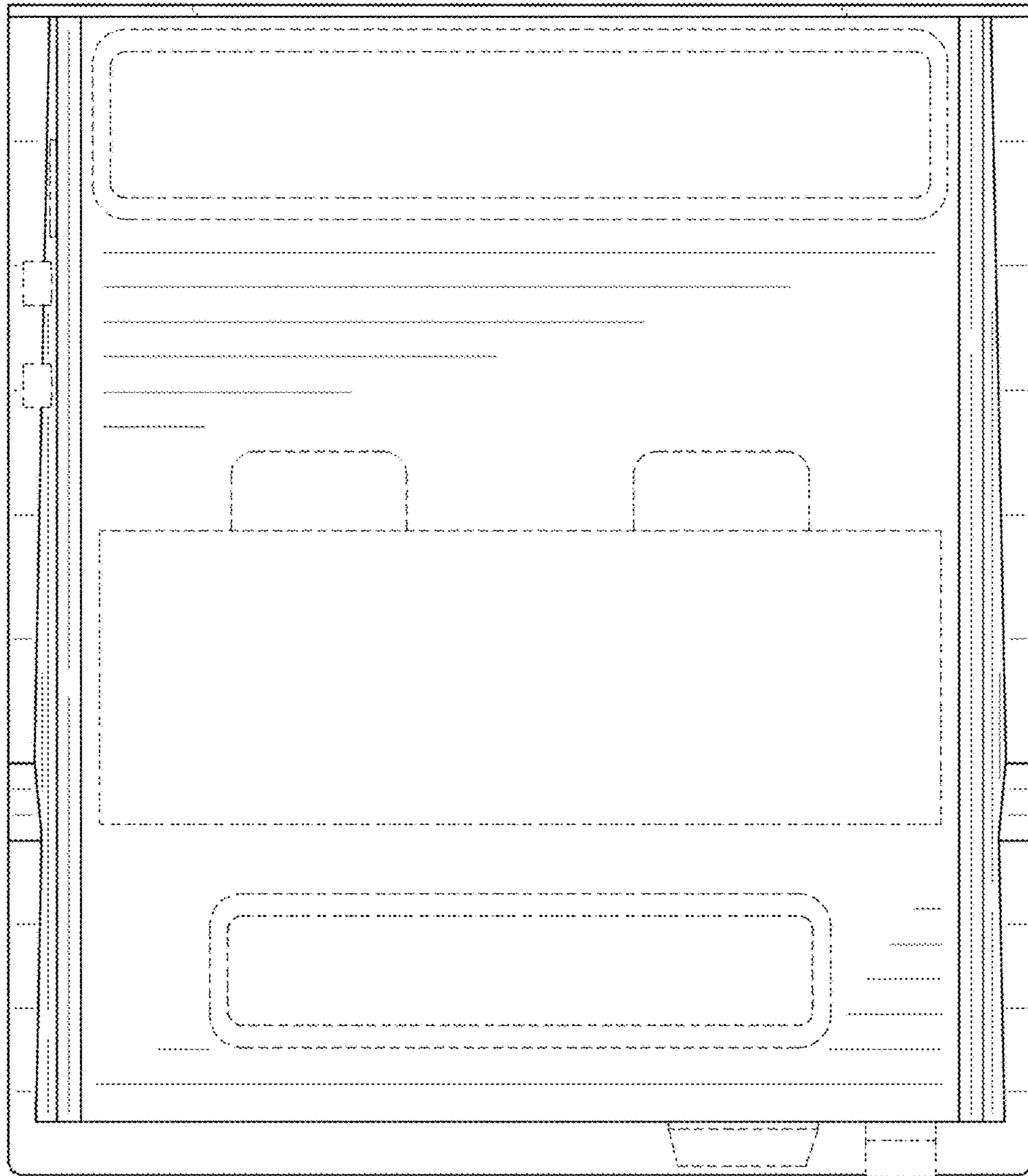


FIG. 7