



US00D837873S

(12) **United States Design Patent** (10) **Patent No.:** **US D837,873 S**
Lussier et al. (45) **Date of Patent:** **** Jan. 8, 2019**

(54) **GOGGLES**

(71) Applicant: **Revision Military S.a.r.L.**,
Luxembourg (LU)
(72) Inventors: **Pierre-Luc Lussier**, Longueuil (CA);
Zachary White, South Burlington, VT
(US)
(73) Assignee: **Revision Military S.a.r.L.**,
Luxembourg (LU)

D358,159 S 5/1995 Lai
6,665,885 B2 12/2003 Masumoto
D510,378 S * 10/2005 Dondero D16/312
D536,018 S * 1/2007 Saderholm D16/311
D537,100 S * 2/2007 Moritz D16/312
D538,834 S * 3/2007 Mangum D16/312
D595,331 S * 6/2009 Mentasti D16/312
D598,040 S 8/2009 Sheldon et al.
D610,602 S * 2/2010 Yun D16/312

(Continued)

(**) Term: **15 Years**
(21) Appl. No.: **29/610,349**
(22) Filed: **Jul. 11, 2017**

Related U.S. Application Data

(63) Continuation of application No. 29/551,037, filed on
Jan. 8, 2016, now Pat. No. Des. 795,333.
(51) **LOC (11) Cl.** **16-06**
(52) **U.S. Cl.**
USPC **D16/330**
(58) **Field of Classification Search**
USPC D16/101, 300-342, 900; D29/109-110;
D21/483, 659-661; D14/372; 351/41,
351/44, 45-48, 51-52, 62, 158, 92,
351/103-123, 140-153, 63, 59; 2/13, 15,
2/426-432, 447-449, 441, 434-437
CPC G02C 2200/08; G02C 1/06; G02C 5/14;
G02C 11/02; G02C 11/04; G02C 5/16;
G02C 2200/22; G02C 5/146; G02C
5/2254; G02C 5/008; G01C 5/16; A61M
2021/0044; A63B 33/002
See application file for complete search history.

(56) **References Cited**

U.S. PATENT DOCUMENTS

D224,483 S 8/1972 Crestin-Billet
D336,097 S * 6/1993 Wiedner D16/324

OTHER PUBLICATIONS

Snowhawk Cold Weather Goggle System, article dated Oct. 3, 2016,
[online], [site visited Mar. 28, 2018]. Available from Internet:
<URL: [https://www.revisionmilitary.com/en/snowhawk-press-
release](https://www.revisionmilitary.com/en/snowhawk-press-release)> (Year: 2016).*

(Continued)

Primary Examiner — Michelle E. Wilson
Assistant Examiner — Sanjeev Paul
(74) *Attorney, Agent, or Firm* — Wolf, Greenfield &
Sacks, P.C.

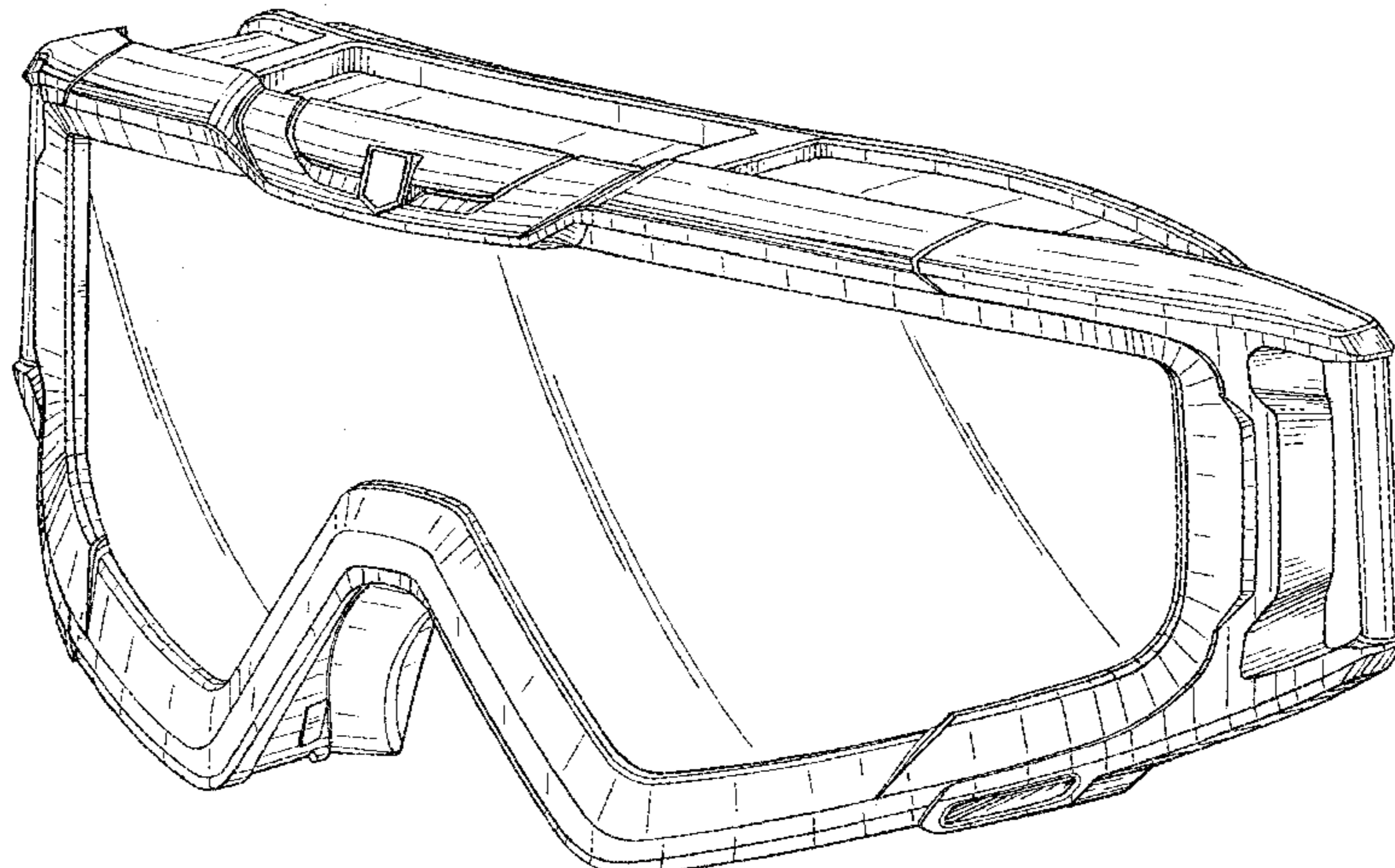
(57) **CLAIM**

The ornamental design for goggles, as shown and described.

DESCRIPTION

FIG. 1 is a top, front, right side perspective view of goggles
showing our new design;
FIG. 2 is a front elevation view thereof;
FIG. 3 is a rear elevation view thereof;
FIG. 4 is a left side elevation view thereof;
FIG. 5 is a right side elevation view thereof;
FIG. 6 is a top plan view thereof; and,
FIG. 7 is a bottom plan view thereof.
The broken lines shown in FIG. 7 represent portions of the
goggles that form no part of the claimed design.

1 Claim, 6 Drawing Sheets



(56)

References Cited

U.S. PATENT DOCUMENTS

D616,483 S * 5/2010 Moritz D16/312
 D616,914 S * 6/2010 Moritz D16/312
 D616,915 S * 6/2010 Silveria D16/312
 D620,039 S 7/2010 Cyr
 D620,040 S * 7/2010 Daems D16/313
 D620,969 S * 8/2010 Cyr D16/312
 D629,034 S * 12/2010 McNeal A61F 9/025
 D16/312
 D640,724 S * 6/2011 Goodman D16/312
 D649,178 S * 11/2011 Moritz D16/312
 D659,742 S * 5/2012 Chen D16/312
 D669,113 S * 10/2012 Sandor D16/309
 D678,932 S * 3/2013 Moritz D16/312
 D687,479 S * 8/2013 Moritz D16/312
 D688,296 S * 8/2013 Pearson D16/312
 D694,806 S * 12/2013 Mage D16/312
 D695,335 S * 12/2013 Goodman D16/312
 D704,248 S * 5/2014 DiChiara D16/309
 D723,094 S * 2/2015 Chen D16/312
 D727,398 S * 4/2015 Blanchard D16/312
 D735,795 S * 8/2015 McGinn D16/320
 D736,303 S * 8/2015 Yu D16/309
 D747,758 S * 1/2016 Lee D16/312
 D756,445 S * 5/2016 Blanchard D16/312
 D760,831 S * 7/2016 Emilo D16/312
 D761,344 S * 7/2016 Chen D16/312
 D765,758 S * 9/2016 Li D16/312

D765,759 S * 9/2016 Li D16/312
 D774,123 S * 12/2016 Chae D16/313
 D774,588 S * 12/2016 Li D16/312
 D777,826 S * 1/2017 Shin D16/312
 D795,333 S 8/2017 Lussier et al.
 2007/0033716 A1* 2/2007 Dondero A61F 9/029
 2/426
 2009/0151057 A1* 6/2009 Lebel A61F 9/029
 2/452
 2009/0313746 A1* 12/2009 Wang A61F 9/025
 2/431
 2011/0083256 A1* 4/2011 Wang-Lee A61F 9/025
 2/434
 2012/0240315 A1* 9/2012 Chen A61F 9/025
 2/431
 2014/0059747 A1* 3/2014 Belbey A61F 9/028
 2/431
 2014/0208488 A1* 7/2014 Pengfei A61F 9/029
 2/431
 2015/0320600 A1* 11/2015 Blanchard A61F 9/025
 2/431

OTHER PUBLICATIONS

[No Author Listed], Revision Military. Snowhawk Cold Weather Goggle System, [site visited Mar. 28, 2017]. <URL:https://www.revisionmilitary.com/product/snowhawk-extreme-cold-weather-goggle-system/>.

* cited by examiner

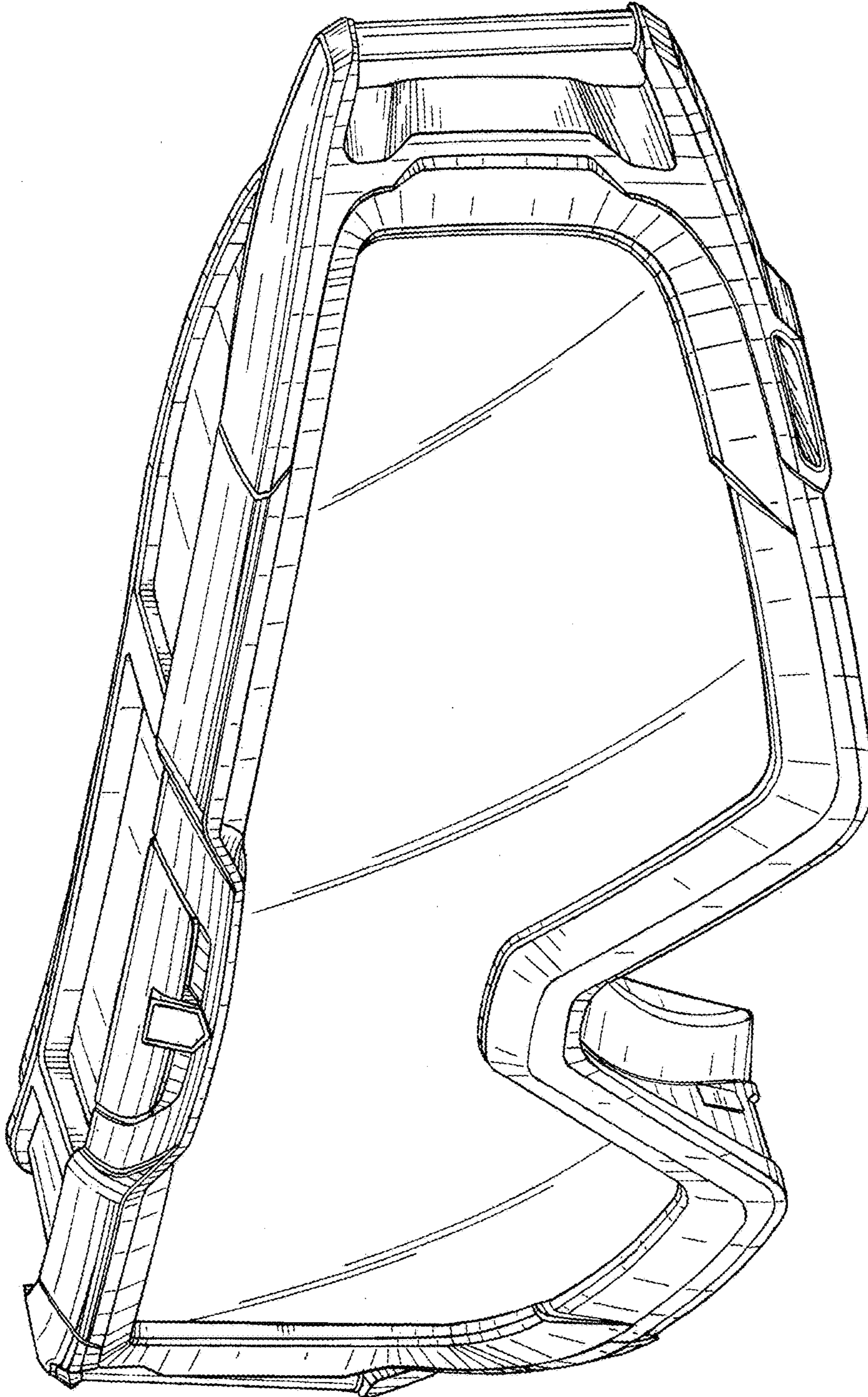


Fig. 1

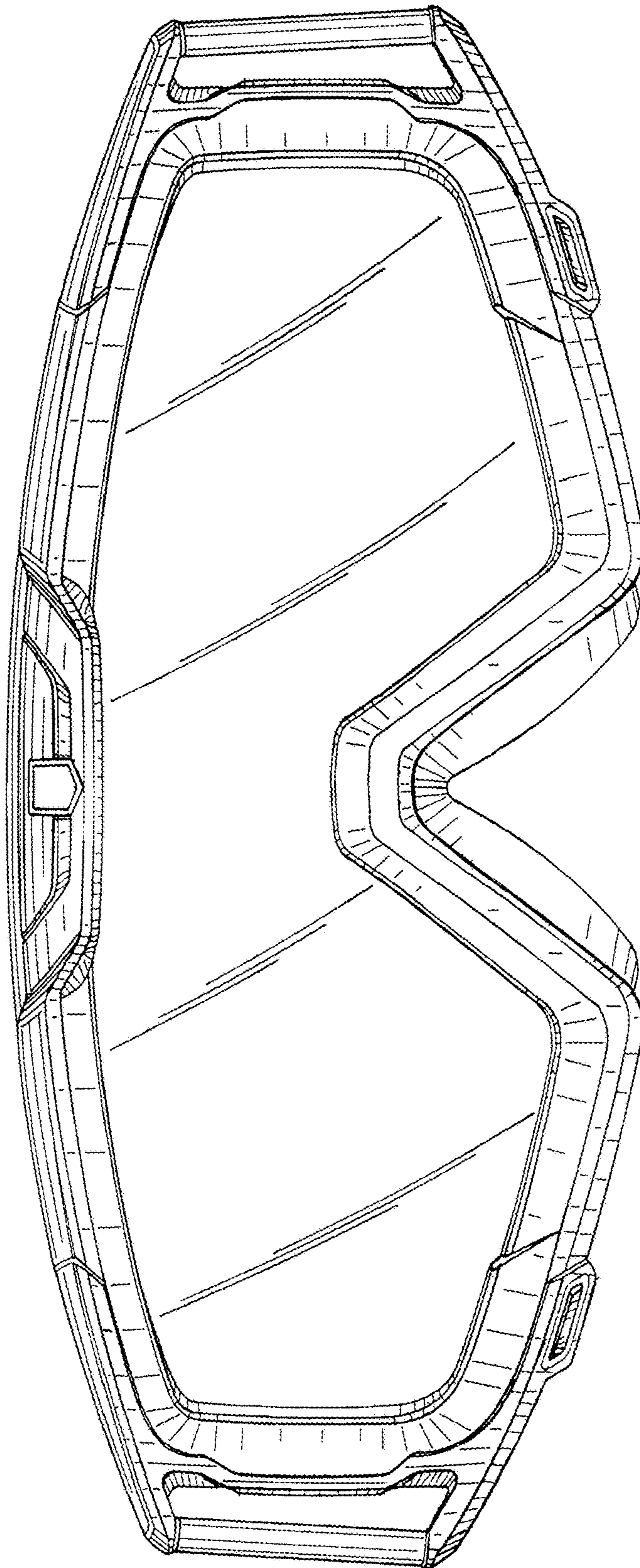


Fig. 2

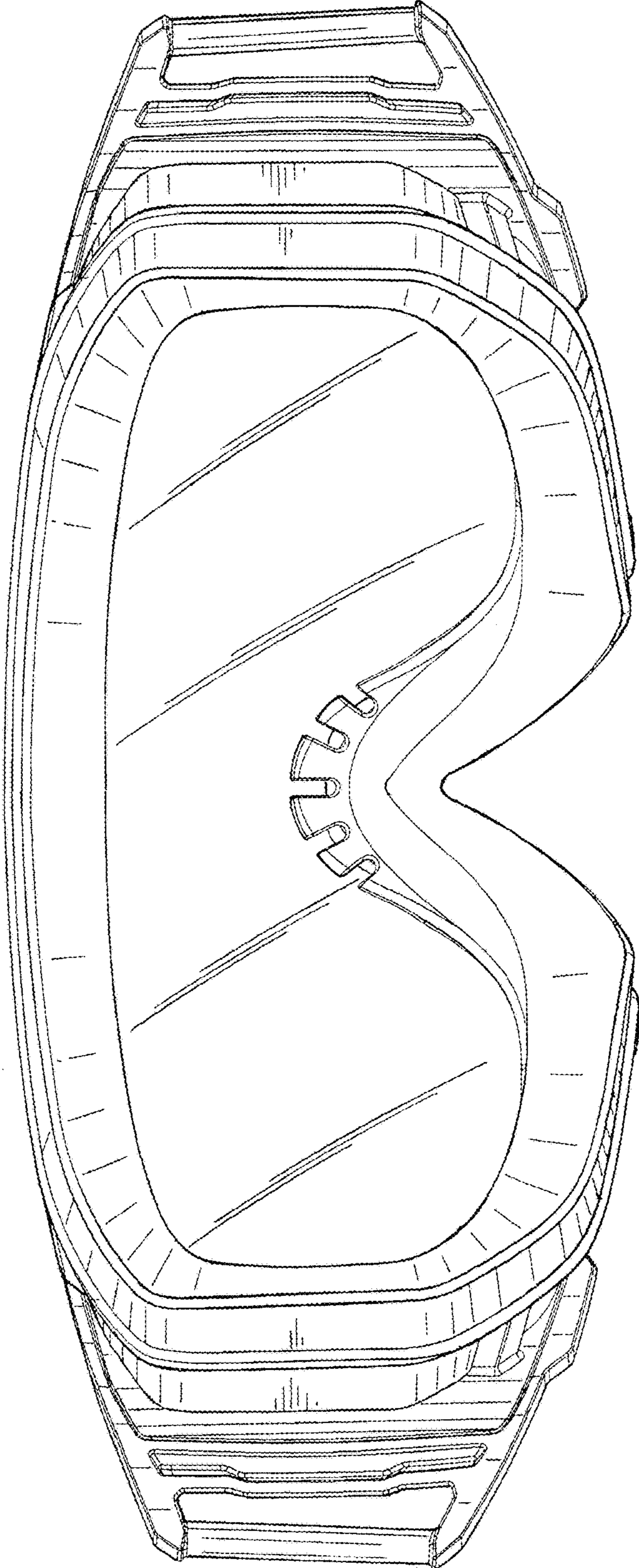


Fig. 3

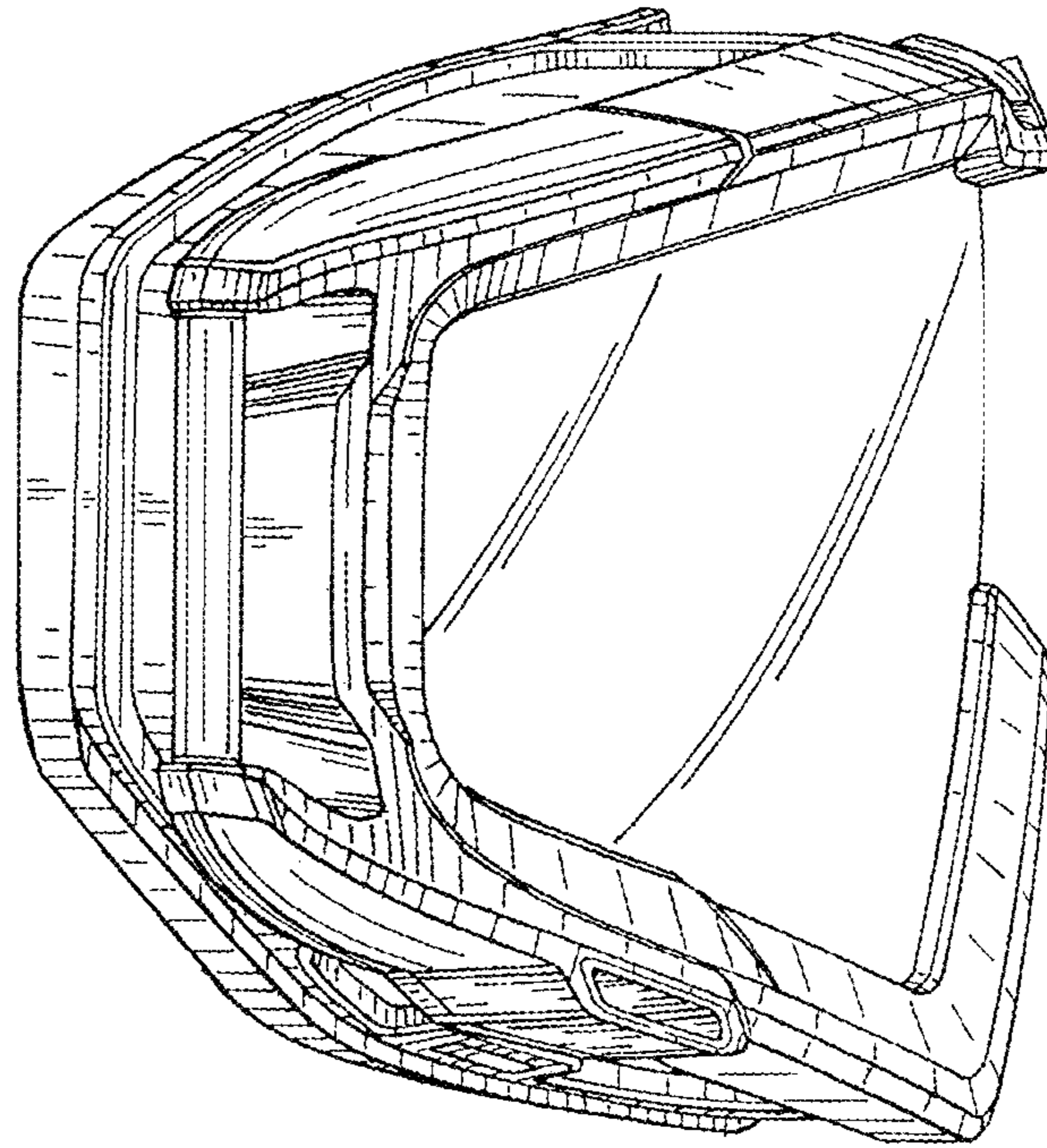


Fig. 4

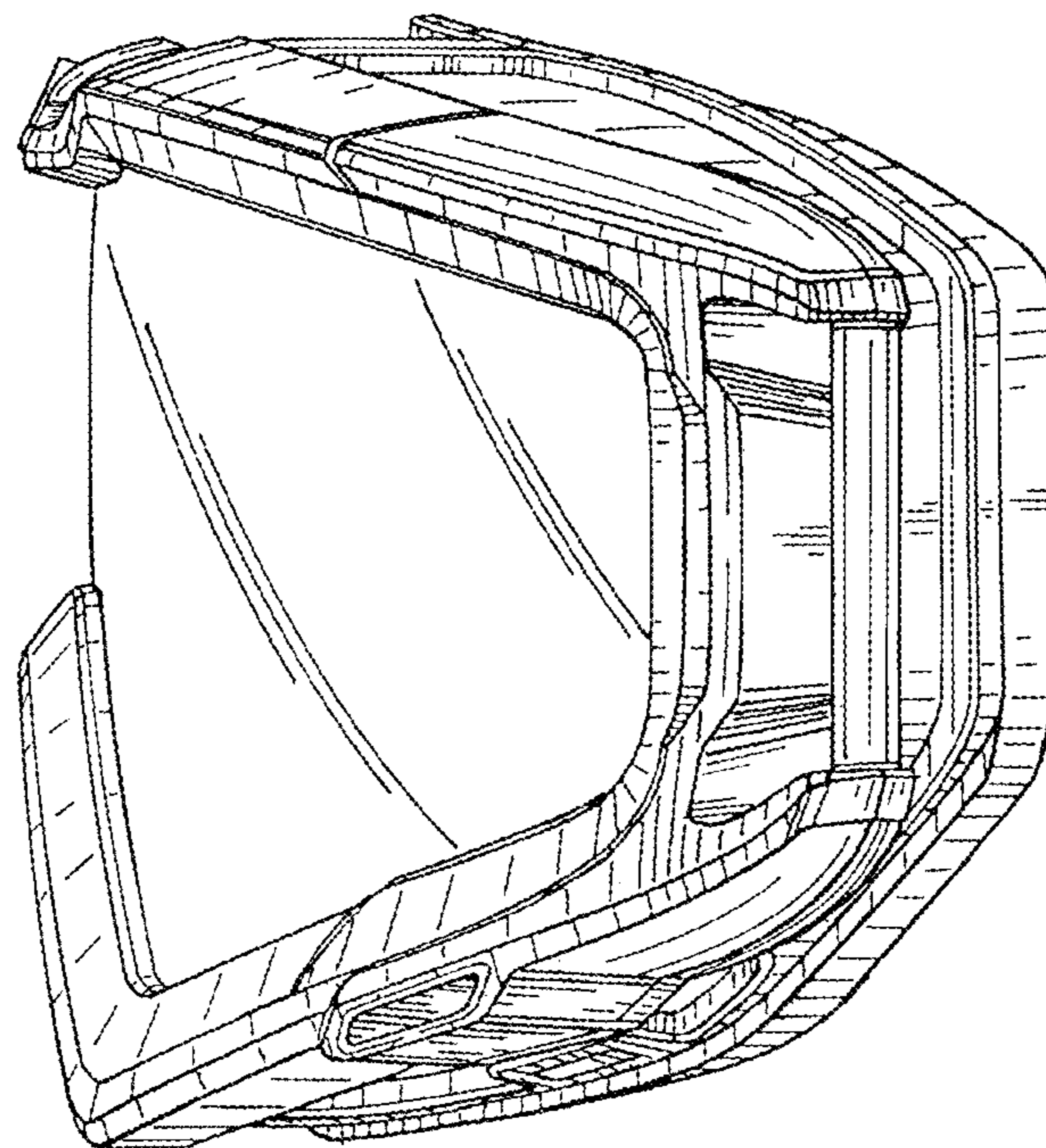


Fig. 5

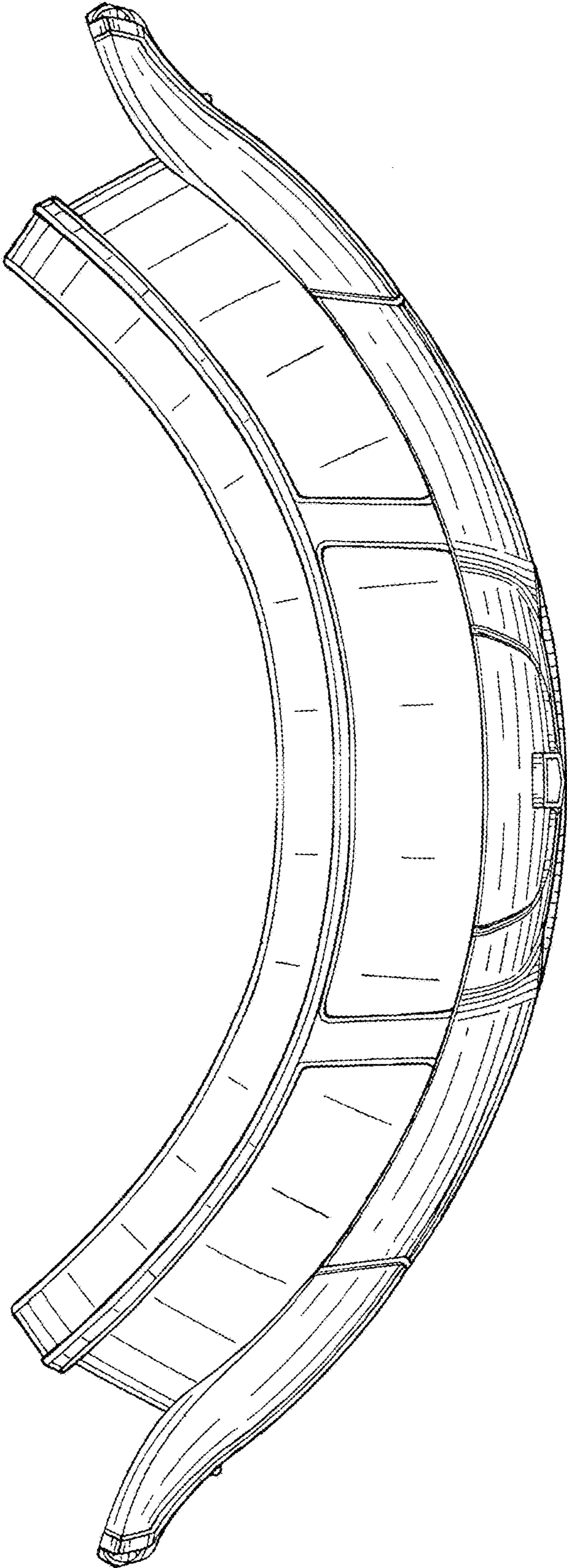


Fig. 6

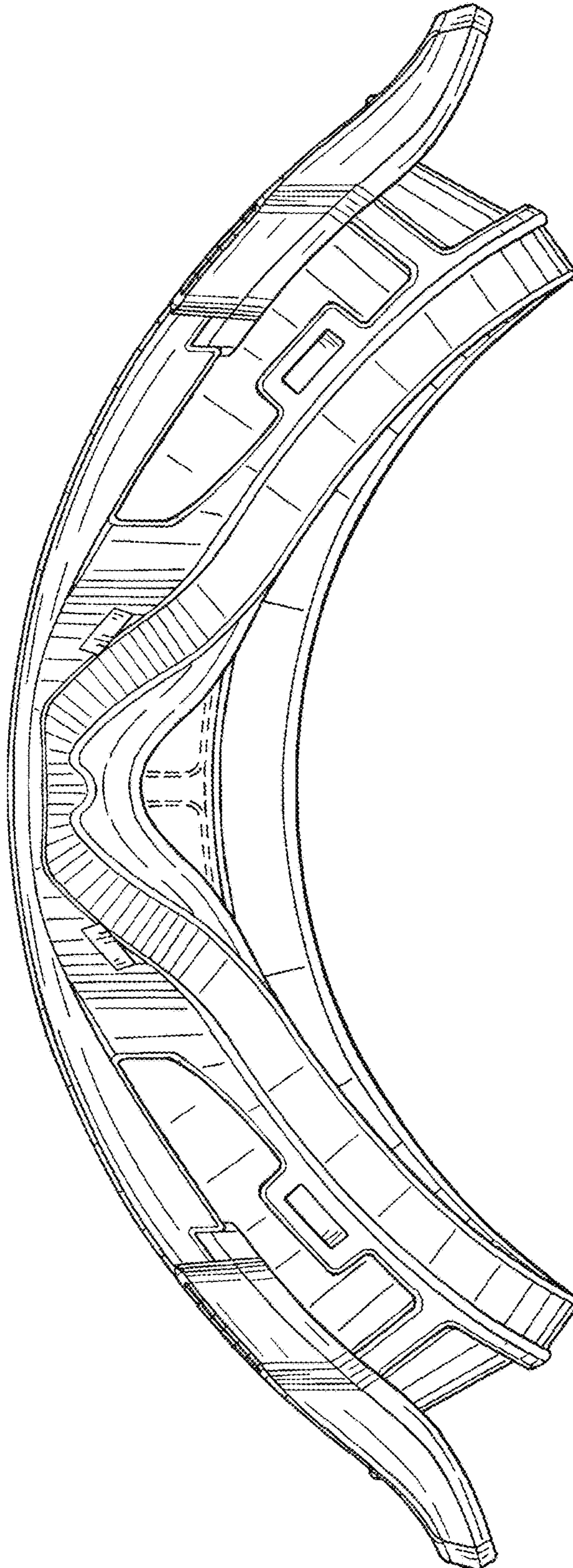


Fig. 7