



US00D837871S

(12) **United States Design Patent**
Canales et al.

(10) **Patent No.:** **US D837,871 S**

(45) **Date of Patent:** **** Jan. 8, 2019**

(54) **SPORT EYEGLASSES**

(71) Applicant: **ROKA Sports, Inc.**, Austin, TX (US)

(72) Inventors: **Robert Allen Canales**, Austin, TX (US); **Kurt Robert Spenser**, Burbank, CA (US); **Tobin Rohrbach**, Trabuco Canyon, CA (US); **James Donald Oman**, Austin, TX (US); **David S. Ginther**, Ladera Ranch, CA (US); **John Brandon Currie**, Orange, CA (US); **Steven Oldham**, Corona, CA (US); **Eric Baptiste Suburu**, Tustin, CA (US); **Mark Niiro**, Dallas, TX (US); **Jonathan McCann**, Mansfield, TX (US); **Mark Stephens**, Austin, TX (US)

(73) Assignee: **ROKA SPORTS, INC.**, Austin, TX (US)

(**) Term: **15 Years**

(21) Appl. No.: **29/616,066**

(22) Filed: **Sep. 1, 2017**

(51) **LOC (11) Cl.** **16-06**

(52) **U.S. Cl.**
USPC **D16/314**; D16/319; D16/324

(58) **Field of Classification Search**
USPC D16/100-101, 300-342; D29/107, 110
CPC G02C 1/02; G02C 1/04; G02C 5/12
See application file for complete search history.

(56) **References Cited**

U.S. PATENT DOCUMENTS

4,732,464 A 3/1988 Bononi
4,802,754 A 2/1989 Neef
4,924,245 A 5/1990 Dianitsch
4,964,716 A 10/1990 Combs
D330,035 S * 10/1992 Jannard D16/314

D330,903 S * 11/1992 Jannard D16/314
D342,959 S * 1/1994 Jannard D16/313
D344,742 S * 3/1994 Jannard D16/314
D350,759 S 9/1994 Lanna et al.
5,457,506 A 10/1995 Winkler
D366,056 S 1/1996 Wolfe
5,646,707 A 7/1997 Arnette
D385,897 S 11/1997 Lin

(Continued)

FOREIGN PATENT DOCUMENTS

DE 3707297 A1 9/1988
DE 4019085 A1 5/1991

(Continued)

OTHER PUBLICATIONS

Co-pending U.S. Appl. No. 29/643,339, filed Apr. 6, 2018.

(Continued)

Primary Examiner — Cathron C Brooks

Assistant Examiner — Sharon S Oum

(74) *Attorney, Agent, or Firm* — Wilson Sonsini Goodrich & Rosati

(57) **CLAIM**

The ornamental design for sport eyeglasses, as shown and described.

DESCRIPTION

FIG. 1 is a perspective view of sport eyeglasses, showing our new design;

FIG. 2 is a top plan view of the sport eyeglasses;

FIG. 3 is a front elevation view of the sport eyeglasses;

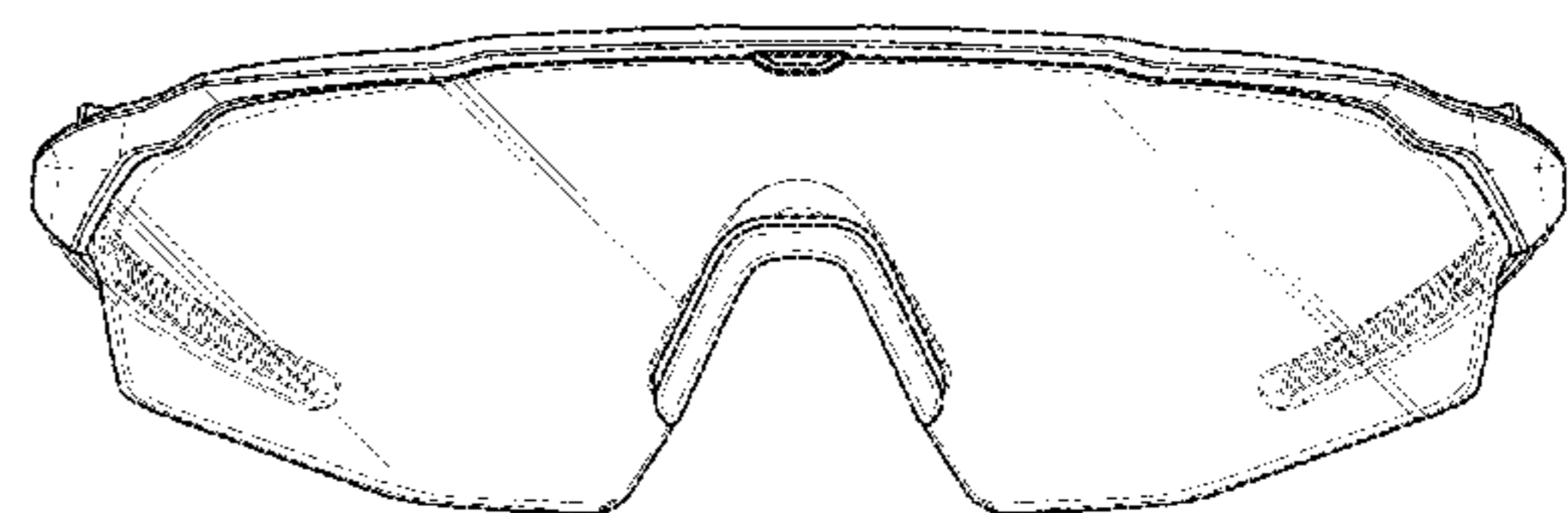
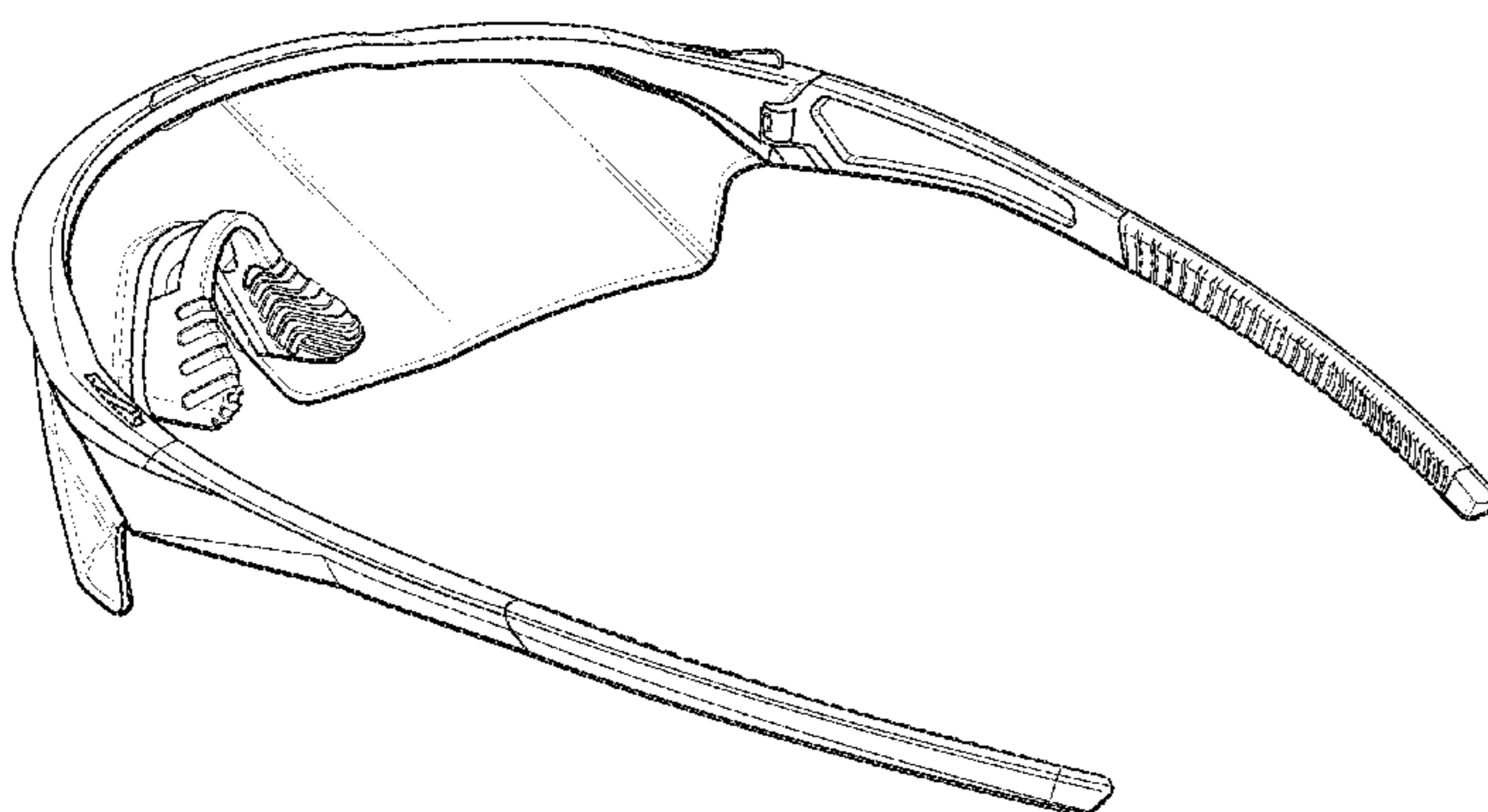
FIG. 4 is a right side elevation view of the sport eyeglasses;

FIG. 5 is a left side elevation view of the sport eyeglasses;

FIG. 6 is a rear elevation view of the sport eyeglasses; and,

FIG. 7 is a bottom plan view of the sport eyeglasses.

1 Claim, 5 Drawing Sheets



(56)

References Cited

U.S. PATENT DOCUMENTS

D386,777 S 11/1997 Hall et al.
 D399,519 S * 10/1998 Yee D16/314
 D416,276 S * 11/1999 Chiu D16/314
 6,056,399 A 5/2000 Jannard et al.
 6,059,408 A 5/2000 Bonacci
 6,283,594 B1 9/2001 Hamano
 D462,081 S 8/2002 Wolfe
 6,513,925 B1 2/2003 Bonacci
 6,554,422 B2 4/2003 Bell et al.
 D475,733 S 6/2003 Lee
 6,644,806 B2 11/2003 Wu
 D485,856 S * 1/2004 Wolfe D16/314
 D502,494 S 3/2005 Yang
 6,929,364 B1 8/2005 Jannard
 D516,111 S 2/2006 Teng
 D518,083 S 3/2006 Teng
 D518,084 S 3/2006 Teng
 D540,368 S * 4/2007 Yang D16/315
 D549,763 S * 8/2007 Daems D16/321
 D550,755 S 9/2007 Fuchs
 D550,758 S 9/2007 Cheng
 D552,663 S 10/2007 Cheng
 D555,707 S 11/2007 Hou
 D555,708 S 11/2007 Cheng
 D559,888 S * 1/2008 Yang D16/315
 7,347,545 B1 * 3/2008 Jannard G02C 1/04
 351/106
 D565,639 S 4/2008 Estrem
 D569,412 S * 5/2008 Jannard D16/314
 D575,325 S 8/2008 Wu
 7,452,068 B2 11/2008 Collier et al.
 D583,852 S * 12/2008 Chen D16/315
 7,484,843 B1 2/2009 Lin
 D591,329 S * 4/2009 Wang D16/309
 D595,757 S * 7/2009 Yang D16/314
 D609,736 S 2/2010 Wang
 D611,980 S 3/2010 Chen
 D614,226 S * 4/2010 Fulton D16/314
 D614,359 S * 4/2010 Gleason D16/314
 D615,578 S * 5/2010 Pulito D16/314
 D617,364 S 6/2010 Chou
 D623,218 S * 9/2010 Wong D16/332
 D625,351 S 10/2010 Wong et al.
 D637,643 S * 5/2011 Lebel D16/314
 D640,314 S 6/2011 Yang
 D641,391 S * 7/2011 Sheldon D16/321
 D651,641 S * 1/2012 Fulton D16/333
 D651,642 S 1/2012 Fuchs
 D652,858 S * 1/2012 Lamontagne D16/315
 D659,180 S * 5/2012 Moritz D16/314
 D659,746 S * 5/2012 Chen D16/314
 8,403,477 B2 3/2013 Ogren

D679,313 S 4/2013 Bachelder
 D683,784 S * 6/2013 Miera D16/314
 D690,762 S 10/2013 Yang
 D694,312 S * 11/2013 Mage D16/314
 D695,336 S 12/2013 Wang
 D727,399 S * 4/2015 Markovitz D16/314
 D730,434 S 5/2015 Chen
 D735,794 S 8/2015 Markovitz et al.
 D740,347 S 10/2015 Corcoran
 D757,156 S 5/2016 Wu
 D765,765 S 9/2016 Clegg
 D770,560 S 11/2016 Shin
 D775,685 S * 1/2017 Rouayroux D16/314
 D777,827 S 1/2017 Chen
 D783,080 S * 4/2017 Garfias D16/314
 D797,183 S 9/2017 Flake et al.
 D809,056 S * 1/2018 Flake D16/330
 2007/0236649 A1 10/2007 Lin
 2008/0074610 A1 3/2008 Tackles
 2008/0170200 A1 7/2008 Chen
 2014/0340628 A1 * 11/2014 Huang G02C 5/006
 351/63
 2015/0314167 A1 11/2015 Shiue
 2017/0100287 A1 * 4/2017 Calilung A61F 9/028
 2018/0008467 A1 * 1/2018 Cater G02C 9/04
 2018/0031862 A1 2/2018 Li

FOREIGN PATENT DOCUMENTS

EP 0239659 B1 1/1992
 FR 2631464 A1 11/1989
 FR 2770309 A1 4/1999
 JP S61126225 U 8/1986
 JP S63122322 U 8/1988
 JP H0192627 U 6/1989
 JP H0329629 U 3/1991
 JP 4944087 B2 5/2012
 WO WO-03062904 A1 7/2003
 WO WO-2012033691 A1 3/2012

OTHER PUBLICATIONS

Co-pending U.S. Appl. No. 29/643,342, filed Apr. 6, 2018.
 Co-pending U.S. Appl. No. 29/562,636, filed Apr. 27, 2016.
 Co-pending U.S. Appl. No. 29/562,638, filed Apr. 27, 2016.
 U.S. Appl. No. 29/562,636 Office Action dated Jun. 30, 2017.
 U.S. Appl. No. 29/562,638 Ex Parte Quayle dated Apr. 6, 2017.
 U.S. Appl. No. 29/562,643 Office Action dated Apr. 20, 2017.
 Co-pending U.S. Appl. No. 29/640,311, filed Mar. 13, 2018.
 Co-pending U.S. Appl. No. 29/640,312, filed Mar. 13, 2018.
 Co-pending U.S. Appl. No. 29/642,302, filed Mar. 28, 2018.
 Co-pending U.S. Appl. No. 16/157,972, filed Oct. 11, 2018.

* cited by examiner

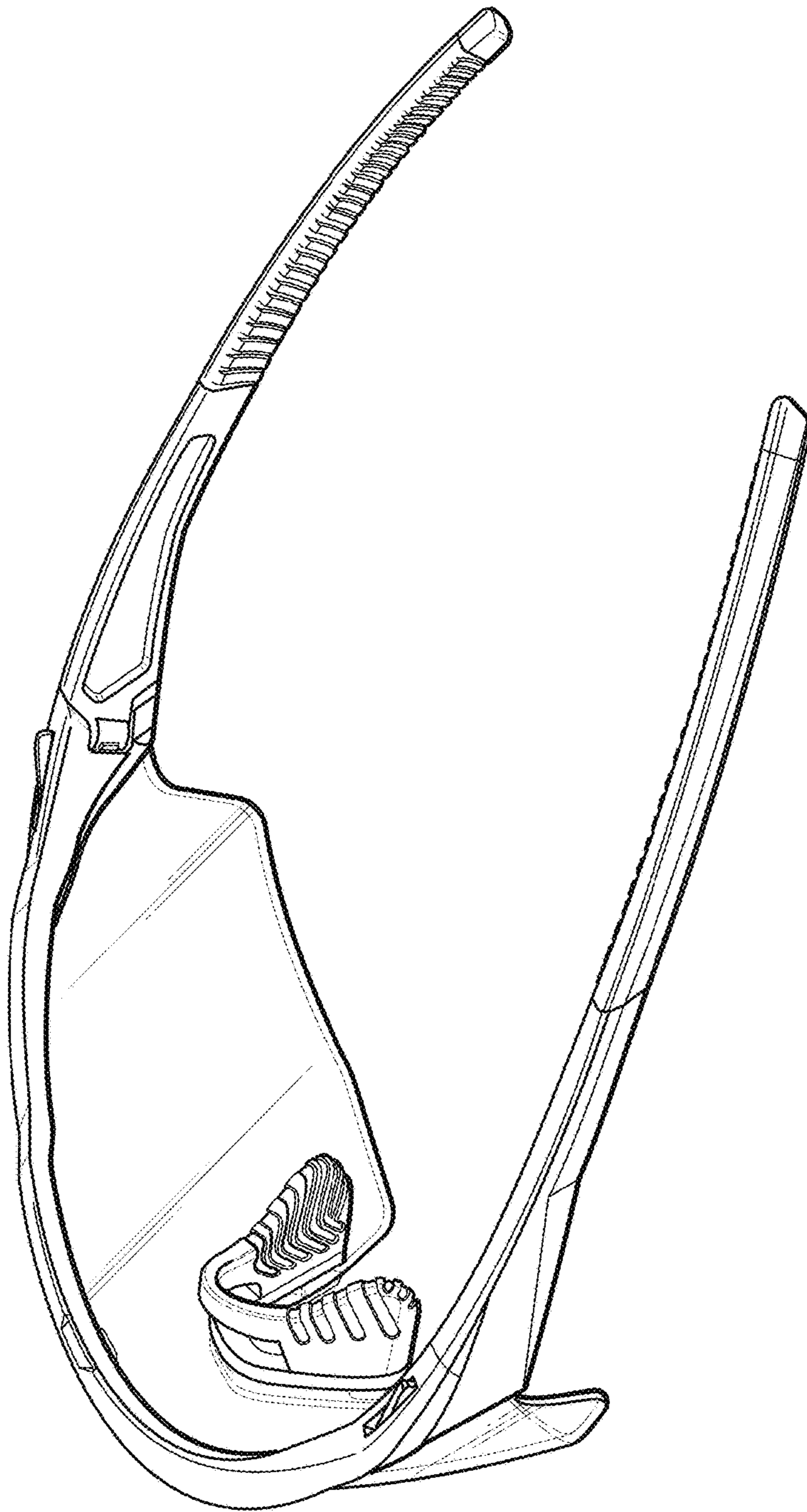


FIG. 1

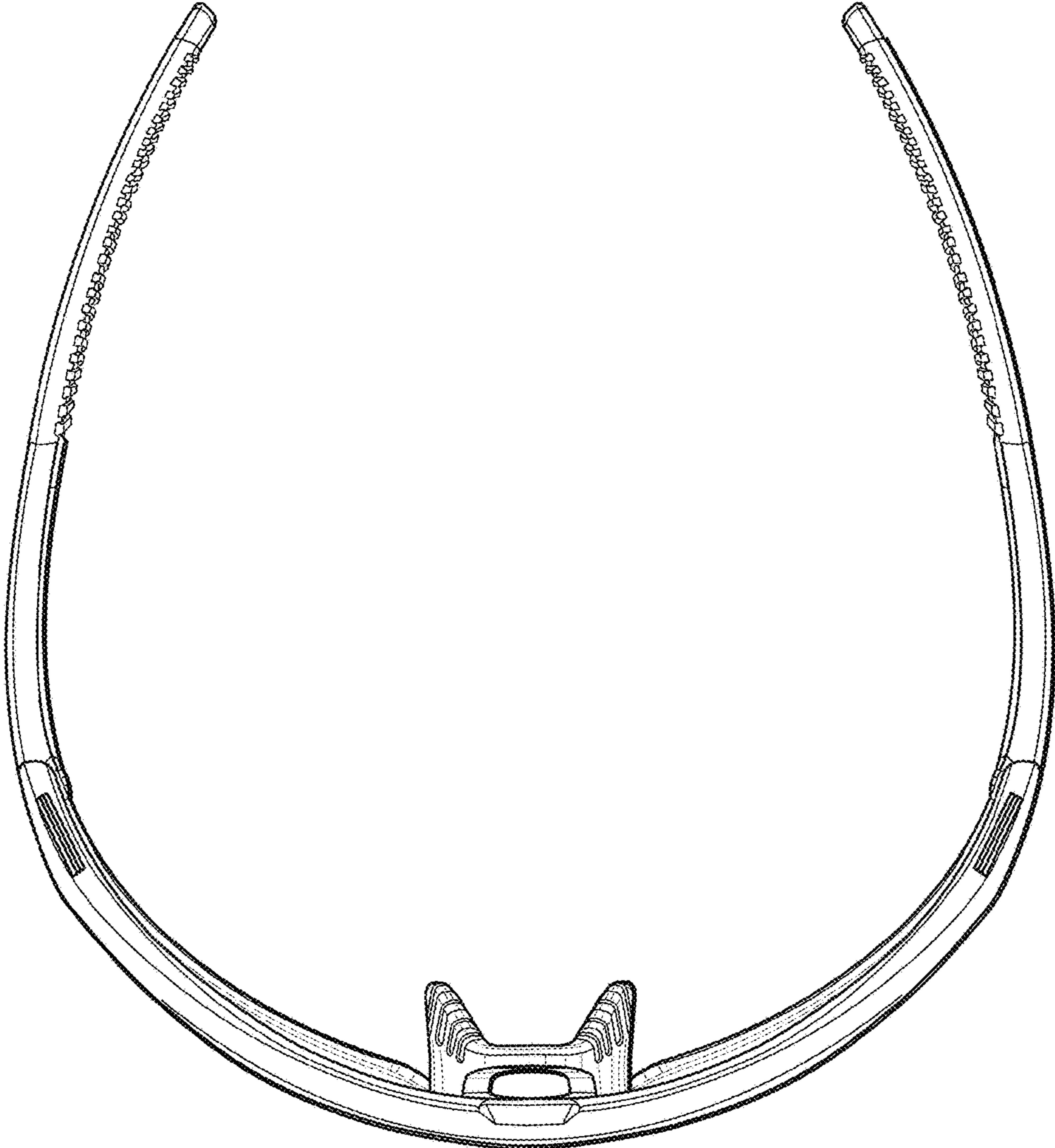


FIG. 2

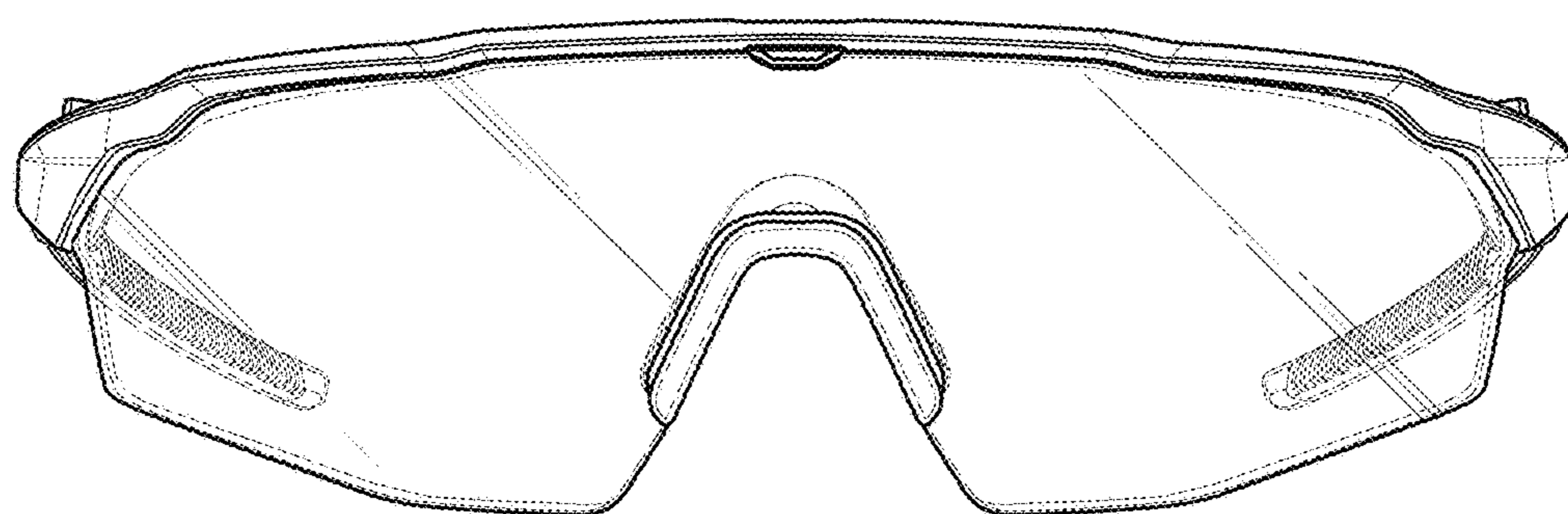


FIG. 3

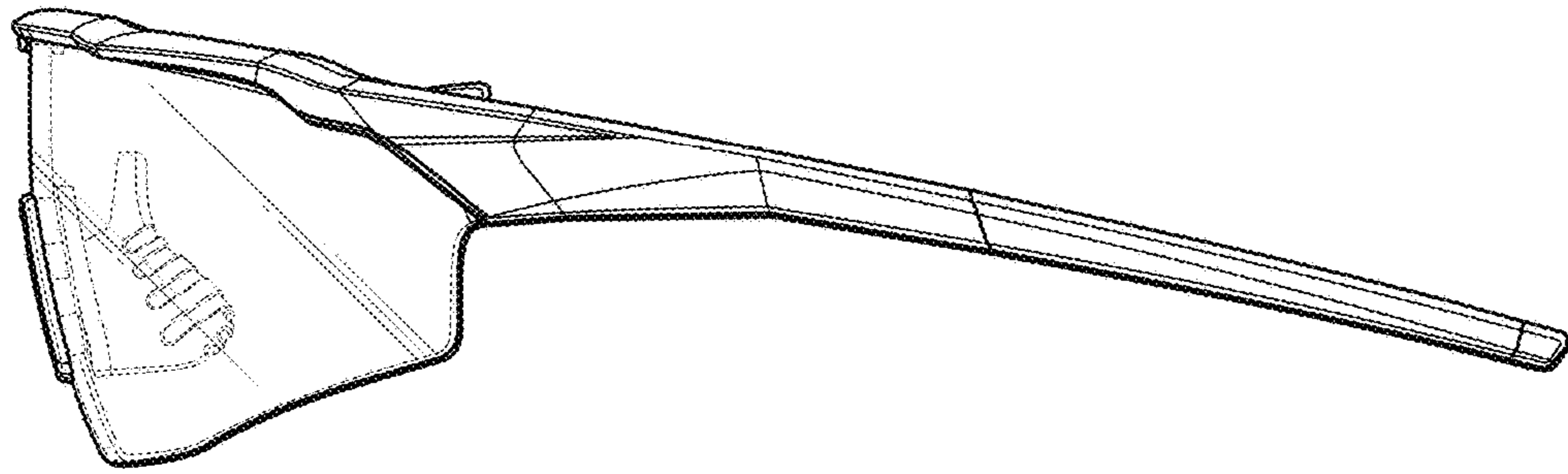


FIG. 4

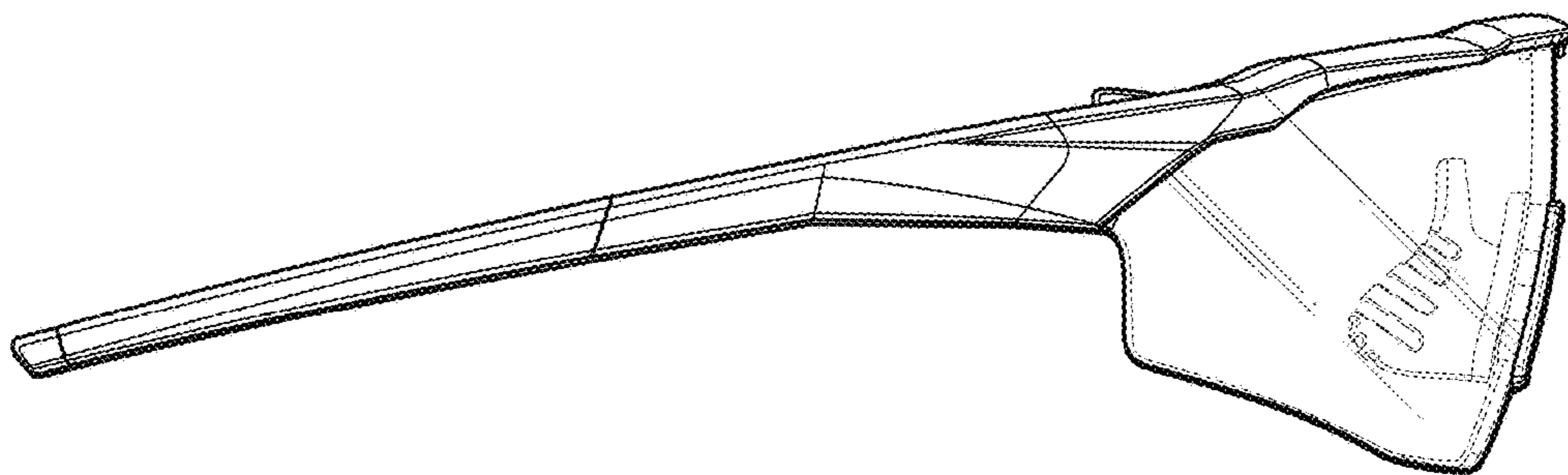


FIG. 5

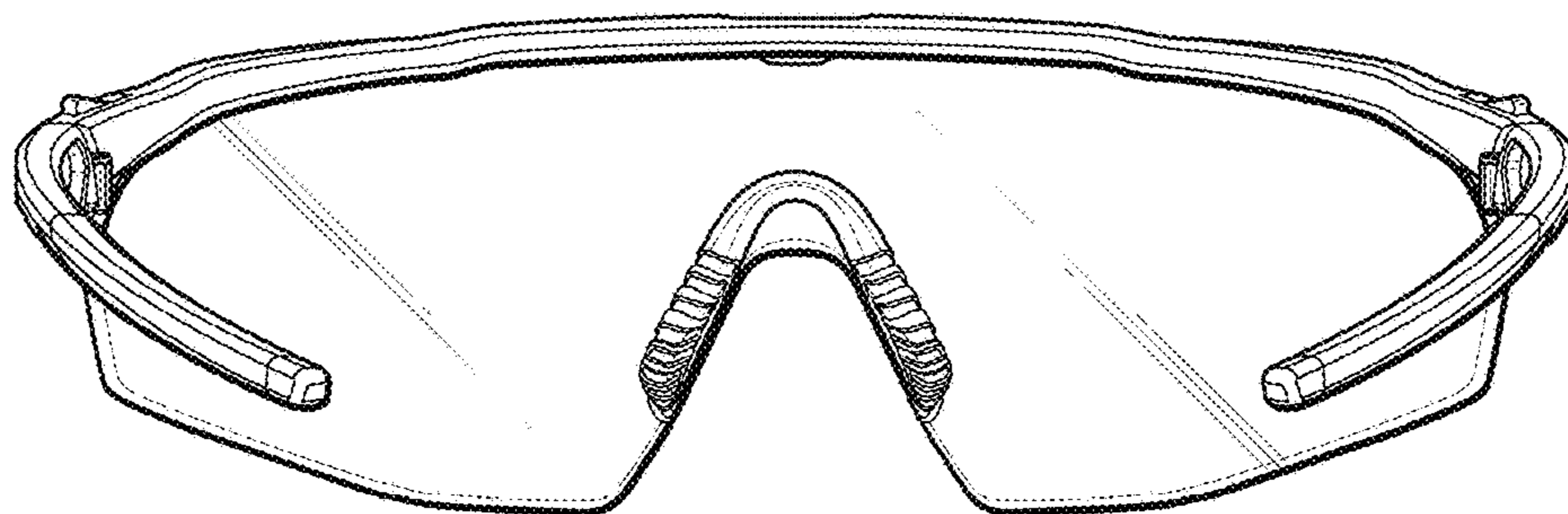


FIG. 6

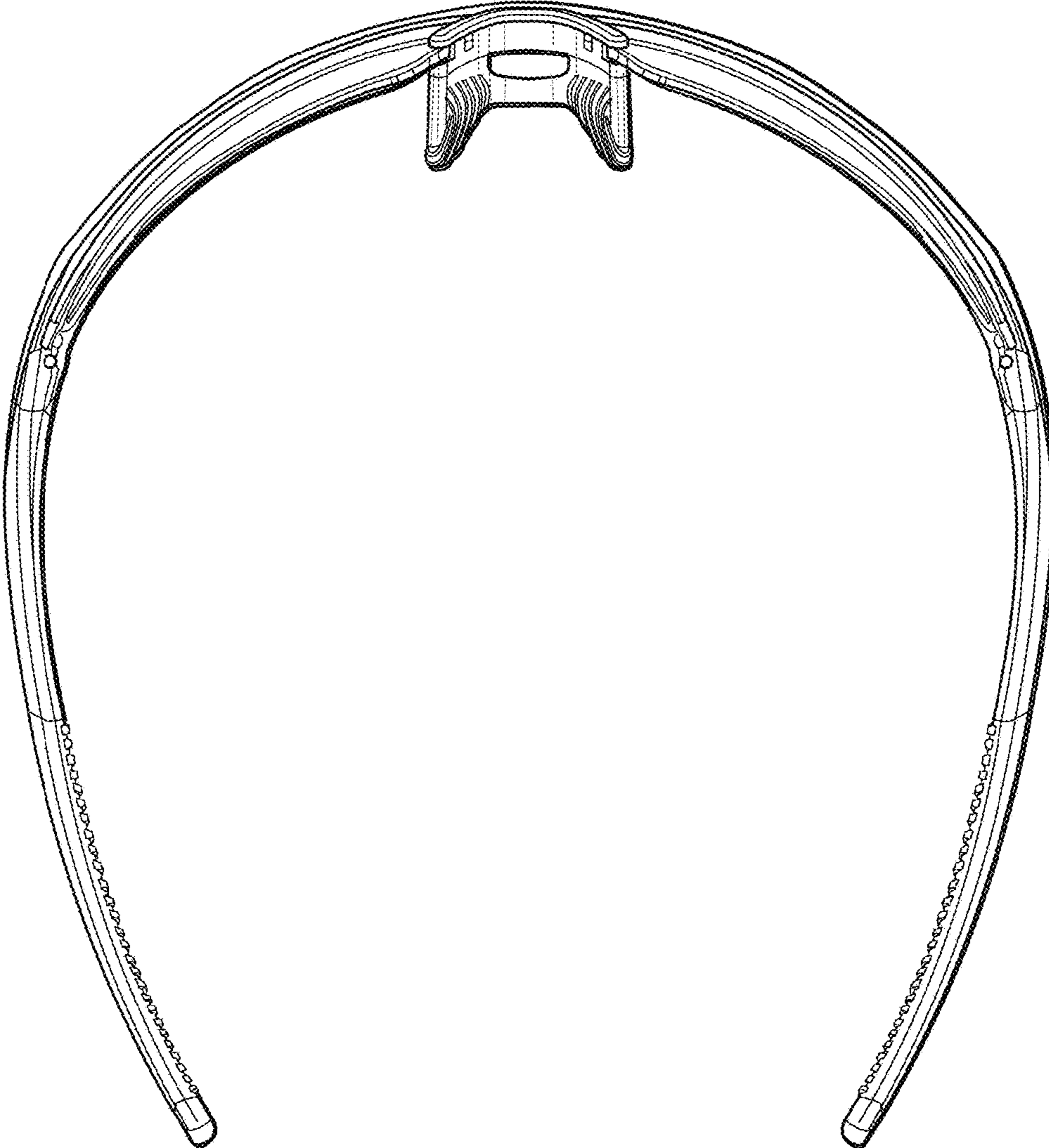


FIG. 7