



US00D837868S

(12) **United States Design Patent**  
**Shan et al.**

(10) **Patent No.:** **US D837,868 S**

(45) **Date of Patent:** **\*\* Jan. 8, 2019**

(54) **SELFIE STICK**

(71) Applicant: **Shenzhen Sen Xiyuan Technology Co., Ltd**, Shenzhen, Guangdong (CN)

(72) Inventors: **Jinghua Shan**, Guangdong (CN);  
**Jianping Wang**, Guangdong (CN)

(73) Assignee: **Shenzhen Sen Xiyuan Technology Co., Ltd**, Shenzhen (CN)

(\*\*) Term: **15 Years**

(21) Appl. No.: **29/624,432**

(22) Filed: **Nov. 1, 2017**

(30) **Foreign Application Priority Data**

Aug. 28, 2017 (CN) ..... 2017 3 0400474

(51) **LOC (11) Cl.** ..... **16-05**

(52) **U.S. Cl.**  
USPC ..... **D16/243**; D14/253

(58) **Field of Classification Search**  
USPC ..... D16/219, 237-250; D14/224, 229, 238,  
D14/251, 253, 447, 451, 457  
CPC ..... G03B 17/56; G03B 17/561-17/568; A45F  
5/00; A45F 5/10  
See application file for complete search history.

(56) **References Cited**

**U.S. PATENT DOCUMENTS**

D715,791 S \* 10/2014 Yu ..... D14/253  
D720,344 S \* 12/2014 Yu ..... D14/253  
D728,655 S \* 5/2015 Daniel ..... D16/203  
D780,825 S \* 3/2017 Kim ..... D10/103  
D782,461 S \* 3/2017 Pinto ..... D14/253

D787,499 S \* 5/2017 Lee ..... D14/253  
9,657,888 B2 \* 5/2017 Chen ..... F16M 11/26  
D791,760 S \* 7/2017 Kim ..... D14/253  
D799,465 S \* 10/2017 Sukphist ..... D14/253  
9,851,046 B2 \* 12/2017 Pan ..... F16M 11/18  
D811,466 S \* 2/2018 Zheng ..... D16/219  
D819,118 S \* 5/2018 Muhlenkamp, IV ..... D16/243  
D822,754 S \* 7/2018 Fang ..... D16/243

**OTHER PUBLICATIONS**

BlitzWolf Extendable Wireless Bluetooth Selfie Sticks Monopod.  
[online] Published Mar. 17, 2016. Retrieved Sep. 25, 2018 from  
URL: <https://www.aliexpress.com/item/BlitzWolf-New-Bluetooth-Selfi-Extendable-Bluetooth-Selfie-Sticks-Monopod-Universal-Selfie-Stick-For-Samsung-For-iPhone/32581882507.html>.\*

\* cited by examiner

*Primary Examiner* — Vy N Koenig

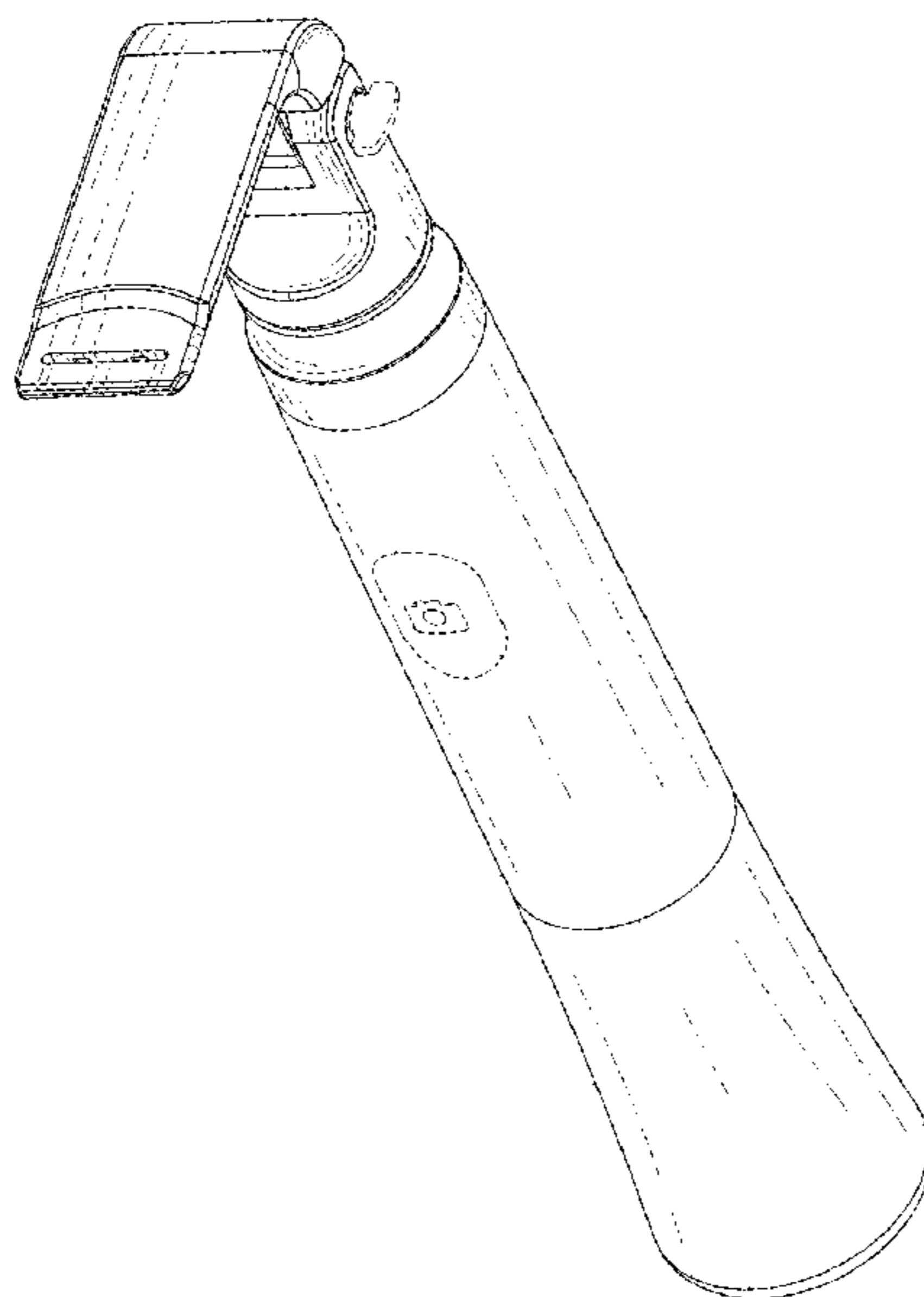
(57) **CLAIM**

The ornamental design for a selfie stick, as shown and described.

**DESCRIPTION**

FIG. 1 is a front elevational view of a selfie stick showing our new design;  
FIG. 2 is a rear elevational view thereof;  
FIG. 3 is a left side view thereof;  
FIG. 4 is a right side view thereof;  
FIG. 5 is a top plan view thereof;  
FIG. 6 is a bottom plan view thereof;  
FIG. 7 is a front, bottom and right perspective view thereof;  
FIG. 8 is a front, top and right perspective view thereof; and,  
FIG. 9 is an enlarged view of portion 9 of FIG. 7.  
The broken lines in the drawings illustrate portions of the selfie stick that form no part of the claimed design.

**1 Claim, 9 Drawing Sheets**



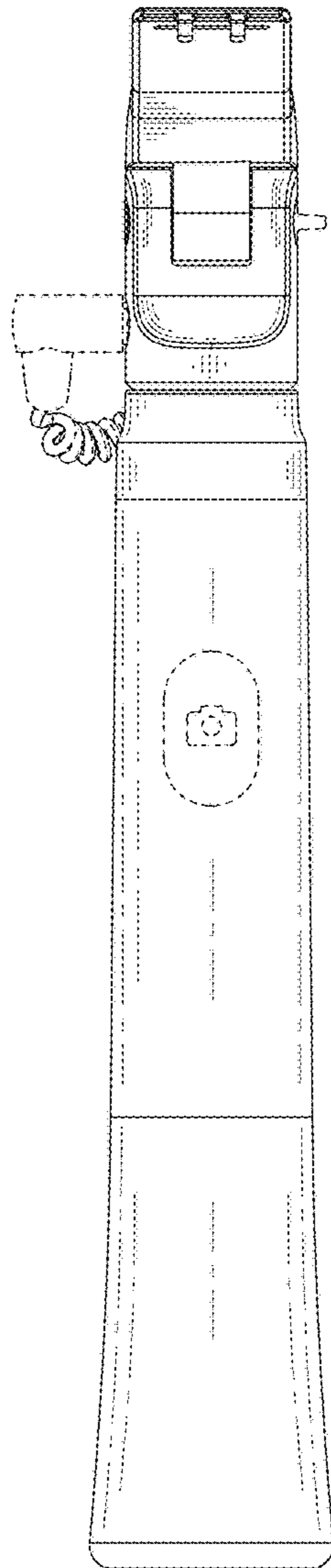


Fig. 1

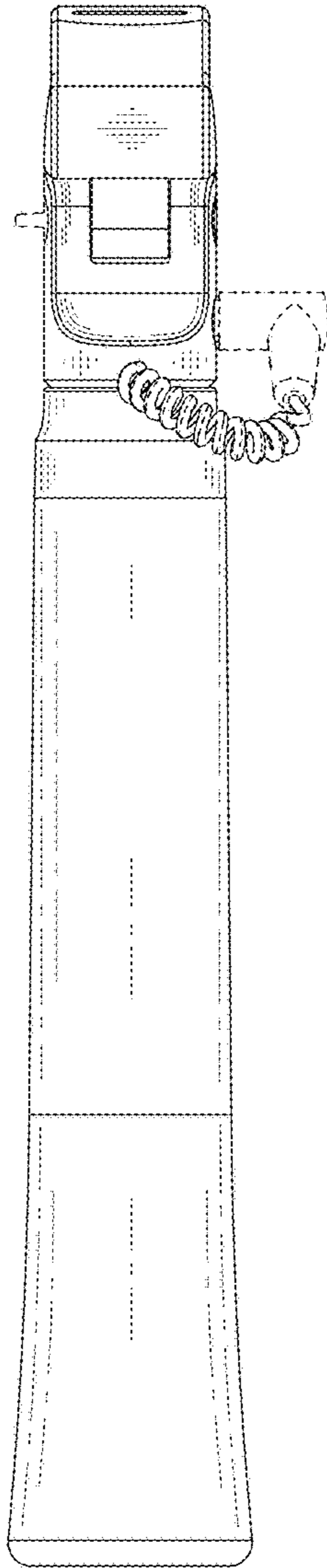


Fig. 2

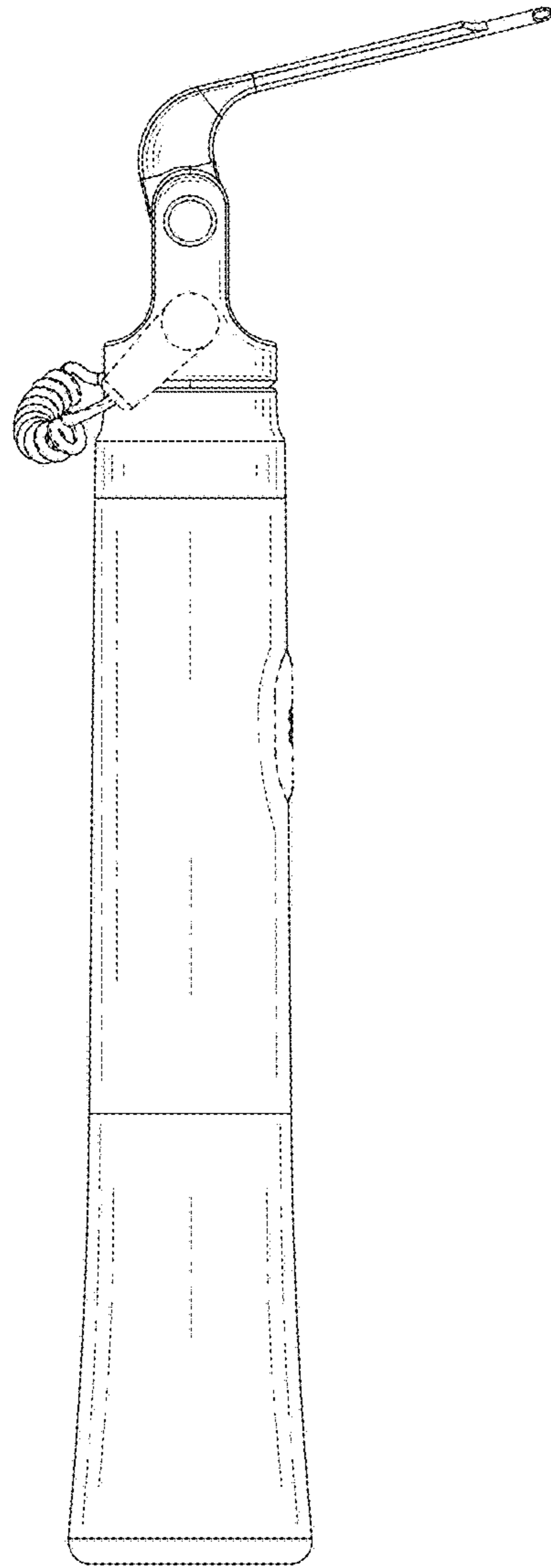


Fig. 3

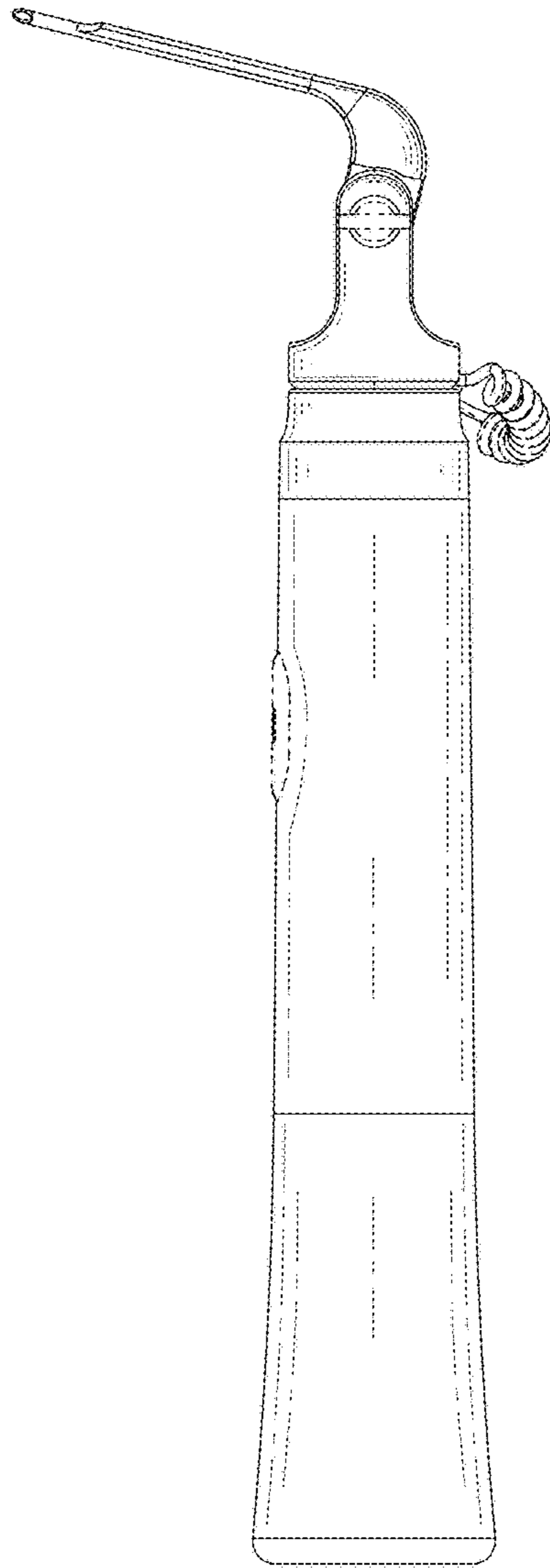


Fig. 4

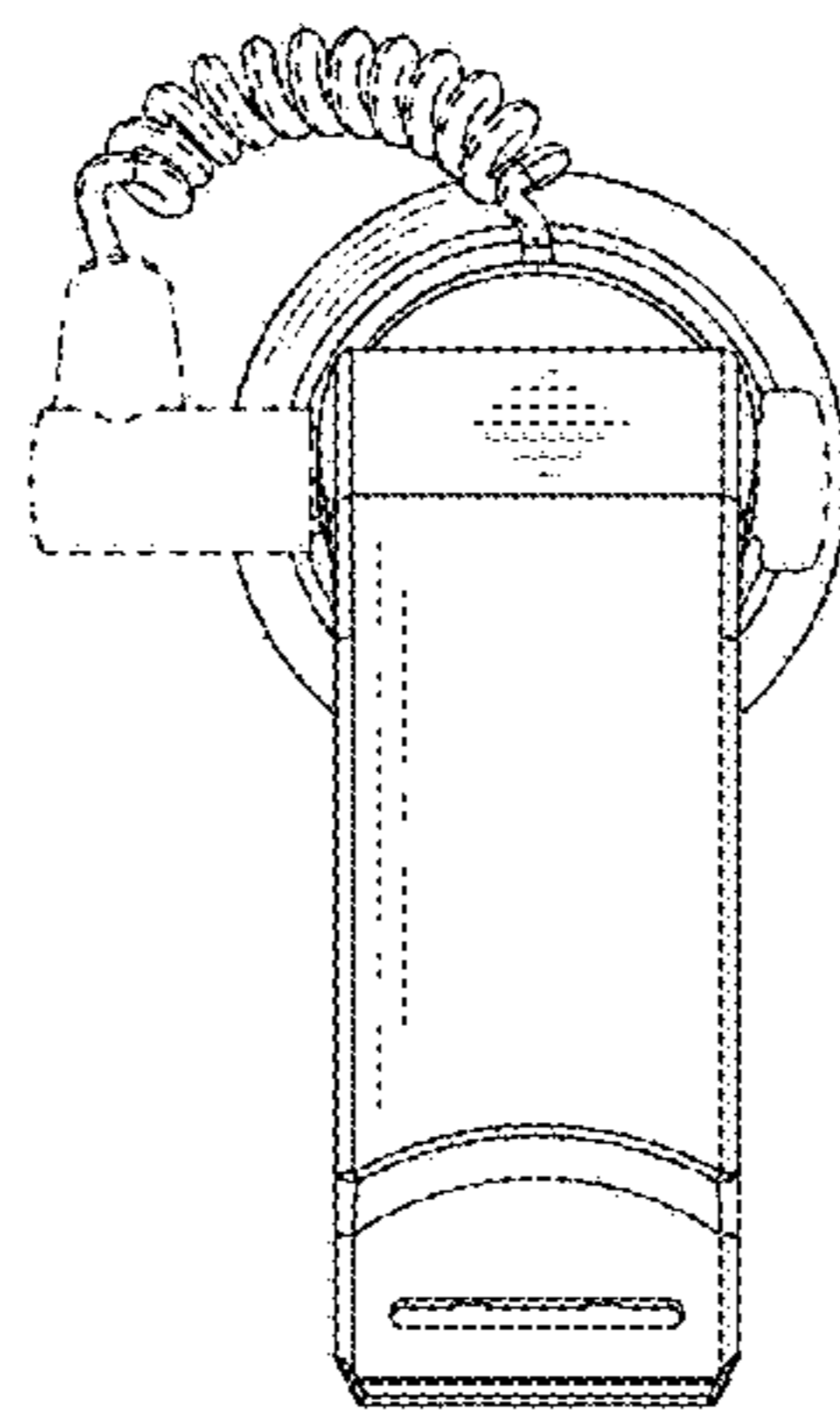


Fig. 5

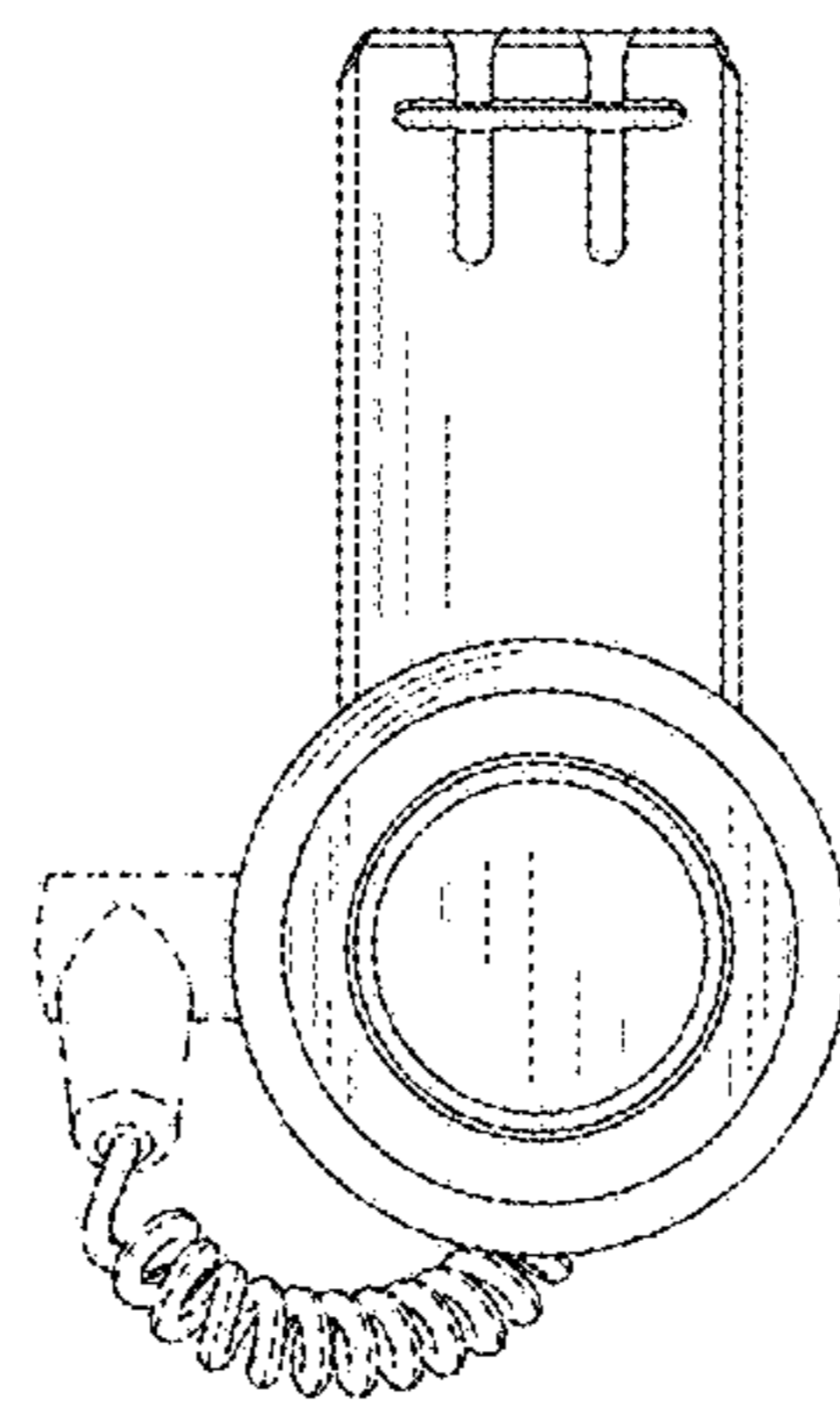


Fig. 6

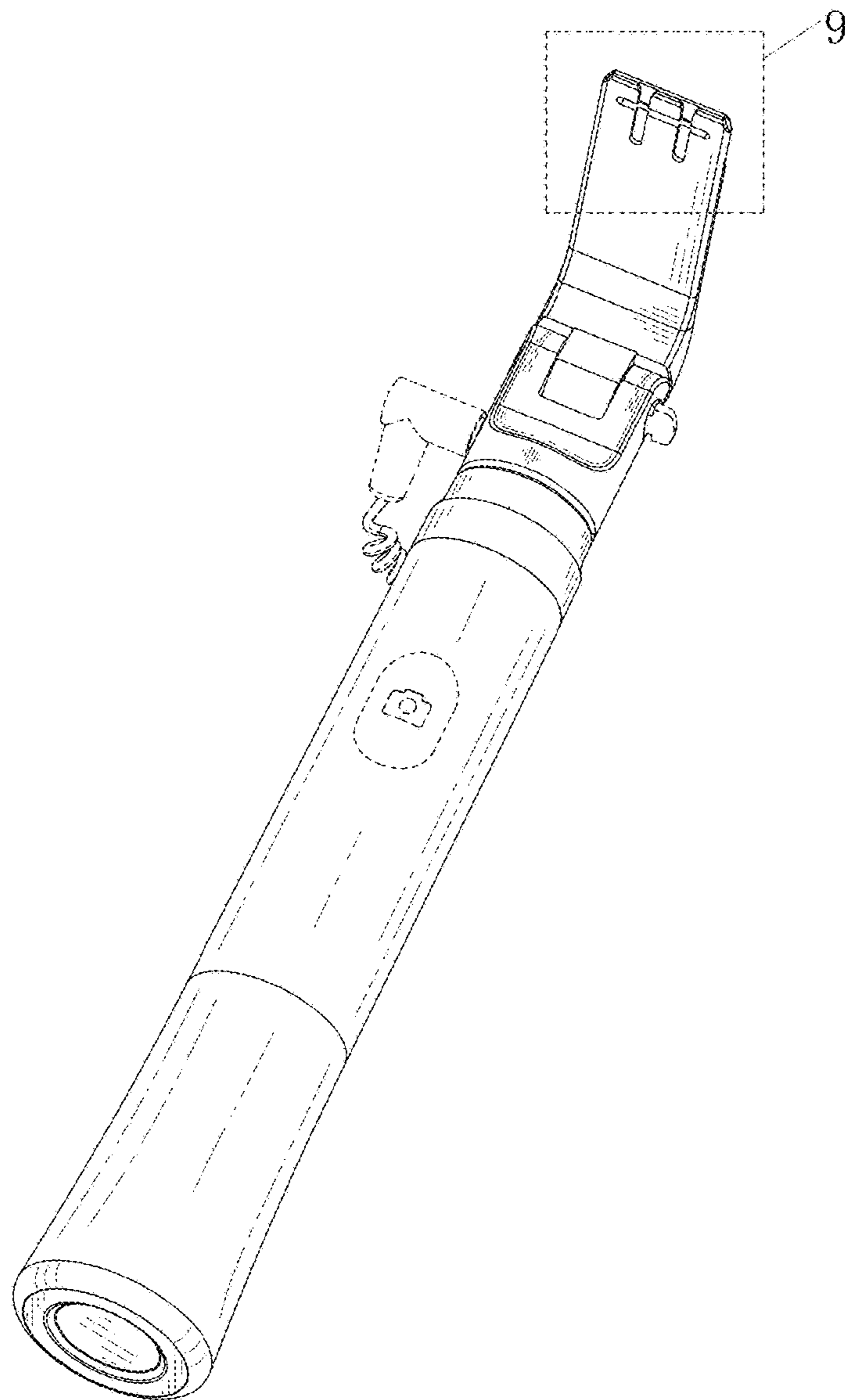


Fig. 7



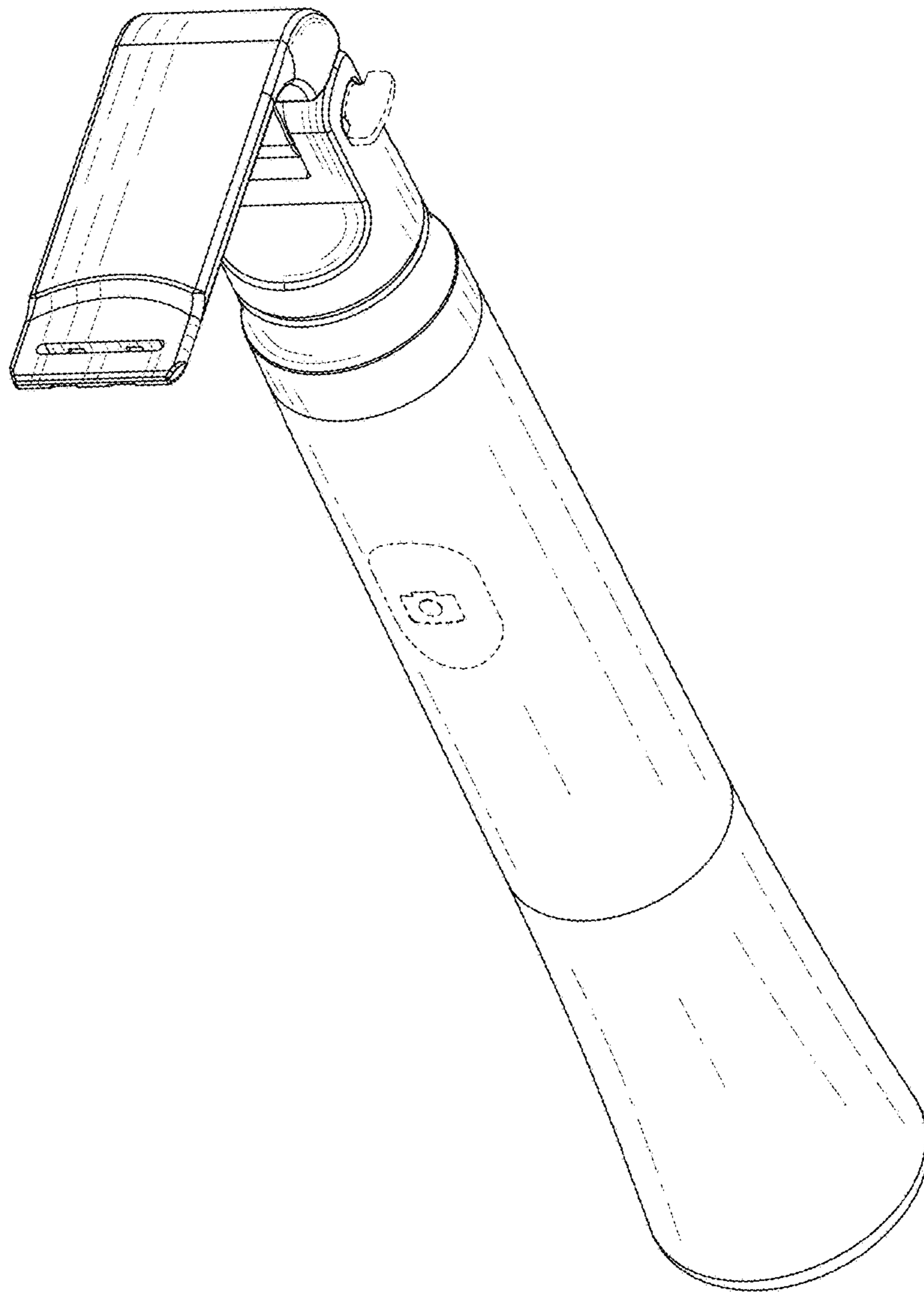


Fig. 8

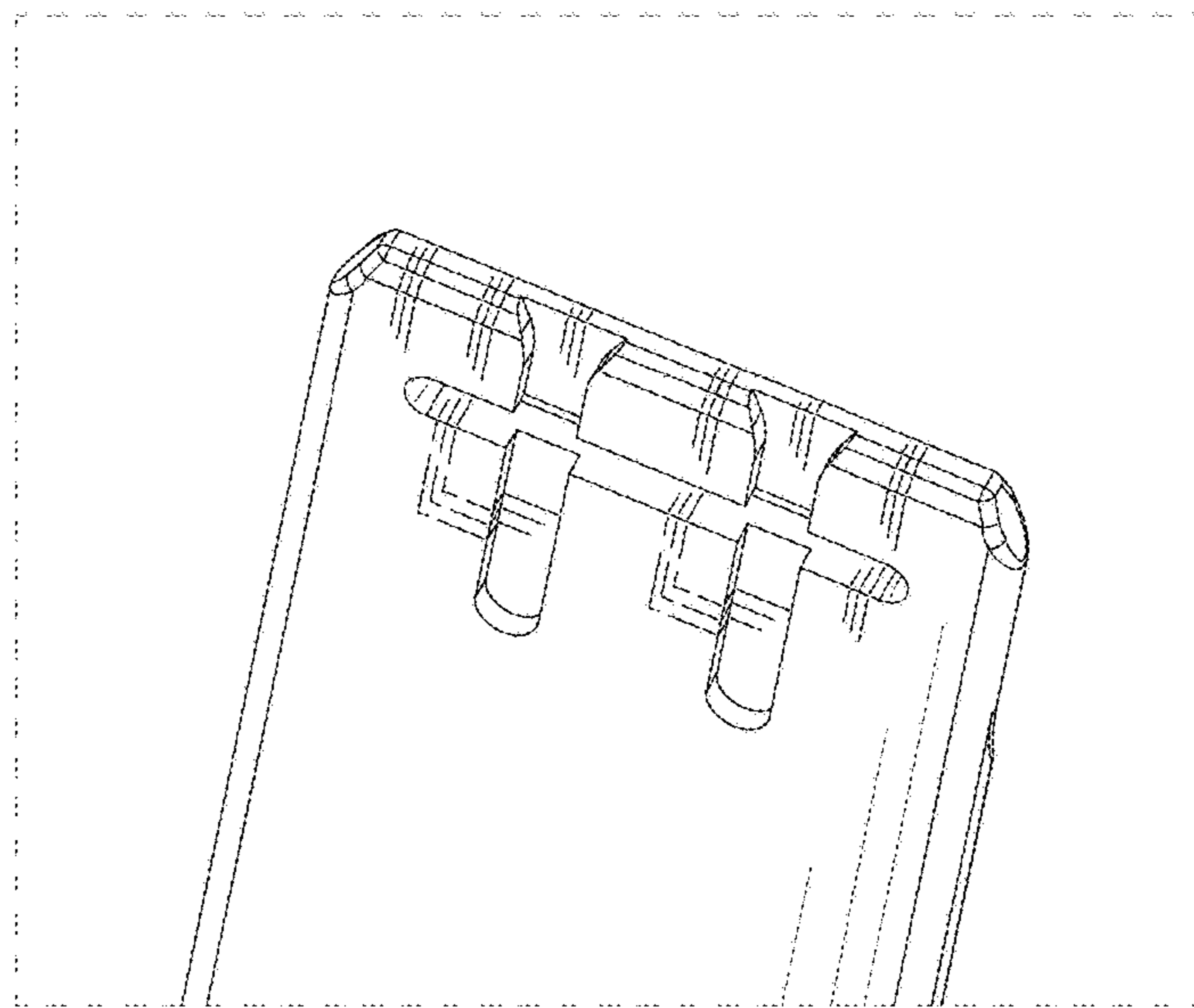


Fig. 9