



US00D837867S

(12) **United States Design Patent**  
**Martin et al.**

(10) **Patent No.:** **US D837,867 S**  
(45) **Date of Patent:** **\*\* Jan. 8, 2019**

(54) **ADHESIVE MOUNT FOR A PORTABLE VIDEO CAMERA**

(71) Applicant: **OCU LIMITED**, East Grinstead (GB)

(72) Inventors: **Hugo Martin**, Oxfordshire (GB);  
**Robert William Moore**, Theale (GB);  
**Firas Kittaneh**, Tempe, AZ (US)

(73) Assignee: **OCU LIMITED**, East Grinstead (GB)

(\*\*) Term: **15 Years**

(21) Appl. No.: **29/610,932**

(22) Filed: **Jul. 17, 2017**

(51) **LOC (11) Cl.** ..... **16-05**

(52) **U.S. Cl.**  
USPC ..... **D16/242**

(58) **Field of Classification Search**  
USPC ..... D16/219, 237–250; D14/224, 229, 238,  
D14/251, 447, 451, 457; D8/354, 355,  
D8/363, 373, 382, 383, 394, 395, 396  
CPC ..... G03B 17/56; G03B 17/561–17/568; G02B  
7/00–7/002; H04N 5/2253–5/2254; F16M  
11/06–11/10; F16M 11/14; A45F 5/10  
See application file for complete search history.

(56) **References Cited**

**U.S. PATENT DOCUMENTS**

D395,996 S *	7/1998	Fischer	.....	D8/349
D722,864 S *	2/2015	Greenthal	.....	D8/382
D722,865 S *	2/2015	Greenthal	.....	D8/382
D757,842 S *	5/2016	Harrison	.....	D16/242
9,588,407 B1 *	3/2017	Harrison	.....	G03B 17/561
D795,326 S *	8/2017	Martin	.....	D16/242
D800,204 S *	10/2017	Harrison	.....	D16/242
D800,205 S *	10/2017	Harrison	.....	D16/242
D800,822 S *	10/2017	Costa	.....	D16/242

9,778,548 B2 *	10/2017	Achenbach	.....	G03B 17/561
9,851,622 B2 *	12/2017	Song	.....	G03B 17/561
D809,052 S *	1/2018	Martin	.....	D16/242
2015/0316205 A1 *	11/2015	Bennett	.....	F16M 13/00 224/181
2017/0108760 A1 *	4/2017	Achenbach	.....	G03B 17/561

(Continued)

**OTHER PUBLICATIONS**

Gold Winner—Oclu. [online] Retrieved May 22, 2018 from URL:  
<<https://www.productdesignaward.eu/winners/epd/2017/8554/>>.\*  
(Continued)

*Primary Examiner* — Vy N Koenig  
(74) *Attorney, Agent, or Firm* — Weiss & Moy, P.C.;  
Jeffrey D. Moy

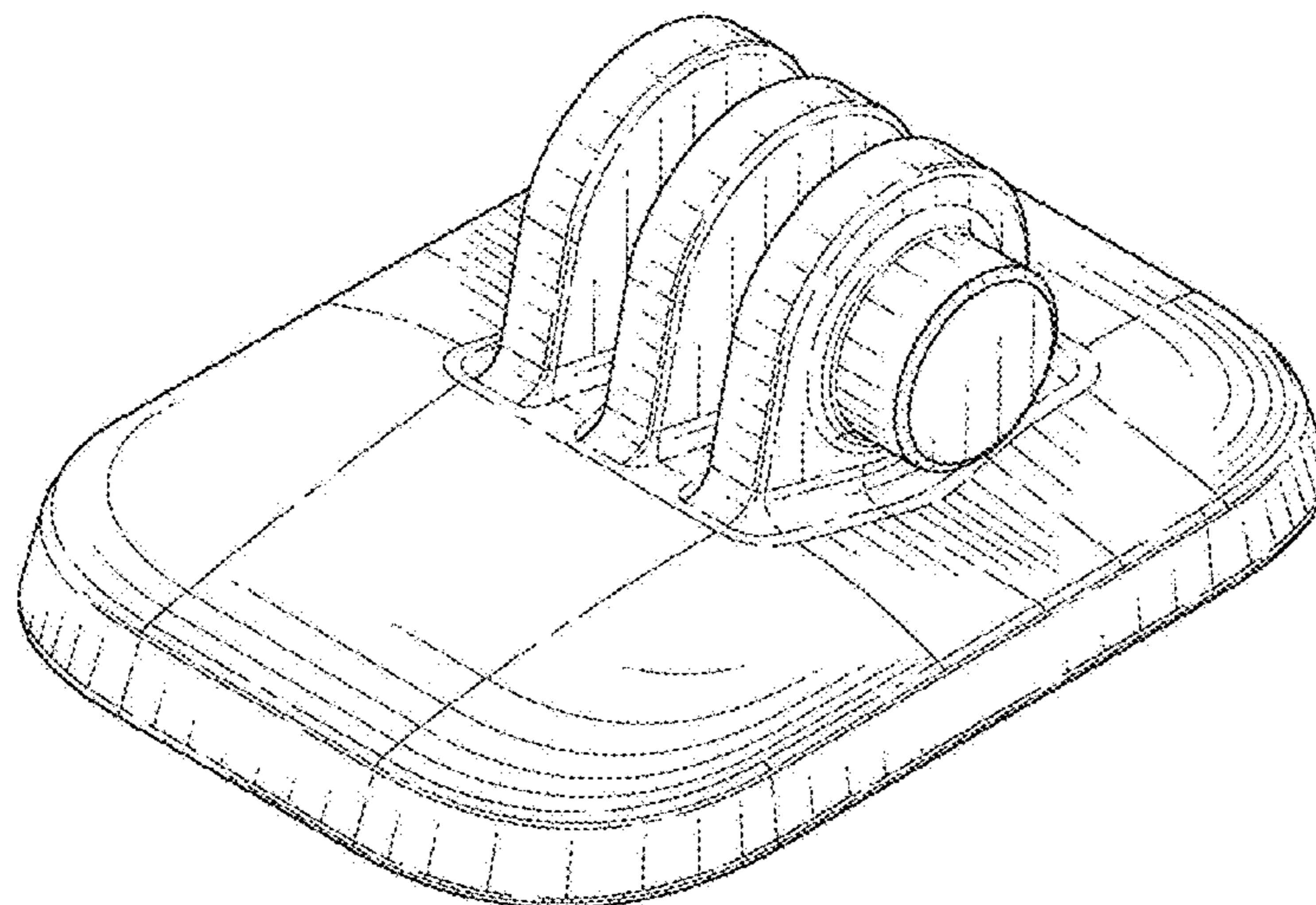
(57) **CLAIM**

The ornamental design for an adhesive mount for a portable video camera, as shown and described.

**DESCRIPTION**

FIG. 1 is a front, right, top perspective view of an adhesive mount for a portable video camera showing our new design; FIG. 2 is front view of the adhesive mount for a portable video camera; FIG. 3 is a rear view of the adhesive mount for a portable video camera; FIG. 4 is a left side view of the adhesive mount for a portable video camera; FIG. 5 is a right side view of the adhesive mount for a portable video camera; FIG. 6 is top view of the adhesive mount for a portable video camera; and, FIG. 7 is a bottom view of the adhesive mount for a portable video camera. The broken lines in the drawings depict portions of the adhesive mount that forms no part of the claimed design.

**1 Claim, 5 Drawing Sheets**



(56)

**References Cited**

U.S. PATENT DOCUMENTS

2017/0299948 A1\* 10/2017 Kittaneh ..... G03B 17/561

OTHER PUBLICATIONS

Helmet Extension Arm Self Photo. [online] Retrieved Apr. 26, 2018 from URL: <http://www.deal-dx.com/deal-dx/viewitem/233896-helmet-extension-arm-self-photo-curved-adhesive-mount-set-for-gopro-hero-1-2-3-black.html#.WuHU4jwZPY>.\*

GoPro Curved & Flat Adhesive Camera Mounts. [online] Retrieved Apr. 26, 2018 from URL: [https://shop.gopro.com/mounts/curved-plus-flat-adhesive-mounts/AACFT-001.html?gclid=Cj0KCQjw8YXXBRDXARIsAMzsQuULhXH3HglOAtxFdhOf\\_pptFXomPUdAFufWvEqDyTVM3QYdy69VMNQaAhthEALw\\_wcB&dclid=CO-Ny-q12NoCFcyhswodVDwLbw](https://shop.gopro.com/mounts/curved-plus-flat-adhesive-mounts/AACFT-001.html?gclid=Cj0KCQjw8YXXBRDXARIsAMzsQuULhXH3HglOAtxFdhOf_pptFXomPUdAFufWvEqDyTVM3QYdy69VMNQaAhthEALw_wcB&dclid=CO-Ny-q12NoCFcyhswodVDwLbw).\*

\* cited by examiner

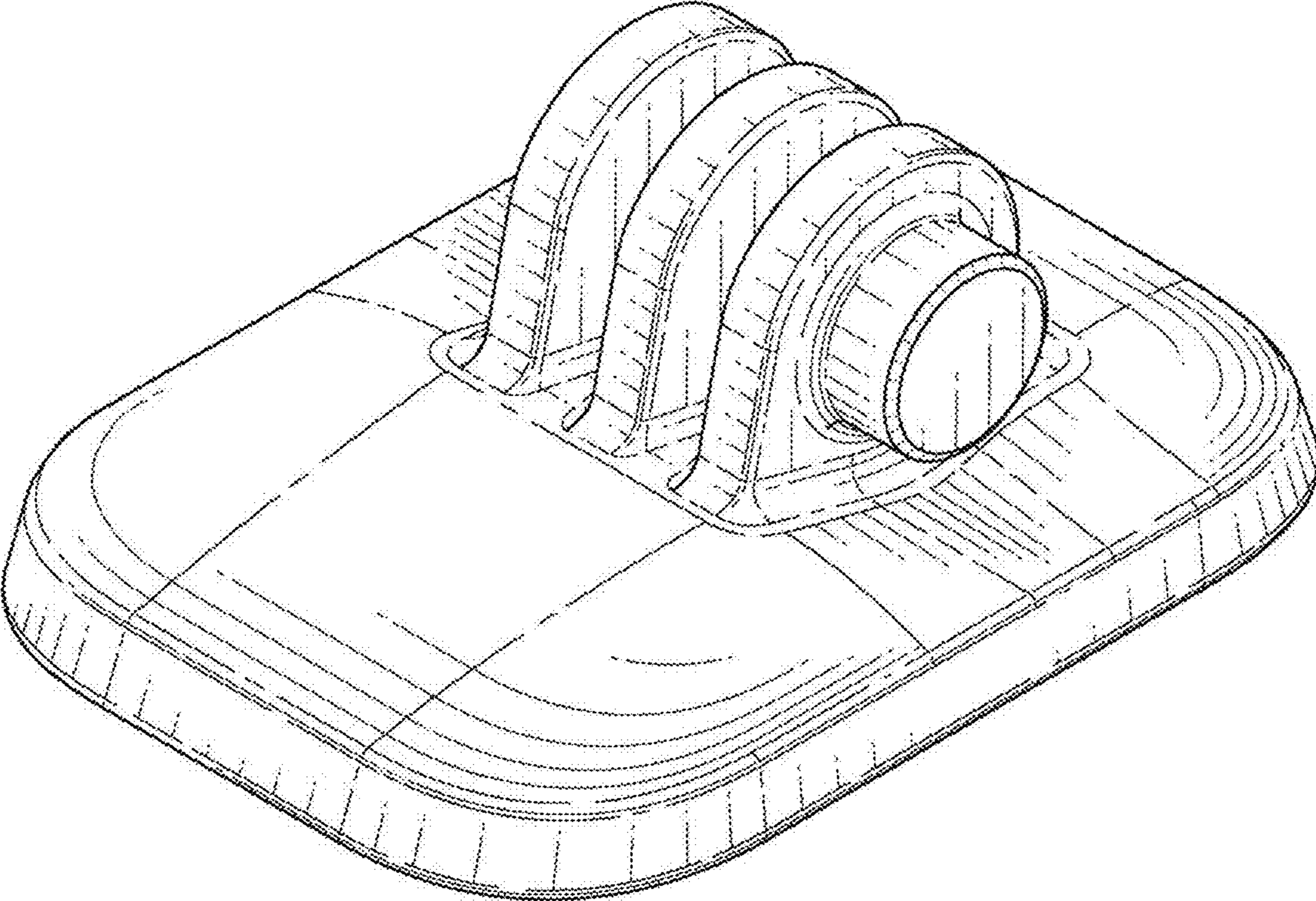


FIG. 1

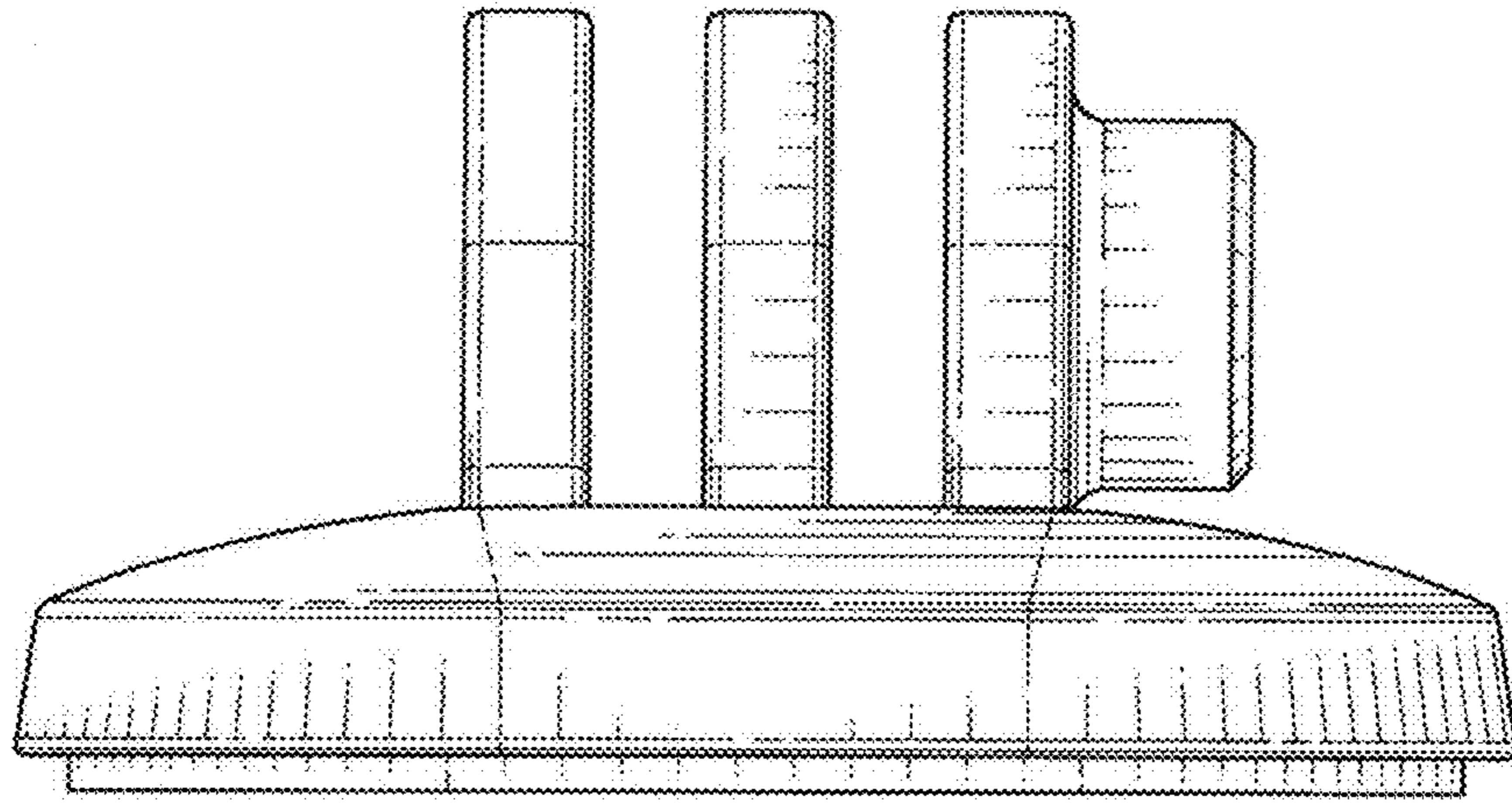


FIG. 2

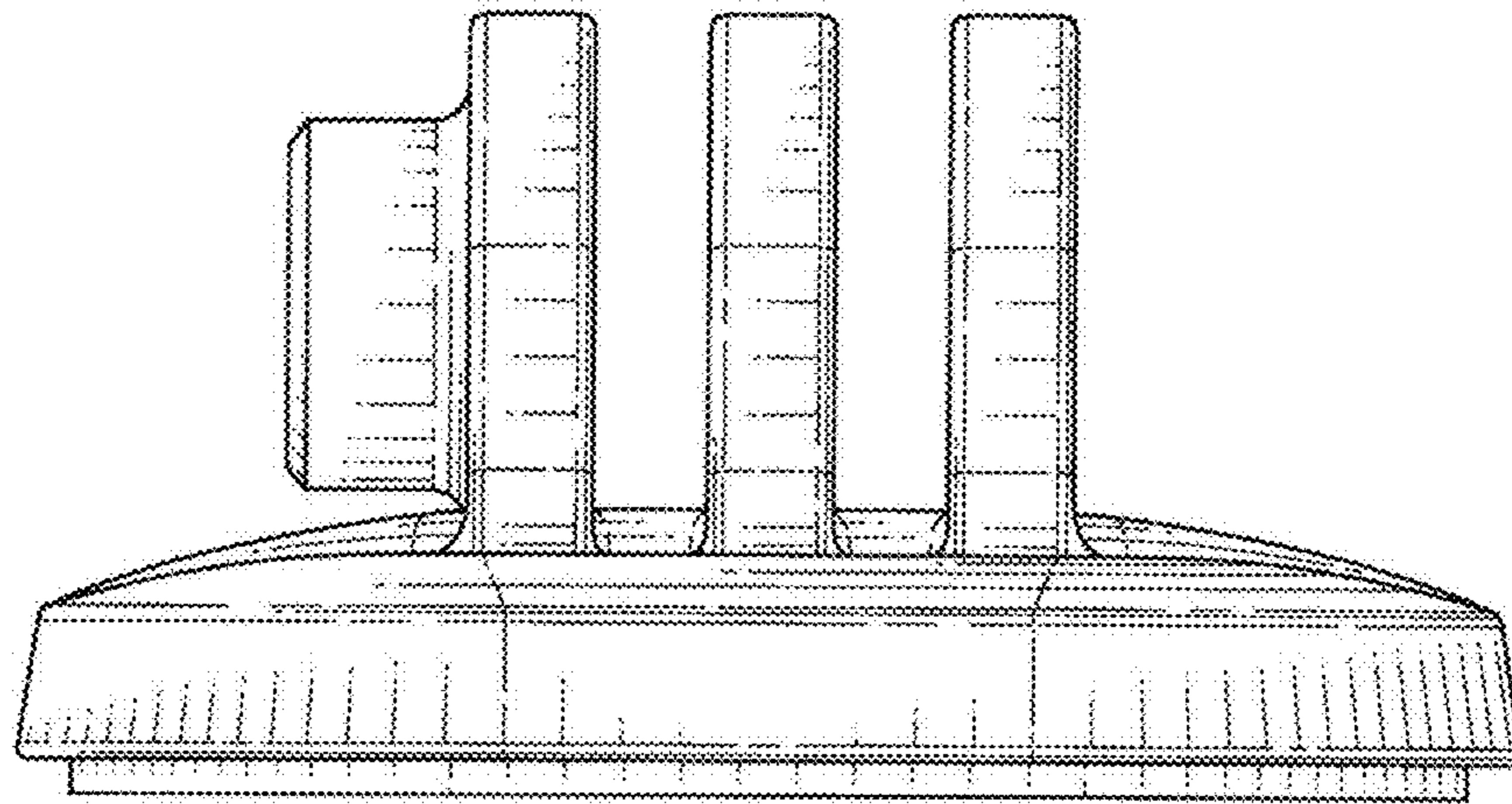


FIG. 3

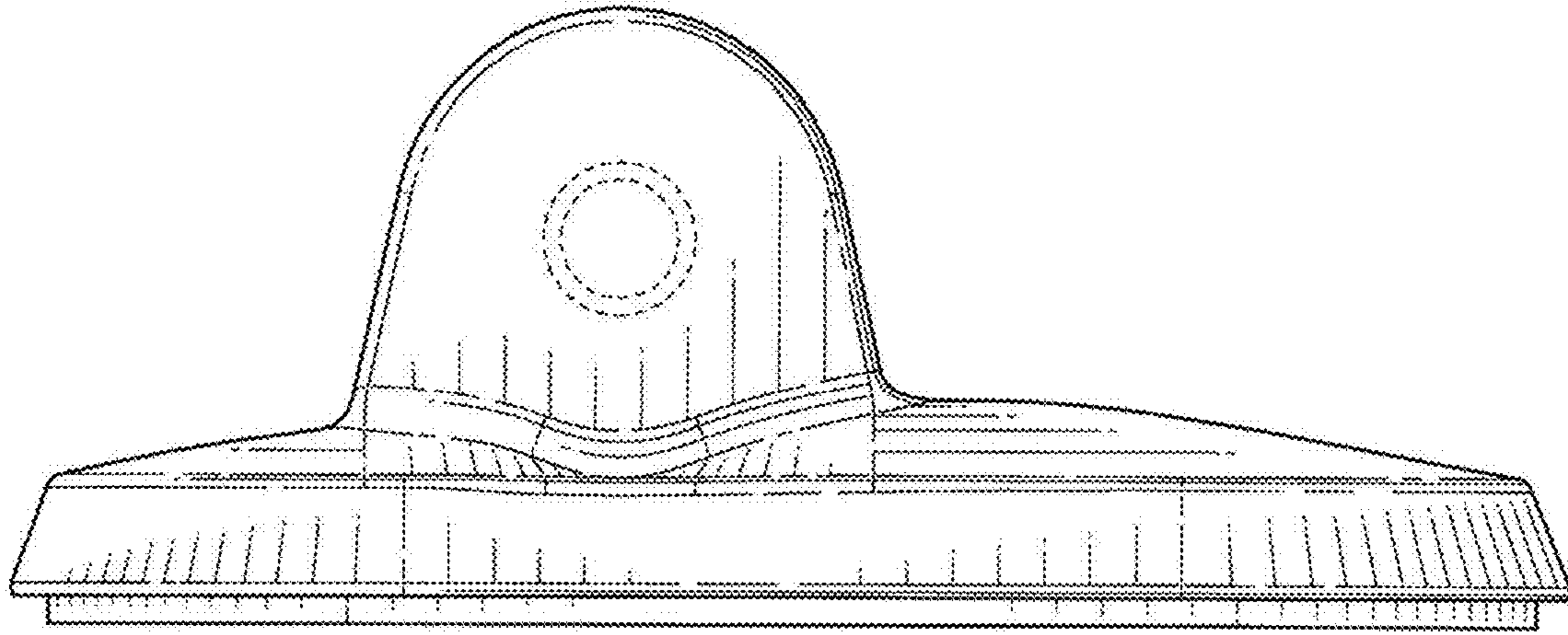


FIG. 4

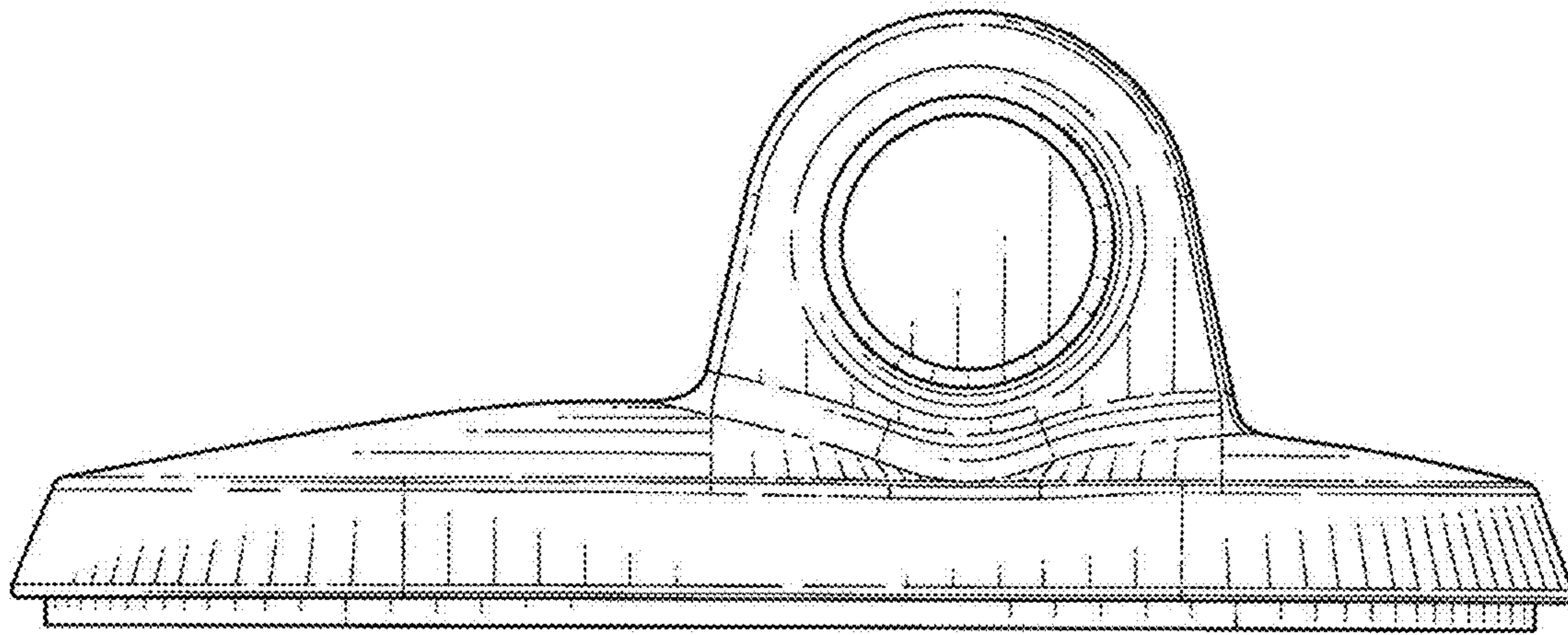


FIG. 5

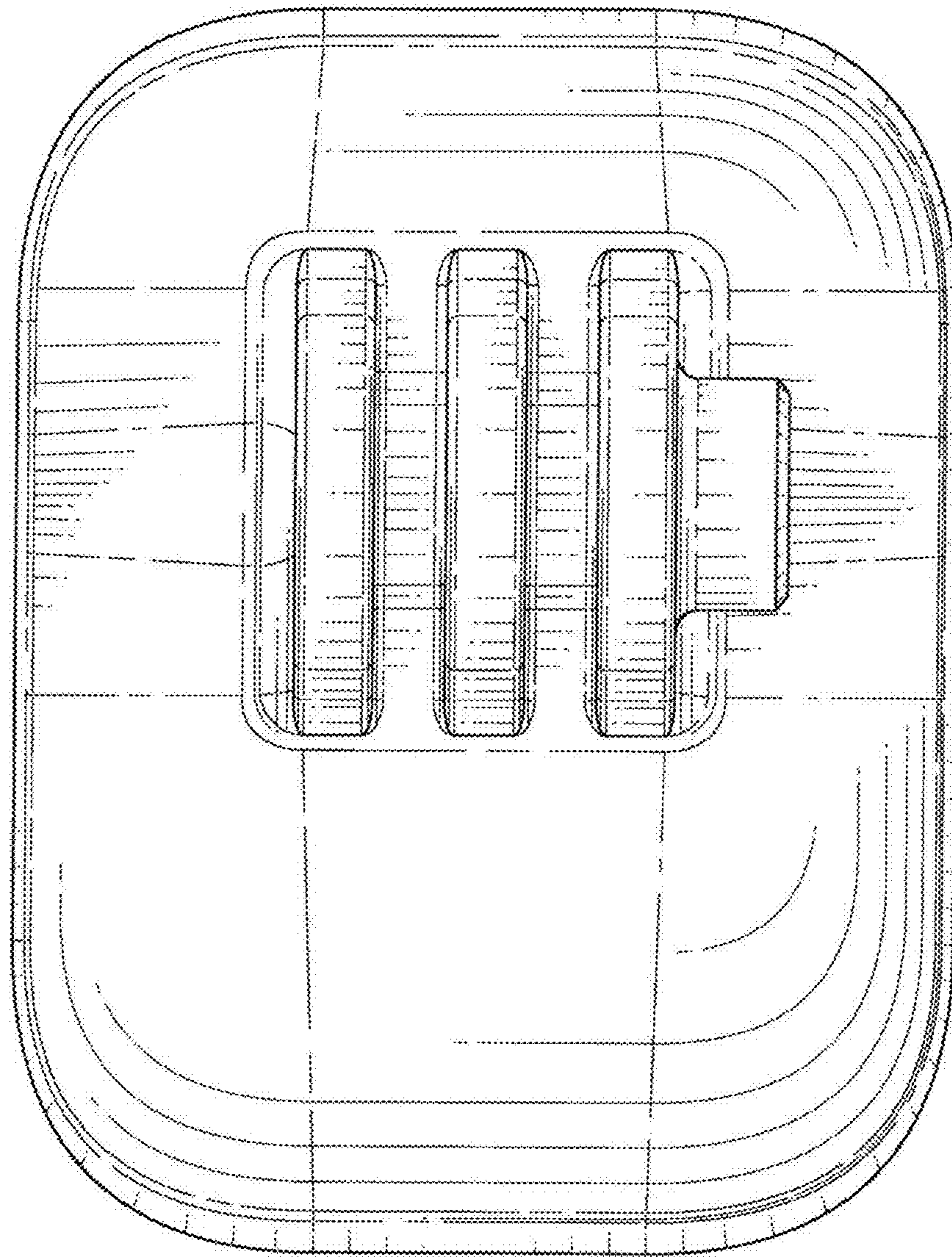


FIG. 6

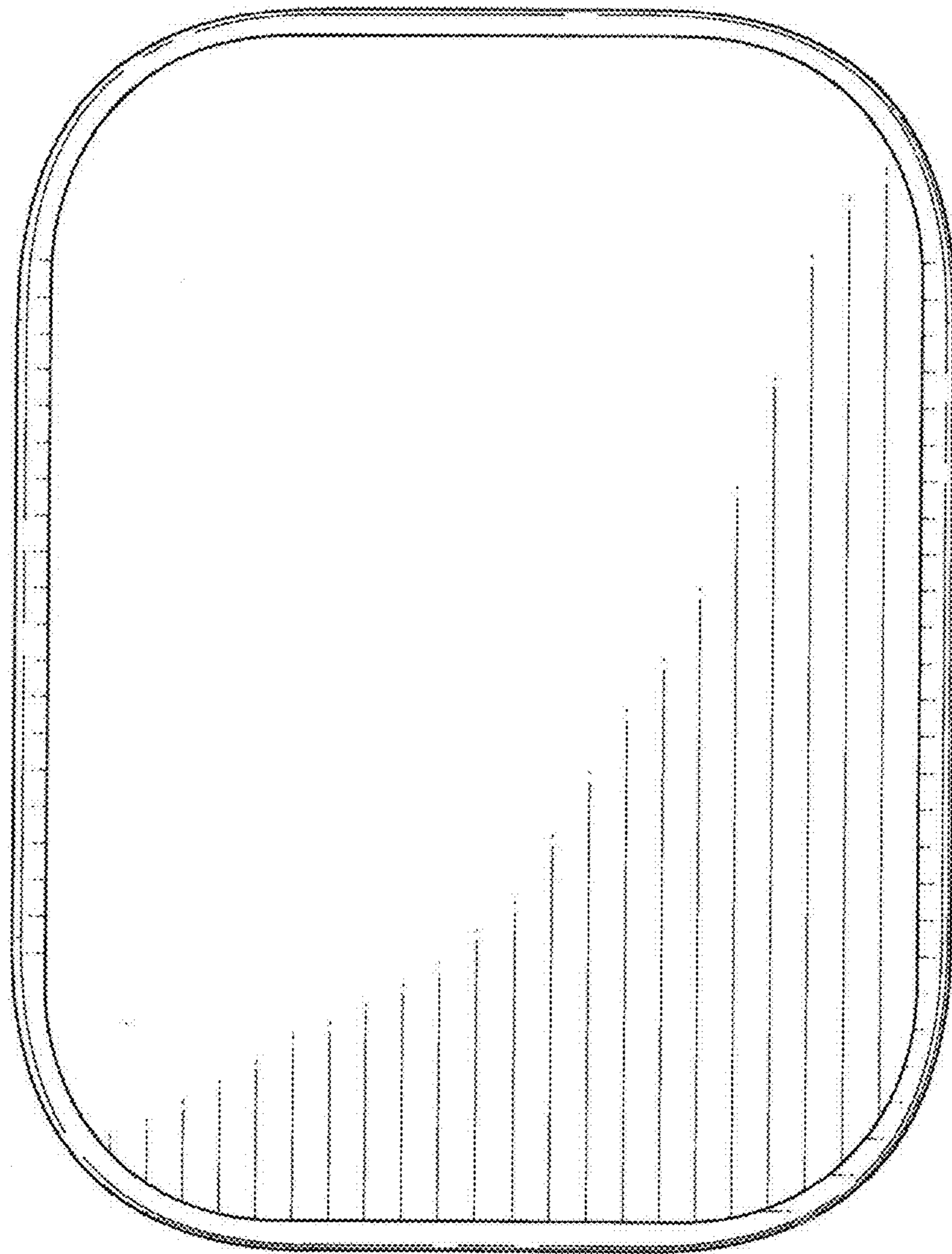


FIG. 7