



US00D837866S

(12) **United States Design Patent**
Yuto

(10) **Patent No.:** **US D837,866 S**
(45) **Date of Patent:** **** Jan. 8, 2019**

(54) **LAMP UNIT FOR PROJECTOR**

(71) Applicant: **SEIKO EPSON CORPORATION,**
Tokyo (JP)

(72) Inventor: **Daiki Yuto,** Matsumoto (JP)

(73) Assignee: **SEIKO EPSON CORPORATION,**
Tokyo (JP)

(**) Term: **15 Years**

(21) Appl. No.: **29/621,996**

(22) Filed: **Oct. 13, 2017**

(30) **Foreign Application Priority Data**

Apr. 14, 2017 (JP) 2017-008096

(51) **LOC (11) Cl.** **16-02**

(52) **U.S. Cl.**
USPC **D16/235**

(58) **Field of Classification Search**
USPC D16/221, 225, 235; D26/1, 24
CPC G03B 21/20; G03B 21/2046; G03B 21/2006;
G03B 21/2026; G03B 21/2066; G03B
21/2093; G03B 21/145; F21V 15/01;
F21V 29/503

See application file for complete search history.

(56) **References Cited**

U.S. PATENT DOCUMENTS

D673,202 S * 12/2012 Takizawa D16/235
D686,271 S * 7/2013 Tanaka D16/235

D707,282 S 6/2014 Tanaka
9,063,400 B2 * 6/2015 Tanaka G03B 21/2026
D738,425 S * 9/2015 Miyata D16/235
9,568,815 B2 * 2/2017 Tanaka G03B 21/145
D809,585 S * 2/2018 Shimizu D16/235

OTHER PUBLICATIONS

Design U.S. Appl. No. 29/588,425 to Shingo Otsuka filed Dec. 20, 2016.

* cited by examiner

Primary Examiner — Wan Laymon

(57) **CLAIM**

The ornamental design for a lamp unit for projector, as shown and described.

DESCRIPTION

FIG. 1 is a front, top, and right side perspective view of a lamp unit for projector showing my new design;
FIG. 2 is a rear, bottom, and left side perspective view thereof;
FIG. 3 is a front view thereof;
FIG. 4 is a rear view thereof;
FIG. 5 is a top plan view thereof;
FIG. 6 is a bottom plan view thereof;
FIG. 7 is a right side view thereof; and,
FIG. 8 is a left side view thereof.

The broken lines illustrate portions of the lamp unit for projector and form no part of the claimed design.

1 Claim, 8 Drawing Sheets

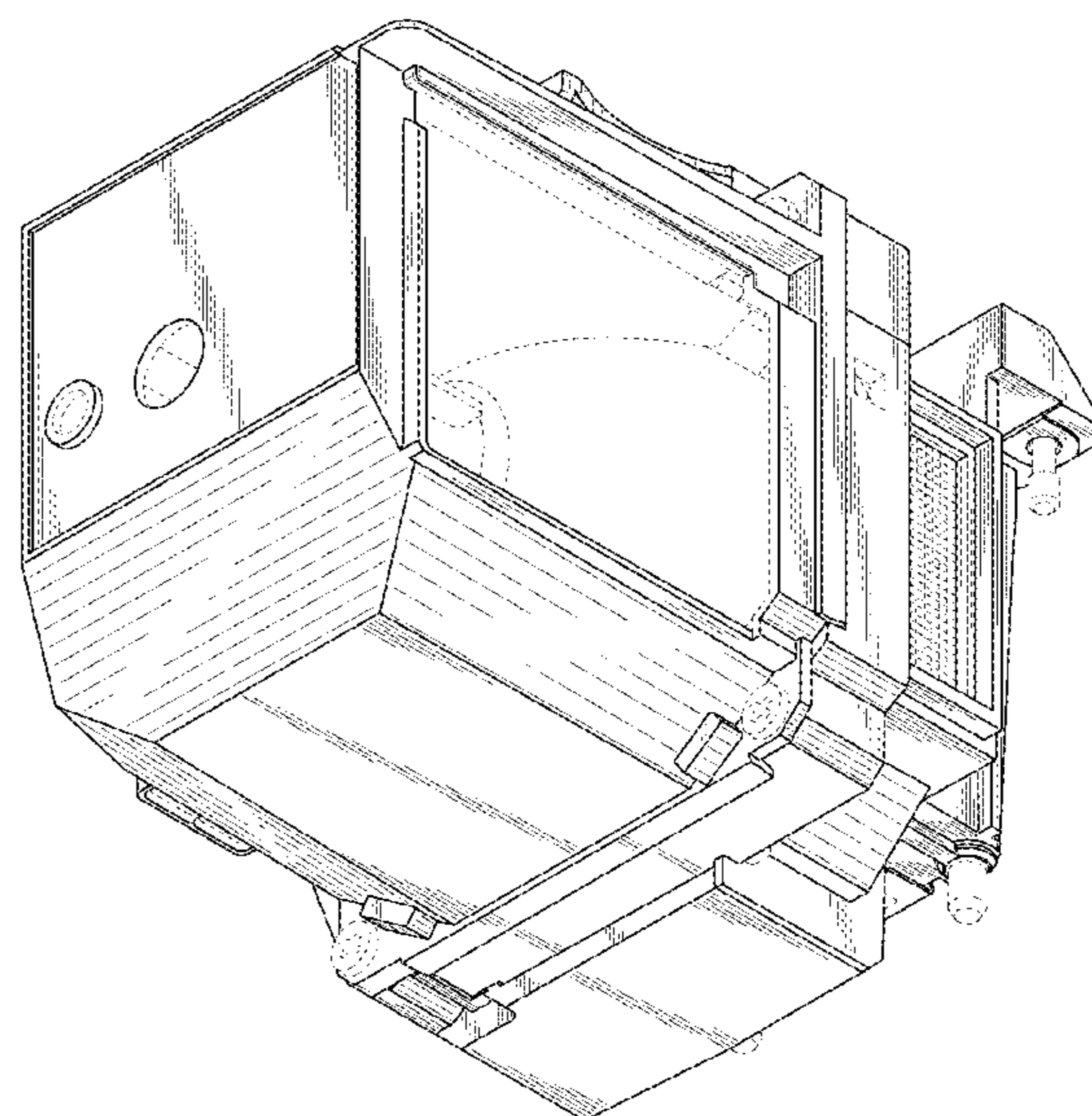
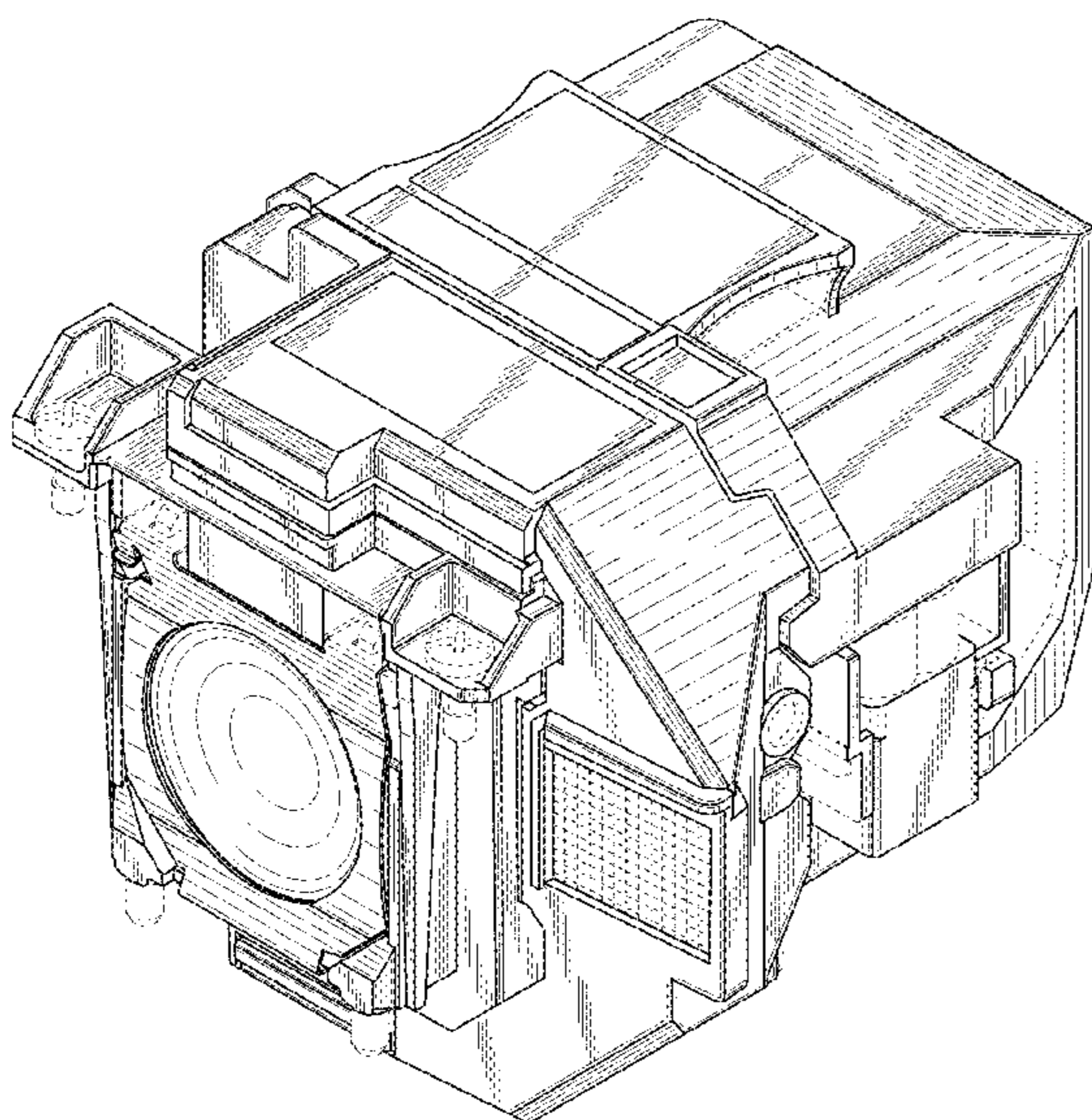


FIG. 1

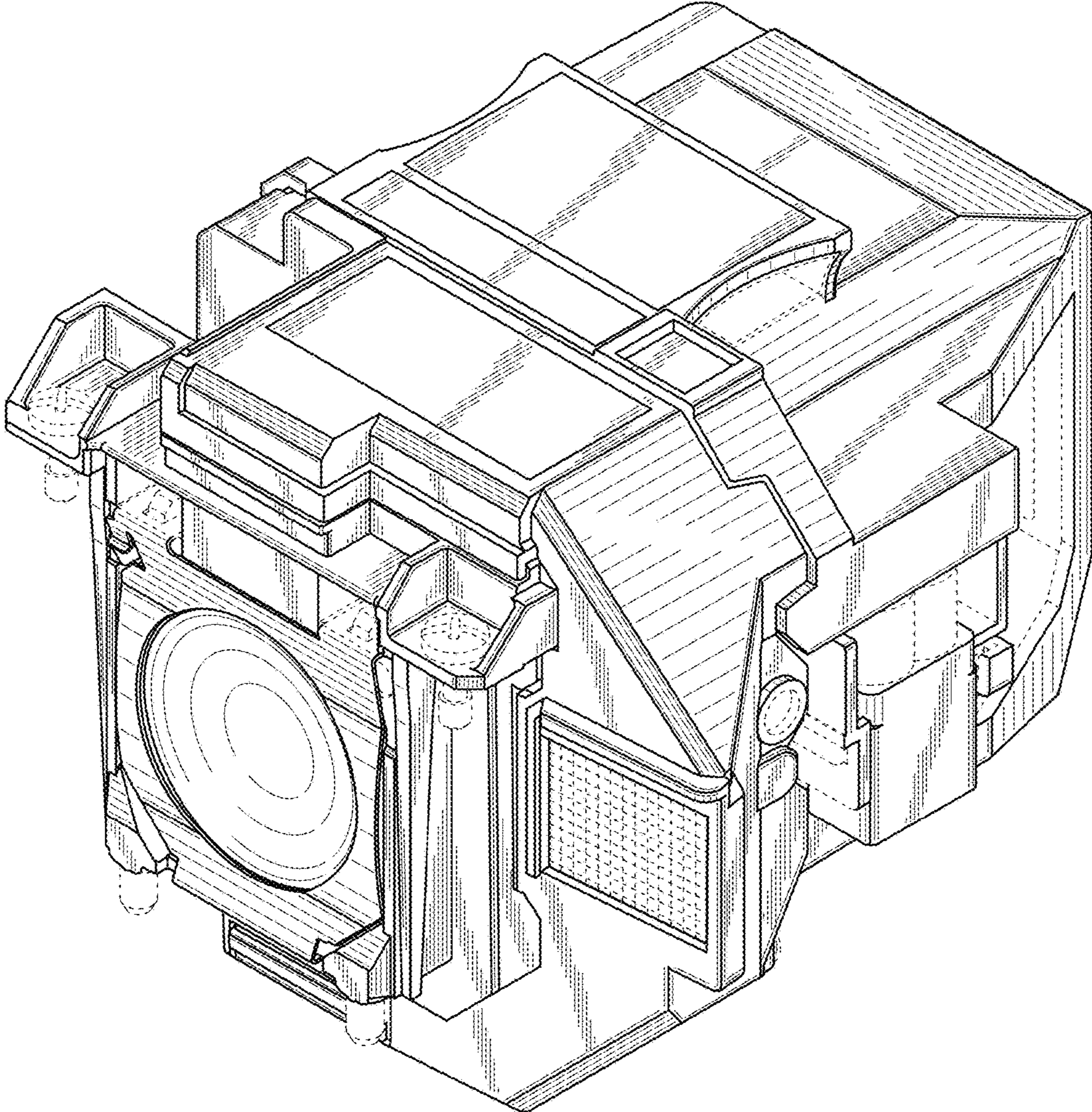


FIG. 2

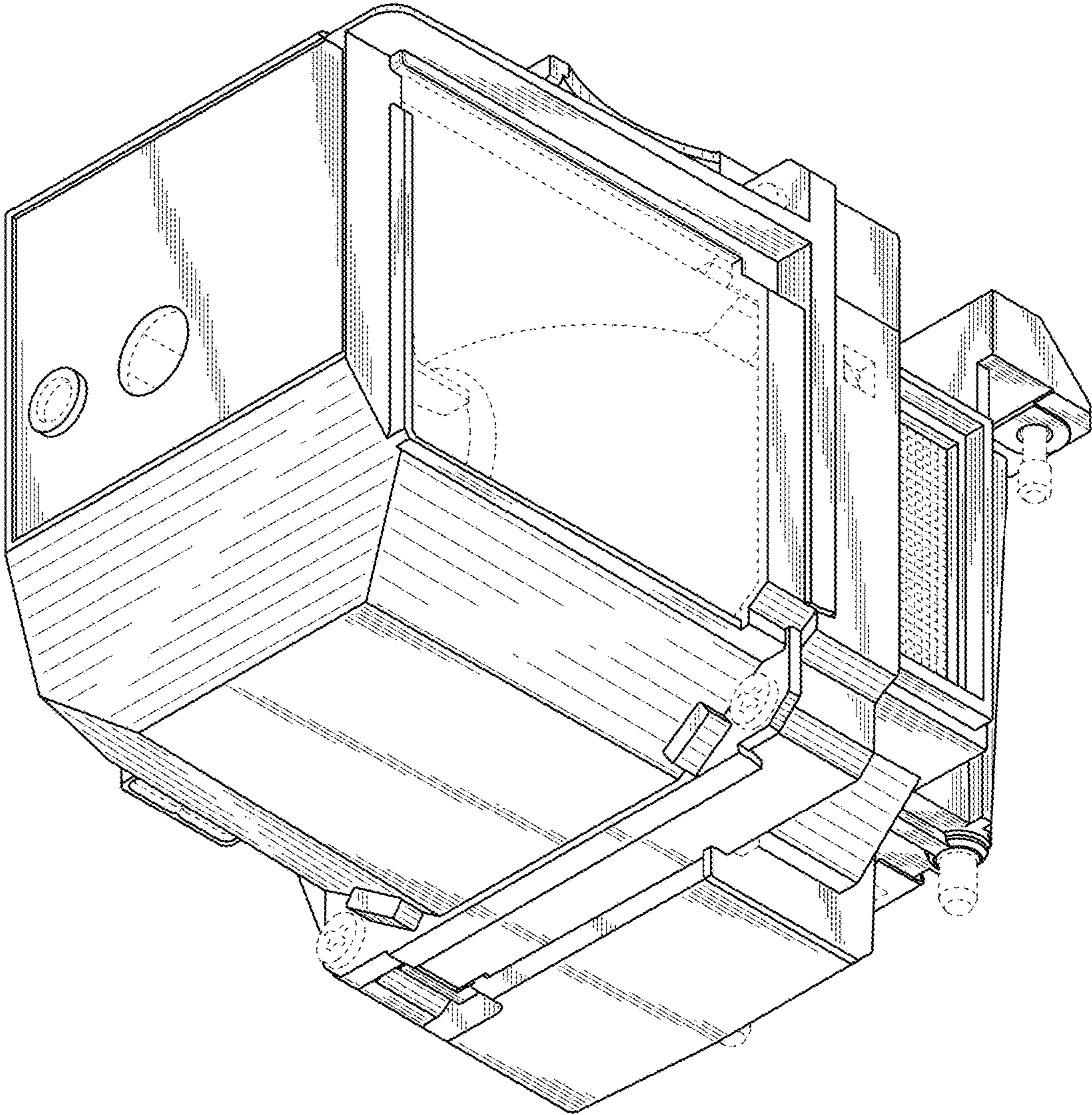


FIG. 3

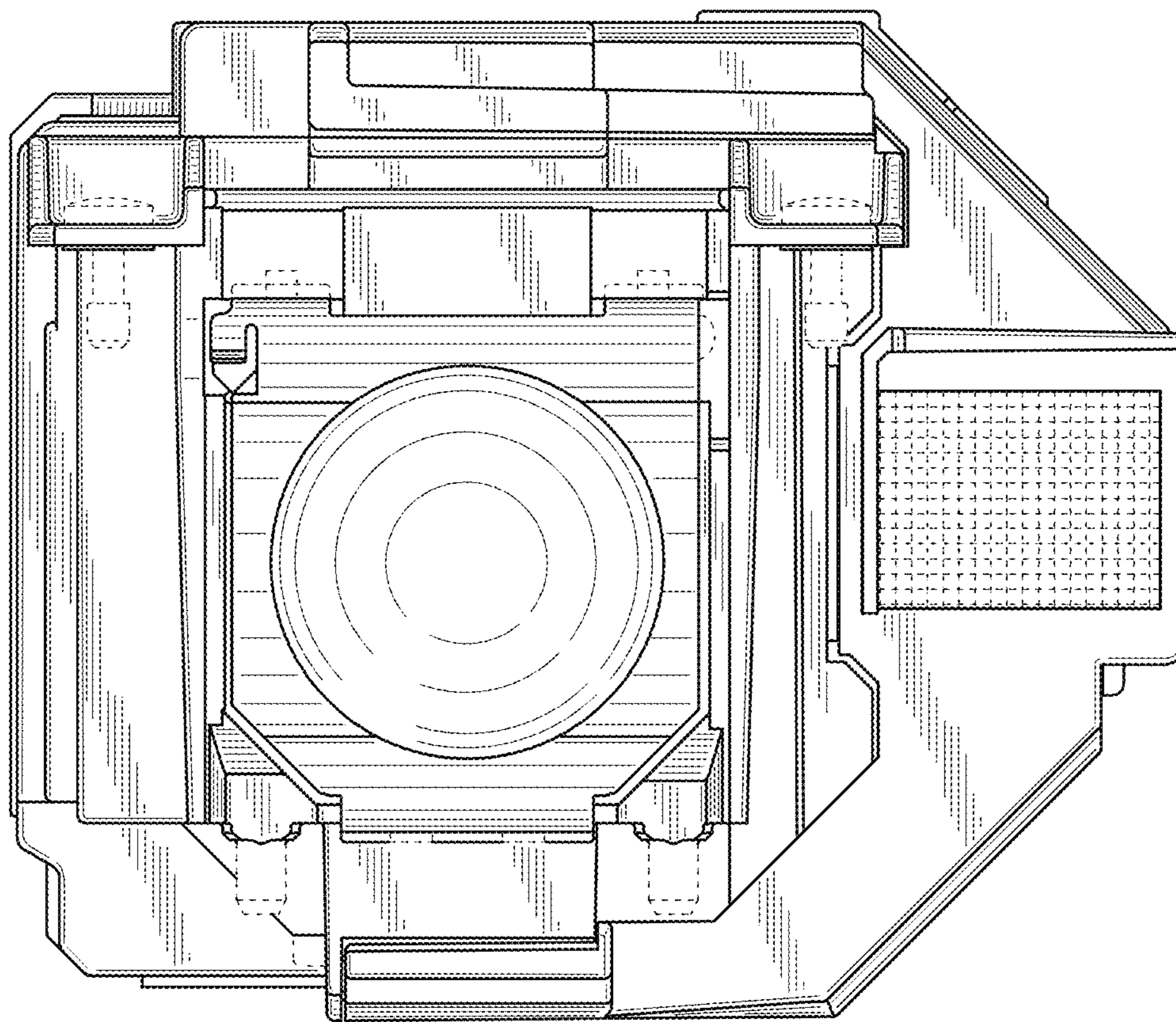


FIG. 4

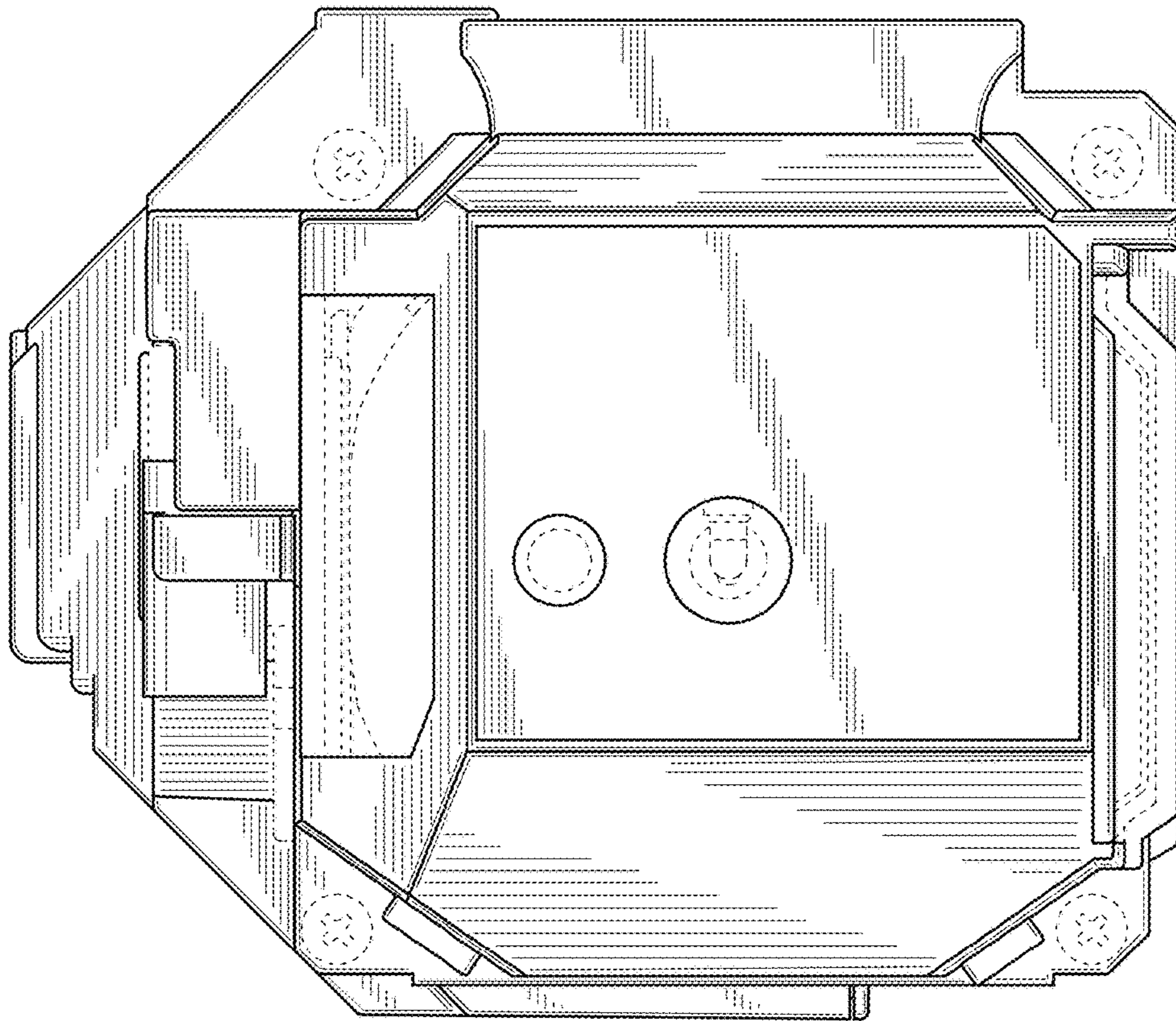


FIG. 5

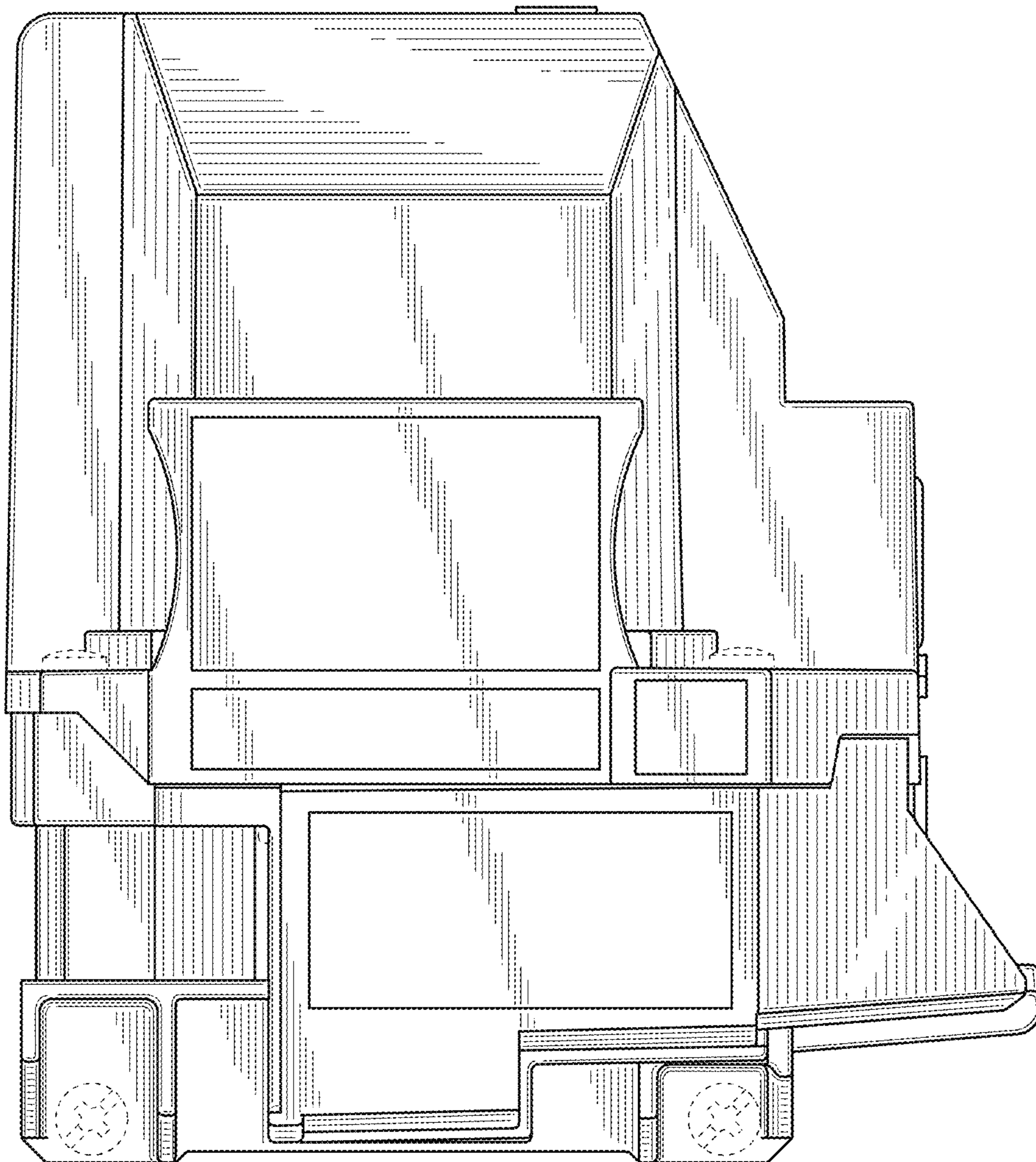


FIG. 6

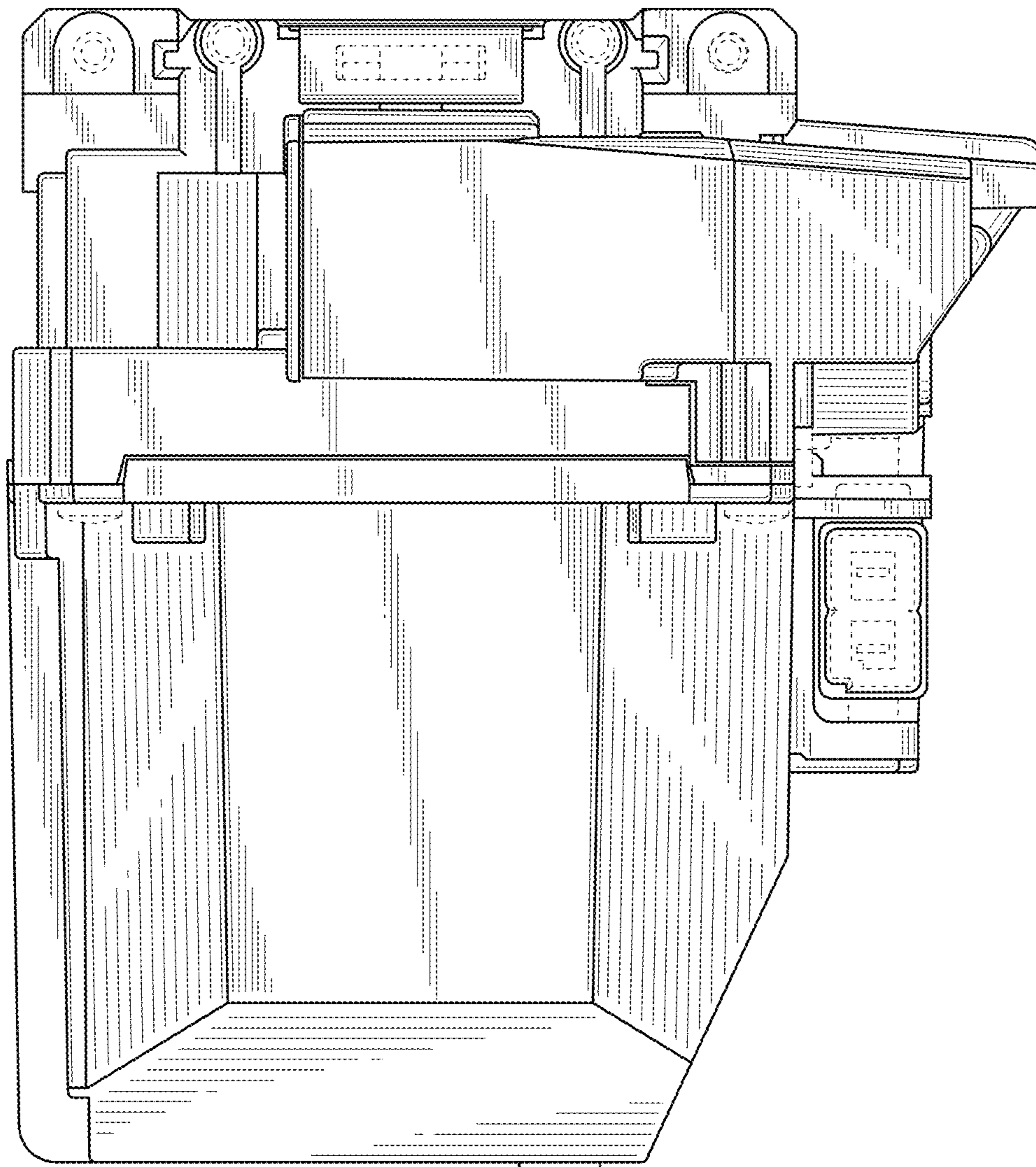


FIG. 7

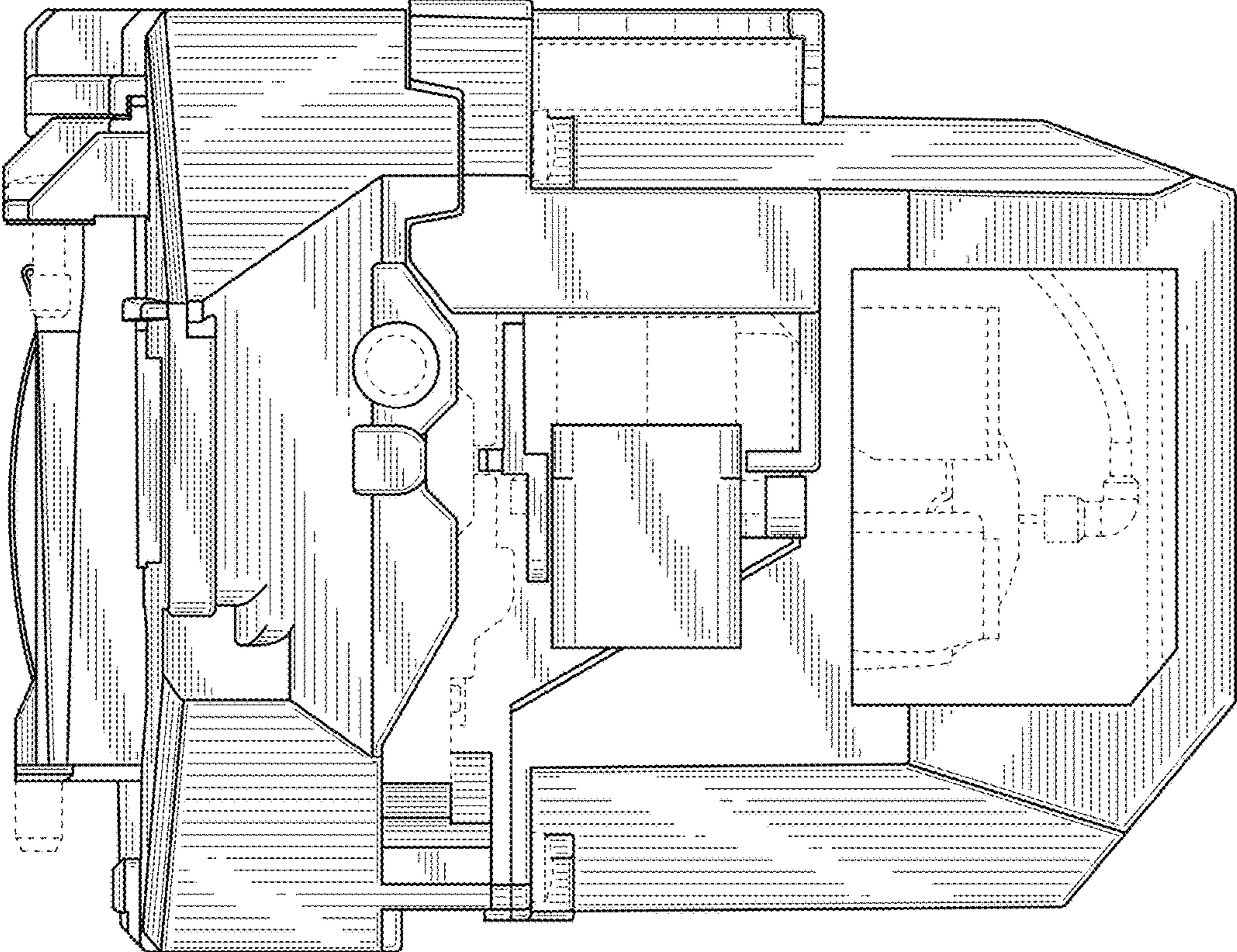


FIG. 8

