



US00D837862S

(12) **United States Design Patent** (10) **Patent No.:** **US D837,862 S**
Marx (45) **Date of Patent:** **** Jan. 8, 2019**

(54) **VIDEO CENTRATION APPARATUS**
(71) Applicant: **Carl Zeiss Vision International GmbH**, Aalen (DE)
(72) Inventor: **Matthias Marx**, Gschwend (DE)
(73) Assignee: **Carl Zeiss Vision International GmbH**, Aalen (DE)

D685,015 S * 6/2013 Wang D16/202
D687,082 S * 7/2013 Wang D16/202
D698,380 S * 1/2014 Fletcher D16/202
D711,949 S * 8/2014 Koenck D16/130
D712,952 S * 9/2014 Sumii D14/496
D745,586 S * 12/2015 Chou D16/202
2013/0215322 A1 * 8/2013 Haler H04N 5/232
348/373

(**) Term: **15 Years**
(21) Appl. No.: **29/611,710**
(22) Filed: **Jul. 25, 2017**

(30) **Foreign Application Priority Data**
Jan. 27, 2017 (EM) 003718162-0007
Jan. 27, 2017 (EM) 003718162-0008

(51) **LOC (11) Cl.** **16-01**
(52) **U.S. Cl.**
USPC **D16/202**

(58) **Field of Classification Search**
USPC D16/200, 202–206, 208, 209, 218, 219;
348/294, 373–376; 359/826; 396/6, 301,
396/529, 535, 539–541
CPC G03B 15/03; G03B 17/02; G03B 17/04;
G03B 17/56; G03B 19/04; H04N 5/2251;
H04N 5/2252; H04N 5/2253; H04N
5/2254; H04N 2101/00
See application file for complete search history.

(56) **References Cited**
U.S. PATENT DOCUMENTS
5,808,663 A * 9/1998 Okaya H04N 7/142
348/14.1
D424,086 S * 5/2000 Choi D16/202
D505,439 S * 5/2005 Liiv D16/202

OTHER PUBLICATIONS

U.S. Appl. No. 29/611,703, filed Jul. 25, 2017, Matthias Marx.
U.S. Appl. No. 29/611,705, filed Jul. 25, 2017, Matthias Marx.
U.S. Appl. No. 29/611,709, filed Jul. 25, 2017, Matthias Marx.

* cited by examiner

Primary Examiner — Philip S Hyder
Assistant Examiner — Ramzi S Almatrahi
(74) *Attorney, Agent, or Firm* — Ewers & Hasselmann
PLLC

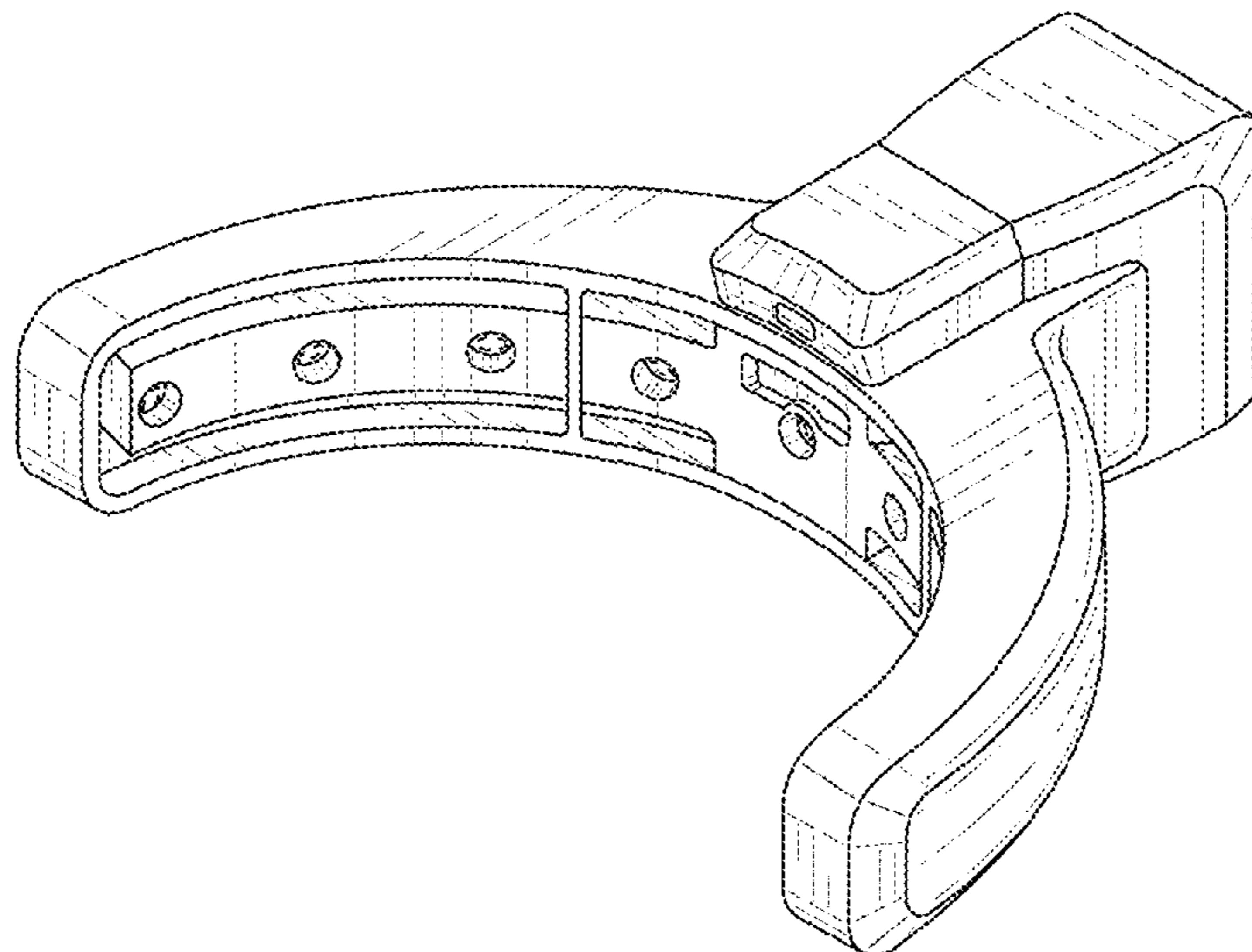
(57) **CLAIM**

The ornamental design for the video centration apparatus, as shown and described.

DESCRIPTION

FIG. 1 is a front elevation view of a video centration apparatus;
FIG. 2 is a front perspective view thereof;
FIG. 3 is a left side elevation view thereof;
FIG. 4 is a right side elevation view thereof;
FIG. 5 is a rear elevation view thereof;
FIG. 6 is a top plan view thereof; and,
FIG. 7 is a bottom plan view thereof.
The broken lines depict portions of the video centration apparatus in which the design is embodied that form no part of the claimed design.

1 Claim, 7 Drawing Sheets



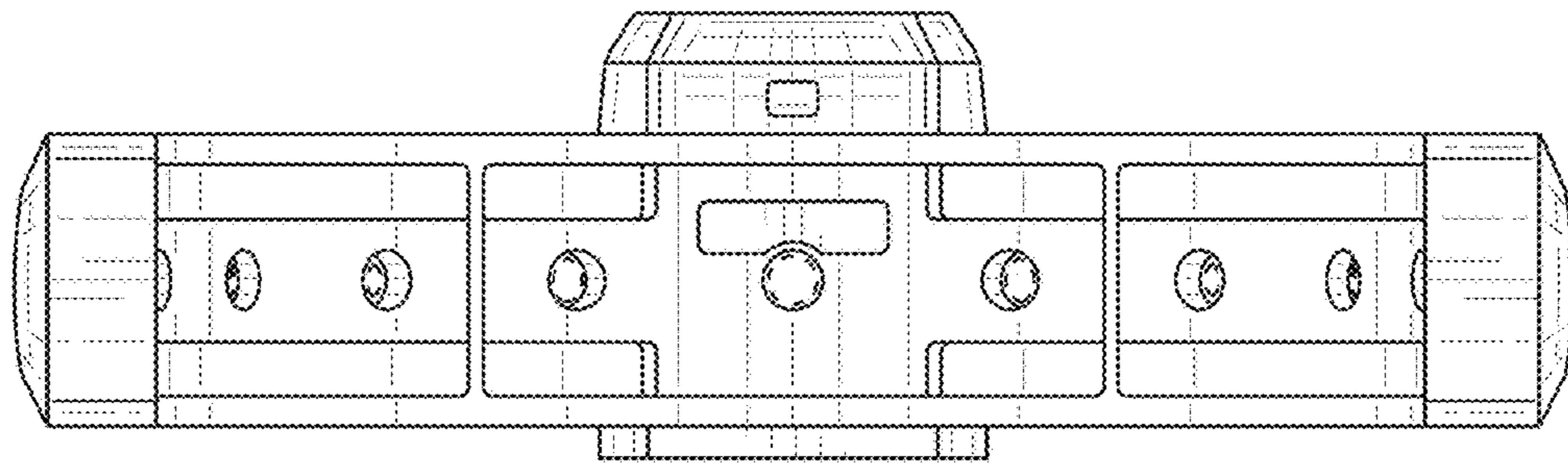


FIG. 1

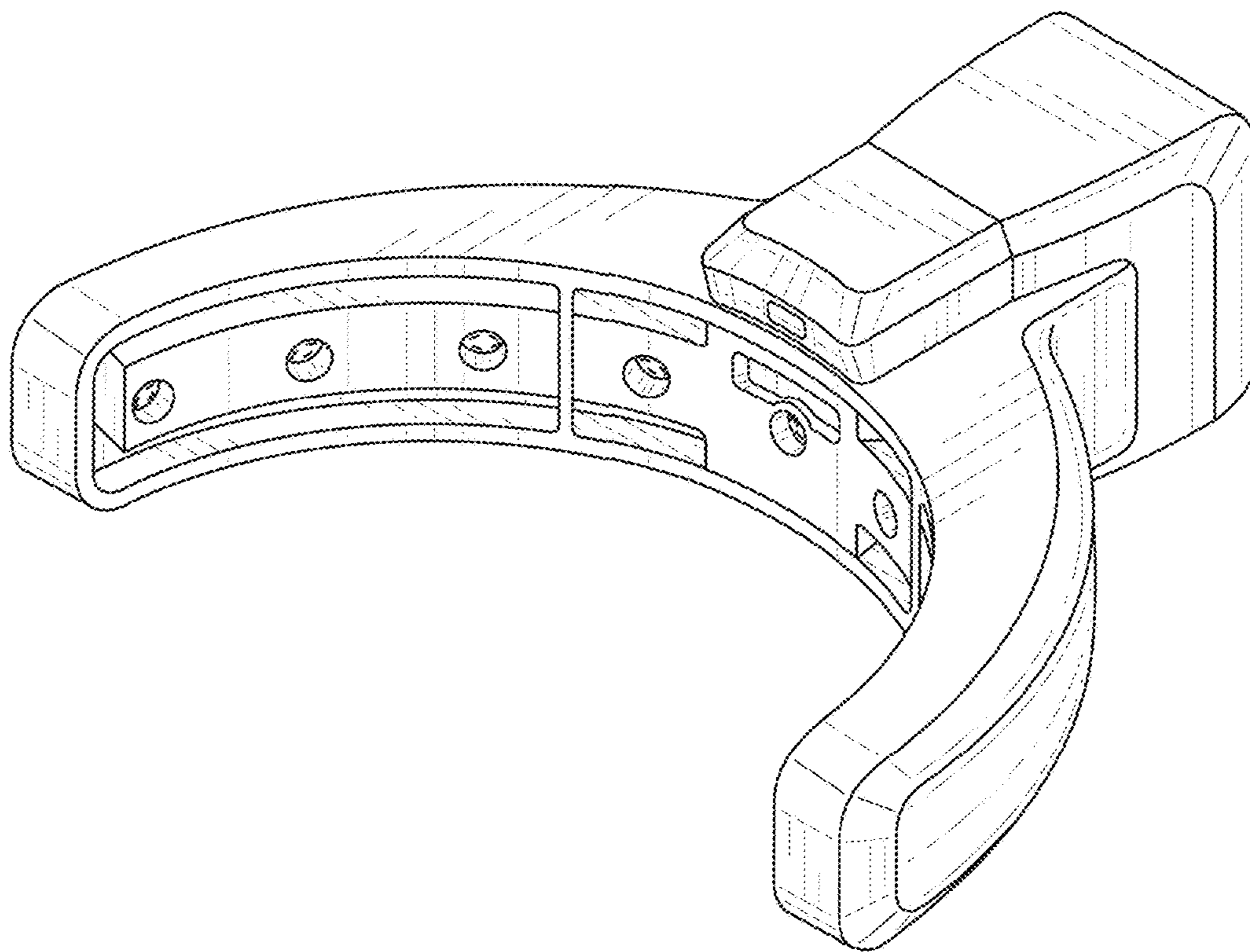


FIG. 2

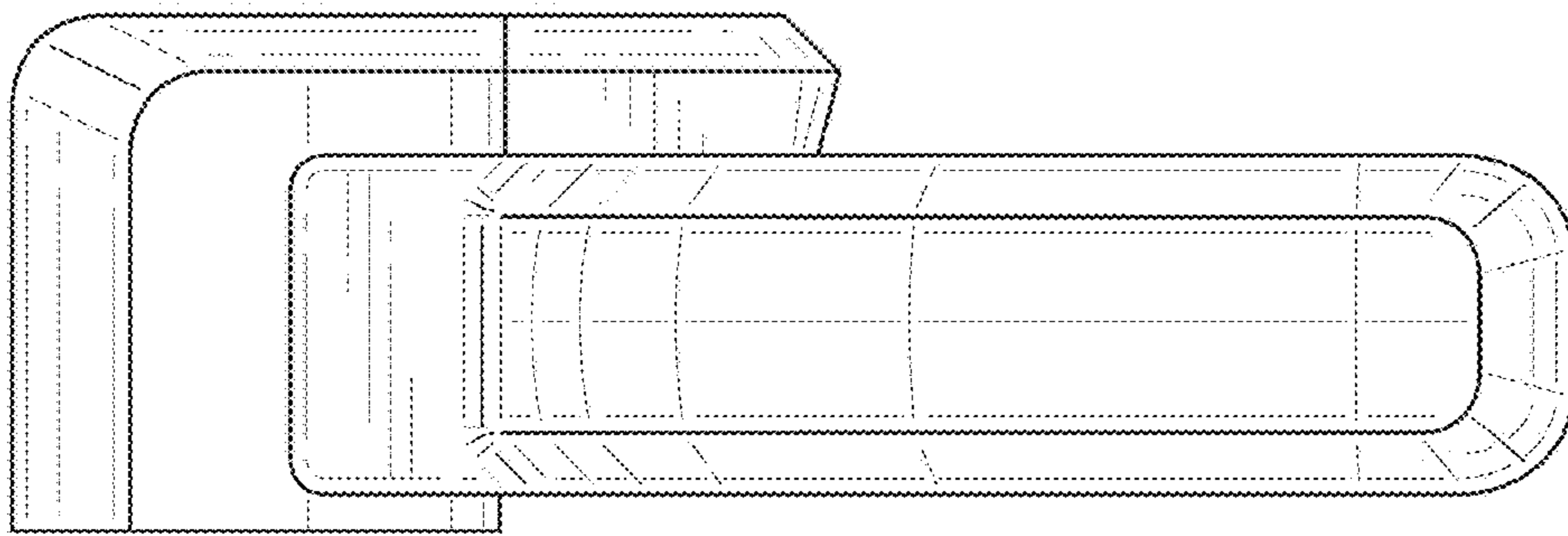


FIG. 3

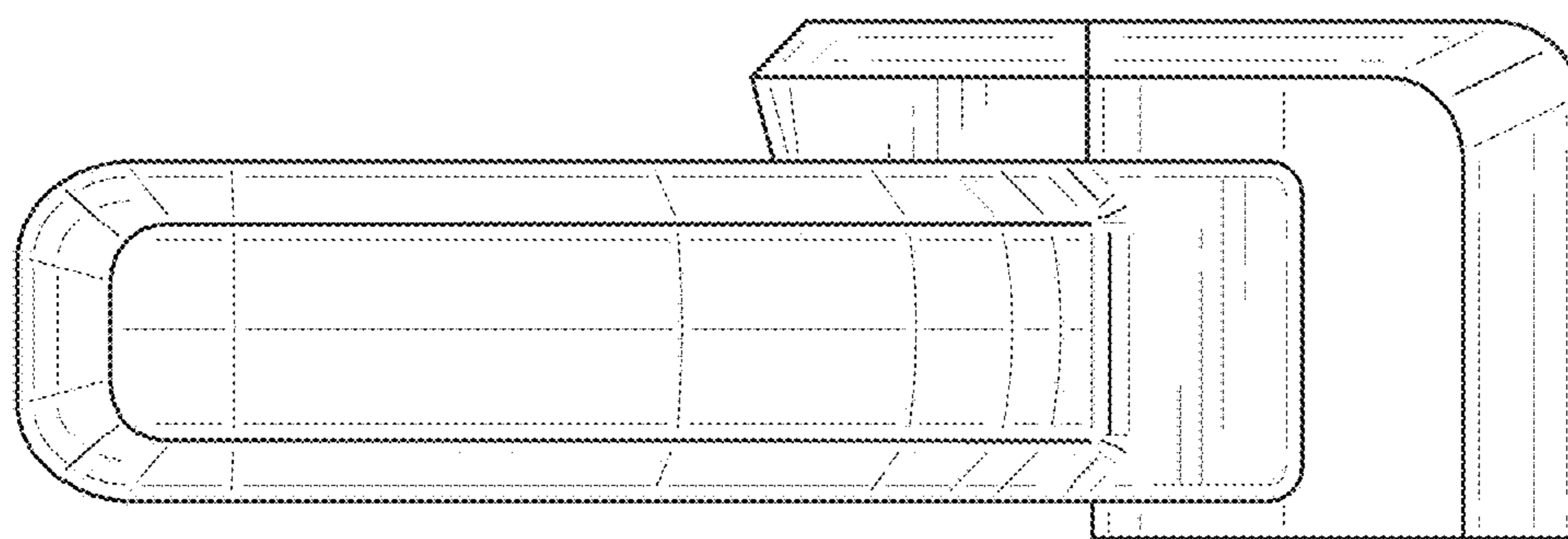


FIG. 4

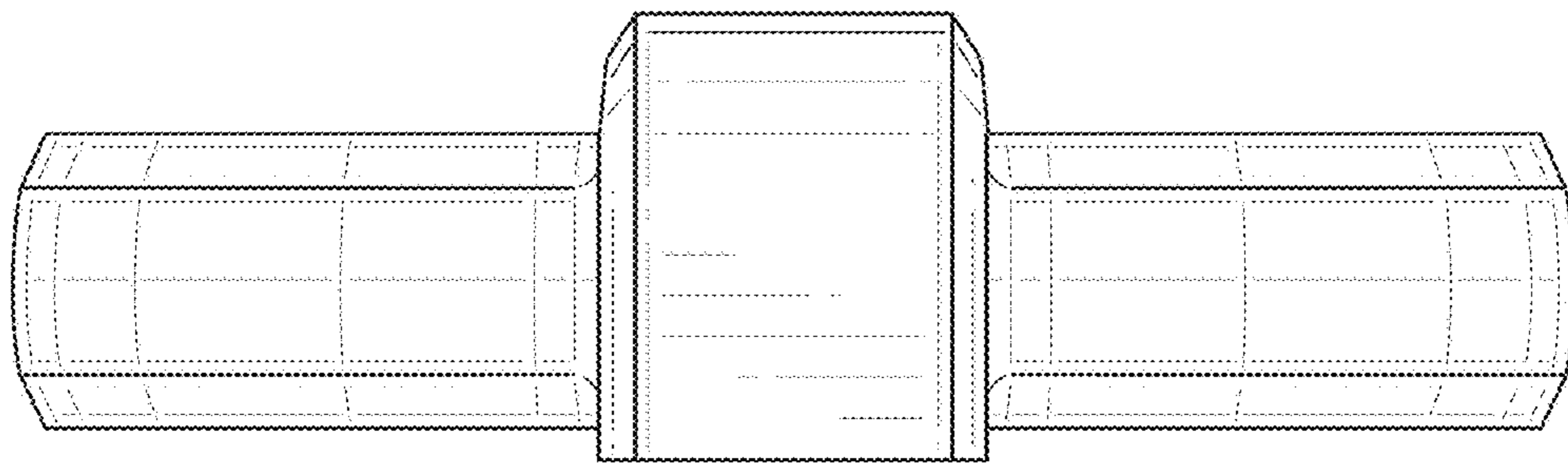


FIG. 5

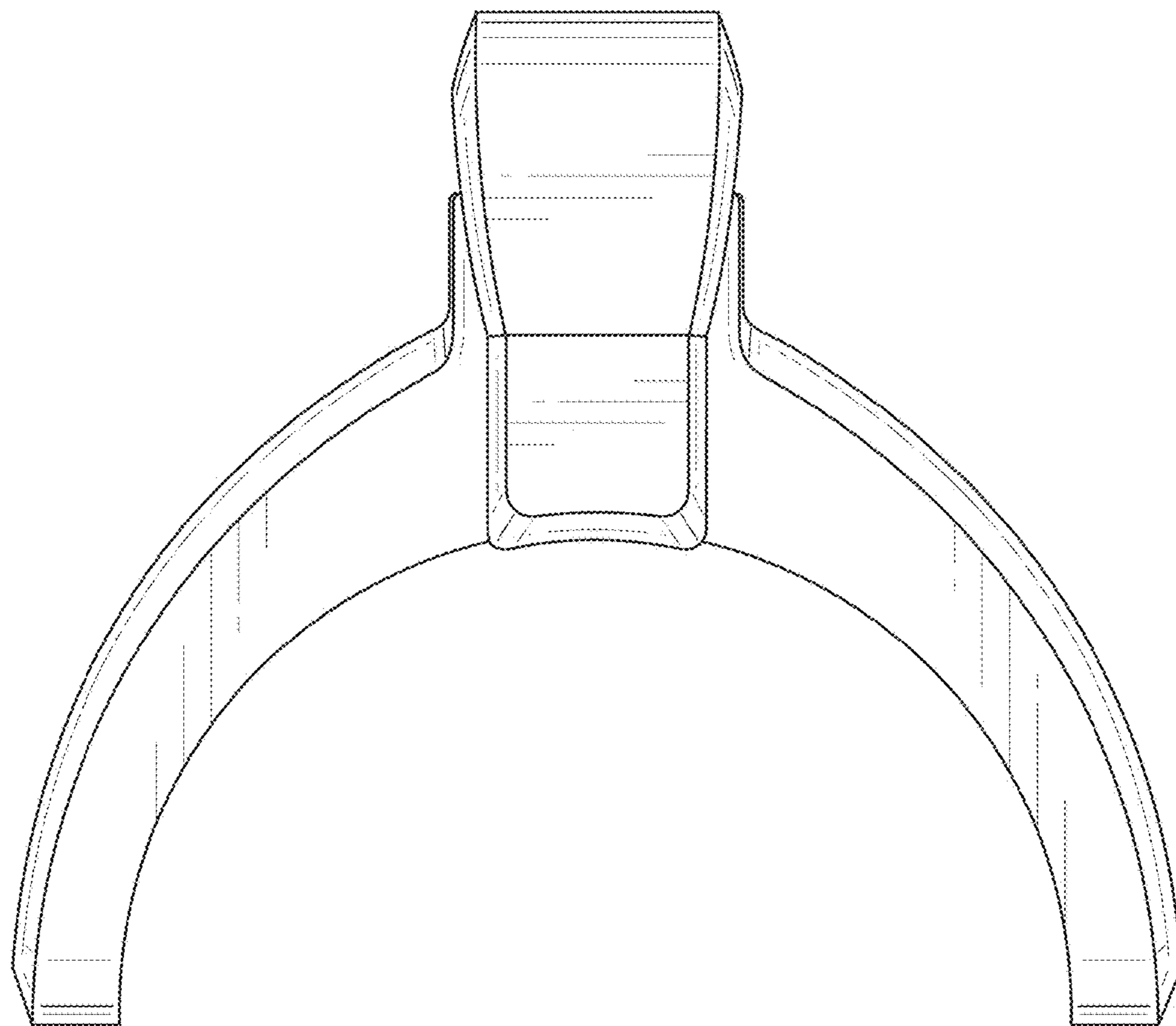


FIG. 6

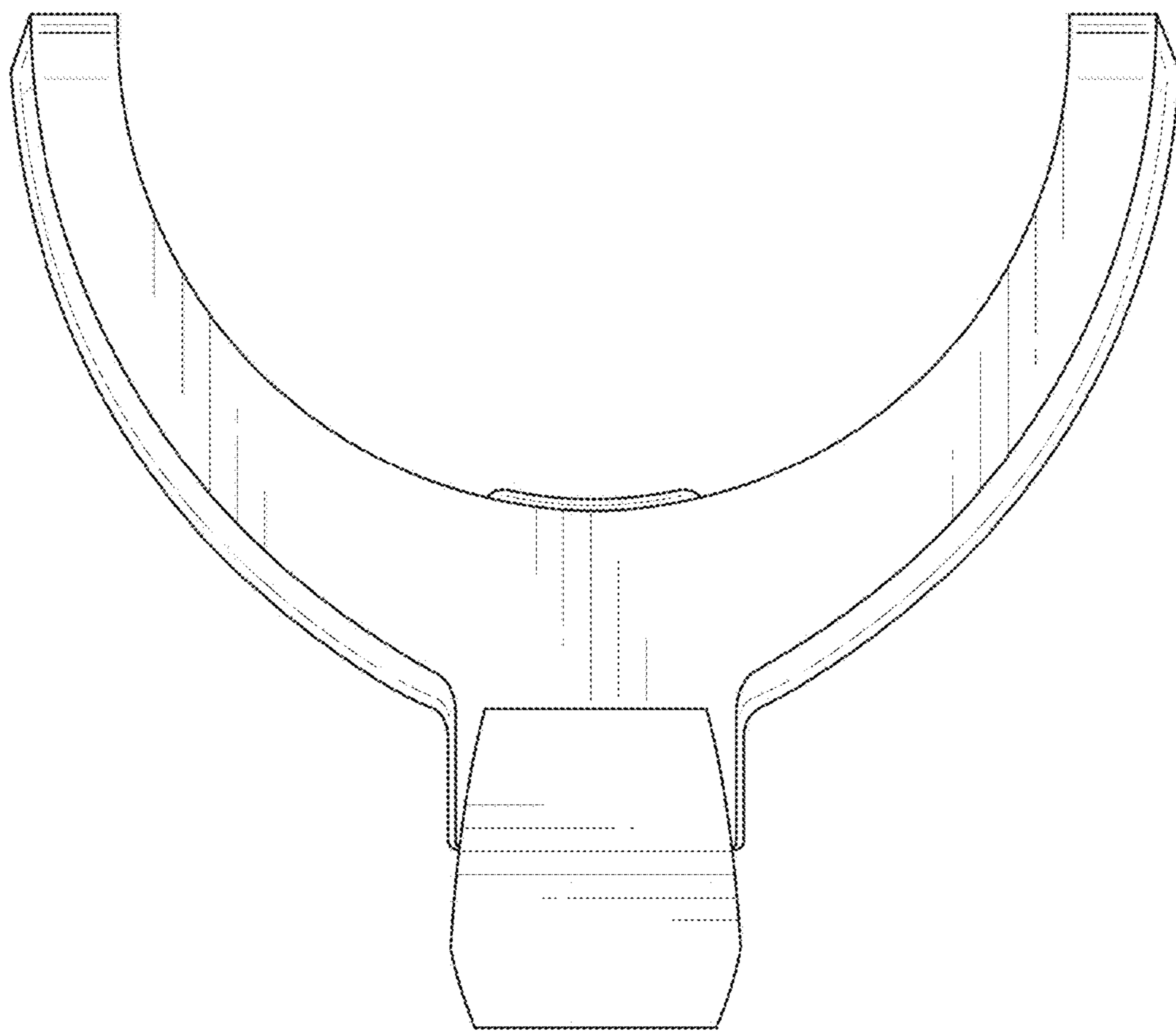


FIG. 7