



US00D837861S

(12) **United States Design Patent**
Luo et al.

(10) **Patent No.:** **US D837,861 S**
(45) **Date of Patent:** **** Jan. 8, 2019**

- (54) **WATERPROOF CAMERA CASE**
- (71) Applicant: **Apeman International Co., Ltd.**,
Shenzhen (CN)
- (72) Inventors: **Tingyuan Luo**, Xinfeng (CN);
Chengdang Peng, GuangDong (CN)
- (73) Assignee: **Apeman International Co., Ltd.**,
Shenzhen (CN)

D702,747 S *	4/2014	Woodman	D16/200
D710,921 S *	8/2014	Gioscia	D16/200
D710,922 S *	8/2014	Gioscia	D16/200
D725,169 S *	3/2015	Gioscia	D16/200
D734,799 S *	7/2015	Woodman	D16/200
D739,451 S *	9/2015	Gioscia	D16/200
D750,146 S *	2/2016	Costa	D16/200
D776,741 S *	1/2017	Parfitt	D16/204
D804,560 S *	12/2017	Costa	D16/200
D808,163 S *	1/2018	Song	D3/269
2009/0317069 A1 *	12/2009	Yim	G03B 17/08 396/27

(**) Term: **15 Years**

* cited by examiner

(21) Appl. No.: **29/611,556**

Primary Examiner — Philip S Hyder

(22) Filed: **Jul. 22, 2017**

Assistant Examiner — Ramzi S Almatrahi

(51) **LOC (11) Cl.** **16-01**

(74) *Attorney, Agent, or Firm* — JiangIP LLC; Yanling Jiang

(52) **U.S. Cl.**

USPC **D16/200**

(58) **Field of Classification Search**

USPC D16/200, 202–204, 208, 211, 218, 219,
D16/237, 242; D3/263, 267, 268;
248/176.1, 187.1; 348/81, 360, 373–376,
348/835; 396/25, 27–29, 419, 535,
396/539–541

CPC G03B 15/03; G03B 17/02; G03B 17/04;
G03B 17/08; G03B 17/56; G03B 19/04;
H04N 5/2251; H04N 5/2252; H04N
5/2253; H04N 5/2254; A45C 11/38

See application file for complete search history.

(57) **CLAIM**

The ornamental design for a waterproof camera case, as shown and described.

DESCRIPTION

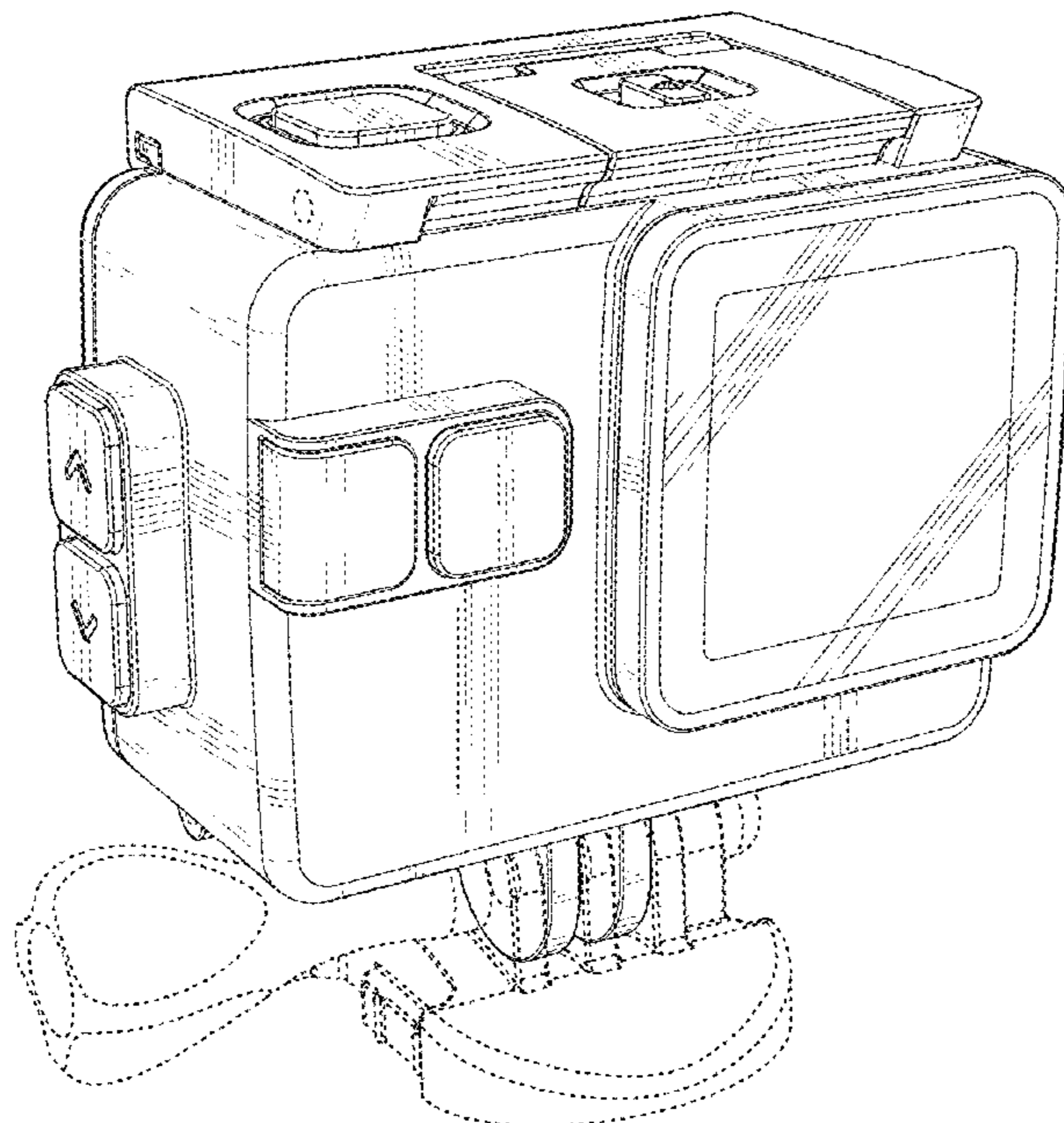
FIG. 1 is a front elevation view of a waterproof camera case; FIG. 2 is a rear elevation view thereof; FIG. 3 is a top plan view thereof; FIG. 4 is a bottom plan view thereof; FIG. 5 is a side elevation view thereof; FIG. 6 is an opposite side elevation view thereof; and, FIG. 7 is a front perspective view thereof. The broken lines depict portions of the waterproof camera case in which the design is embodied that form no part of the claimed design.

(56) **References Cited**

U.S. PATENT DOCUMENTS

8,014,656 B2 *	9/2011	Woodman	B63B 25/002 396/25
D647,554 S *	10/2011	Yim	D16/204

1 Claim, 7 Drawing Sheets



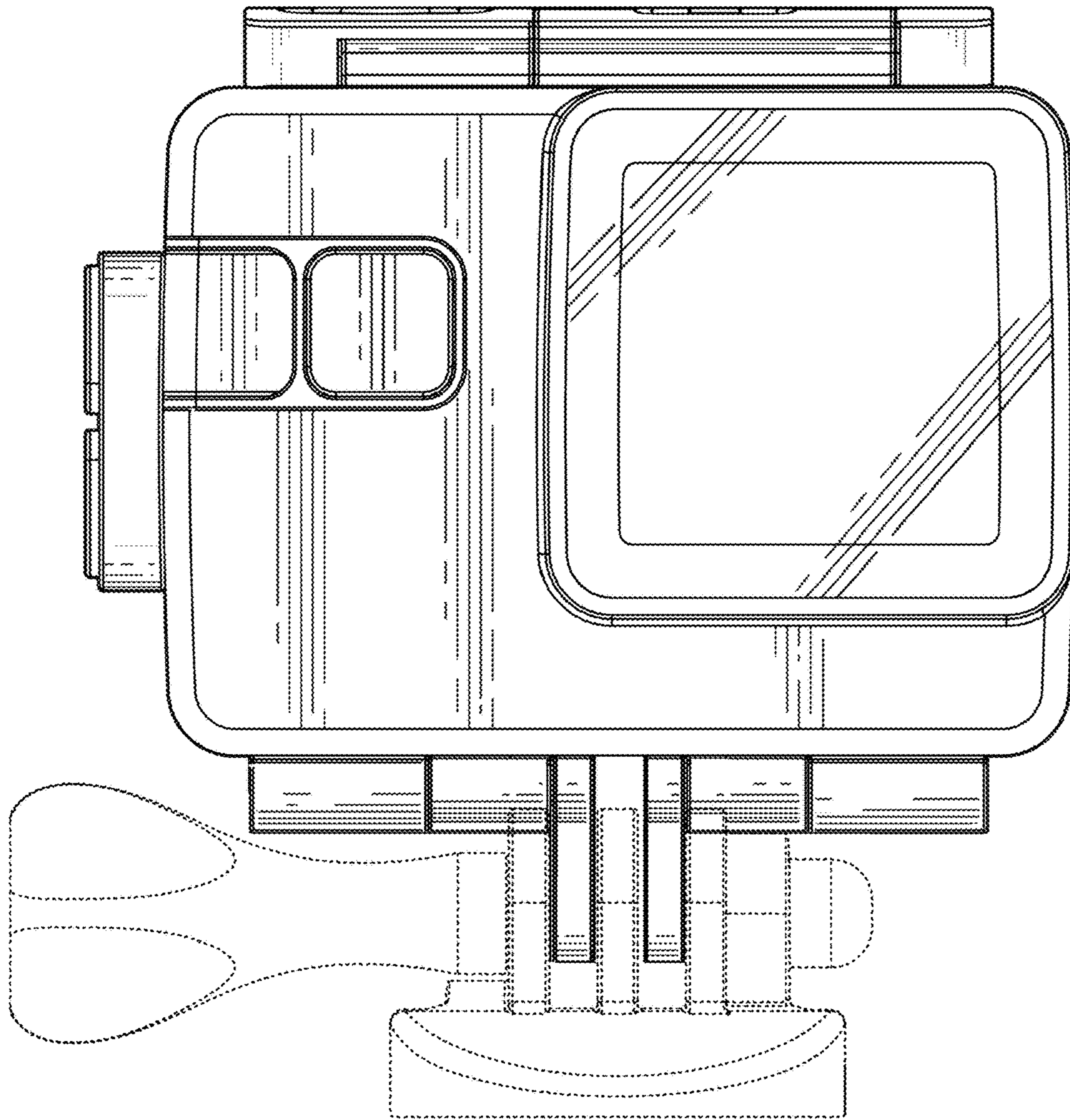


Fig. 1

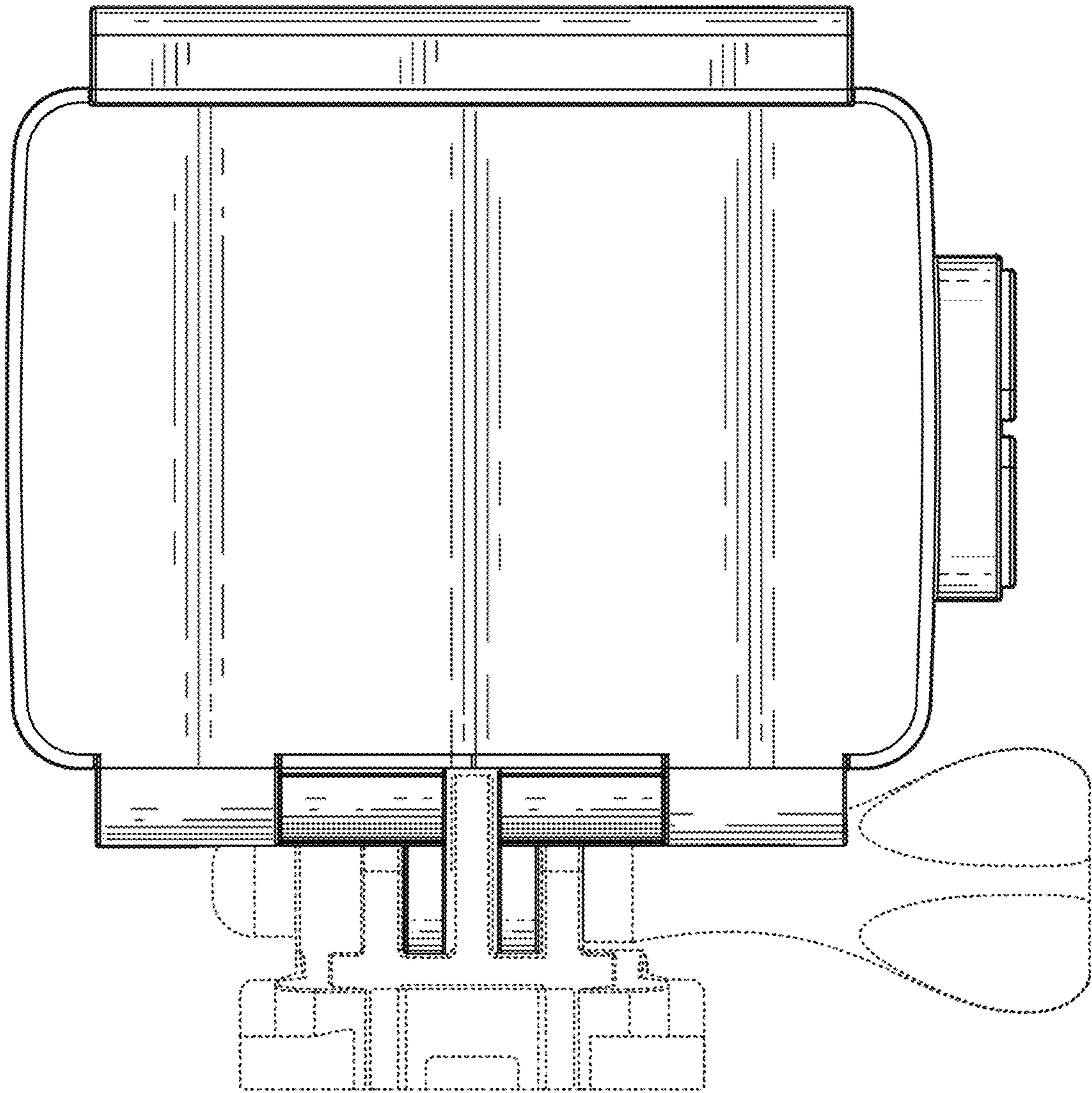


Fig. 2

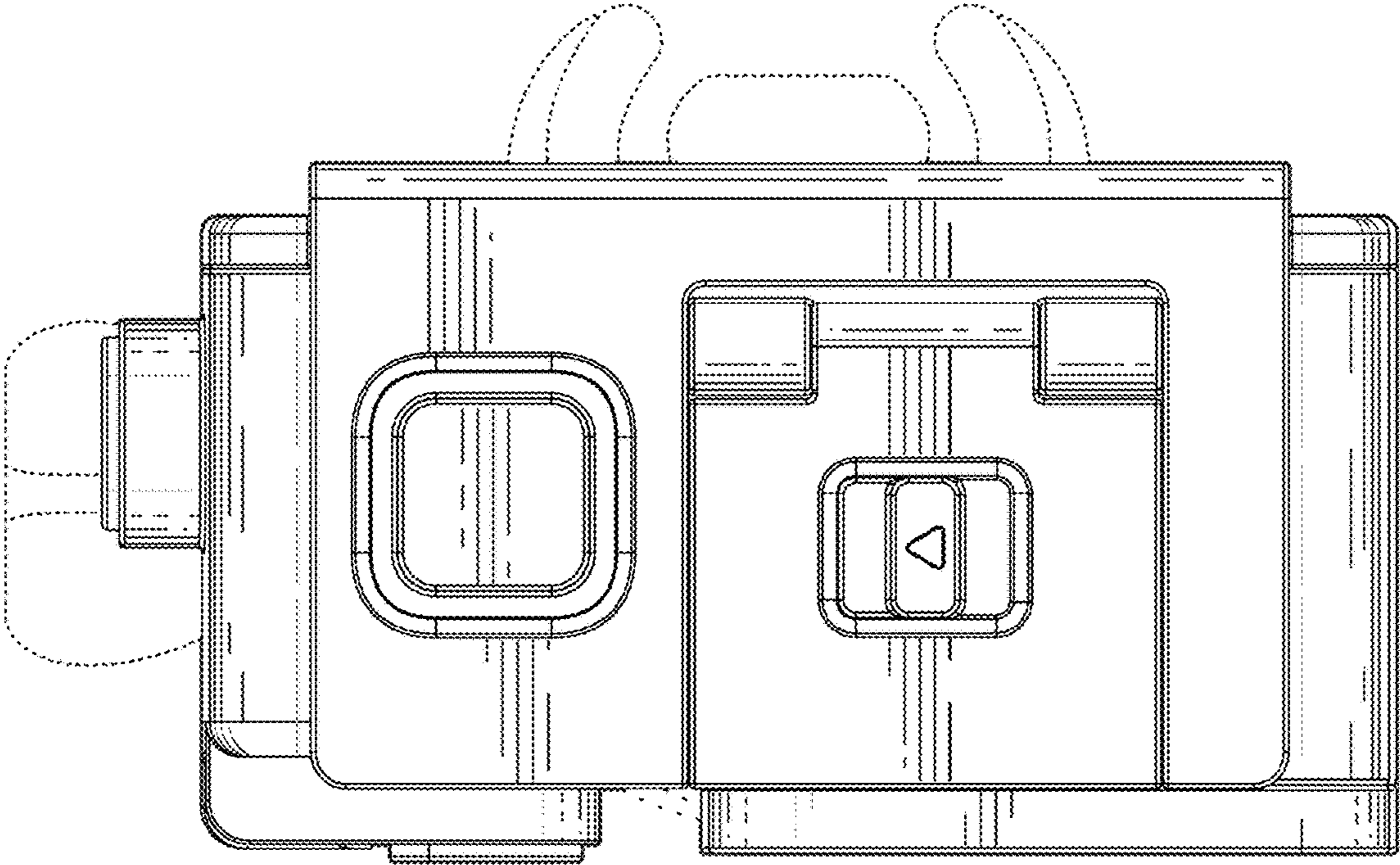


Fig. 3

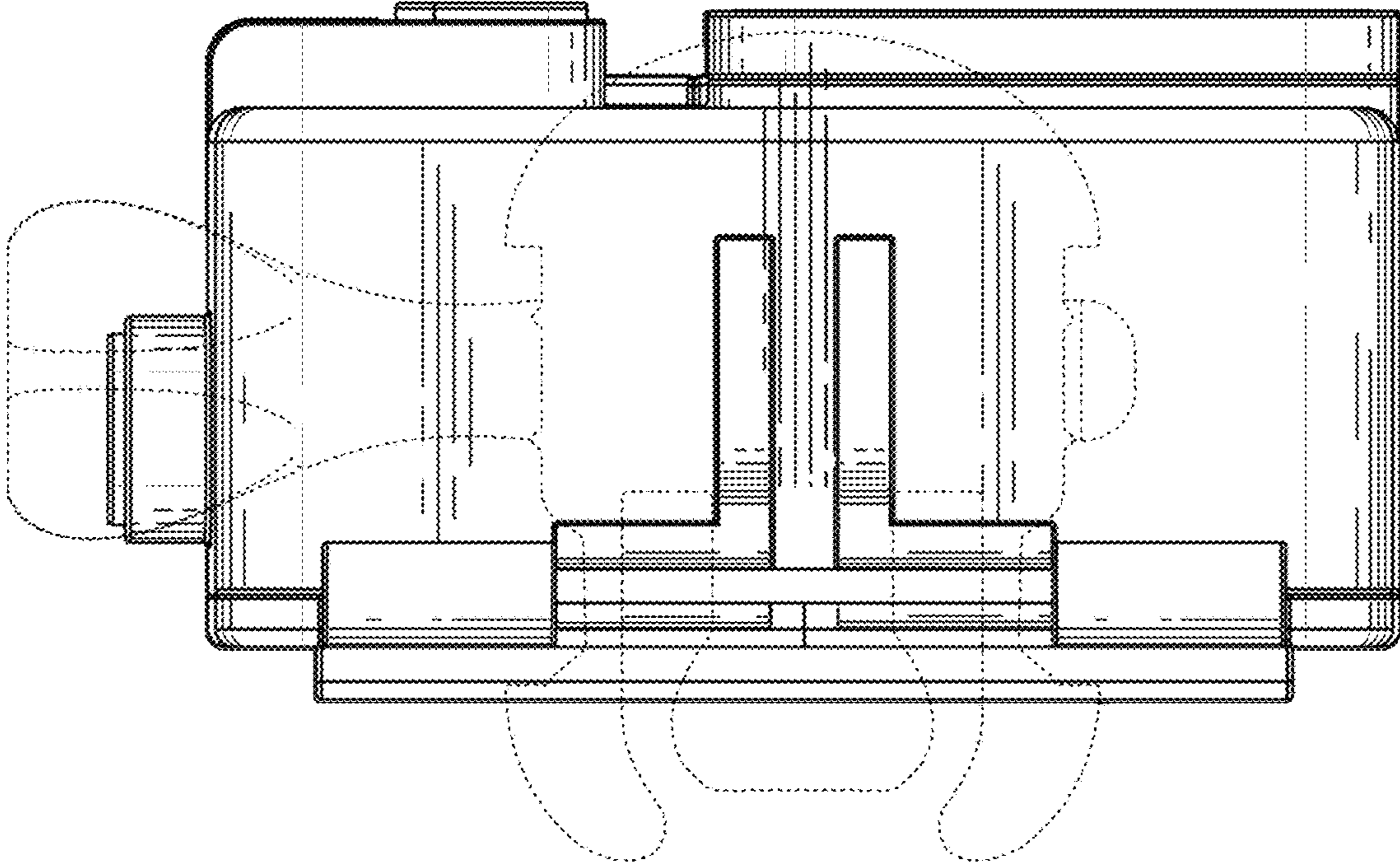


Fig. 4

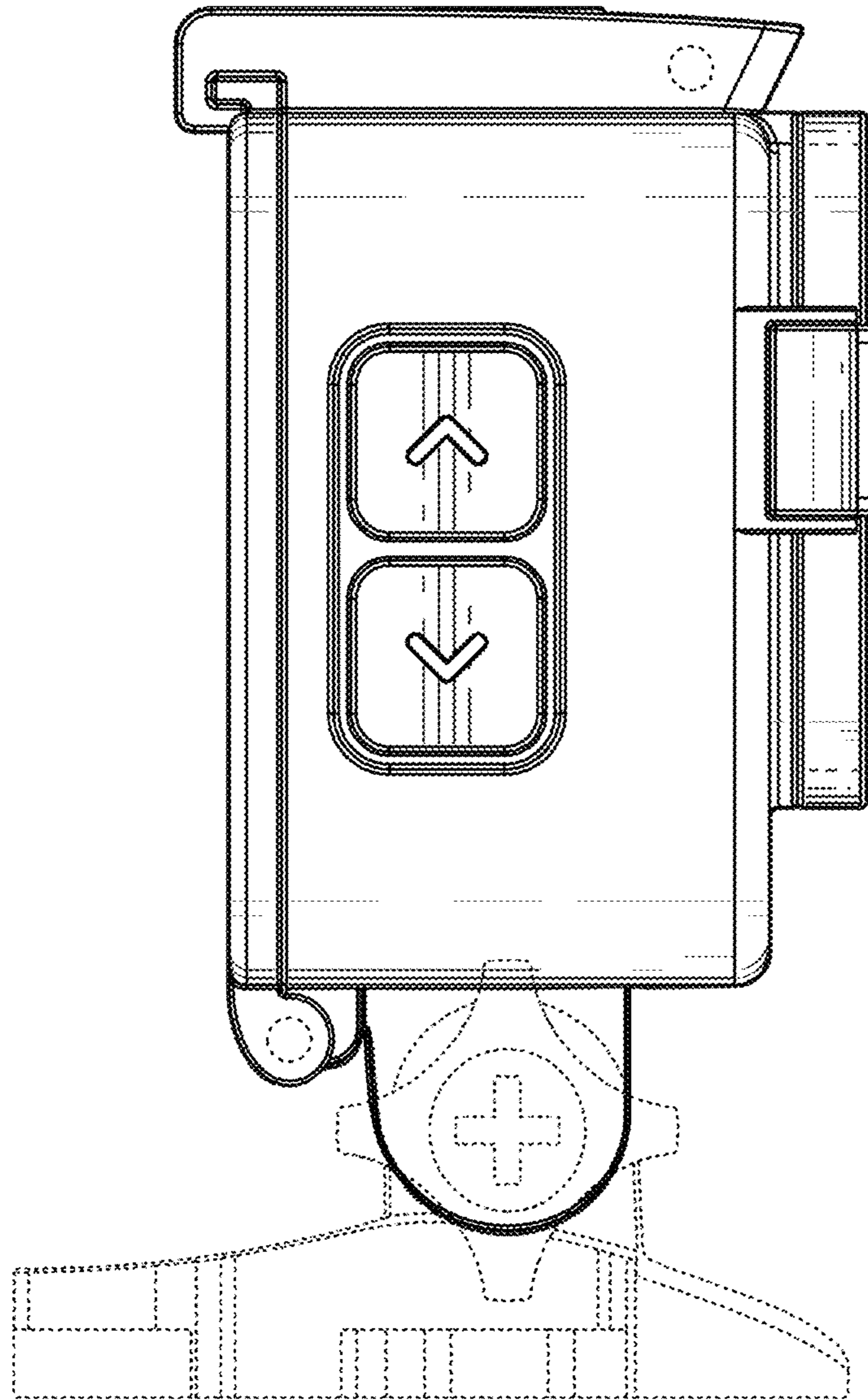


Fig. 5

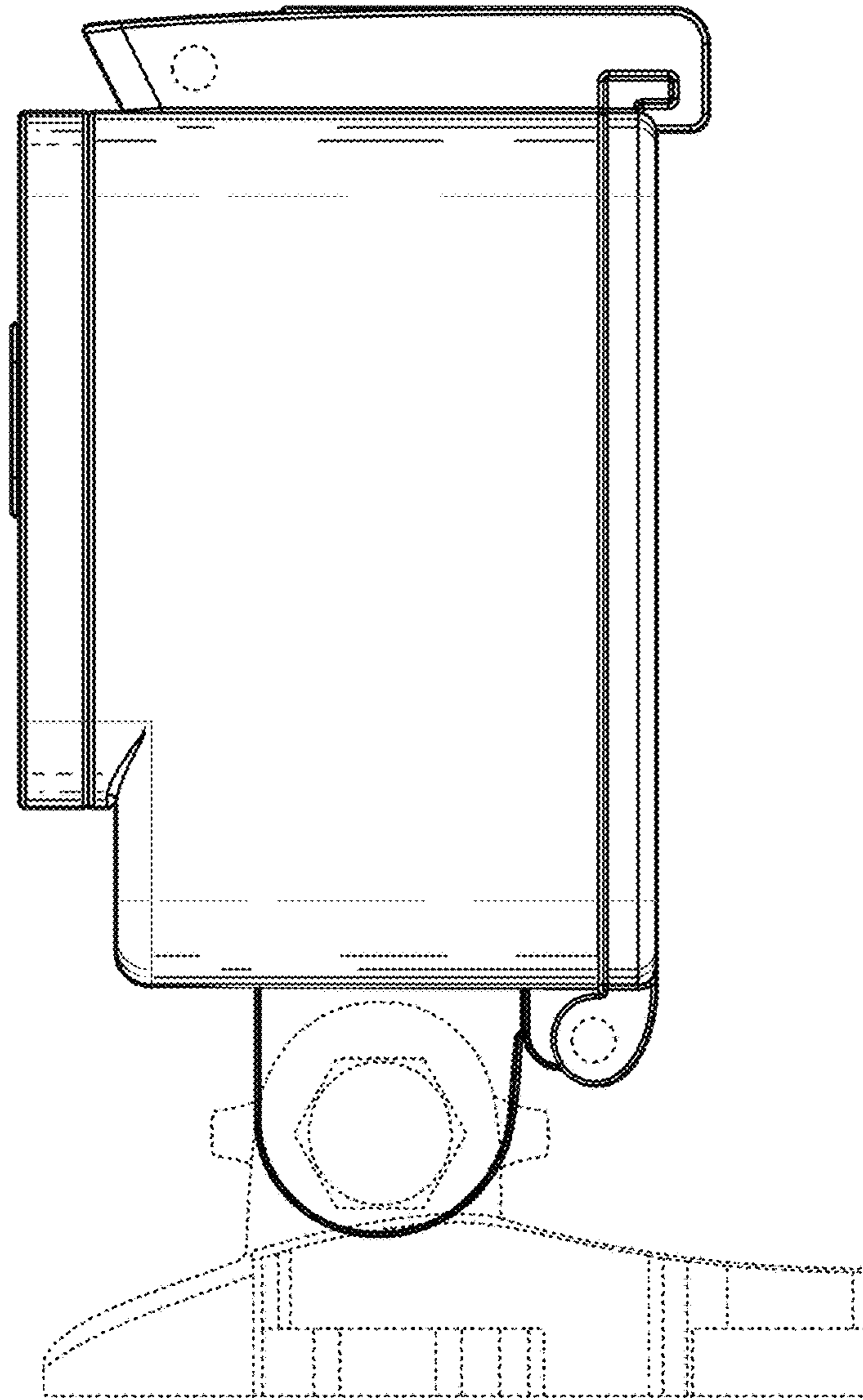


Fig. 6

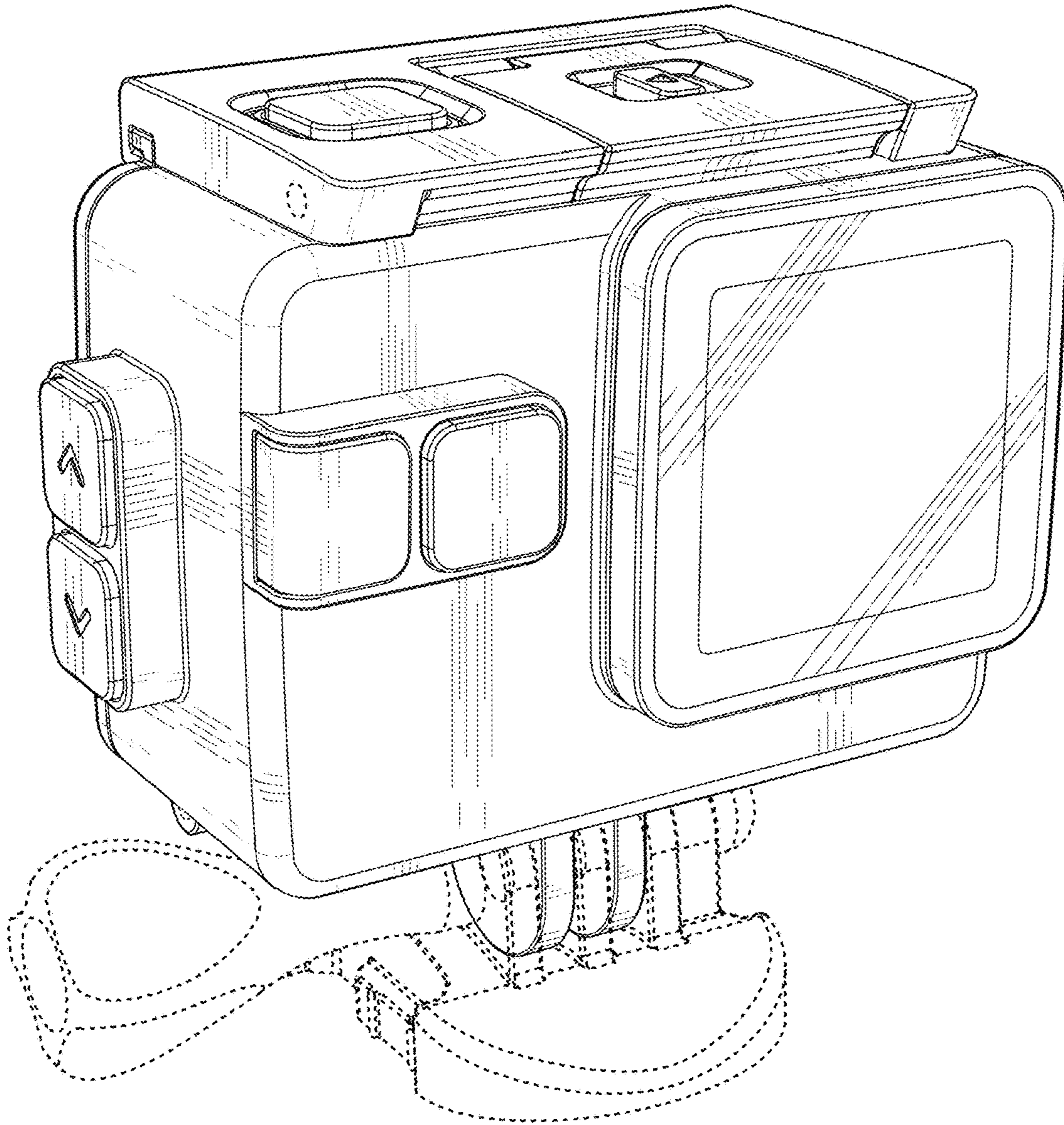


Fig. 7