



US00D837859S

(12) **United States Design Patent**  
**Kameda et al.**

(10) **Patent No.:** **US D837,859 S**  
(45) **Date of Patent:** **\*\* \*Jan. 8, 2019**

(54) **LENS**

(71) Applicant: **ALPS ELECTRIC CO., LTD.**, Tokyo (JP)

(72) Inventors: **Hiroshi Kameda**, Tokyo (JP);  
**Masanori Takasaka**, Tokyo (JP);  
**Katsuhiko Hosono**, Tokyo (JP)

(73) Assignee: **ALPS ELECTRIC CO., LTD.**, Tokyo (JP)

(\*) Notice: This patent is subject to a terminal disclaimer.

(\*\*) Term: **15 Years**

(21) Appl. No.: **29/611,481**

(22) Filed: **Jul. 21, 2017**

(30) **Foreign Application Priority Data**

Jan. 25, 2017 (JP) ..... 2017-001175

(51) **LOC (11) Cl.** ..... **16-06**

(52) **U.S. Cl.**  
USPC ..... **D16/134**

(58) **Field of Classification Search**  
USPC ..... D16/134, 100, 130, 135, 136, 200, 202,  
D16/204, 218, 219, 237; D24/17, 66,  
D24/64.1  
CPC ..... E06B 9/24; G03B 17/02; C03B 2215/46;  
G02B 2003/0093; G02B 3/04  
See application file for complete search history.

(56) **References Cited**

**U.S. PATENT DOCUMENTS**

D286,092 S \* 10/1986 Weimar ..... D16/100  
D328,753 S \* 8/1992 Surber ..... D16/132

D418,288 S \* 1/2000 Priebe ..... D3/201  
D431,907 S \* 10/2000 Andujar ..... D19/75  
D479,853 S \* 9/2003 Hwang ..... D18/56  
D496,379 S \* 9/2004 Do ..... D16/134  
D698,540 S \* 2/2014 Priebe ..... D3/203.3  
D777,419 S \* 1/2017 Noble ..... D3/203.3  
D788,202 S \* 5/2017 Kameda ..... D16/134

**FOREIGN PATENT DOCUMENTS**

JP 2003-161812 A 6/2003  
JP 2007-279136 A 10/2007  
JP 2009-001483 A 1/2009

\* cited by examiner

*Primary Examiner* — John Windmuller

*Assistant Examiner* — Benjamin M Weeks

(74) *Attorney, Agent, or Firm* — Brinks Gilson & Lione

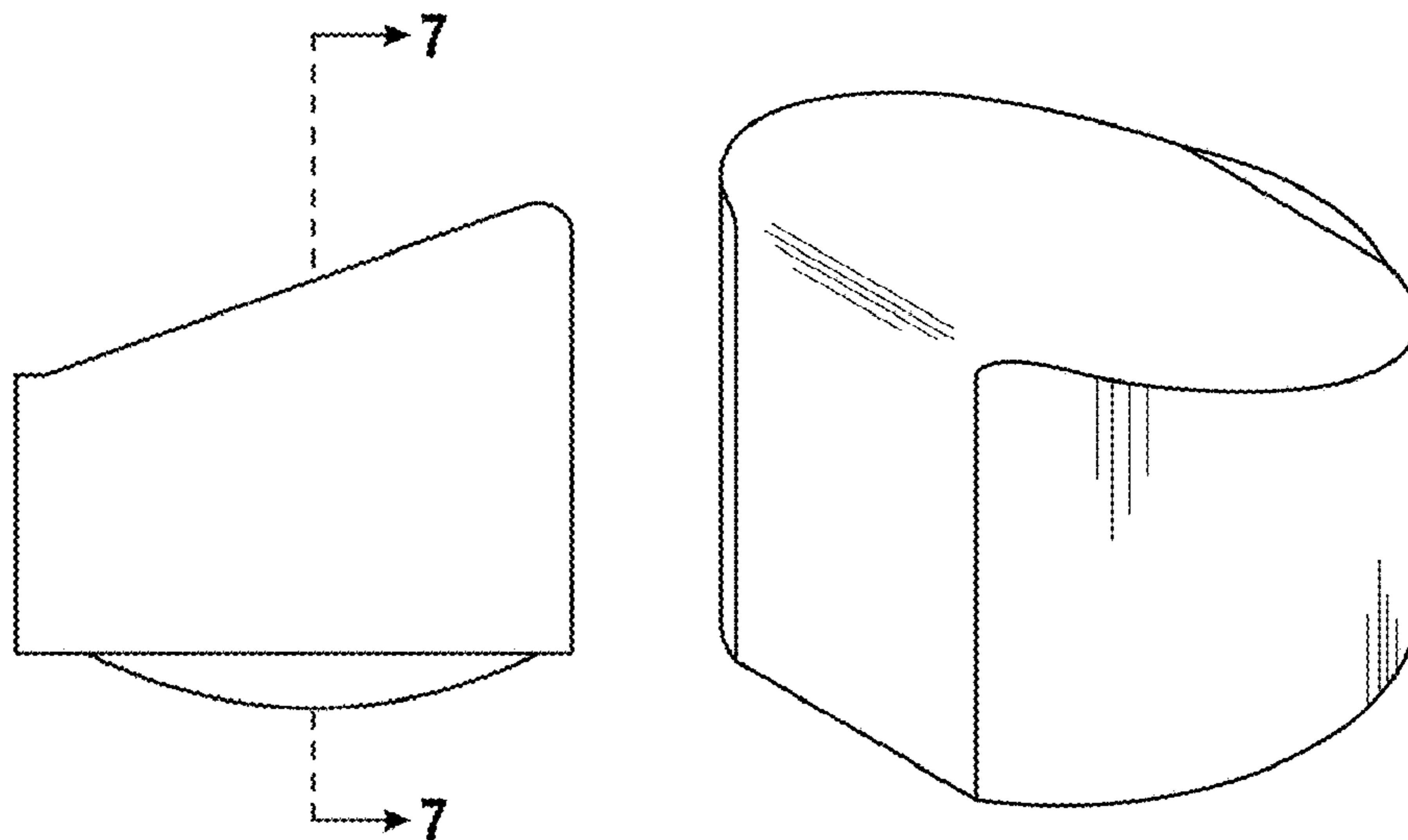
(57) **CLAIM**

The ornamental design for an lens, as shown and described.

**DESCRIPTION**

FIG. 1 is a front view of a lens showing our new design;  
FIG. 2 is a rear view thereof;  
FIG. 3 is a top view thereof;  
FIG. 4 is a bottom view thereof;  
FIG. 5 is a left side view thereof; the right side view being a mirror image thereof;  
FIG. 6 is a sectional view taken along line 6-6 in FIG. 1;  
FIG. 7 is a sectional view taken along line 7-7 in FIG. 5;  
FIG. 8 is a perspective view as seen from the upper front side;  
FIG. 9 is another perspective view as seen from the upper rear side; and,  
FIG. 10 is still another perspective view as seen from the lower front side.

**1 Claim, 4 Drawing Sheets**



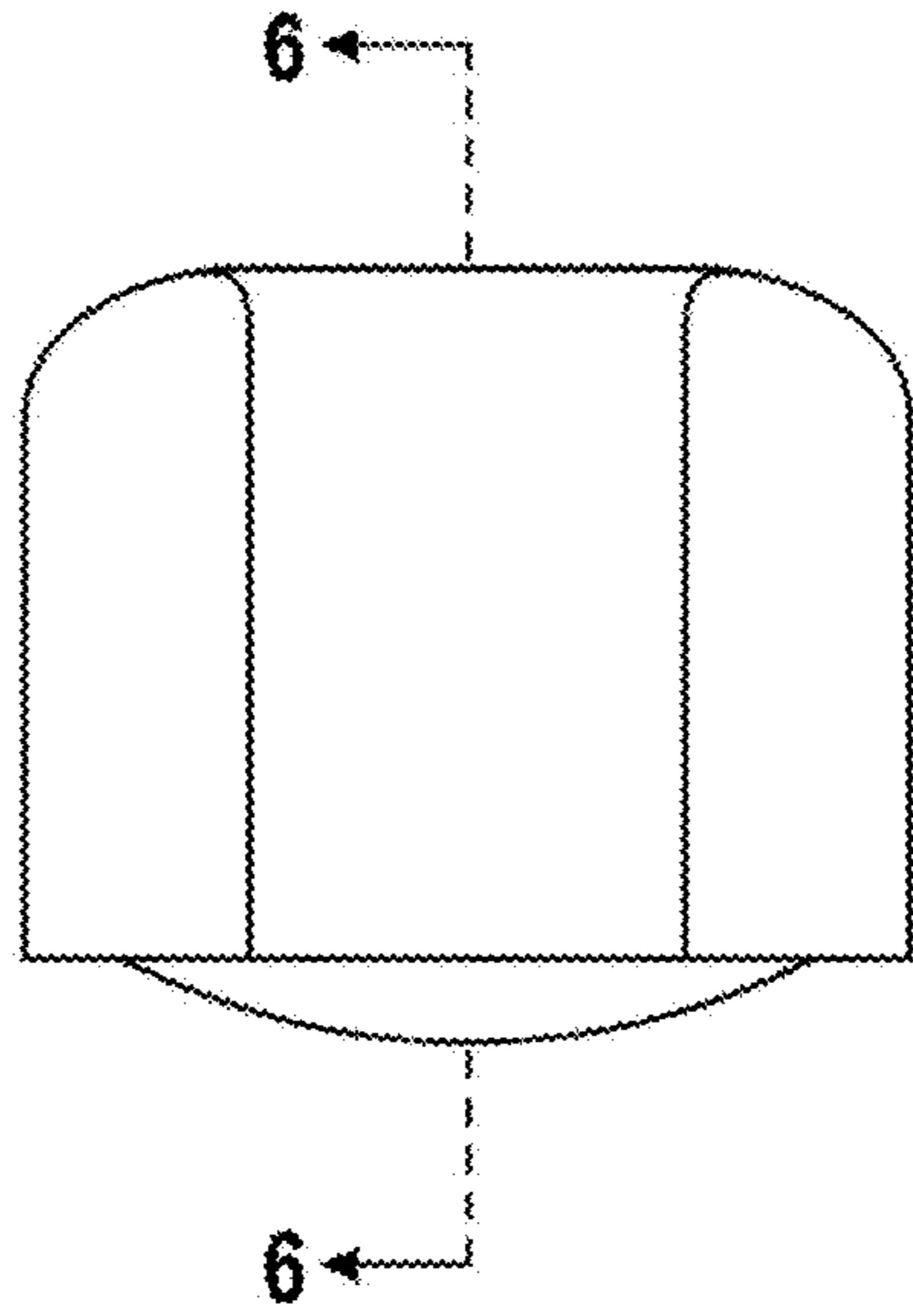


FIG. 1

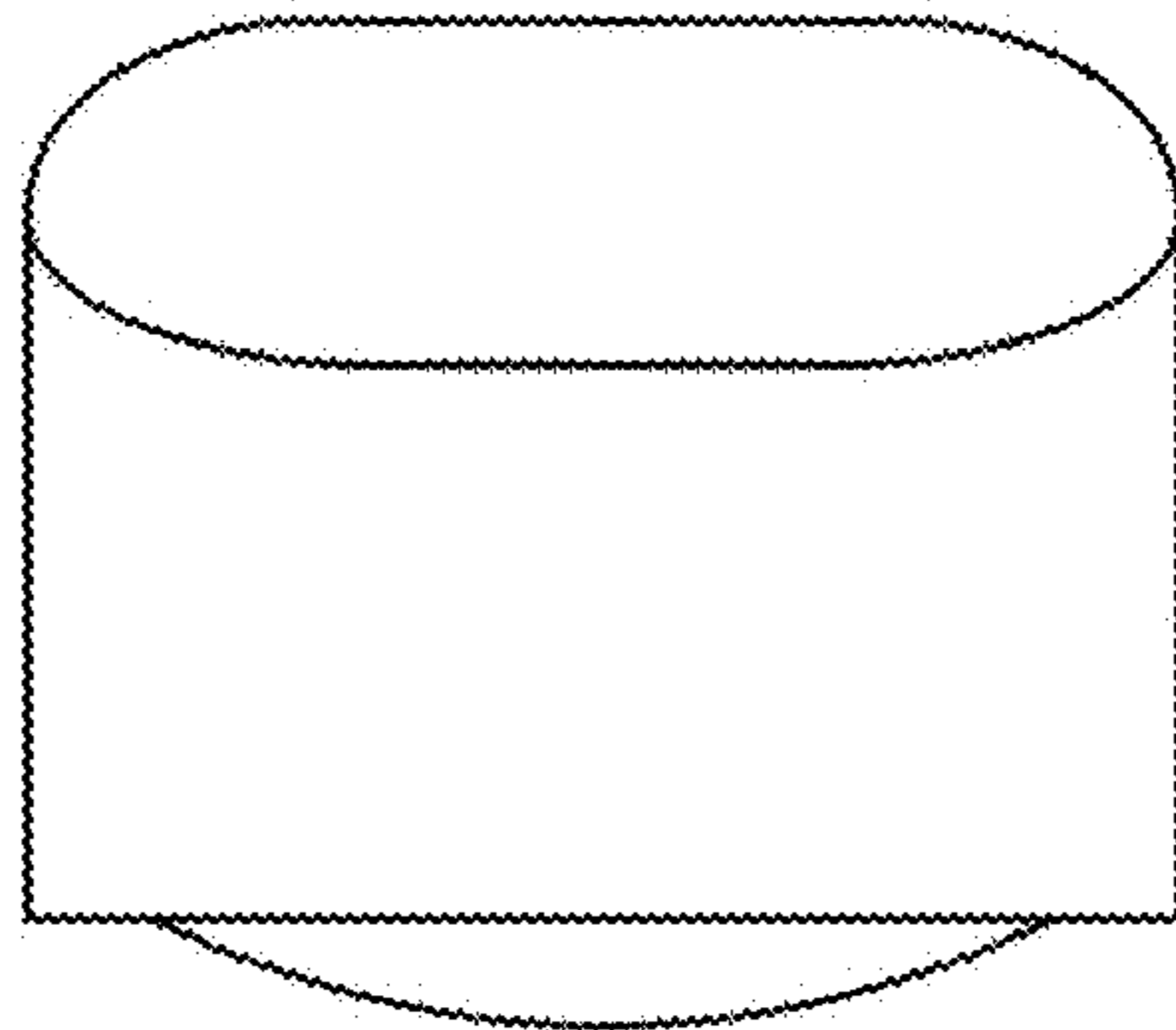


FIG. 2

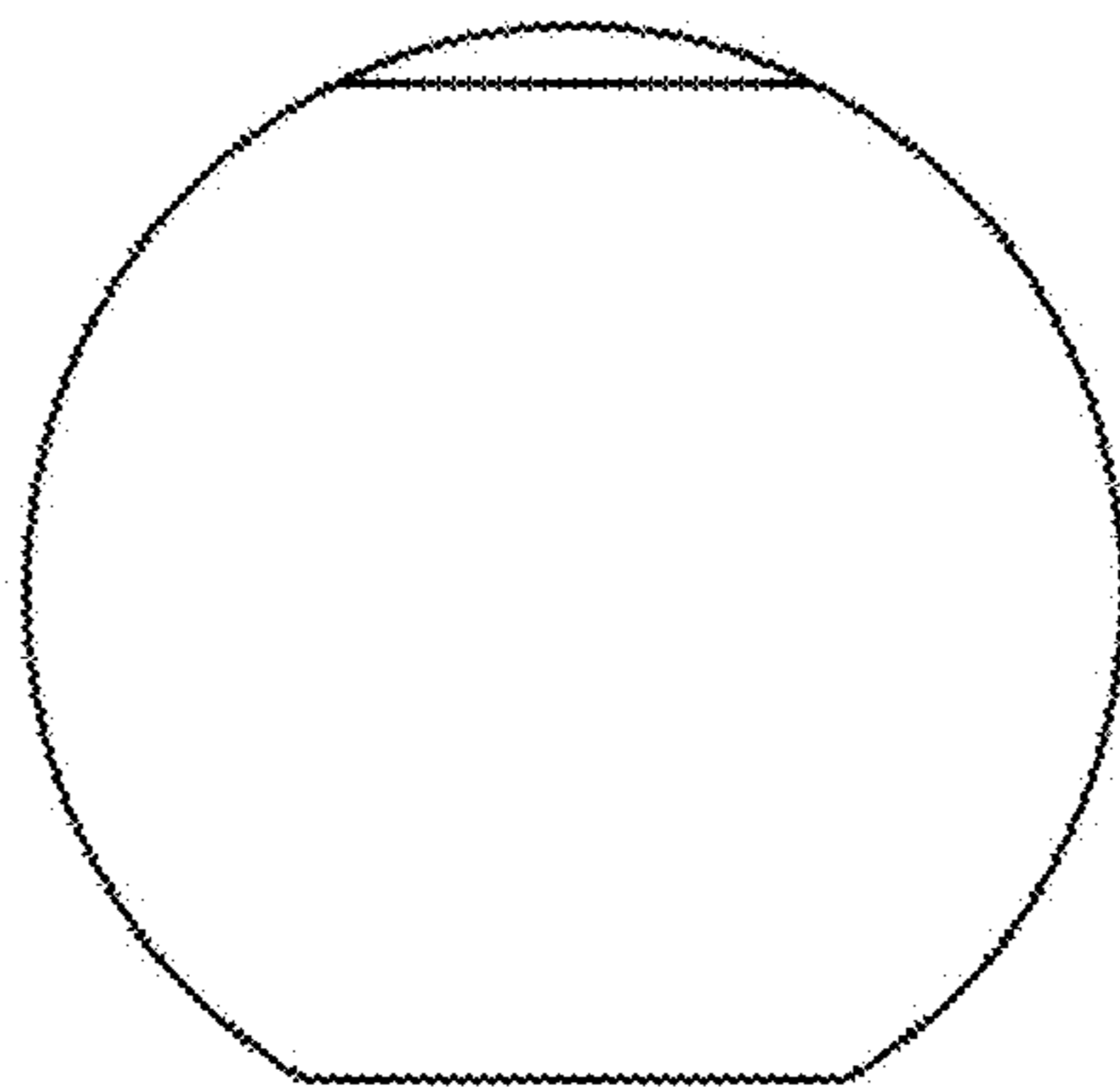


FIG. 3

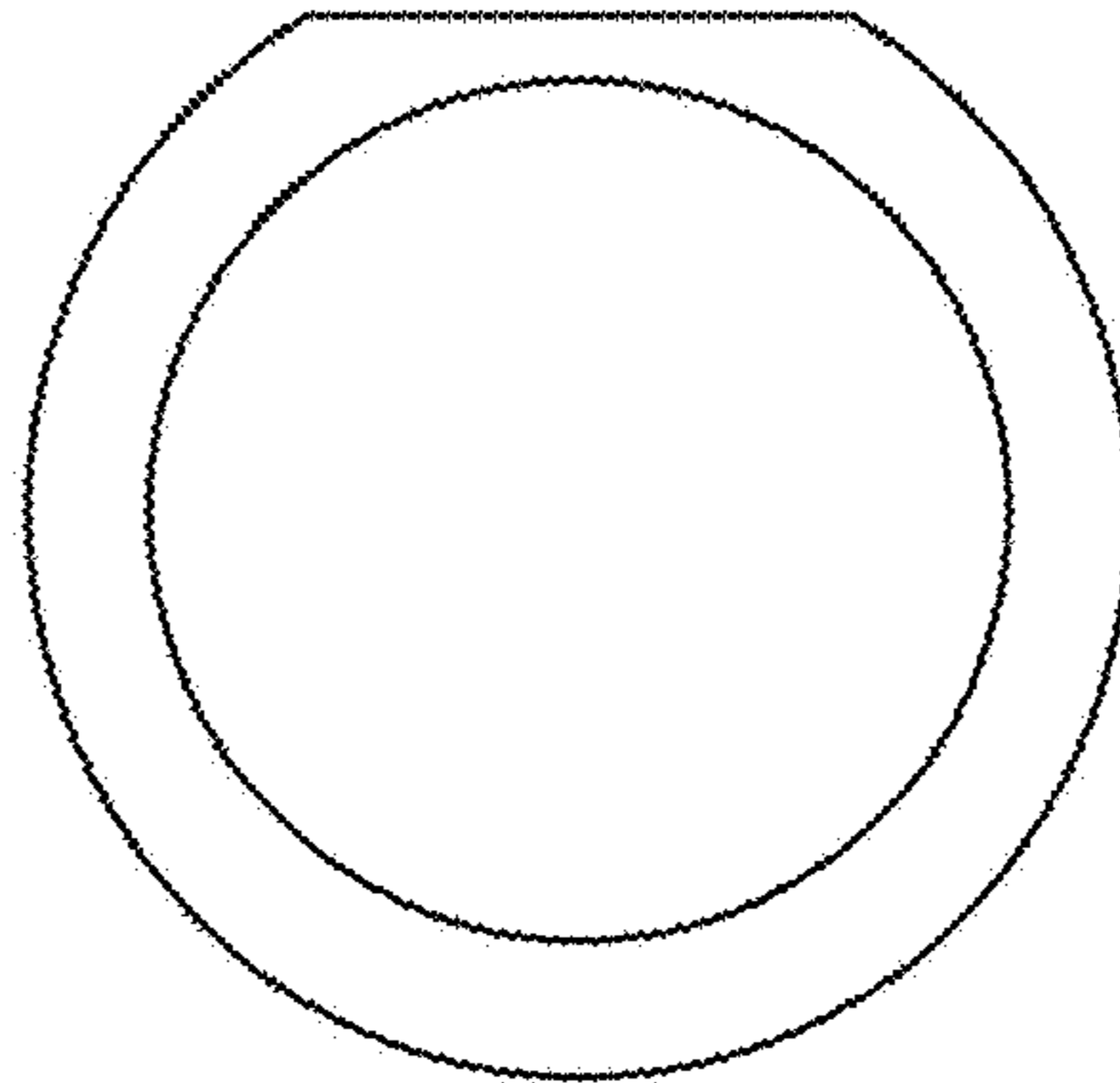


FIG. 4

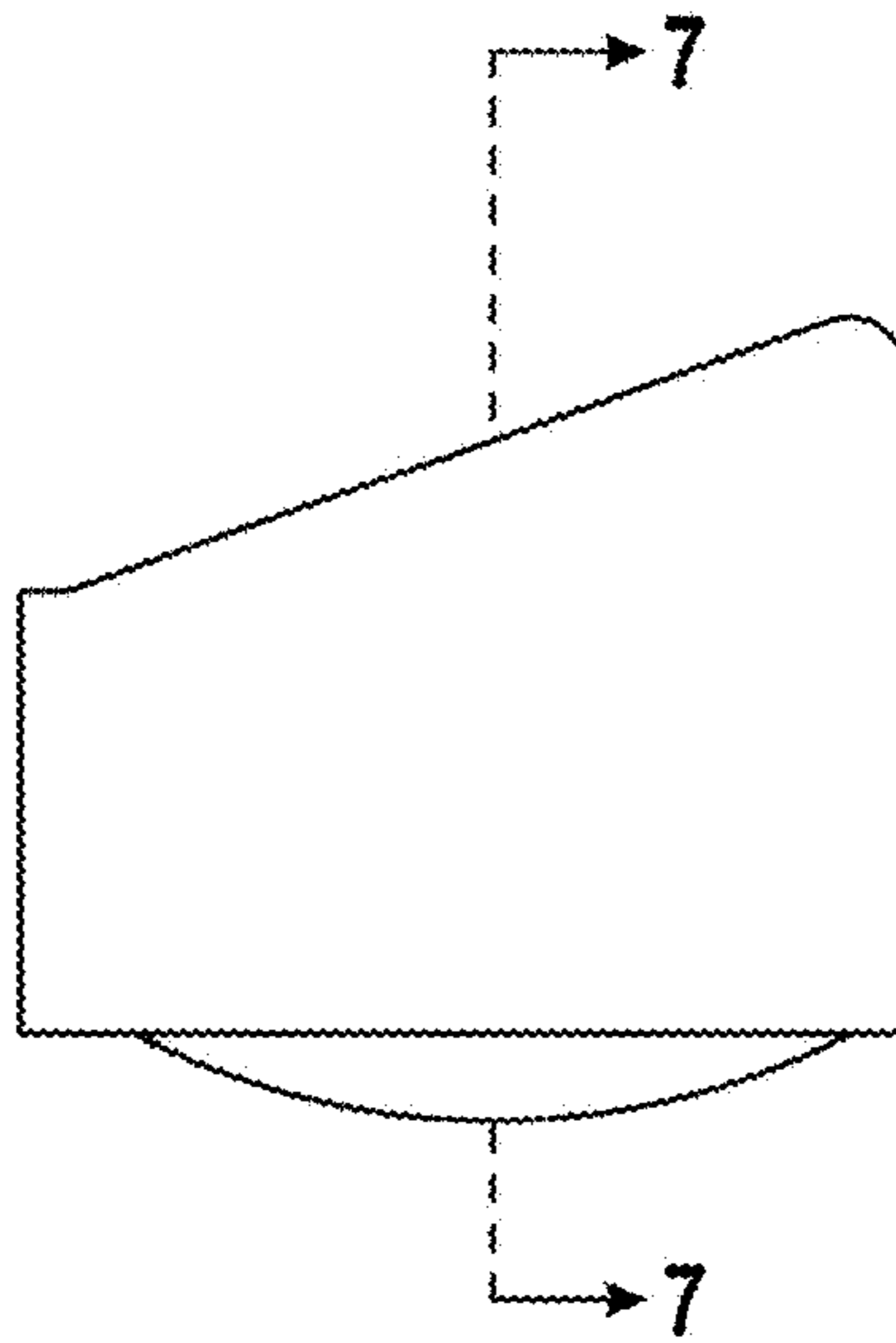


FIG. 5

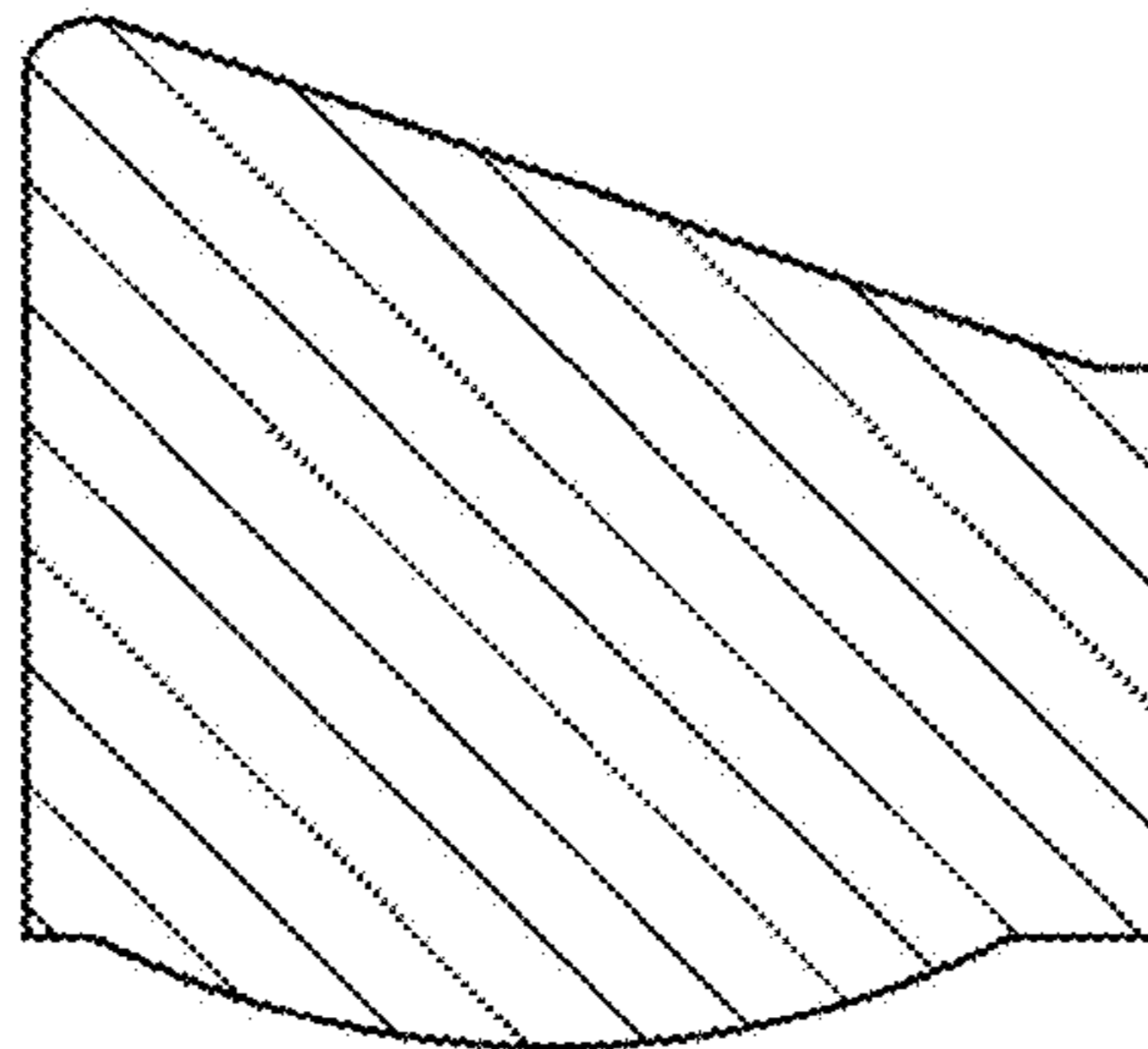


FIG. 6

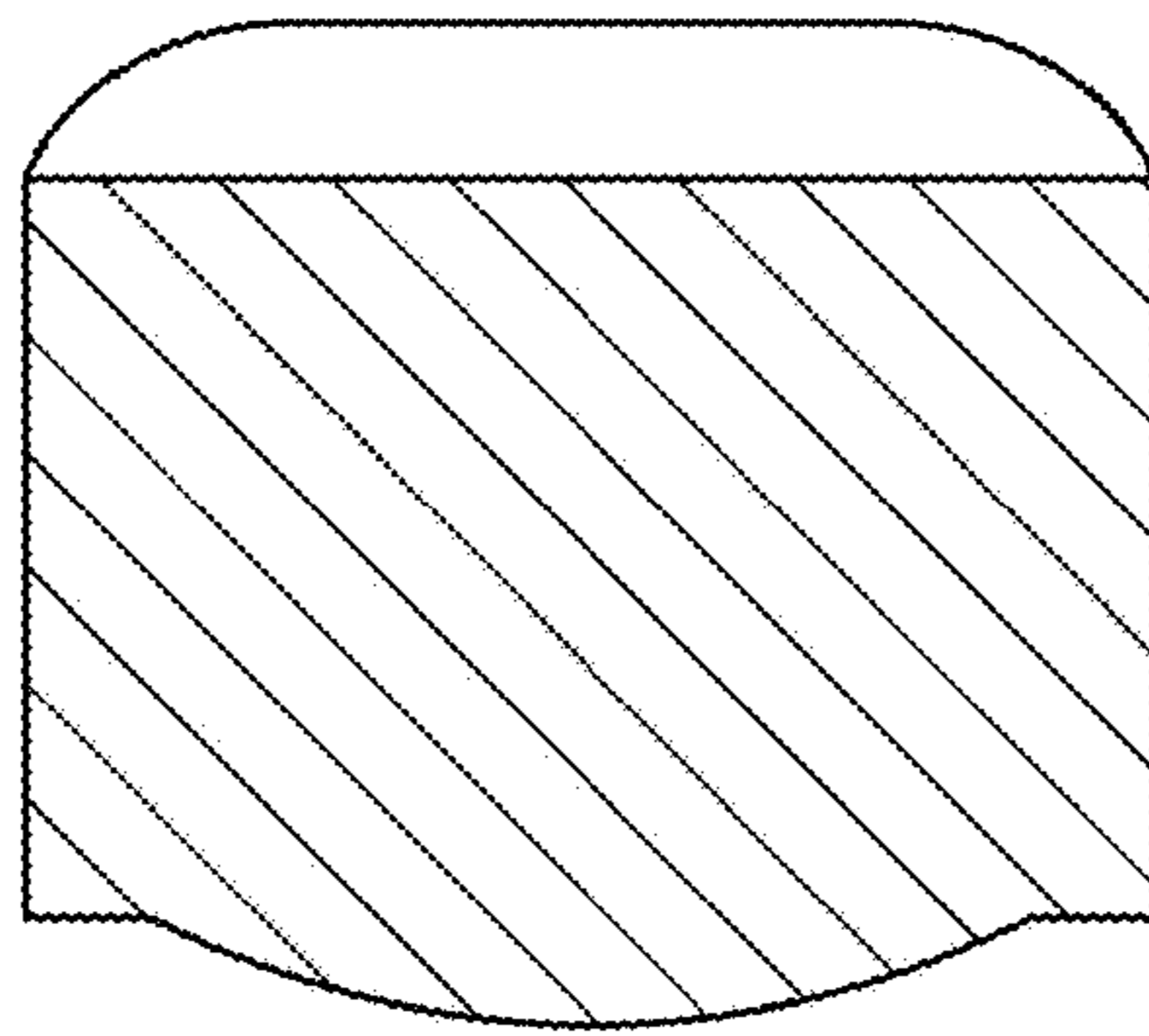


FIG. 7

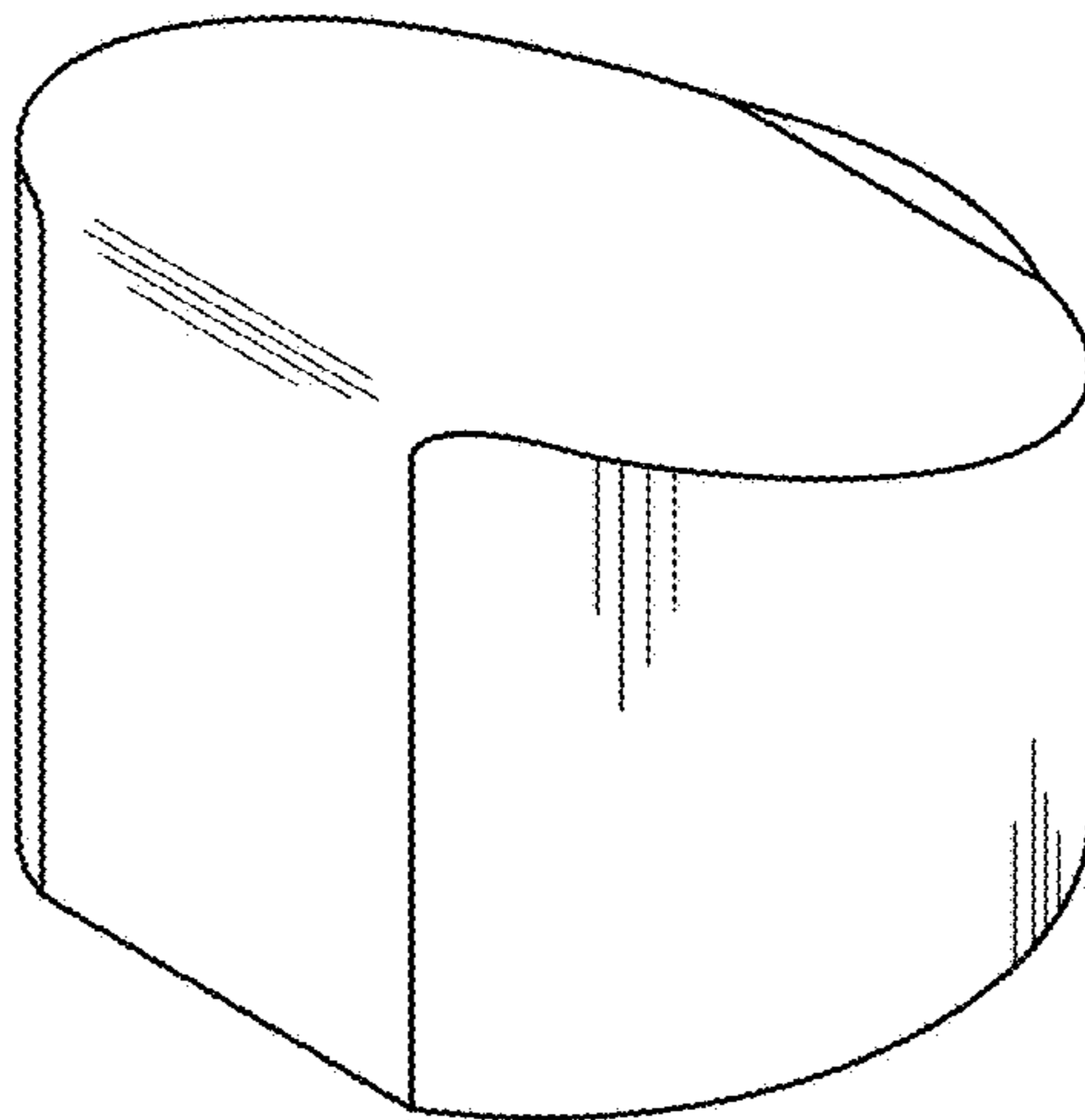


FIG. 8

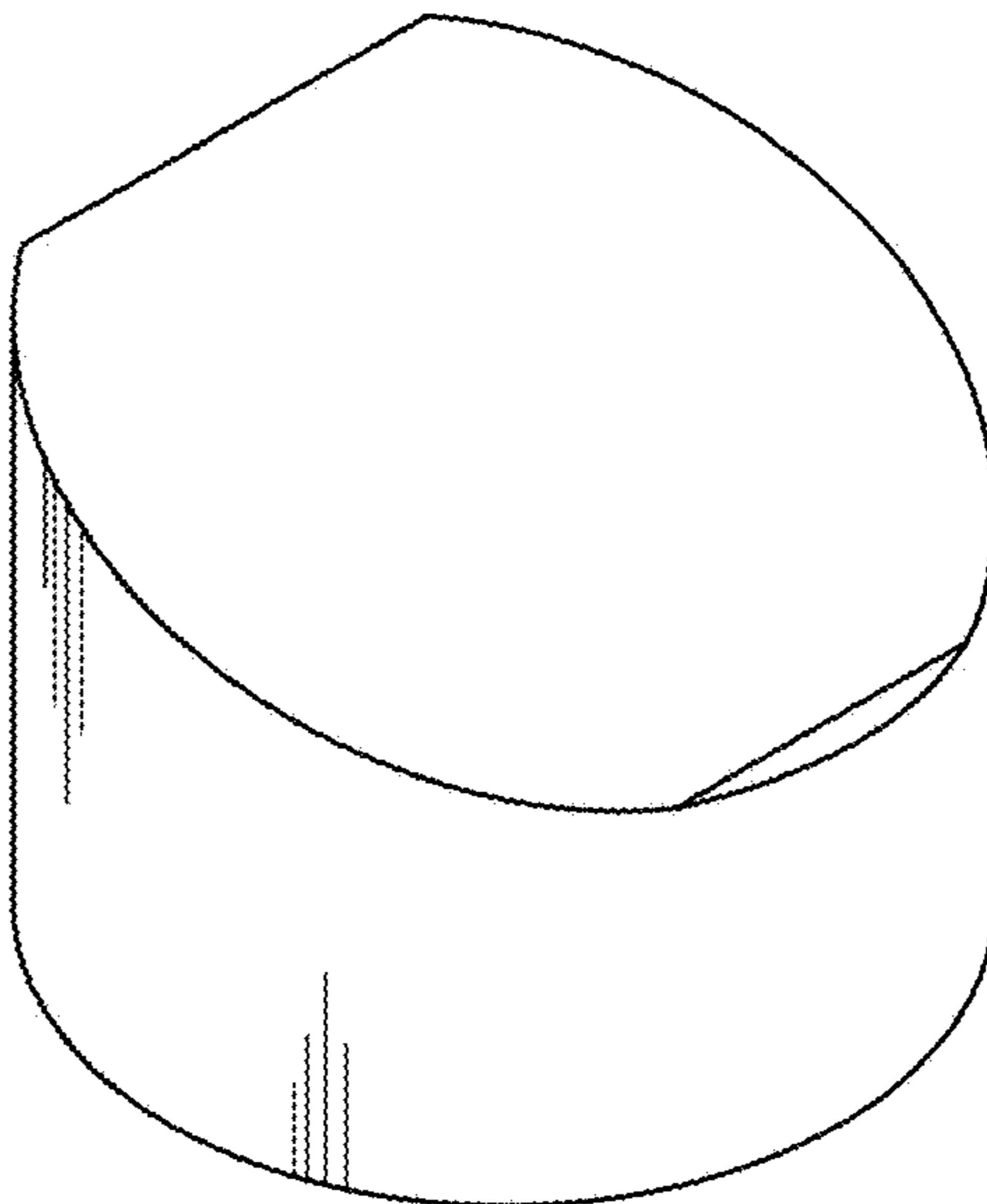


FIG. 9

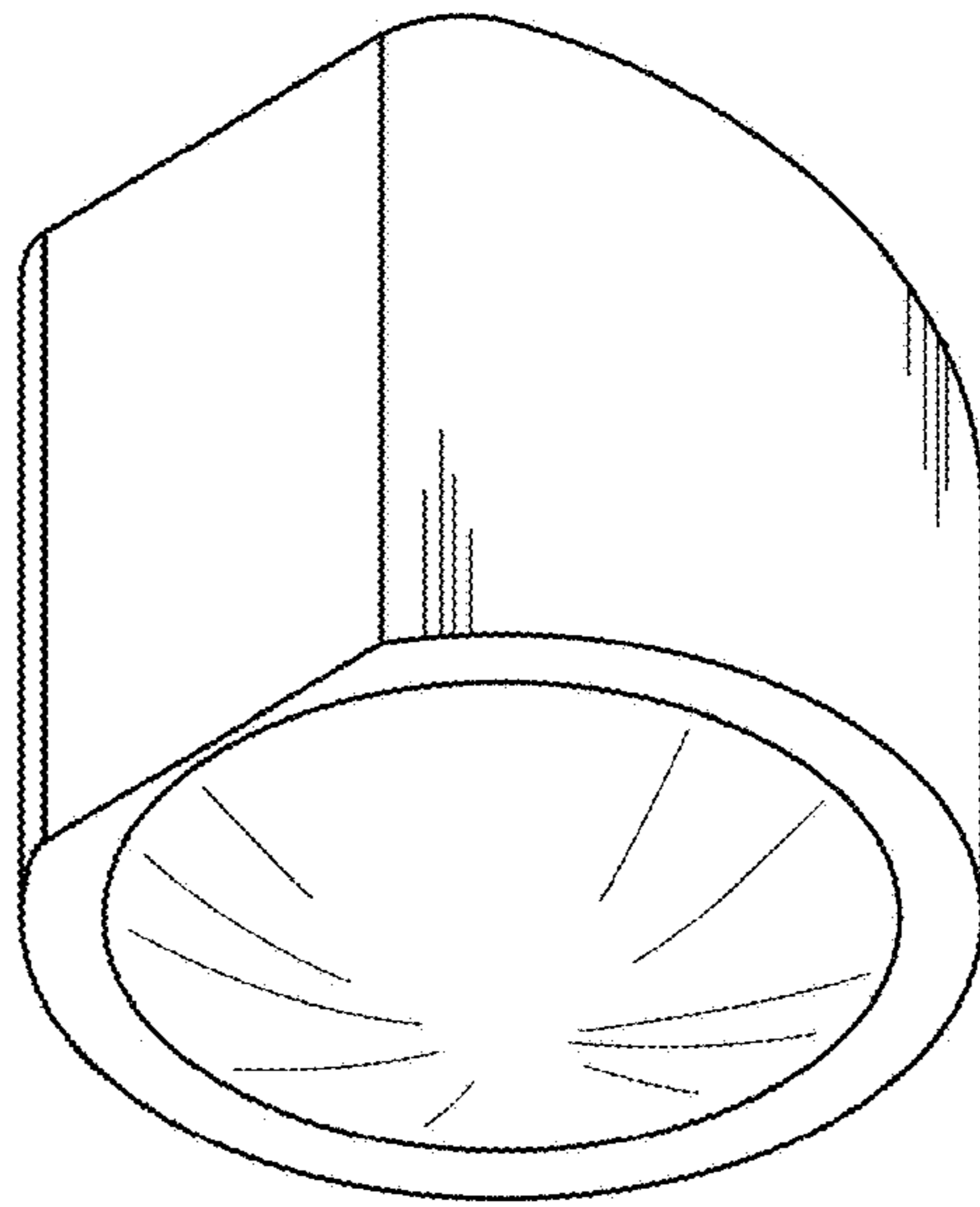


FIG. 10