

US00D837857S

(12) **United States Design Patent**
Kameda et al.

(10) **Patent No.:** **US D837,857 S**

(45) **Date of Patent:** **** *Jan. 8, 2019**

(54) **LENS**

(71) Applicant: **ALPS ELECTRIC CO., LTD.**, Tokyo (JP)

(72) Inventors: **Hiroshi Kameda**, Tokyo (JP);
Katsuhiro Hosono, Tokyo (JP);
Masanori Takasaka, Tokyo (JP)

(73) Assignee: **Alps Electric Co., Ltd.**, Tokyo (JP)

(*) Notice: This patent is subject to a terminal disclaimer.

(**) Term: **15 Years**

(21) Appl. No.: **29/611,424**

(22) Filed: **Jul. 21, 2017**

(30) **Foreign Application Priority Data**

Jan. 25, 2017 (JP) JD2017-1174

(51) **LOC (11) Cl.** **16-06**

(52) **U.S. Cl.**
USPC **D16/134**

(58) **Field of Classification Search**
USPC D16/134, 100, 130, 135, 136, 200, 202,
D16/204, 218, 219, 237; D24/17, 66,
D24/64.1
CPC E06B 9/24; G03B 17/02; C03B 2215/46;
G02B 2003/0093; G02B 3/04
See application file for complete search history.

(56) **References Cited**

U.S. PATENT DOCUMENTS

D286,092 S * 10/1986 Weimar D16/100
D328,753 S * 8/1992 Surber D16/132

D418,288 S * 1/2000 Priebe D3/201
D431,907 S * 10/2000 Andujar D19/75
D479,853 S * 9/2003 Hwang D18/56
D496,379 S * 9/2004 Do D16/134
D698,540 S * 2/2014 Priebe D3/203.3
D777,419 S * 1/2017 Noble D3/203.3
D788,202 S * 5/2017 Kameda D16/134

FOREIGN PATENT DOCUMENTS

JP 2003-161812 A 6/2003
JP 2007-279136 A 10/2007
JP 2009-001483 A 1/2009

* cited by examiner

Primary Examiner — John Windmuller

Assistant Examiner — Benjamin M Weeks

(74) *Attorney, Agent, or Firm* — Brinks Gilson & Lione

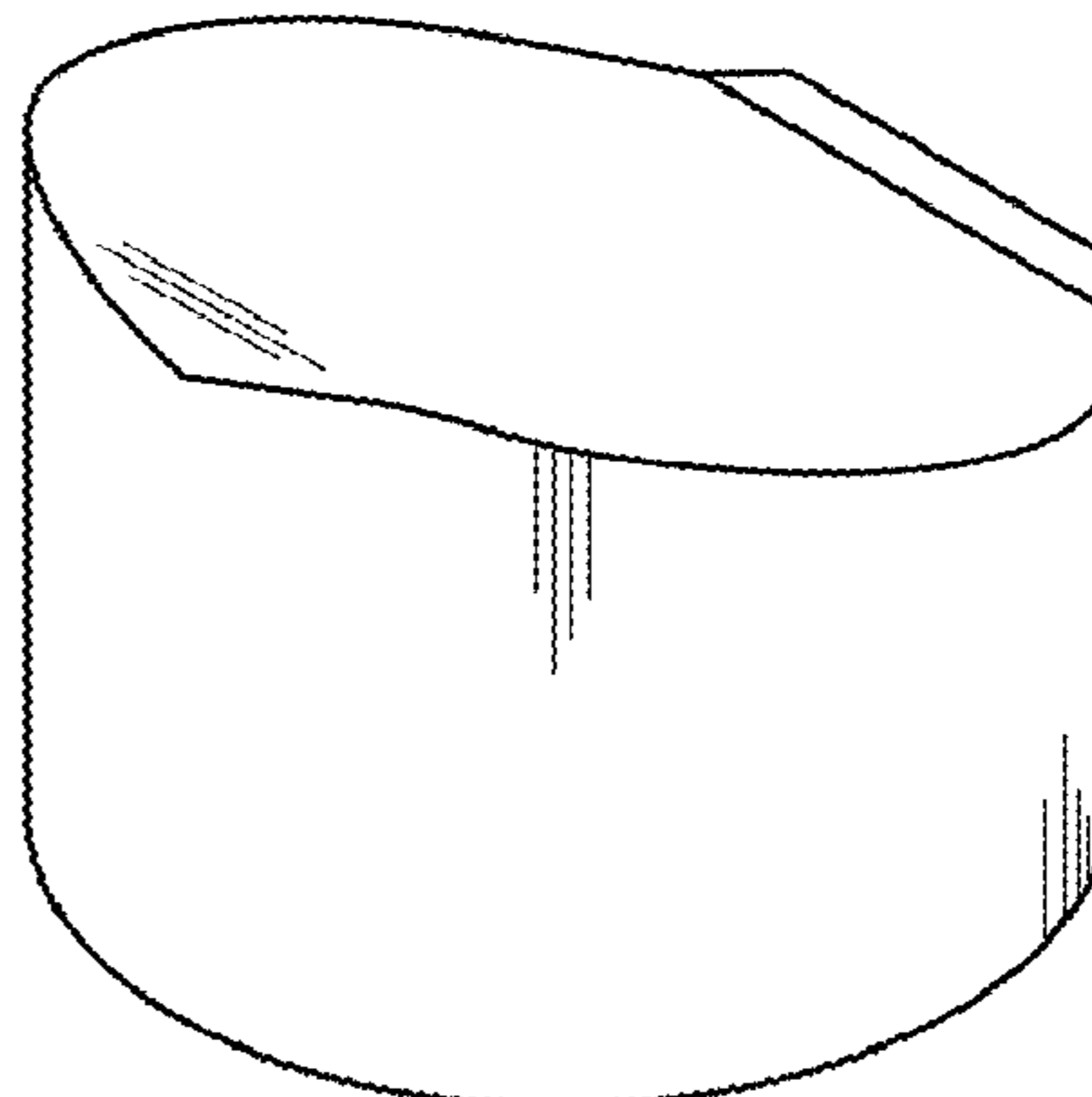
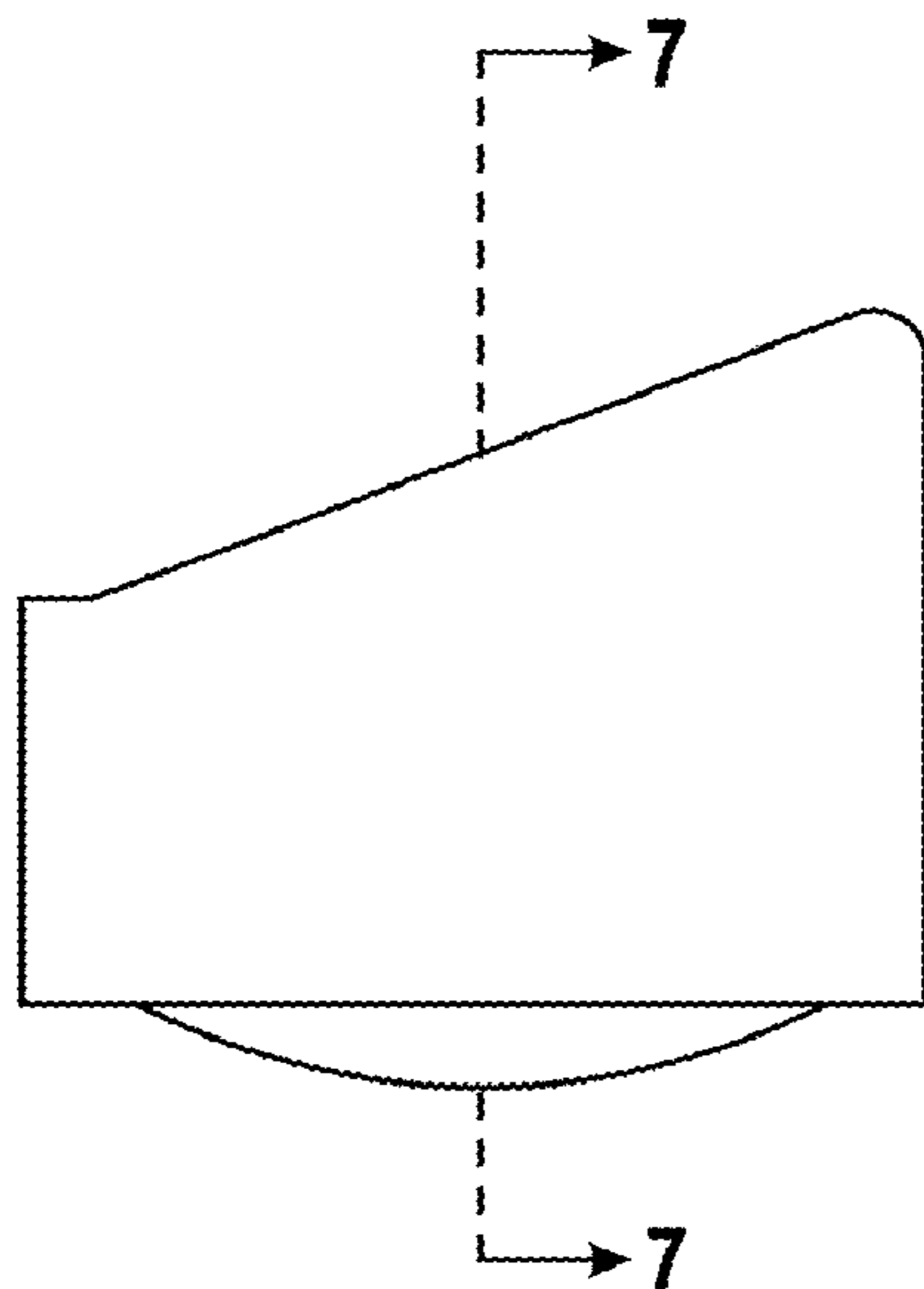
(57) **CLAIM**

The ornamental design for a lens, as shown and described.

DESCRIPTION

FIG. 1 is a front view of a lens showing our new design;
FIG. 2 is a rear view thereof;
FIG. 3 is a top view thereof;
FIG. 4 is a bottom view thereof;
FIG. 5 is a left side view thereof; the right side view being a mirror image thereof;
FIG. 6 is a sectional view taken along line 6-6 in FIG. 1;
FIG. 7 is a sectional view taken along line 7-7 in FIG. 5,
FIG. 8 is a perspective view as seen from the upper front side;
FIG. 9 is another perspective view as seen from the upper rear side; and,
FIG. 10 is still another perspective view as seen from the lower front side.

1 Claim, 4 Drawing Sheets



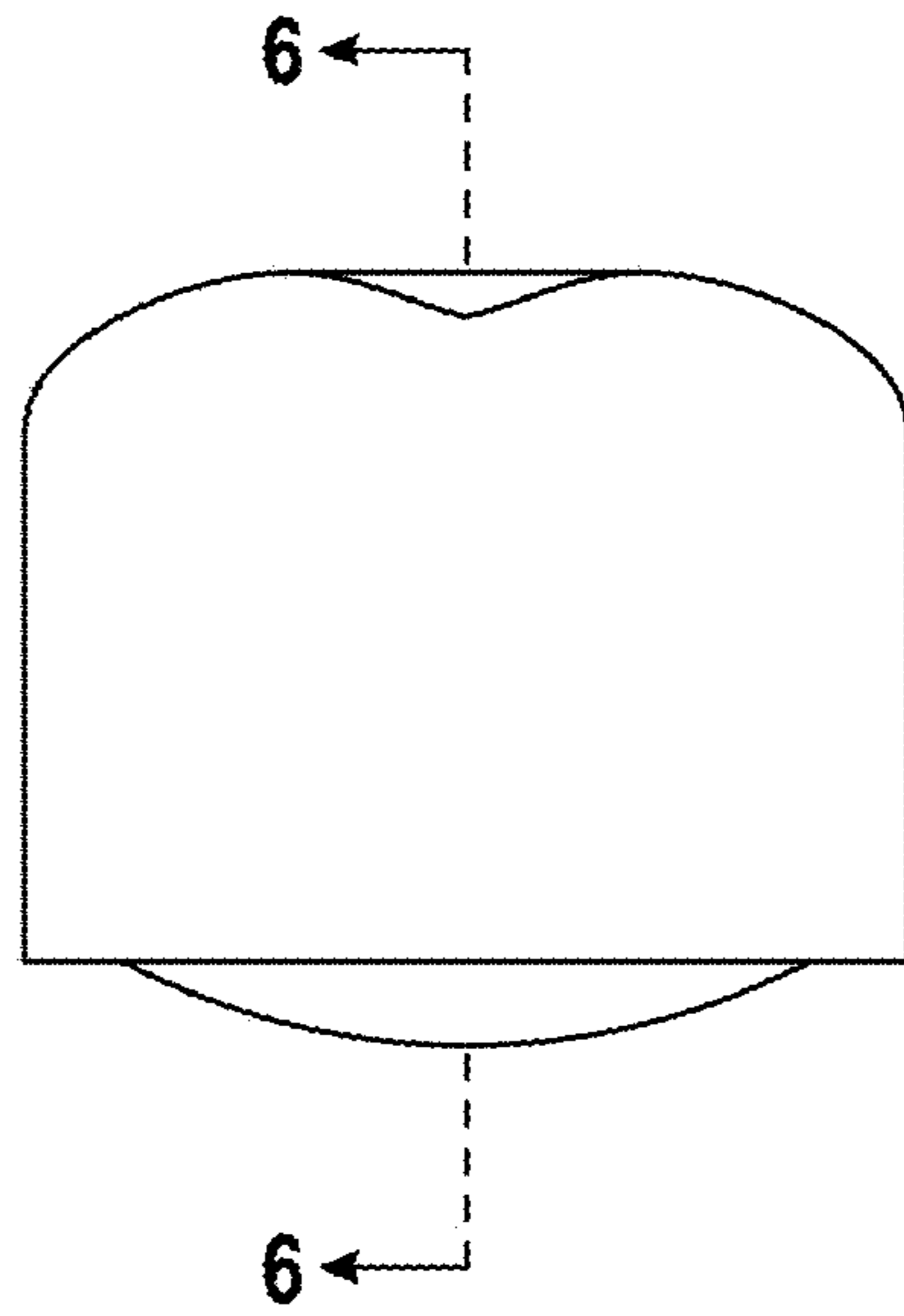


FIG. 1

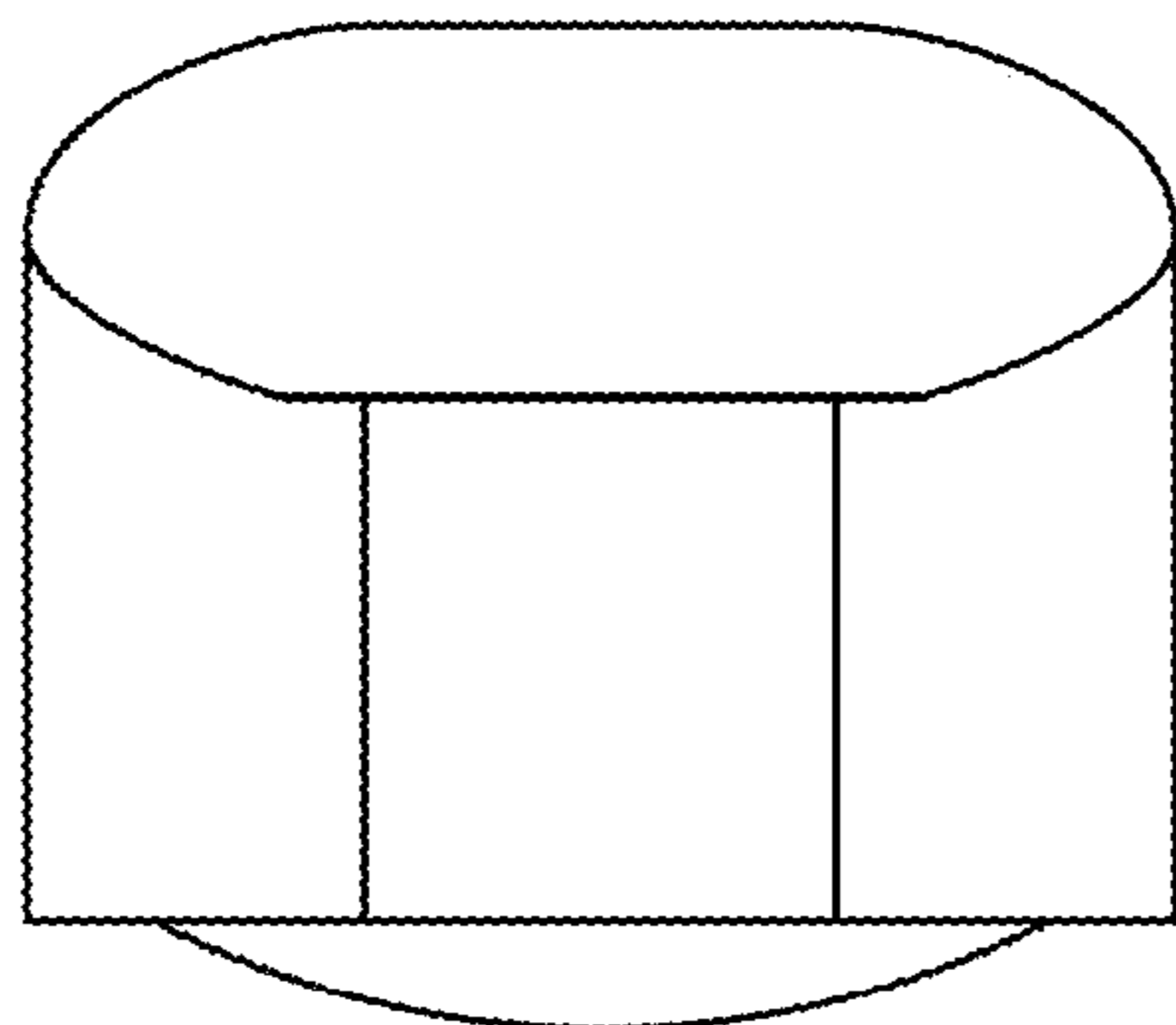


FIG. 2

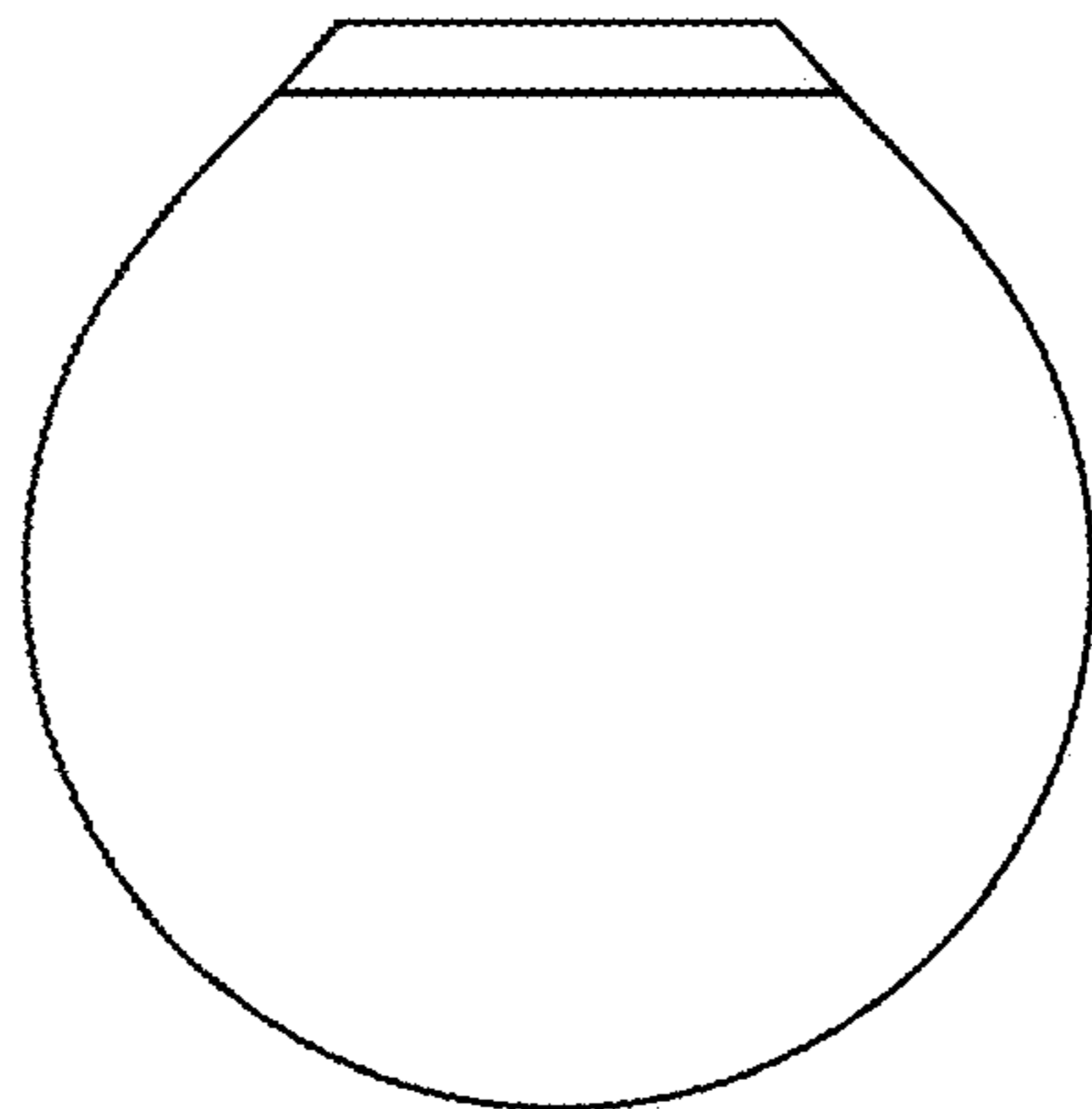


FIG. 3

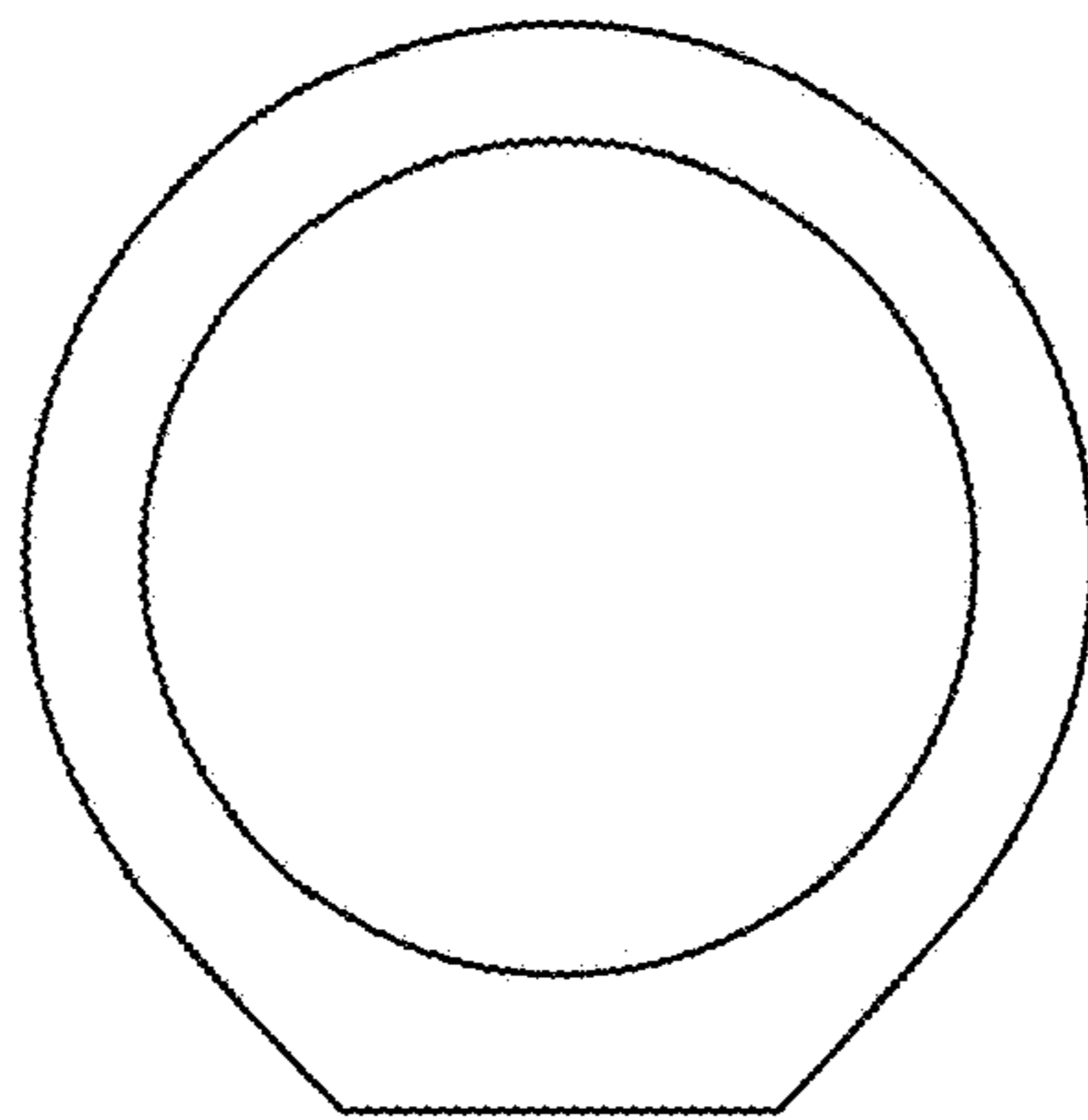


FIG. 4

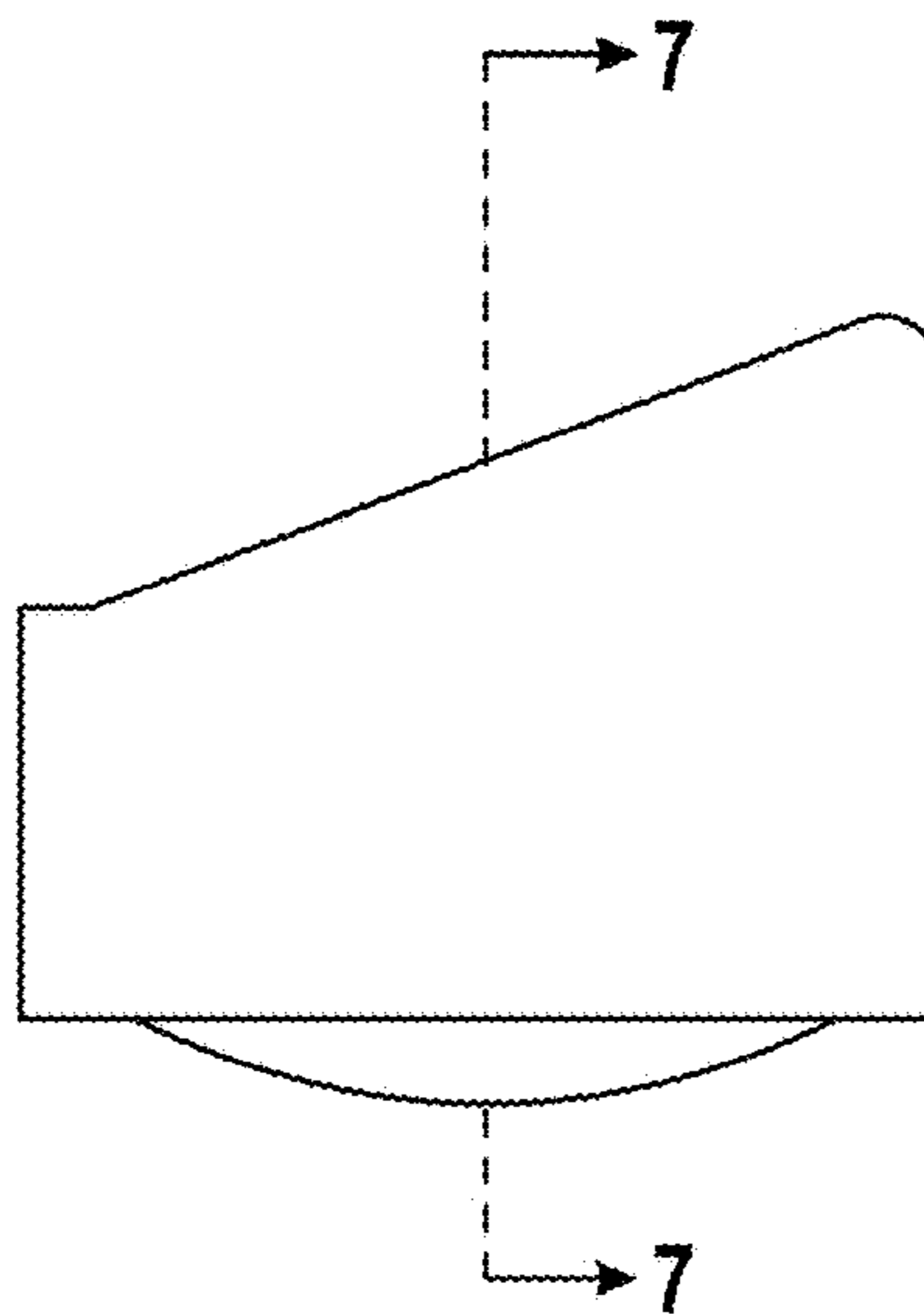


FIG. 5

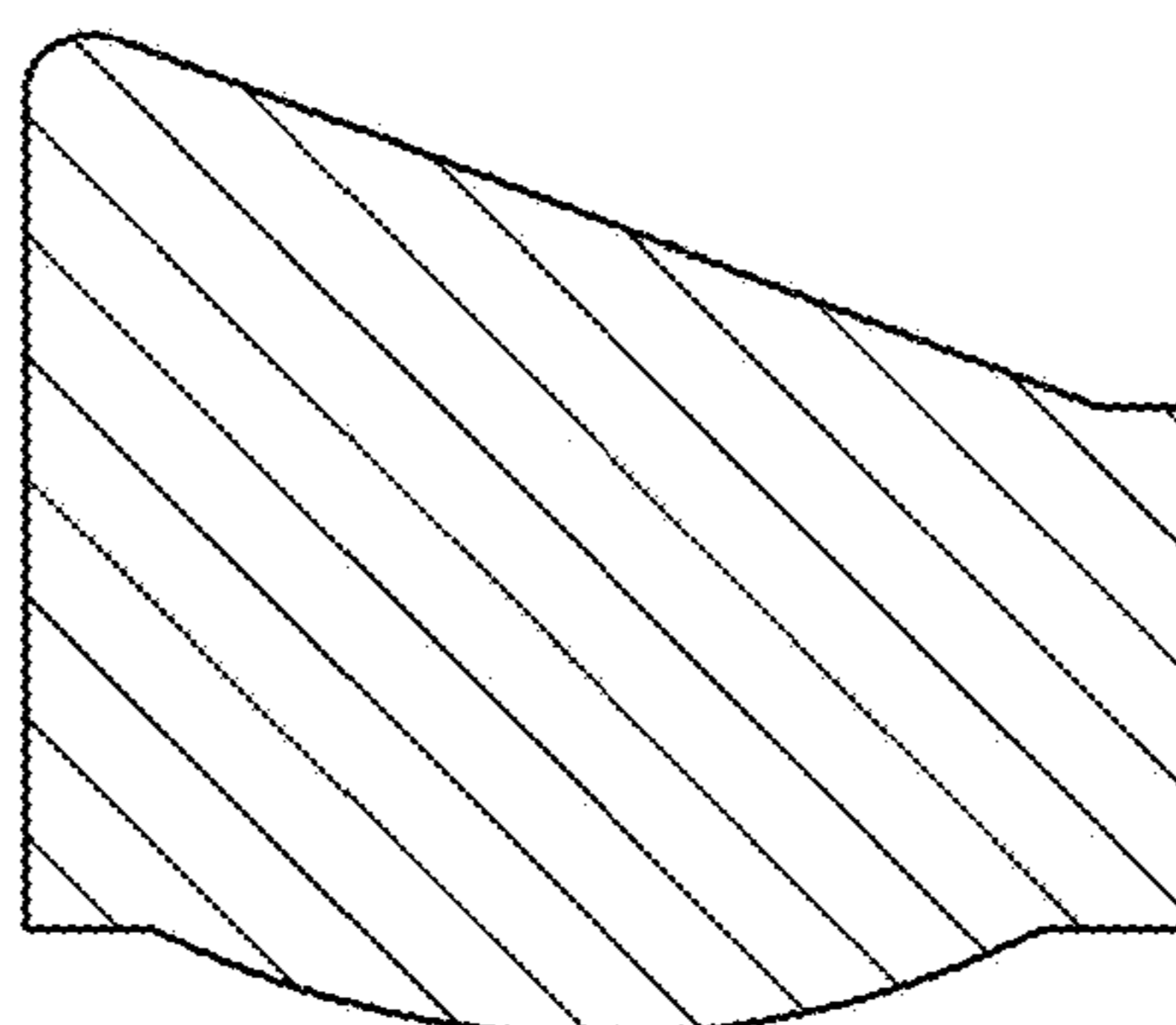


FIG. 6

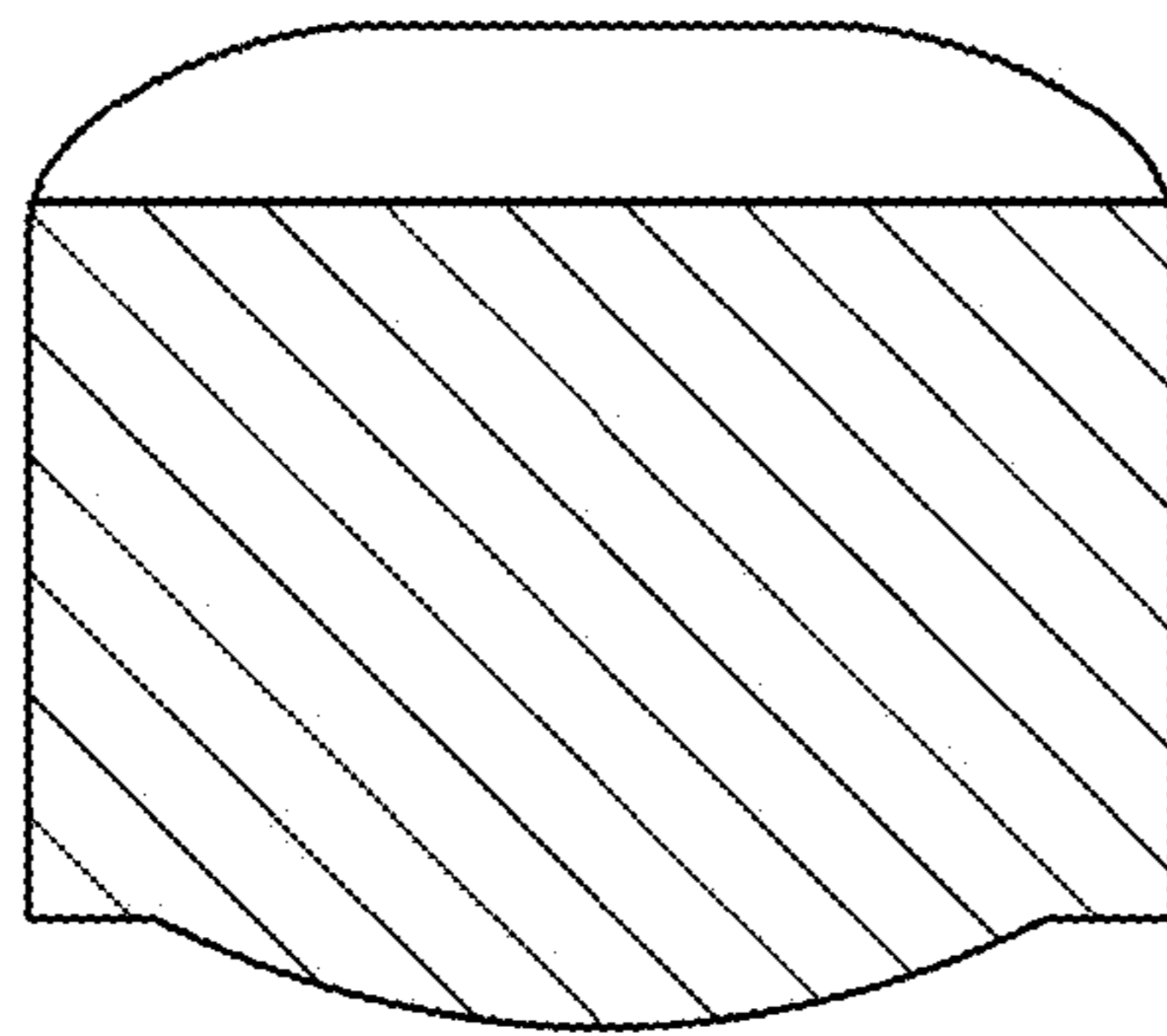


FIG. 7

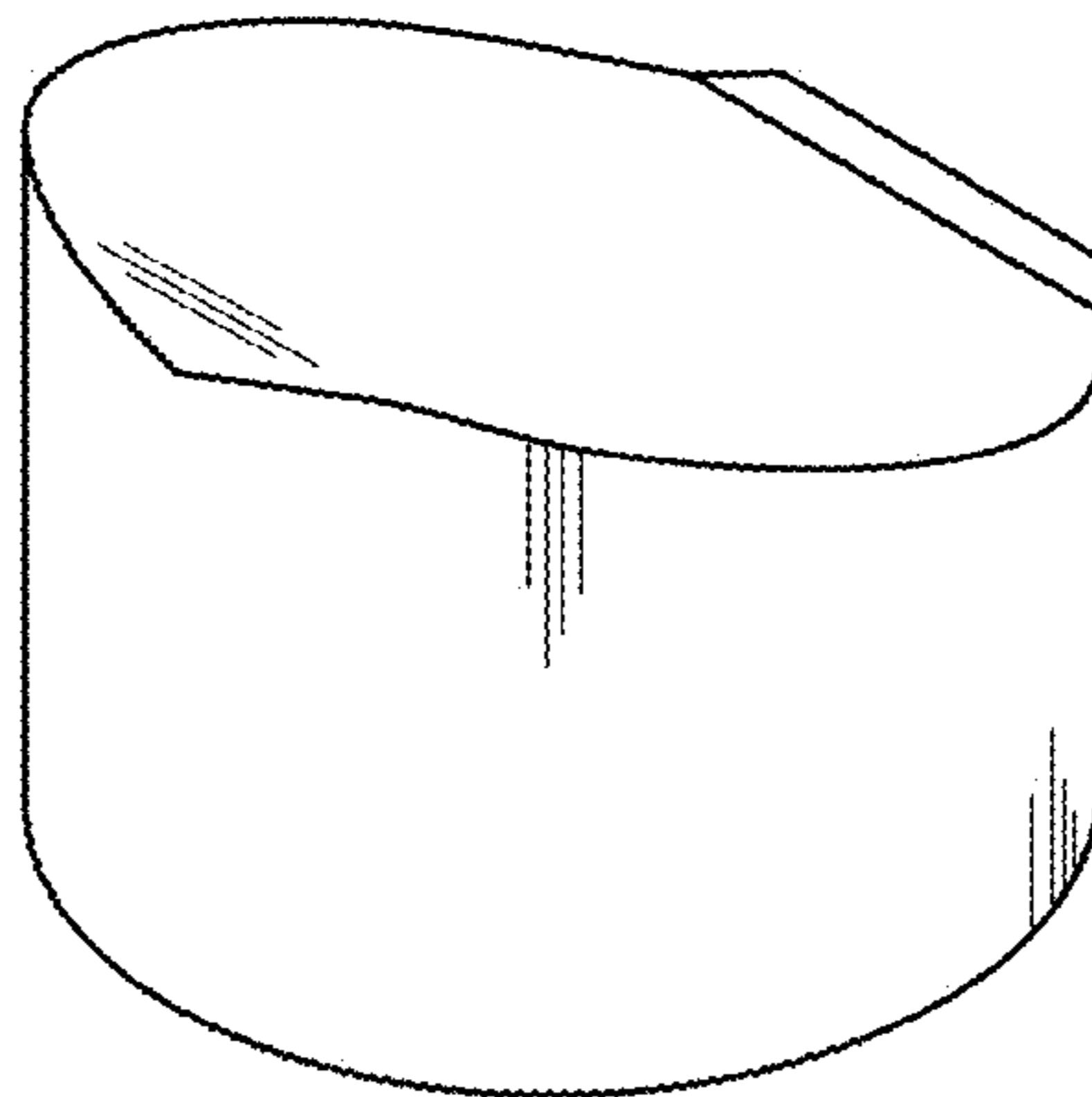


FIG. 8

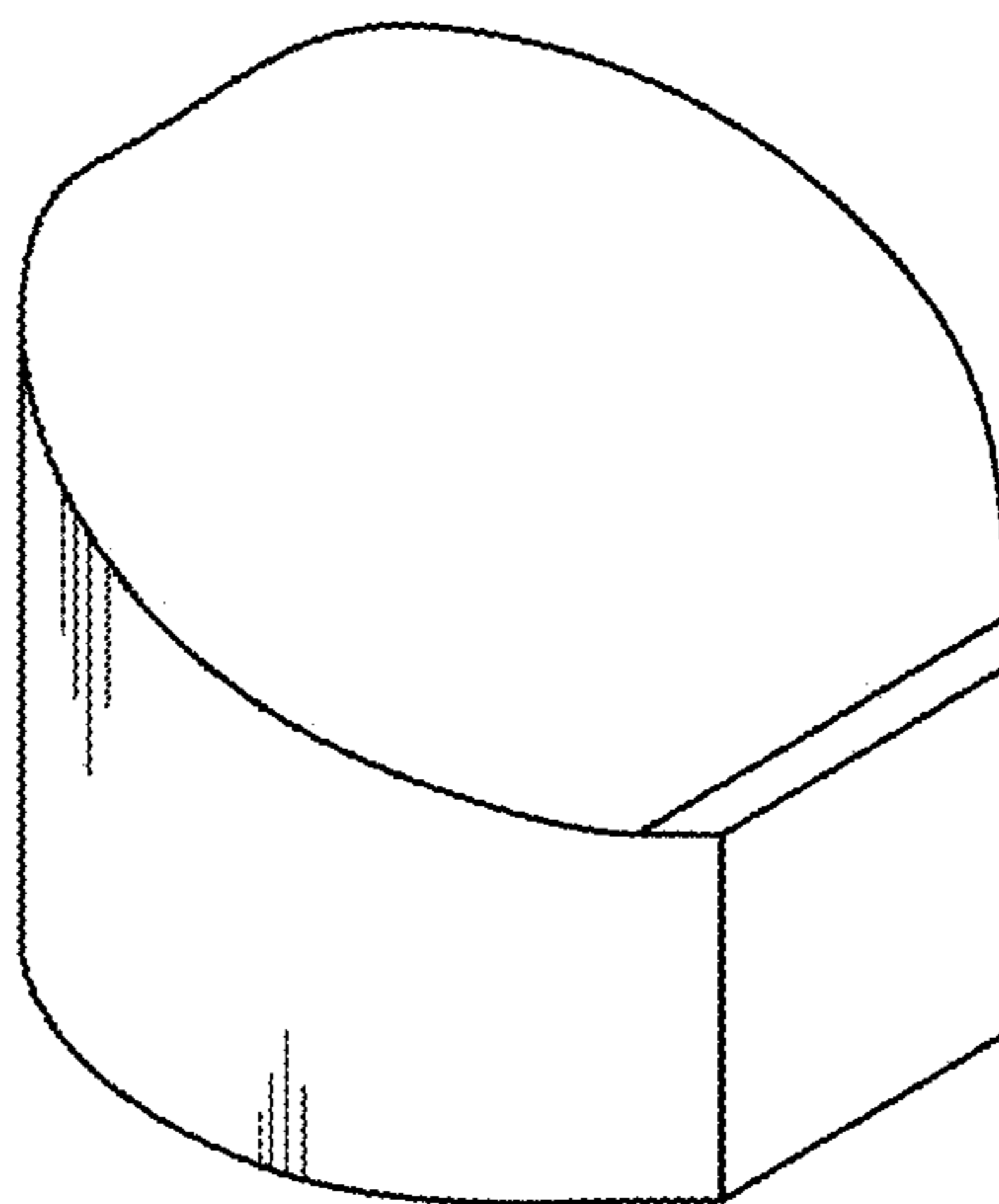


FIG. 9

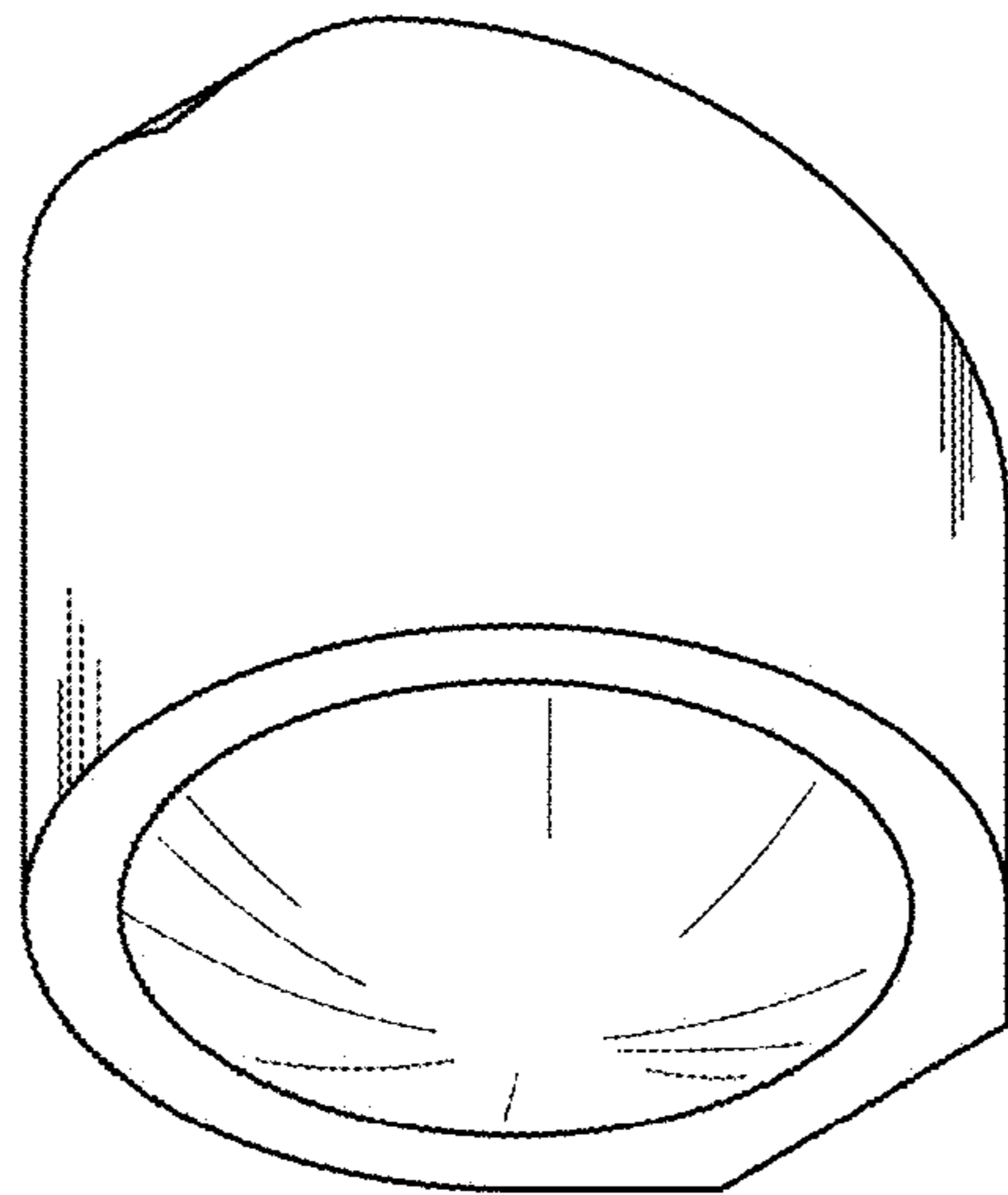


FIG. 10