



US00D837856S

(12) **United States Design Patent** (10) **Patent No.:** **US D837,856 S**
Matuschek et al. (45) **Date of Patent:** **** Jan. 8, 2019**

(54) **STAND FOR A SURGICAL MICROSCOPE**

(71) Applicant: **Carl Zeiss Meditec Ag**, Jena (DE)

(72) Inventors: **Walter Matuschek**, Aalen (DE);
Zhenhua Chu, Suzhou (CN);
Shuanghu Zhang, Suzhou (CN)

(73) Assignee: **Carl Zeiss Meditec AG**, Jena (DE)

(**) Term: **15 Years**

(21) Appl. No.: **29/590,118**

(22) Filed: **Jan. 6, 2017**

Related U.S. Application Data

(62) Division of application No. 29/511,573, filed on Dec. 11, 2014.

(30) **Foreign Application Priority Data**

Jun. 30, 2014 (CN) 2014 3 0212134

(51) **LOC (11) Cl.** **16-06**

(52) **U.S. Cl.**
USPC **D16/131**

(58) **Field of Classification Search**
USPC 248/123.2, 292.11, 281.11, 280.11;
359/382, 384, 388, 362, 363, 368, 372;
D16/130-136
CPC G02B 21/004; G02B 21/008; G02B
21/0088; G02B 21/20; G02B 21/22;
G02B 21/24
See application file for complete search history.

(56) **References Cited**

U.S. PATENT DOCUMENTS

3,809,454 A * 5/1974 Brambring A61G 15/00
297/217.1
4,241,891 A * 12/1980 Rudolph G10K 11/352
248/123.2
5,074,651 A * 12/1991 Nagamine G02B 21/20
359/368

(Continued)

OTHER PUBLICATIONS

Representation of Suspension System S7 in "OPMI PROergo Experience New Dimensions", pp. 7,10-15, 18; Carl Zeiss Meditec, Inc., Dublin, CA 94568, USA; DS-Nr.: 30-187/1-e/USA; publication year 2007.

(Continued)

Primary Examiner — Sandra S Snapp

Assistant Examiner — Holly E Thurman

(74) *Attorney, Agent, or Firm* — Walter Ottesen, P.A.

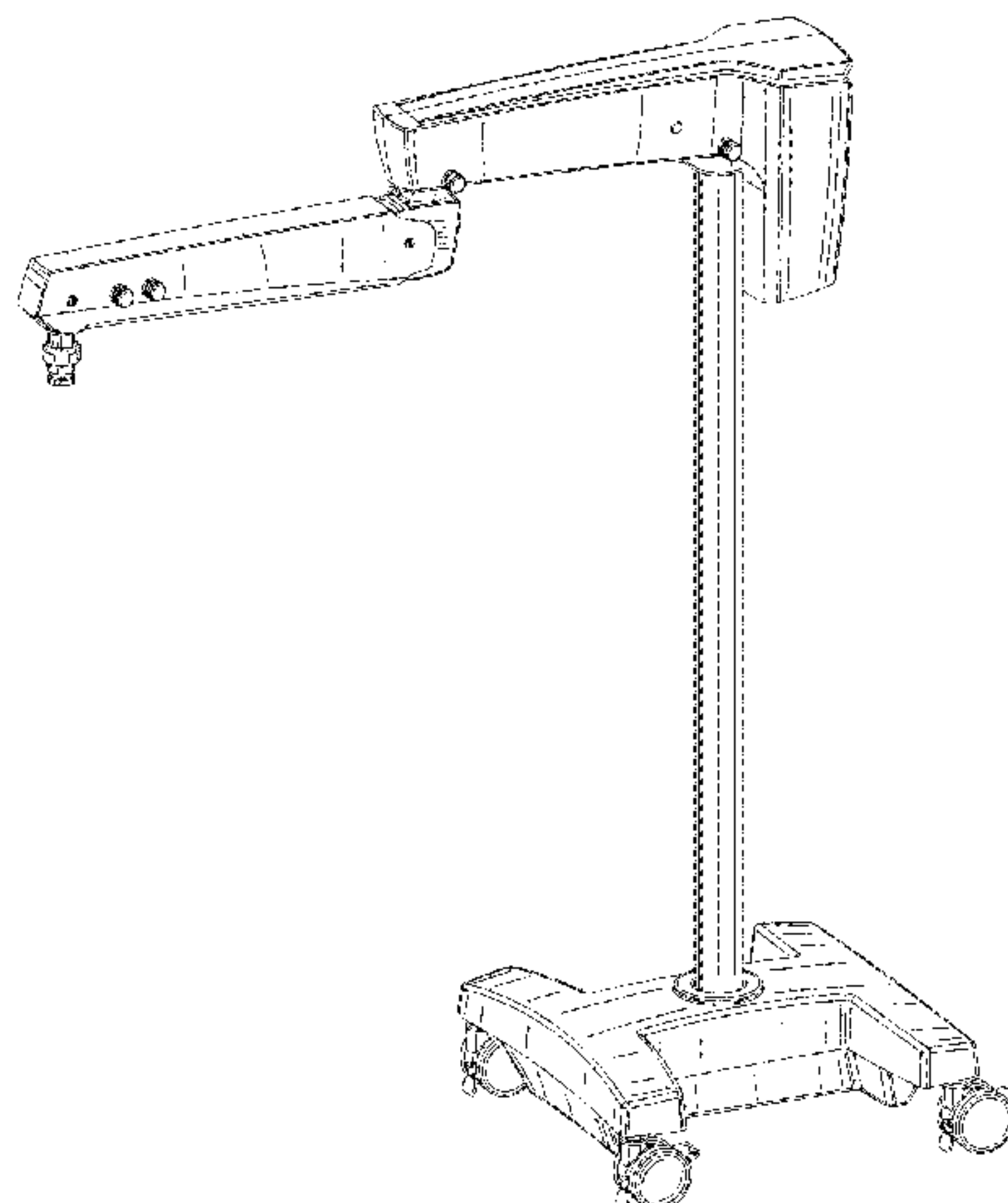
(57) **CLAIM**

The ornamental design for a stand for a surgical microscope, as shown and described.

DESCRIPTION

FIG. 1 is a right side elevation view of an embodiment of the stand for a surgical microscope of our new design;
 FIG. 2 is a top plan view of the stand for a surgical microscope of FIG. 1;
 FIG. 3 is a left side elevation view of the stand for a surgical microscope of FIG. 1;
 FIG. 4 is a bottom plan view of the stand for a surgical microscope of FIG. 1;
 FIG. 5 is a front elevation view of the stand for a surgical microscope of FIG. 1;
 FIG. 6 is a rear elevation view of the stand for a surgical microscope of FIG. 1;
 FIG. 7 is a first perspective view of the stand for a surgical microscope of FIG. 1; and,
 FIG. 8 is a second perspective view of the stand for a surgical microscope of FIG. 1.
 The broken lines in FIGS. 3 and 4 depict parts of the stand for a surgical microscope that form no part of the claimed design.

1 Claim, 8 Drawing Sheets



(56)

References Cited

U.S. PATENT DOCUMENTS

5,173,802 A * 12/1992 Heller F16M 11/08
359/384
5,186,422 A * 2/1993 Nakamura F16M 11/123
248/123.2
5,288,043 A * 2/1994 Tigliev A61B 90/25
248/123.11
5,332,181 A * 7/1994 Schweizer A61B 6/4405
248/123.11
D378,315 S 3/1997 Schwaegerle et al.
5,667,186 A * 9/1997 Luber F16M 11/08
248/123.11
5,748,366 A * 5/1998 Yasunaga G02B 21/0012
359/363
6,050,530 A * 4/2000 Nakamura A61B 50/28
248/123.2
6,434,416 B1 * 8/2002 Mizoguchi G02B 21/0012
359/372
6,471,165 B2 * 10/2002 Twisselmann F16M 11/18
248/123.11
6,646,798 B2 * 11/2003 Schmidt A61B 90/25
248/281.11
6,833,950 B2 * 12/2004 Schmidt A61B 90/25
248/281.11
6,899,307 B2 5/2005 Strauss et al.

6,937,390 B2 * 8/2005 Akiyama A61B 3/13
351/216
7,232,222 B2 * 6/2007 Kogawa A61B 3/13
351/205
D623,210 S * 9/2010 Matuschek D16/131
D634,344 S * 3/2011 Nusser D16/131
D649,992 S * 12/2011 Nusser D16/131
D743,036 S * 11/2015 Boukhny D24/172
D746,893 S 1/2016 Dong
D758,465 S * 6/2016 Matuschek D16/131
2005/0109903 A1 * 5/2005 Strauss A61B 90/25
248/280.11
2009/0219613 A1 * 9/2009 Enge G02B 7/001
359/384
2011/0134518 A1 * 6/2011 Doi A61B 90/20
359/384
2012/0087006 A1 * 4/2012 Signaigo A61B 19/5223
359/375

OTHER PUBLICATIONS

Representation of Suspension System S100 in Time for a change: OPMI pico for ENT, pp. 5-7; Carl Zeiss Surgical GmbH, Oberkochen, Germany; 30-451/III-e; publication year 2005.
Representation of Suspension System in "OMS2350 Surgical Microscope for ENT" Zumax Medical Co., Ltd., Suzhou, CN; publication year 2012, two pages.

* cited by examiner

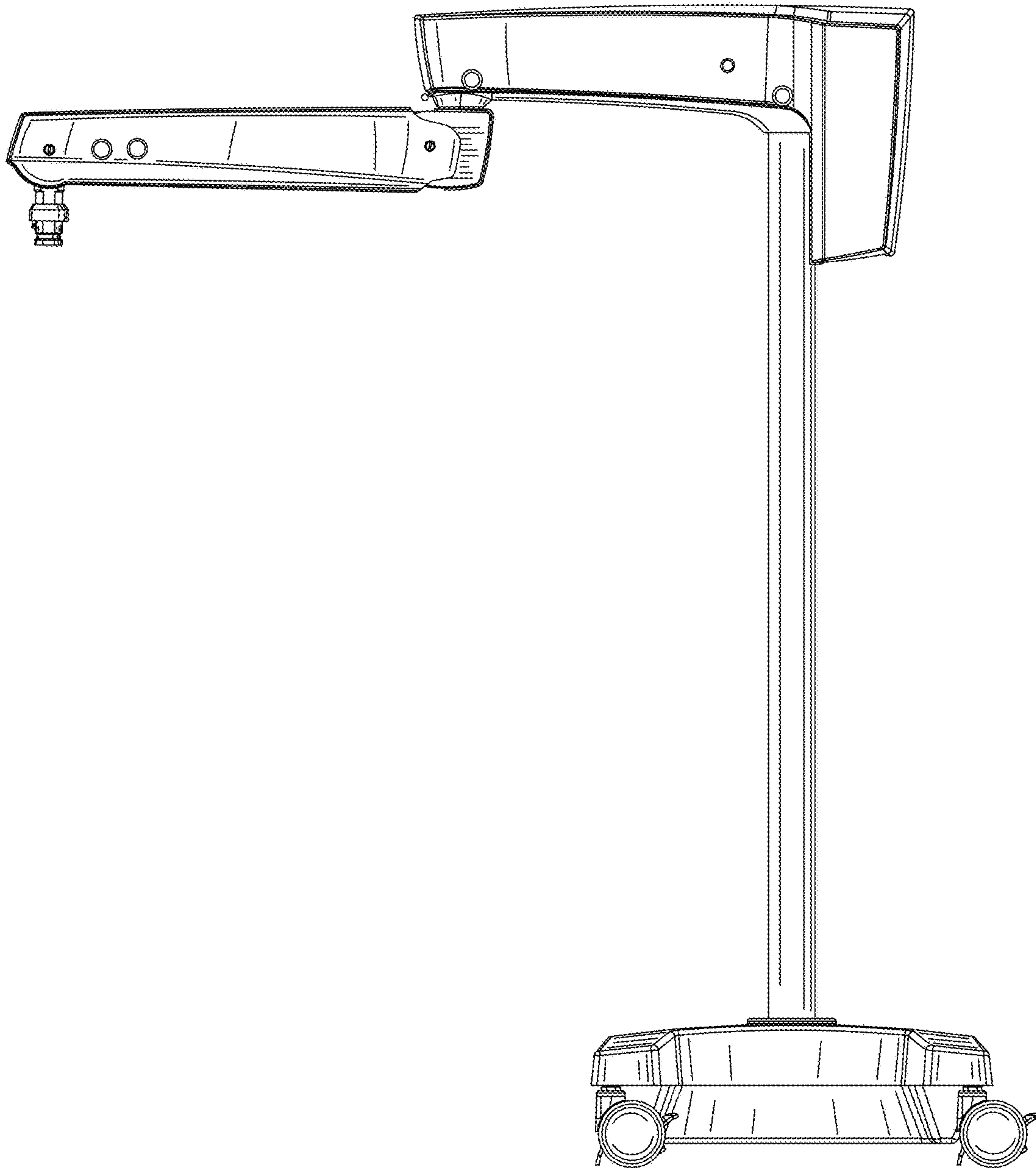


FIG. 1

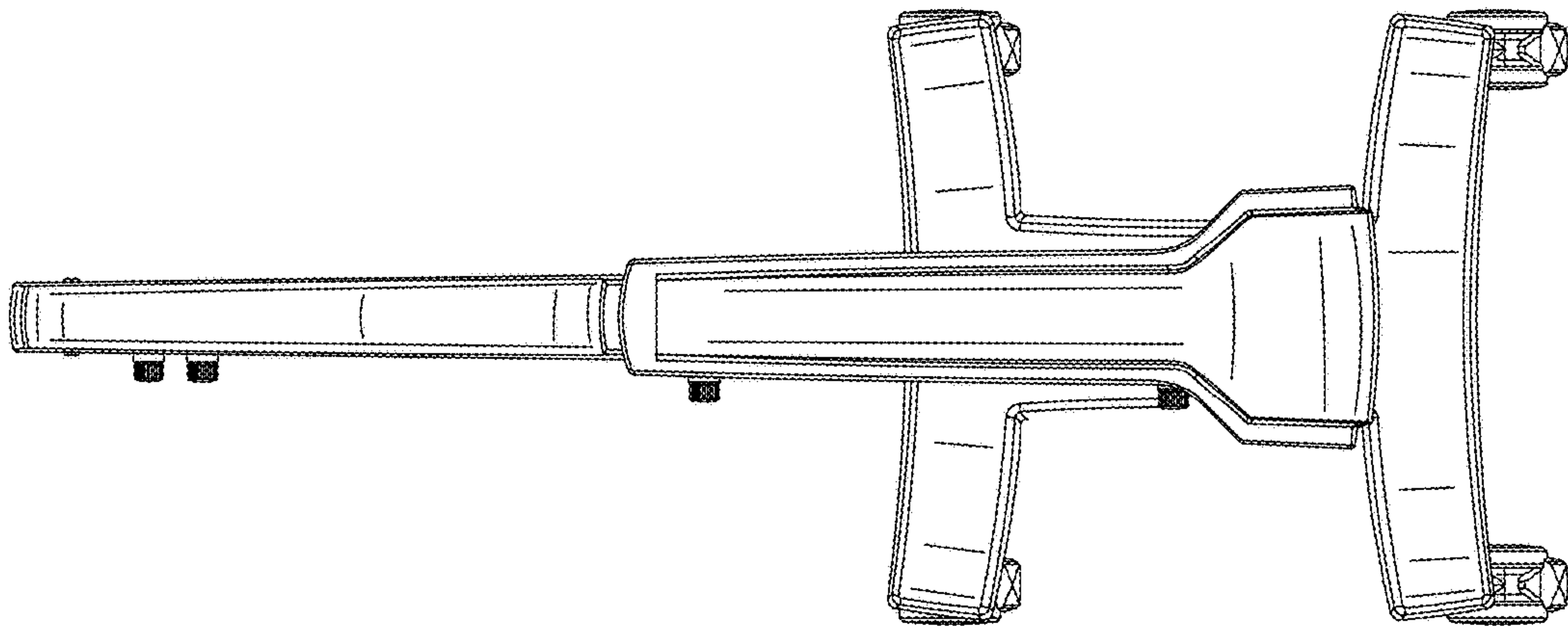


FIG. 2

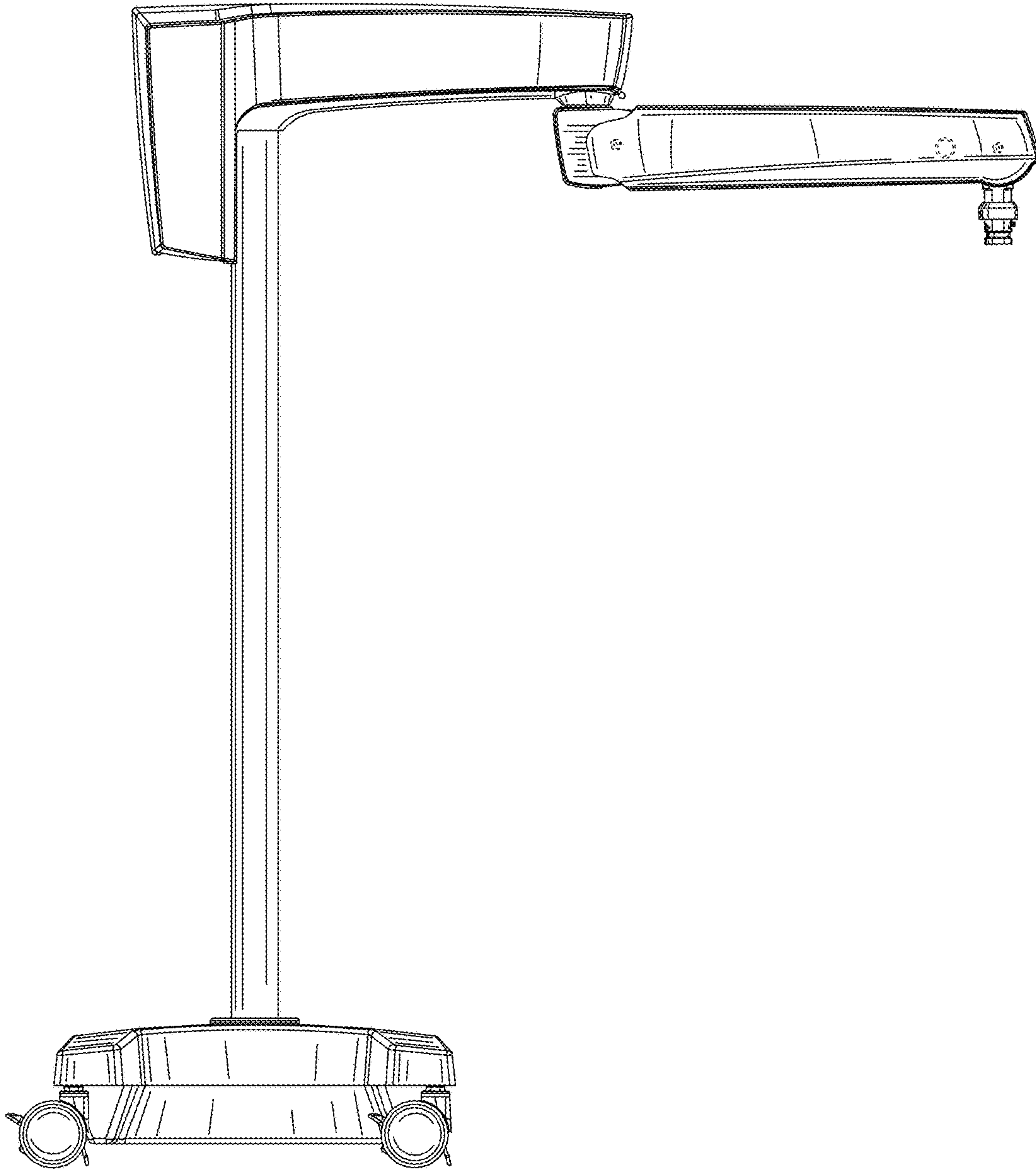


FIG. 3

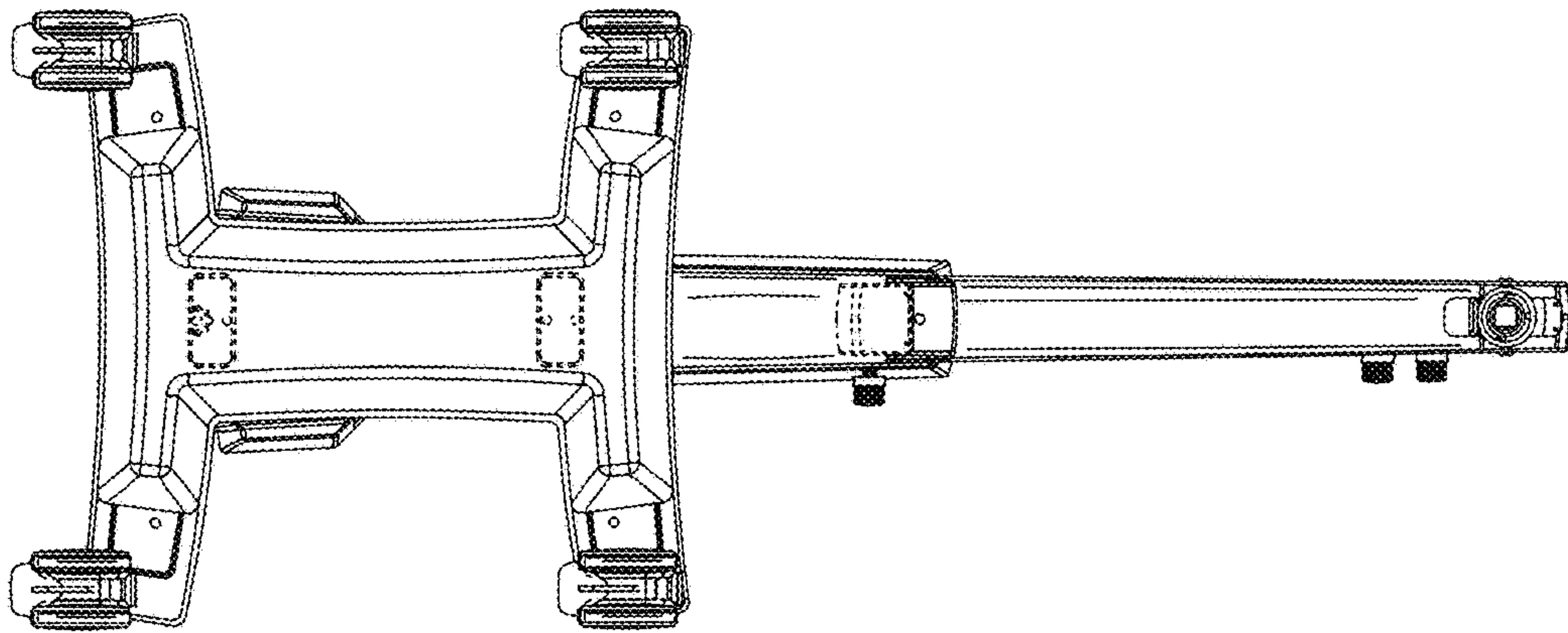


FIG. 4

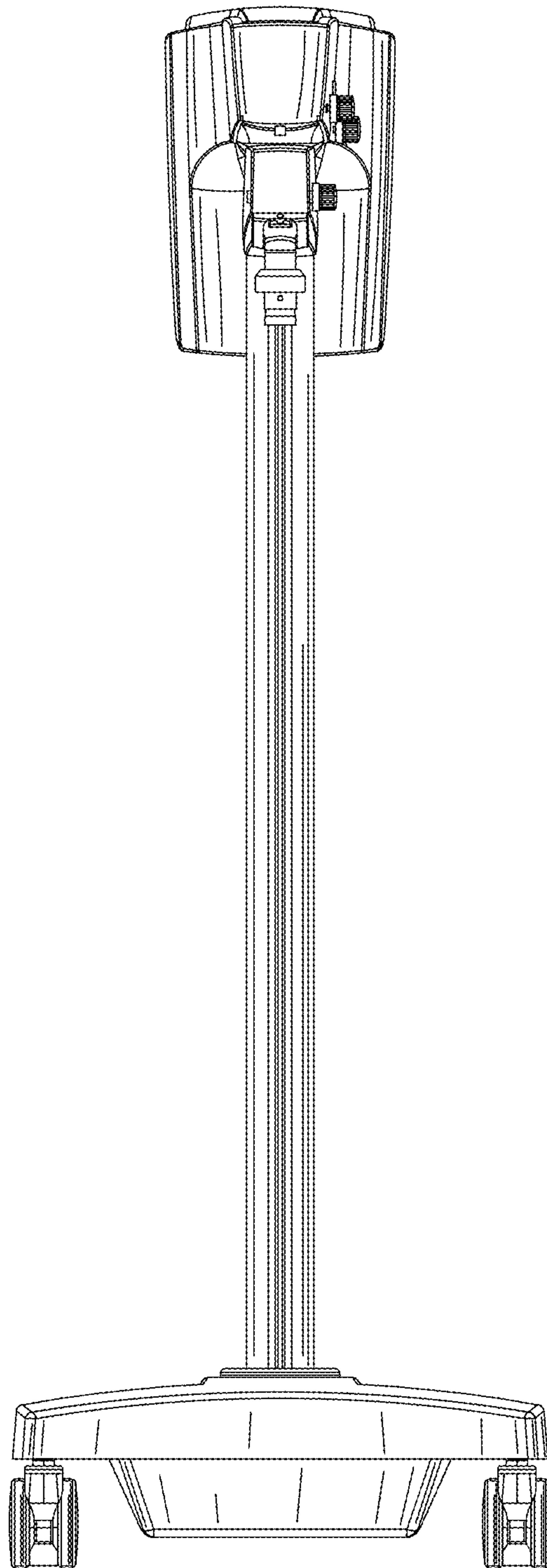


FIG. 5

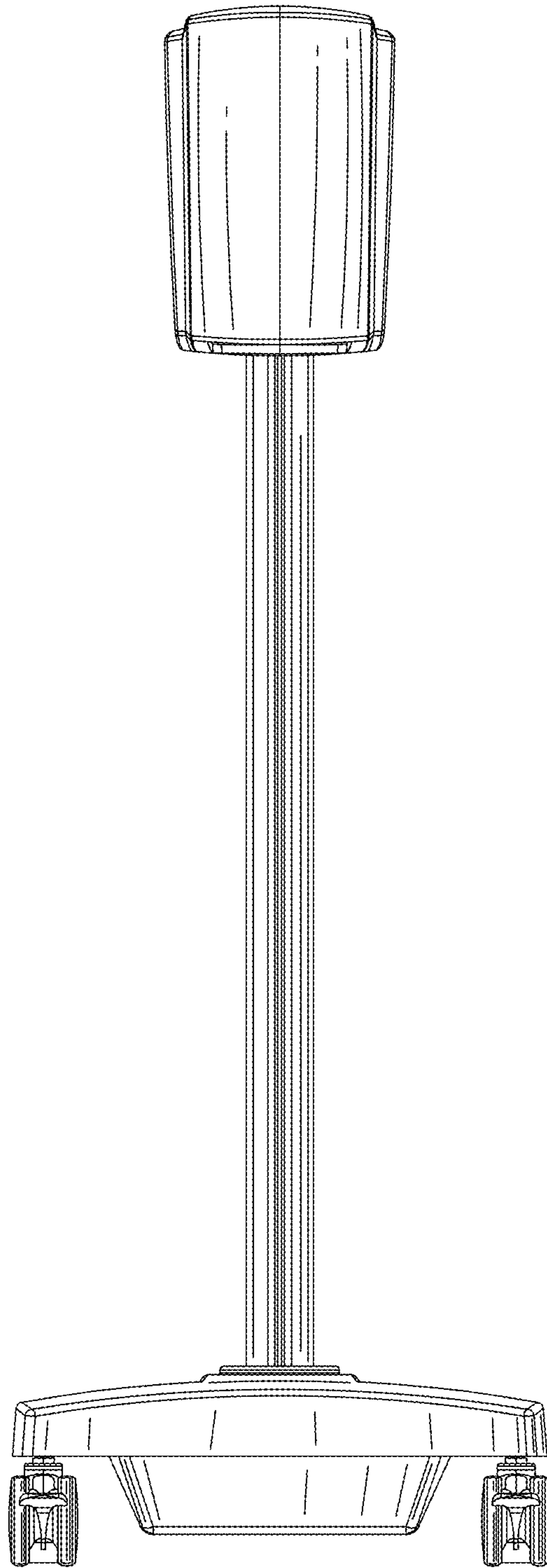


FIG. 6

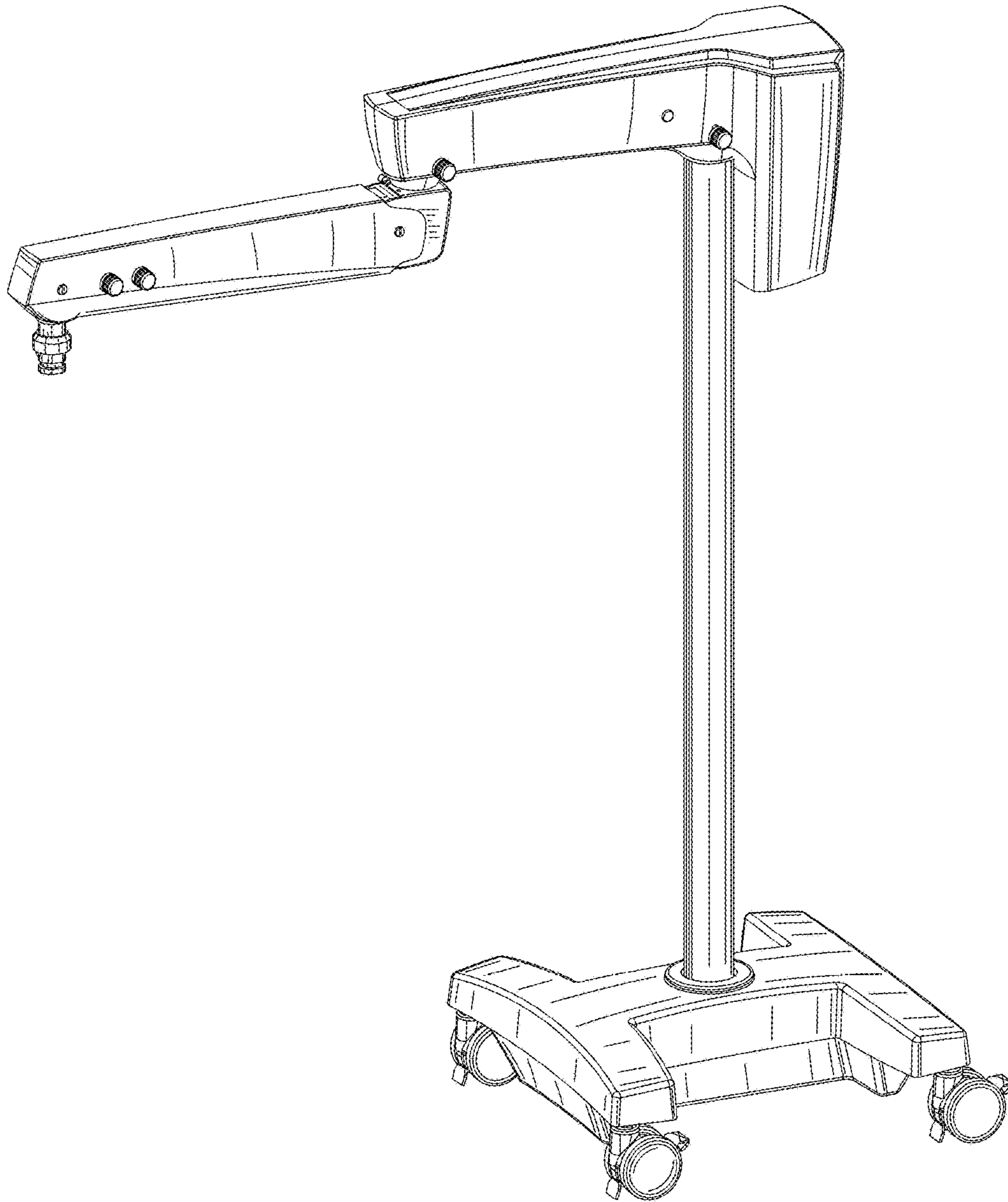


FIG. 7

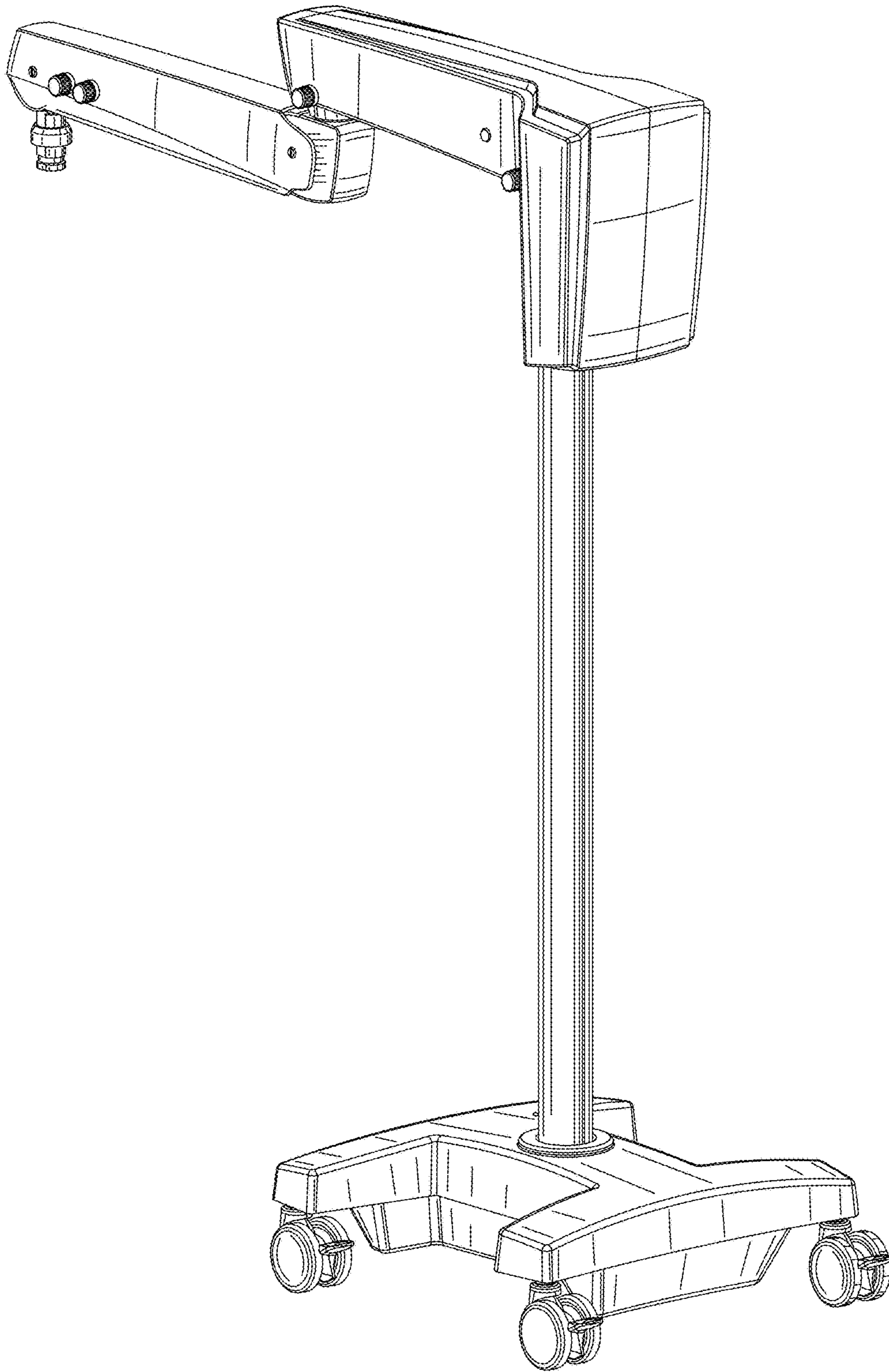


FIG. 8