



US00D837855S

(12) **United States Design Patent**
Chen

(10) **Patent No.:** **US D837,855 S**
(45) **Date of Patent:** **** Jan. 8, 2019**

(54) **MOBILE SERVICE ROBOT**
(71) Applicant: **NINEBOT(BEIJING)TECH. CO., LTD.**, Beijing (CN)
(72) Inventor: **Xingchi Chen**, Beijing (CN)
(73) Assignee: **NINEBOT(BEIJING)TECH. CO., LTD.**, Beijing (CN)
(**) Term: **15 Years**

D494,099 S * 8/2004 Maurer D12/1
6,907,949 B1 6/2005 Wang
D507,206 S * 7/2005 Wang D12/1
D528,468 S * 9/2006 Arling D12/1
7,192,040 B2 3/2007 Xie
D549,756 S * 8/2007 Park D15/199
D551,592 S * 9/2007 Chang D12/1
D551,722 S * 9/2007 Chang B62K 11/007
D12/1
D563,443 S * 3/2008 Ahn D15/199
(Continued)

(21) Appl. No.: **35/503,620**
(22) Filed: **May 19, 2017**

FOREIGN PATENT DOCUMENTS

(80) **Hague Agreement Data**
Int. Filing Date: **May 19, 2017**
Int. Reg. No.: **DM/097425**
Int. Reg. Date: **May 19, 2017**
Int. Reg. Pub. Date: **Sep. 8, 2017**

CN 302908898 S 8/2014
CN 303541333 S 1/2016
(Continued)

(30) **Foreign Application Priority Data**

OTHER PUBLICATIONS

Nov. 21, 2016 (CN) 2016 3 0564685

Design U.S. Appl. No. 35/501,473, filed May 12, 2016.
Design U.S. Appl. No. 35/503,123, filed Feb. 28, 2017.

(51) **LOC (11) Cl.** **15-99**
(52) **U.S. Cl.**
USPC **D15/199**
CPC **B25J 11/008** (2013.01)

Primary Examiner — Richard E Chilcot
(74) *Attorney, Agent, or Firm* — Margaret Polson; Polson Intellectual Property Law, PC

(58) **Field of Classification Search**
USPC D15/199; D12/1; D21/419-435, 533, D21/537, 760, 765, 771; 280/87.021, 280/87.041, 200, 210, 214, 239, 263, 282, 280/288.1-288.4; 180/180, 181, 21, 8.2, 180/5.26, 6.5, 7.1, 65.8, 907
CPC B25J 11/00; B25J 11/008
See application file for complete search history.

(57) **CLAIM**

The ornamental design for a mobile service robot, as shown and described.

(56) **References Cited**

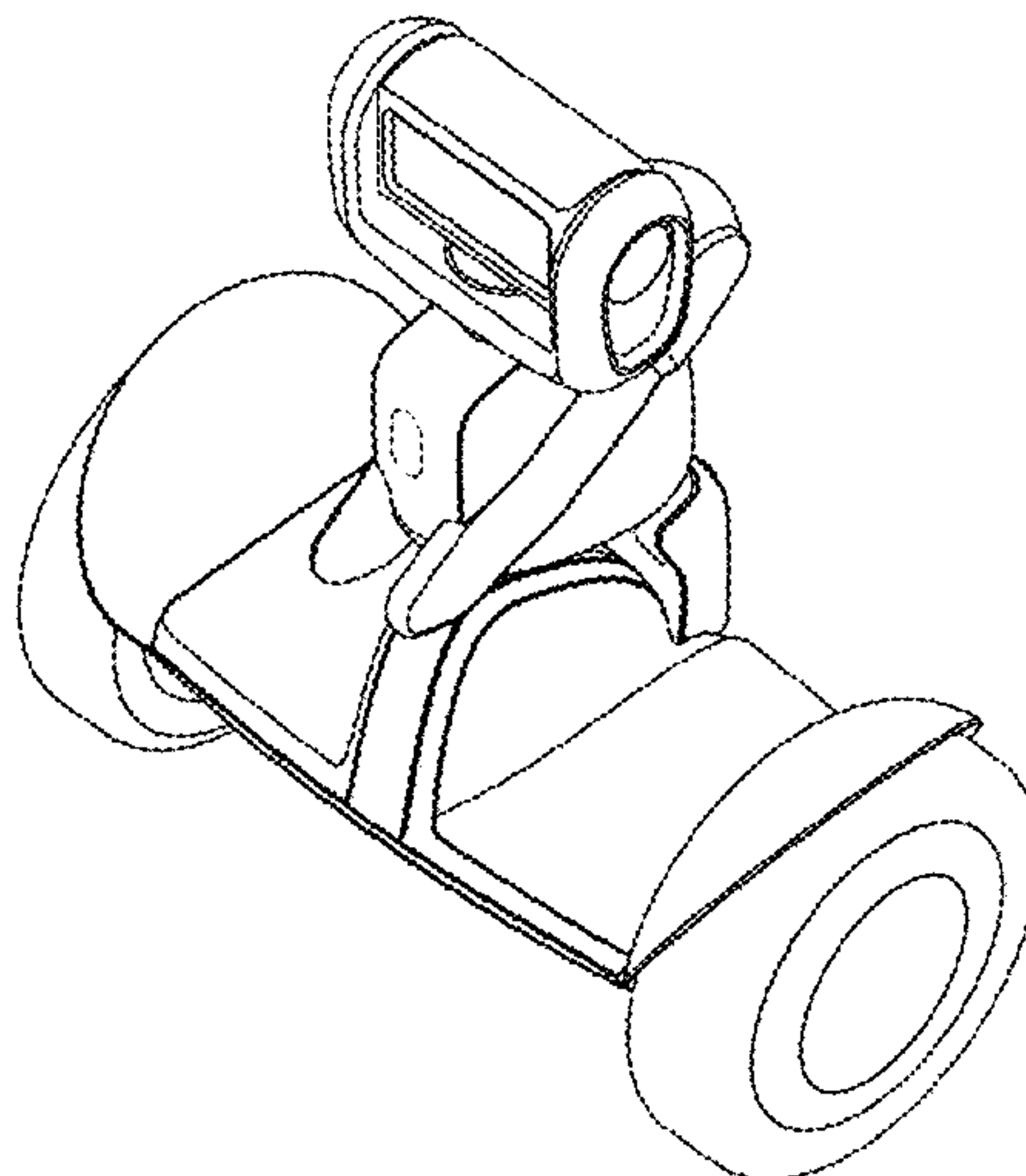
DESCRIPTION

U.S. PATENT DOCUMENTS

D355,148 S * 2/1995 Orsolini D12/1
6,561,294 B1 * 5/2003 Kamen B62D 37/00
180/21
D489,027 S * 4/2004 Waters D12/1
D493,128 S * 7/2004 Waters D12/1

1.-2. Mobile service robot
1.1 is a front perspective view of my new design for a mobile service robot
1.2 is a front side elevation view of Figure 1.1
1.3 is a back side elevation view of Figure 1.1
1.4 is a left side elevation view of Figure 1.1
1.5 is a right side elevation view of Figure 1.1
1.6 is a top side plan view of Figure 1.1
1.7 is a bottom side plan view of Figure 1.1
1.8 is a perspective view of Figure 1.1 in the state of use.

1 Claim, 8 Drawing Sheets



(56)

References Cited

U.S. PATENT DOCUMENTS

D569,308 S * 5/2008 Bergeron D12/7
D579,035 S * 10/2008 Kim B25J 11/008
D15/199
D587,173 S * 2/2009 Laymaster D12/128
D594,492 S * 6/2009 Stratton D15/199
D601,922 S * 10/2009 Imai D12/1
7,703,568 B2 4/2010 Ishii
7,784,206 B2 8/2010 Trainer
D626,031 S * 10/2010 Doran D12/1
8,201,653 B2 6/2012 Strassman
D699,626 S * 2/2014 Nam D12/1
8,800,697 B2 * 8/2014 Hoffmann B60T 7/042
180/21
D725,166 S * 3/2015 Paik D15/199
D726,836 S * 4/2015 Song D15/199
9,085,334 B2 * 7/2015 Hoffmann B62K 1/00
D735,608 S * 8/2015 Cao D12/1
D739,307 S * 9/2015 Hoffmann D12/107
D743,843 S * 11/2015 Guo D12/1
9,188,984 B2 * 11/2015 Kamen A63C 17/01
D748,533 S * 2/2016 Collins D12/1
D774,600 S * 12/2016 Tao D12/1
D774,940 S * 12/2016 de la Gandara D12/1
9,545,963 B2 * 1/2017 Kamen B60G 17/019
9,598,136 B1 3/2017 Kim
9,611,004 B2 4/2017 Hoffmann et al.
D788,639 S * 6/2017 Constin D12/1

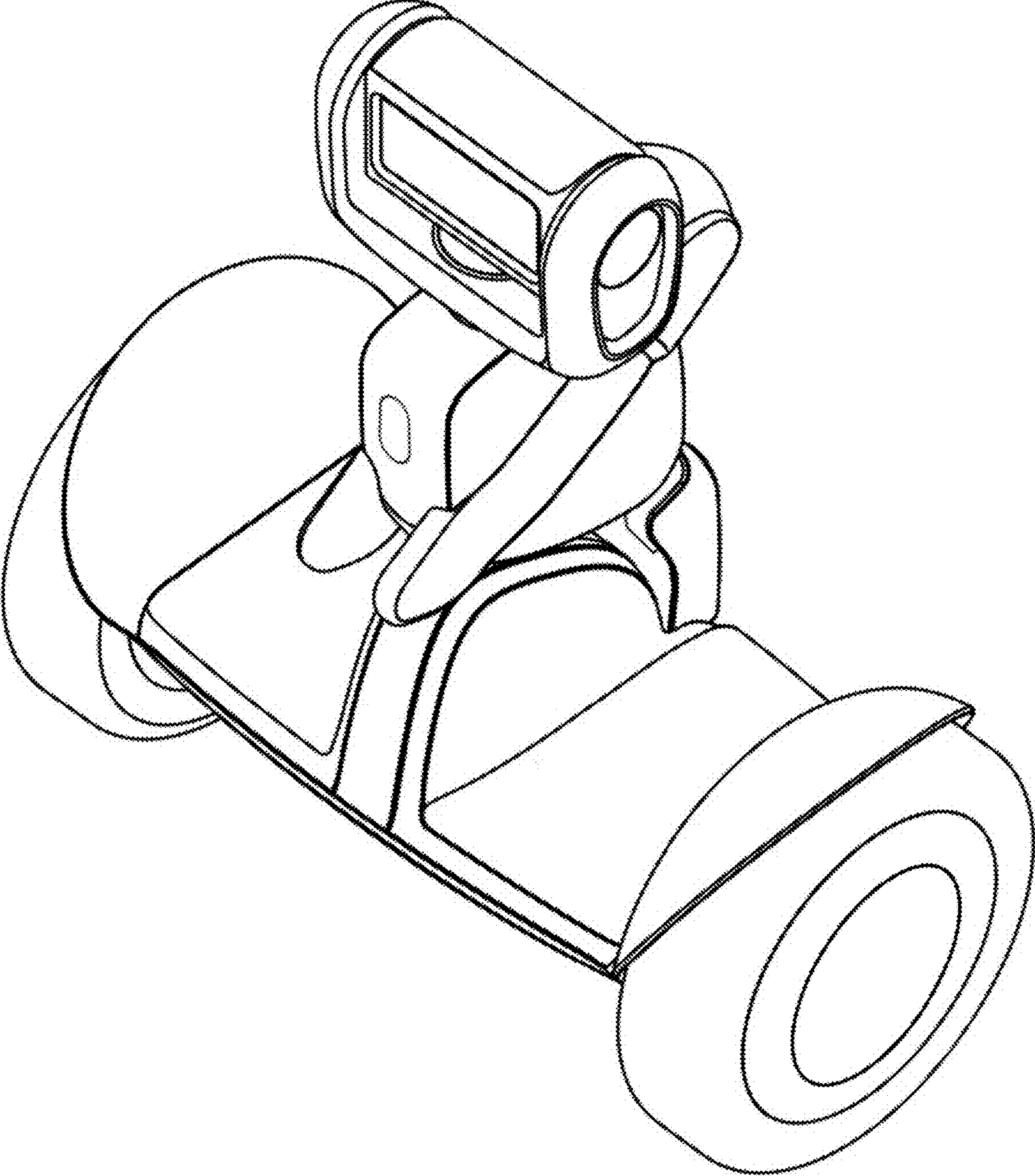
D792,715 S * 7/2017 Liu D6/354
D793,107 S * 8/2017 Liu D6/354
D793,905 S * 8/2017 Liu D12/1
D794,345 S * 8/2017 Liu D6/354
D795,134 S 8/2017 Liu
D806,177 S 12/2017 Liu
D810,167 S * 2/2018 Yang D15/199
D810,800 S * 2/2018 Wang D15/199
D811,458 S * 2/2018 Wang D15/199
D812,694 S 3/2018 Nissen
9,919,762 B2 3/2018 Kim
D816,119 S * 4/2018 Pu D15/1
D816,778 S 5/2018 Yang
D820,157 S 6/2018 Chen
2005/0134014 A1 * 6/2005 Xie B62D 51/001
280/93.502
2006/0202439 A1 9/2006 Kahlert

FOREIGN PATENT DOCUMENTS

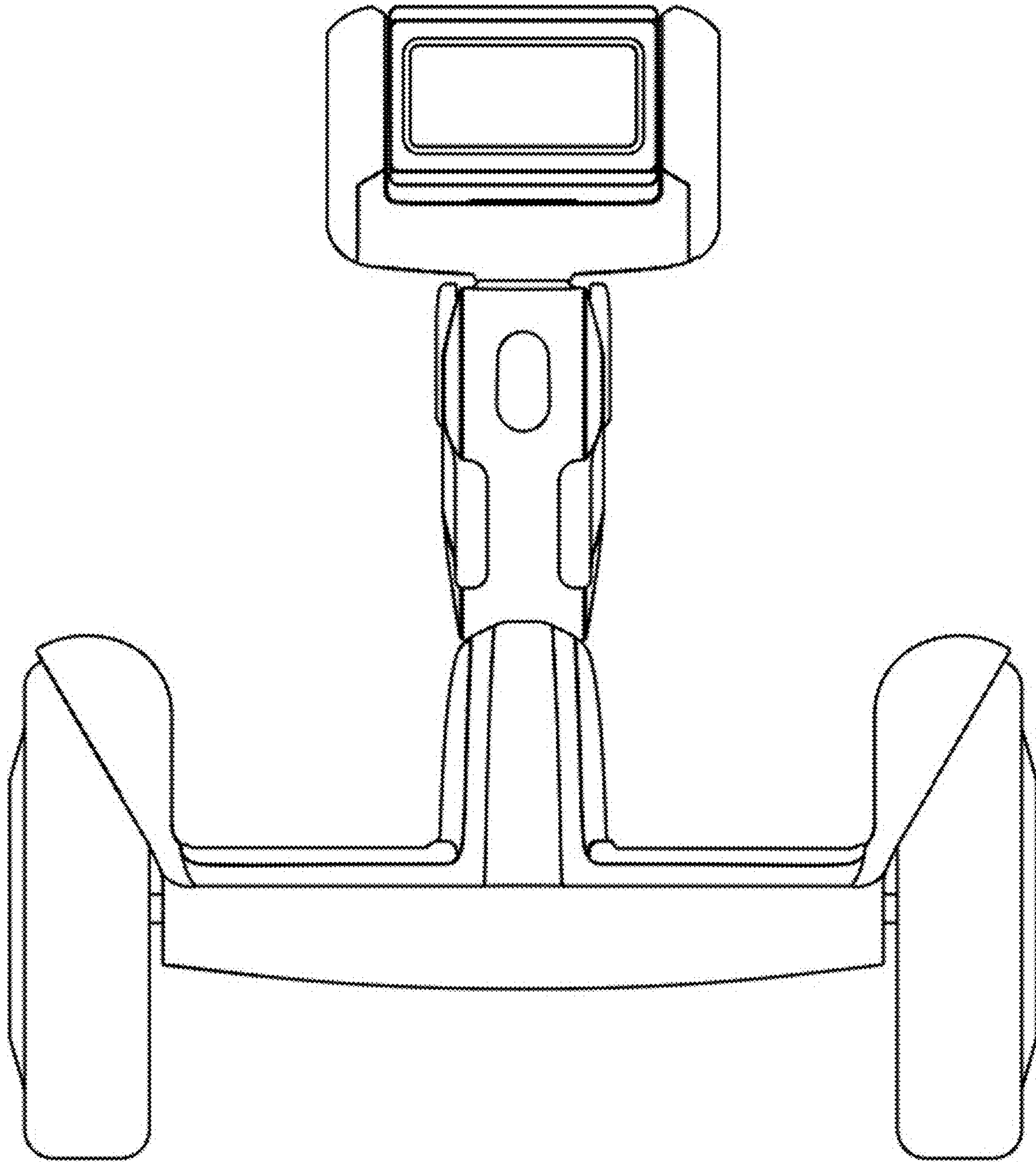
CN 303578493 S 2/2016
CN 303590654 S 2/2016
CN 303647045 S 4/2016
CN 303754724 S 7/2016
CN 303754725 S 7/2016
CN 303754756 S 7/2016
CN 303804691 S 8/2016
WO DM090011 4/2016

* cited by examiner

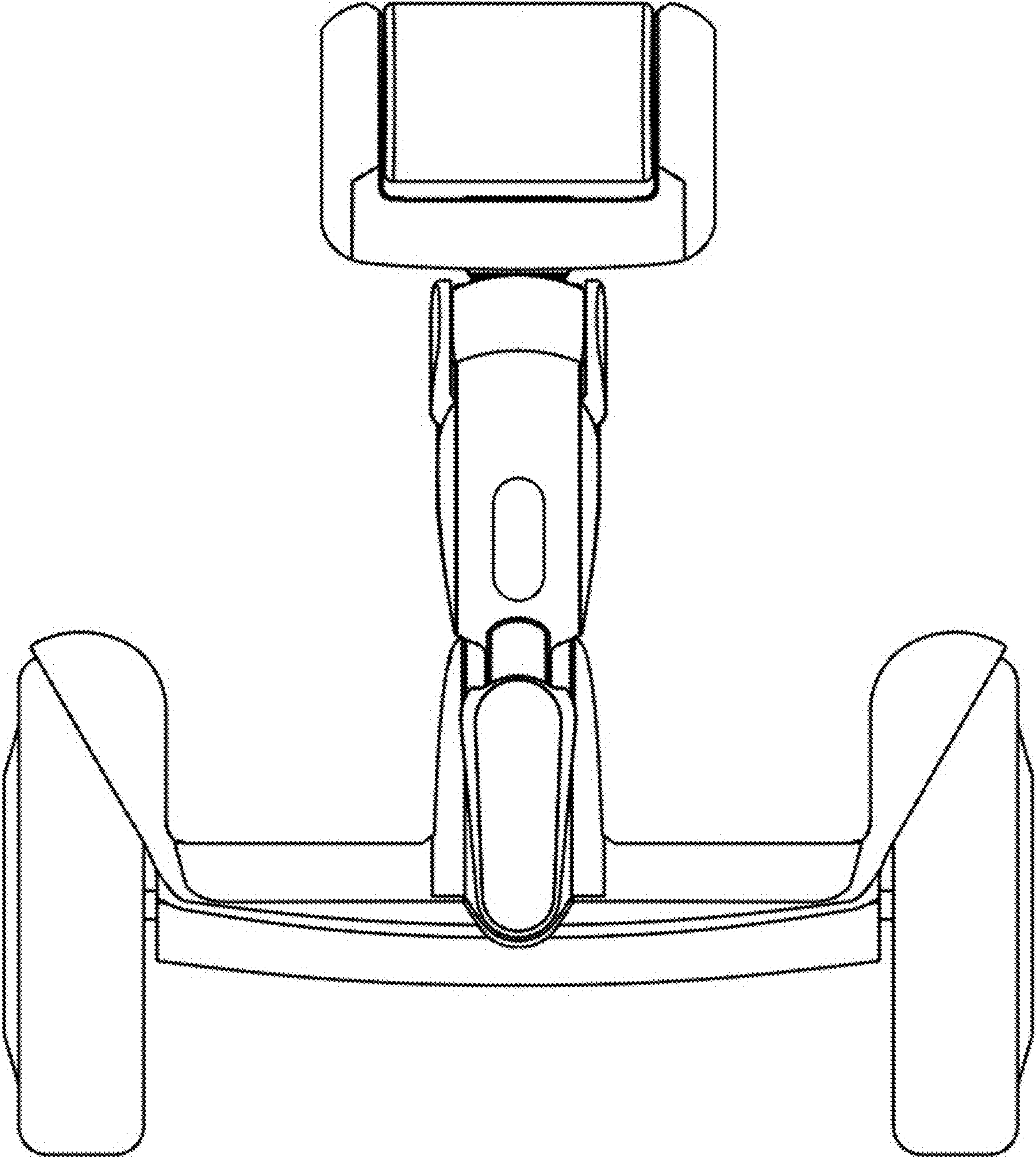
1.1



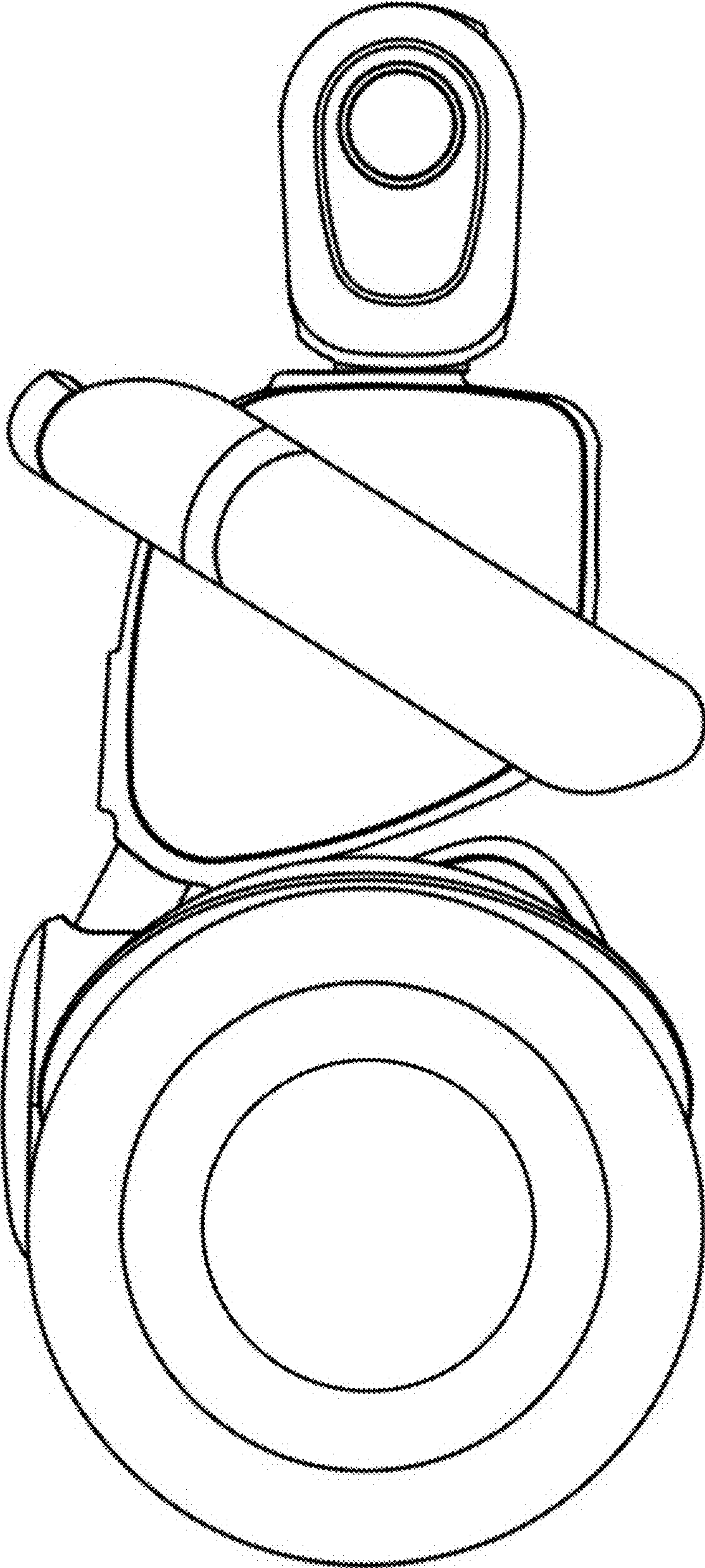
1.2



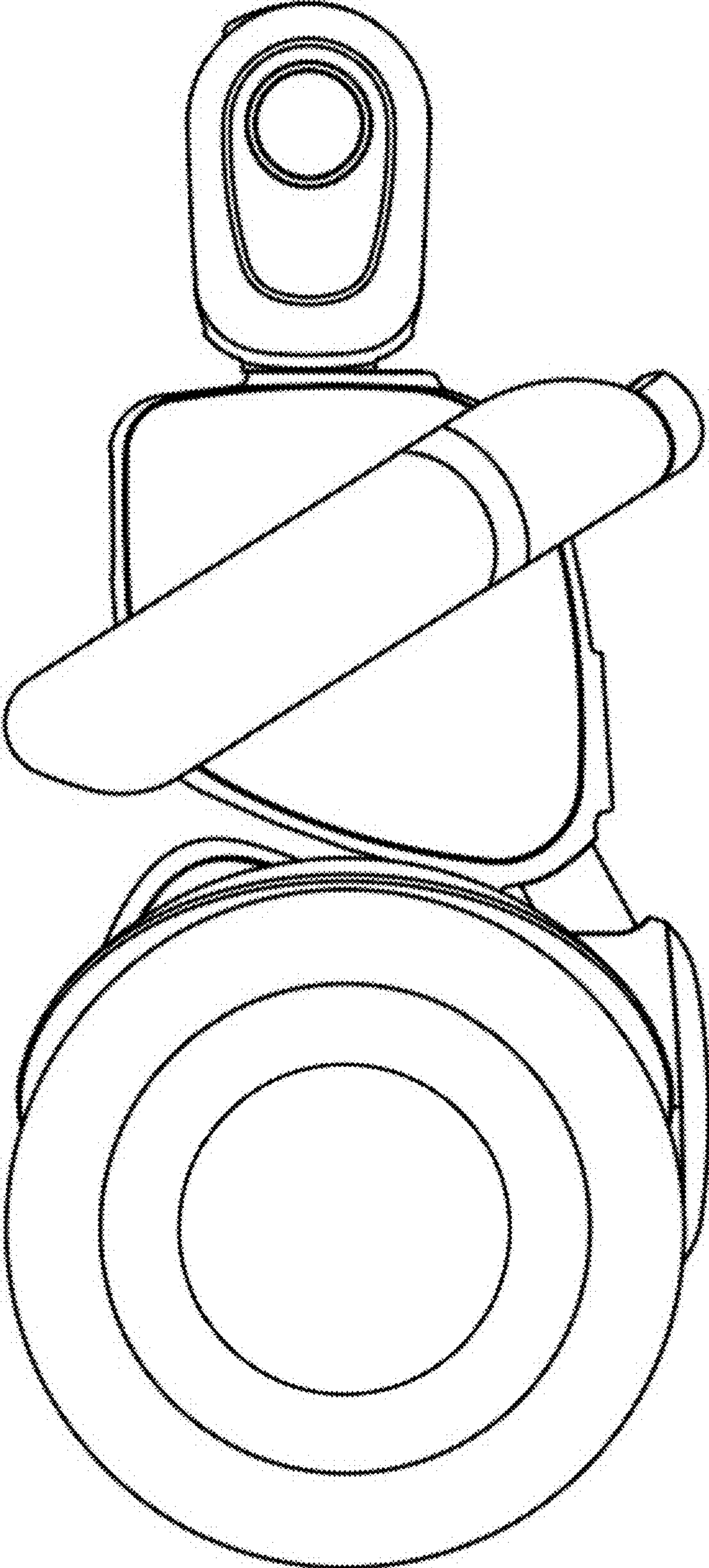
1.3



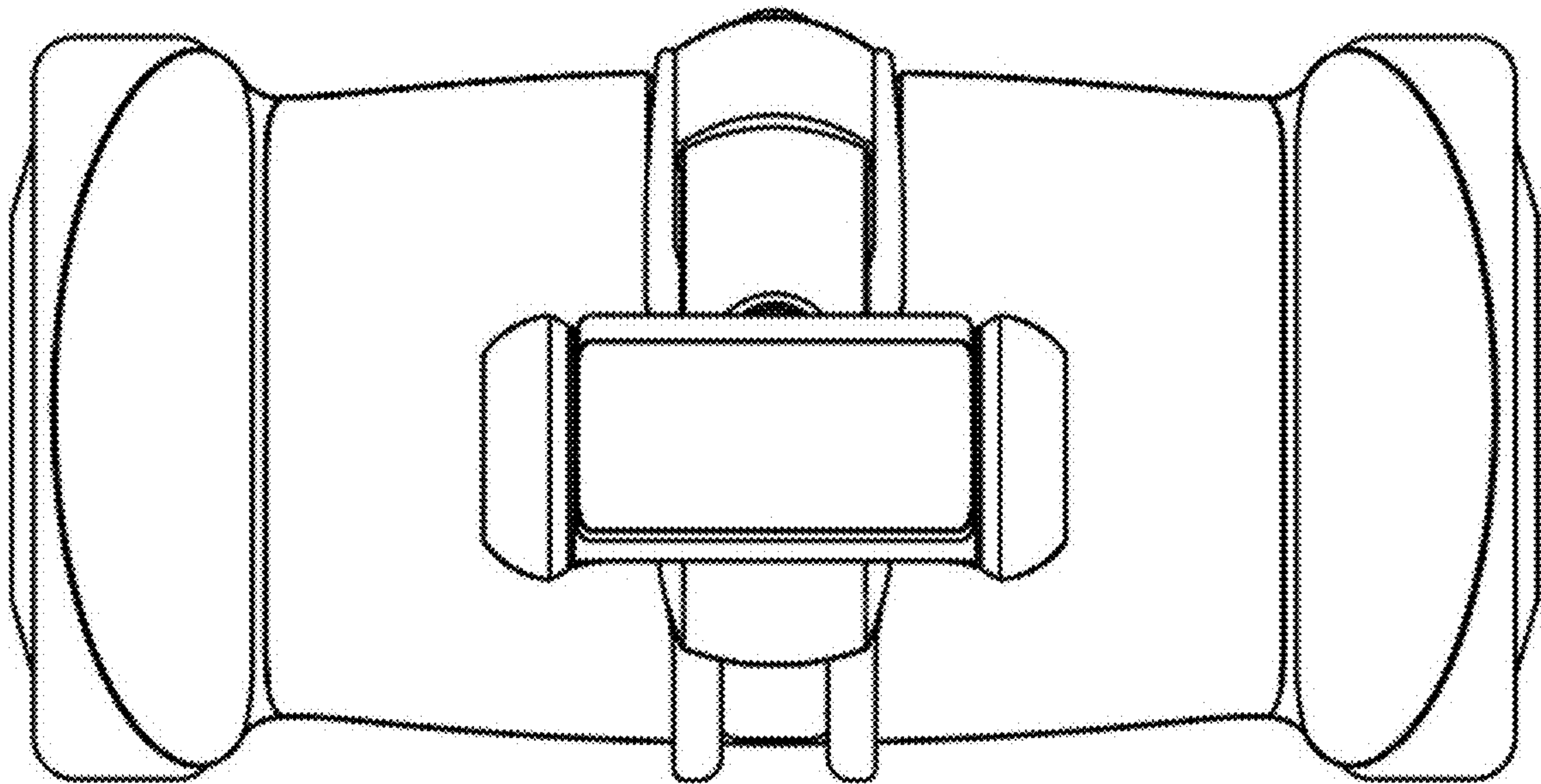
1.4



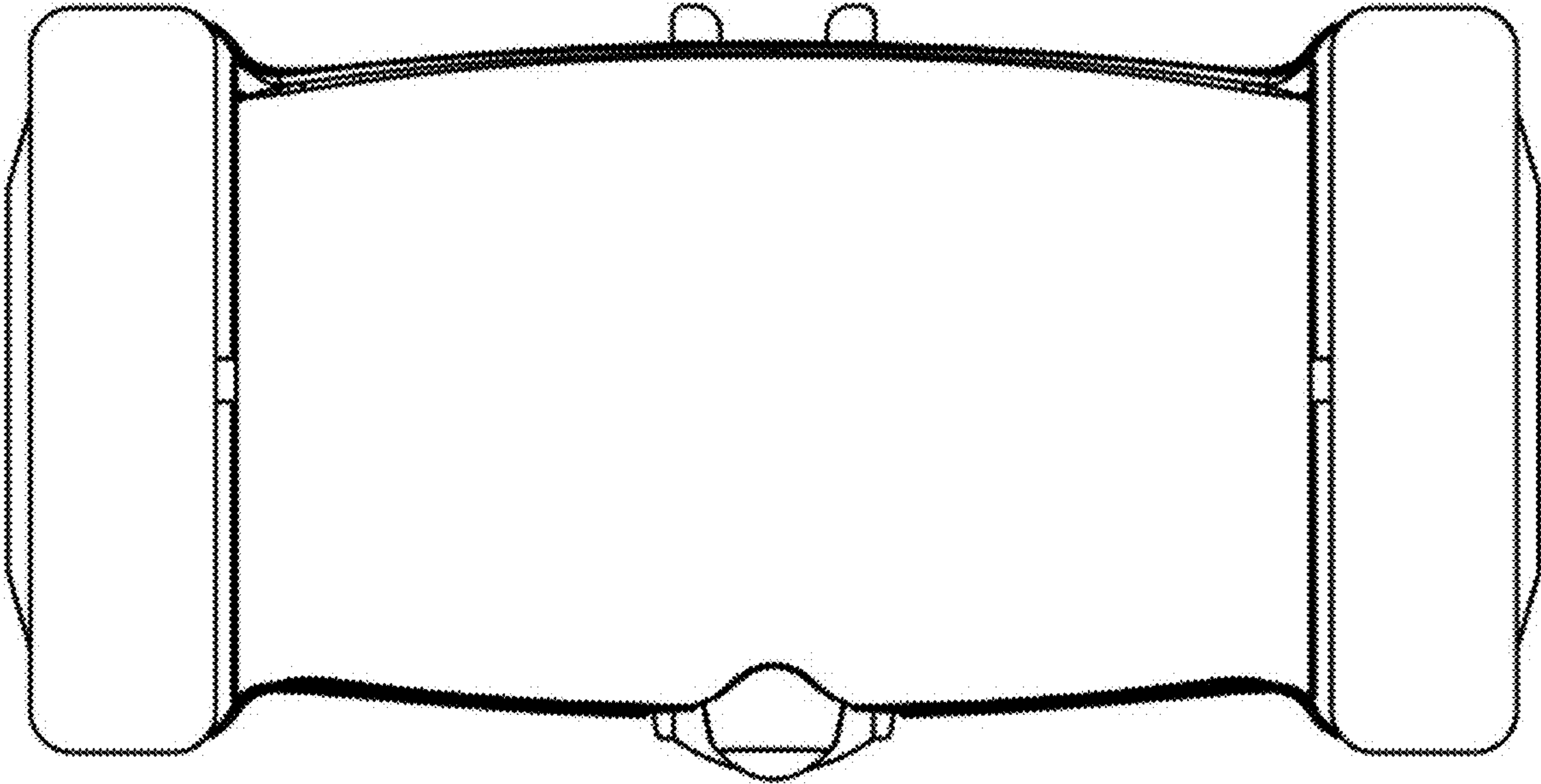
1.5



1.6



1.7



1.8

