



US00D837848S

(12) **United States Design Patent** (10) **Patent No.:** **US D837,848 S**  
**Murphy** (45) **Date of Patent:** **\*\* Jan. 8, 2019**

(54) **OXYGEN ACETYLENE TORCH CUTTING HANDLE WITH FLUSH MOUNT TRIGGER**

D343,629 S 1/1994 Bode  
D346,390 S 4/1994 Sperling  
D350,884 S 9/1994 Sperling

(Continued)

(71) Applicant: **Dan A. Murphy**, Two Harbors, MN (US)

(72) Inventor: **Dan A. Murphy**, Two Harbors, MN (US)

(\*\*) Term: **15 Years**

(21) Appl. No.: **29/625,747**

(22) Filed: **Nov. 13, 2017**

**Related U.S. Application Data**

(63) Continuation-in-part of application No. 29/571,476, filed on Jul. 19, 2015, now Pat. No. Des. 806,770.

(51) **LOC (11) Cl.** ..... **15-09**

(52) **U.S. Cl.**  
USPC ..... **D15/144.2; D8/30**

(58) **Field of Classification Search**  
USPC ..... D8/30, 107, 303; D15/144, 144.1, 2  
CPC ..... B23K 9/28; B23K 9/125; B23K 9/295;  
B23K 9/1336  
See application file for complete search history.

(56) **References Cited**

**U.S. PATENT DOCUMENTS**

D136,121 S *	8/1943	Baird	.....	D15/144
2,986,208 A *	5/1961	Aciego	.....	F23Q 2/48 431/276
D196,048 S *	8/1963	Kolterman	.....	D15/144
D207,977 S *	6/1967	Kensrue	.....	D15/144
D214,056 S *	5/1969	Trepanier	.....	D15/144
D214,445 S *	6/1969	Dahlman	.....	D15/144
D231,834 S *	6/1974	Gulrich	.....	D15/144
D261,476 S	10/1981	O'Donnell		
D269,519 S *	6/1983	Braun	.....	D15/138
D297,704 S *	9/1988	Bulow	.....	D15/144
D329,971 S	10/1992	Pryor		

**OTHER PUBLICATIONS**

CobraTorch, "What is Cobra Torch?", [http://cobratorch.net/index.php?option=com\\_content&view=category&layout=blog&id=25&Itemid=27](http://cobratorch.net/index.php?option=com_content&view=category&layout=blog&id=25&Itemid=27), Feb. 13, 2011.

*Primary Examiner* — Patricia A Palasik  
(74) *Attorney, Agent, or Firm* — Schroeder & Siegfried, P.A

(57) **CLAIM**

The ornamental design for an oxygen acetylene torch cutting handle with flush mount trigger, as shown and described.

**DESCRIPTION**

FIG. 1 is a perspective view of an oxygen acetylene torch cutting handle with flush mount trigger showing my new design;

FIG. 2 is a front elevational view;

FIG. 3 is a rear elevational view;

FIG. 4 is a right side elevational view;

FIG. 5 is a left side elevational view;

FIG. 6 is a bottom plan view;

FIG. 7 is a top plan view;

FIG. 8 is a perspective view of an alternative embodiment of an oxygen acetylene torch cutting handle with flush mount trigger.

FIG. 9 is a front elevational view;

FIG. 10 is a rear elevational view;

FIG. 11 is a right side elevational view;

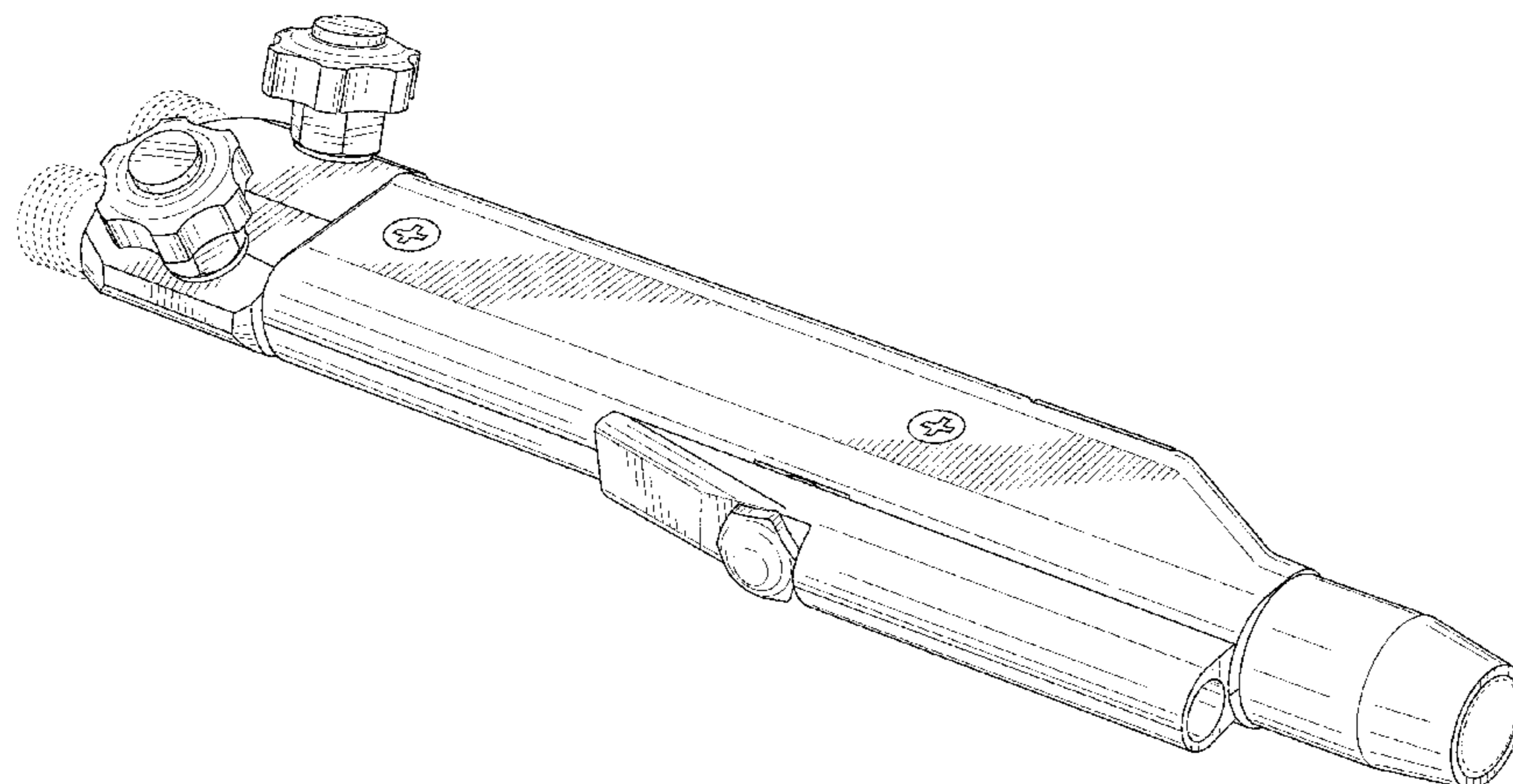
FIG. 12 is a left side elevational view;

FIG. 13 is a bottom plan view; and,

FIG. 14 is a top plan view.

The broken lines in the drawings represent environmental structure and form no part of the claimed design.

**1 Claim, 10 Drawing Sheets**



(56)

References Cited

U.S. PATENT DOCUMENTS

D382,500 S 8/1997 Johnson  
 D385,288 S \* 10/1997 Nakagawa ..... D15/138  
 5,849,243 A 12/1998 Cononie  
 D440,991 S \* 4/2001 Fujiwara ..... D15/144.2  
 6,225,599 B1 5/2001 Altekruise  
 D456,426 S \* 4/2002 Boyer ..... D15/144  
 D465,978 S 11/2002 Miyanaga  
 D486,368 S 2/2004 Jones  
 D488,968 S 4/2004 Kinerson  
 D489,079 S \* 4/2004 Homer-Richardson .... D15/144  
 6,815,641 B2 11/2004 Doherty  
 6,887,146 B2 5/2005 Staas  
 D532,432 S 11/2006 Owens  
 D535,166 S 1/2007 Kensrue  
 D537,092 S 2/2007 Owens  
 7,244,909 B2 7/2007 Kensrue  
 D555,446 S 11/2007 Picaza Ibarrrondo  
 D564,319 S 3/2008 Tsai

D615,573 S \* 5/2010 Peters ..... D15/144  
 D638,270 S 5/2011 Flattinger  
 D647,382 S 10/2011 Flattinger  
 D659,496 S 5/2012 Mochizuki  
 D683,773 S \* 6/2013 Boyer ..... D15/144  
 D698,378 S \* 1/2014 Leiteritz ..... D15/144.2  
 D698,835 S 2/2014 Juskowich  
 D703,251 S 4/2014 Raboin  
 D711,946 S 8/2014 Raboin  
 D735,002 S 7/2015 Bondy  
 D735,786 S \* 8/2015 Sallander ..... D15/144  
 D771,727 S \* 11/2016 Imi ..... D15/144  
 D806,152 S \* 12/2017 Whited ..... D15/144.2  
 D806,770 S \* 1/2018 Murphy ..... D15/144.2  
 D813,627 S \* 3/2018 Tsai ..... D8/30  
 D813,628 S \* 3/2018 Tsai ..... D8/30  
 D820,331 S \* 6/2018 Walters ..... D15/144  
 2003/0224707 A1 12/2003 Segiel, Jr.  
 2011/0062131 A1 3/2011 Binzel  
 2015/0069040 A1 3/2015 Mayr

\* cited by examiner

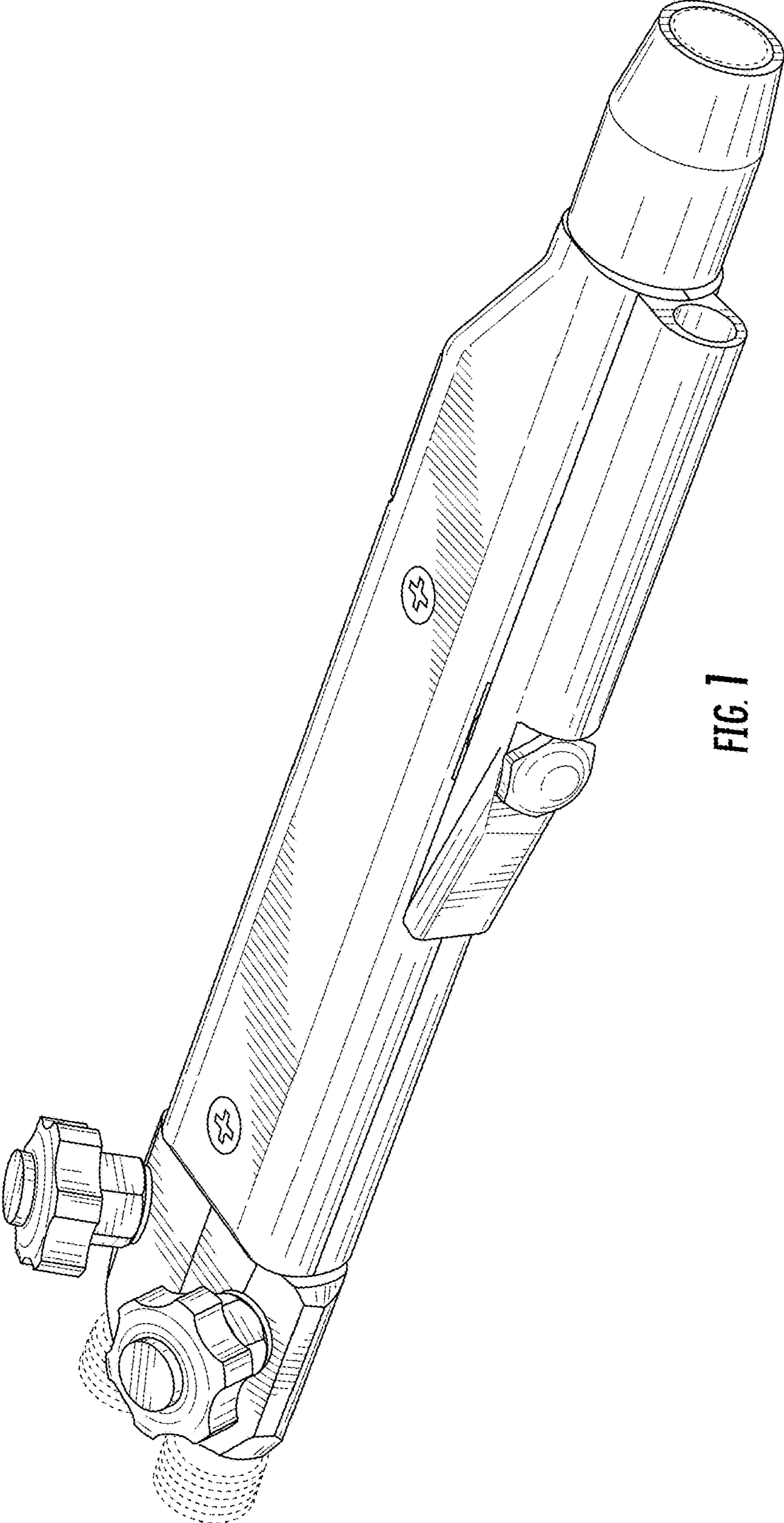


FIG. 1

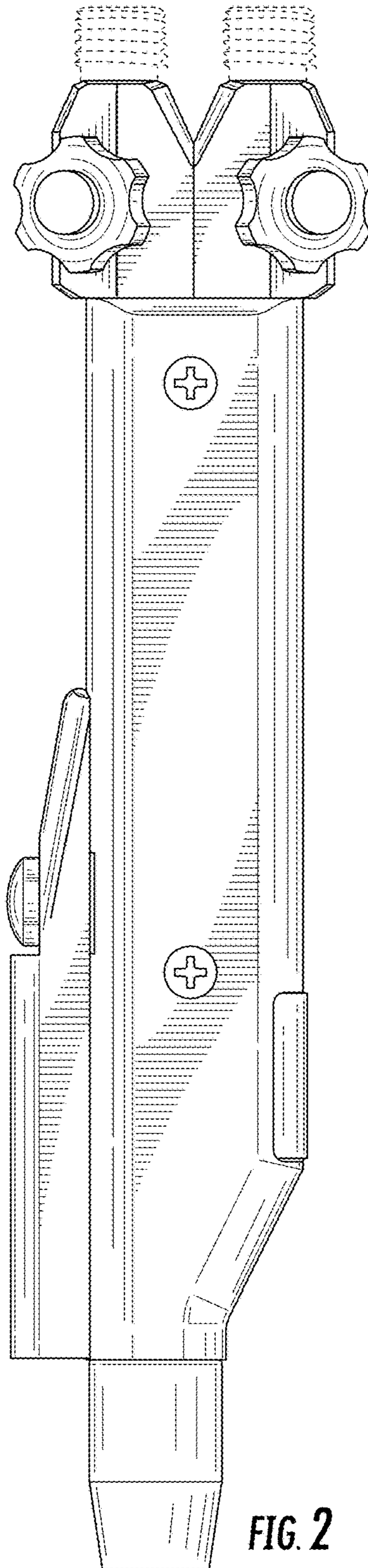


FIG. 2

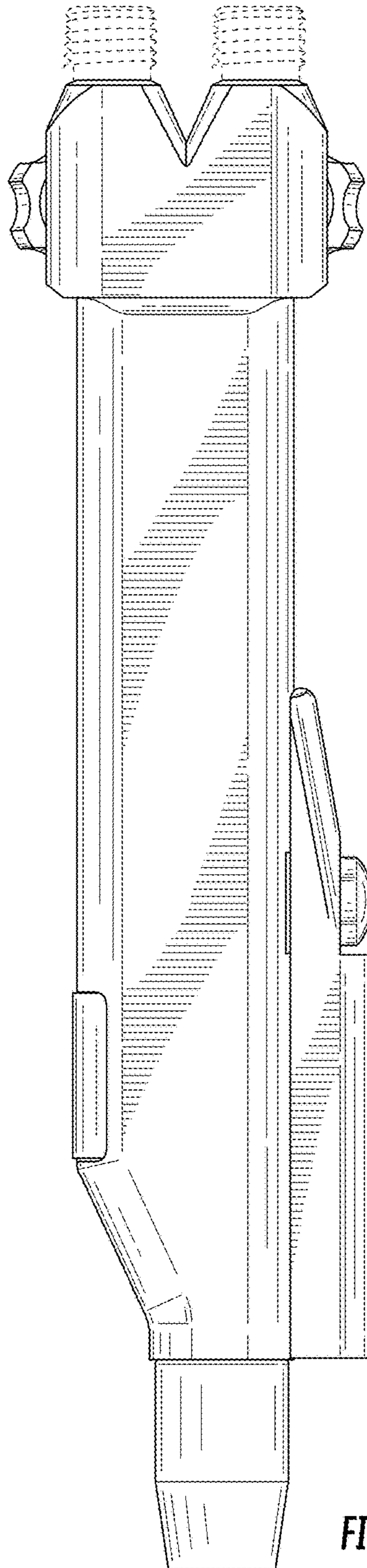


FIG. 3

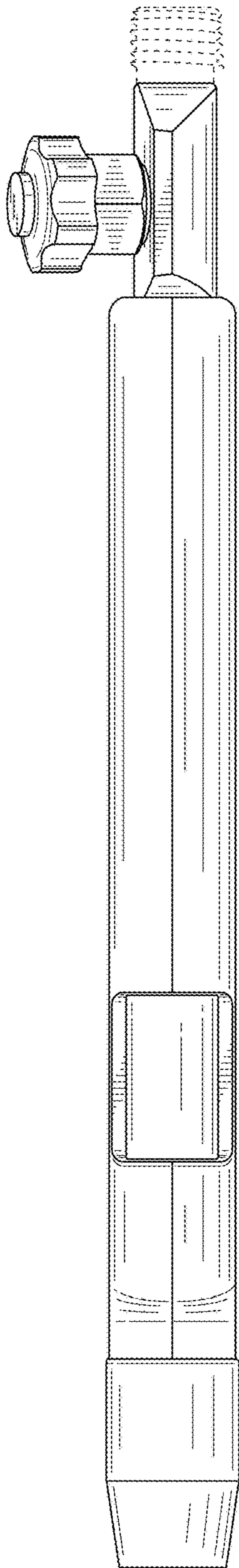


FIG. 4

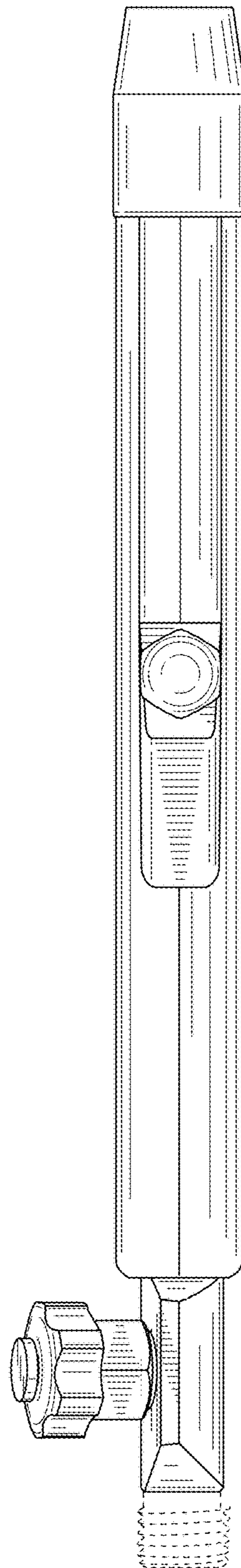
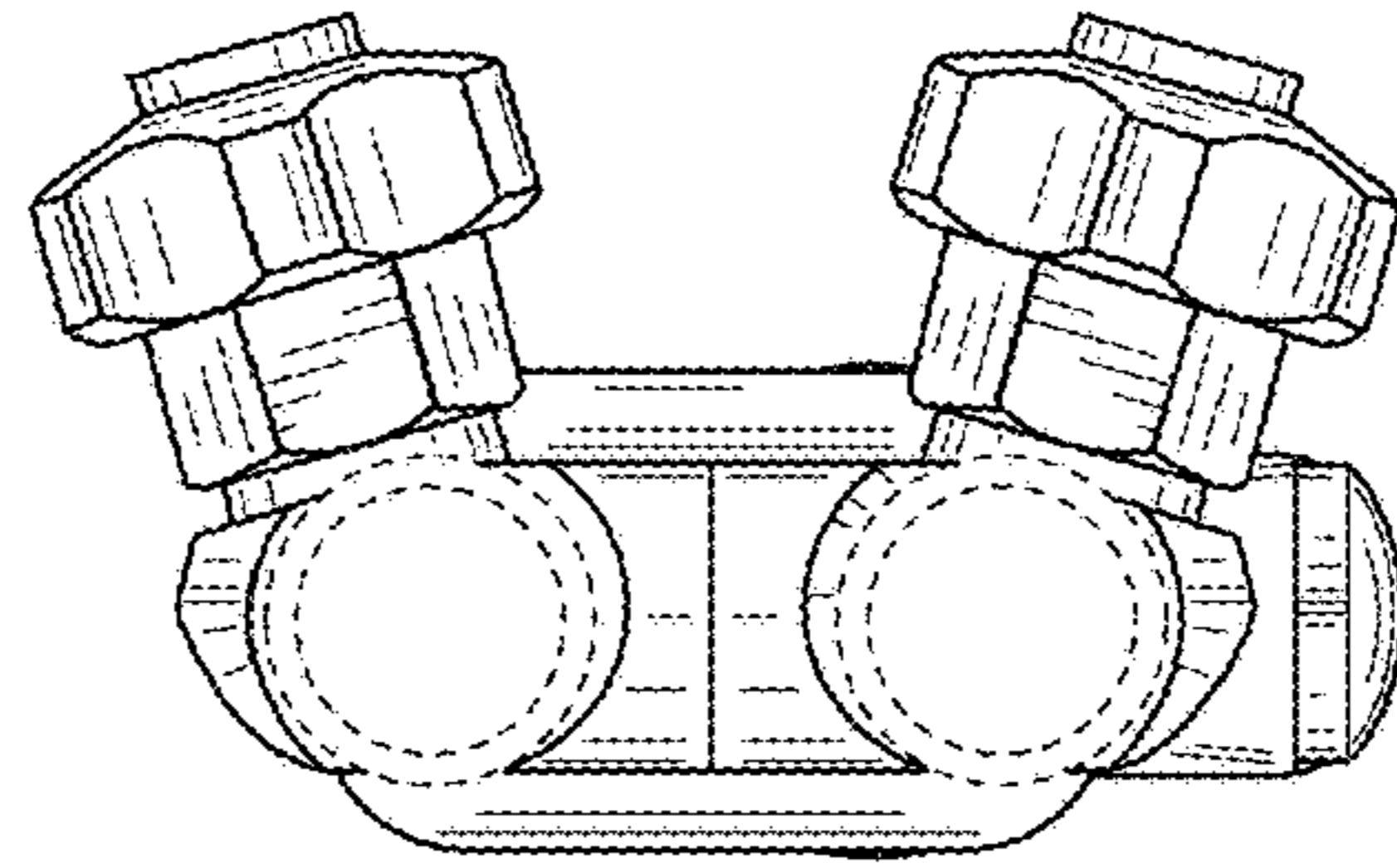
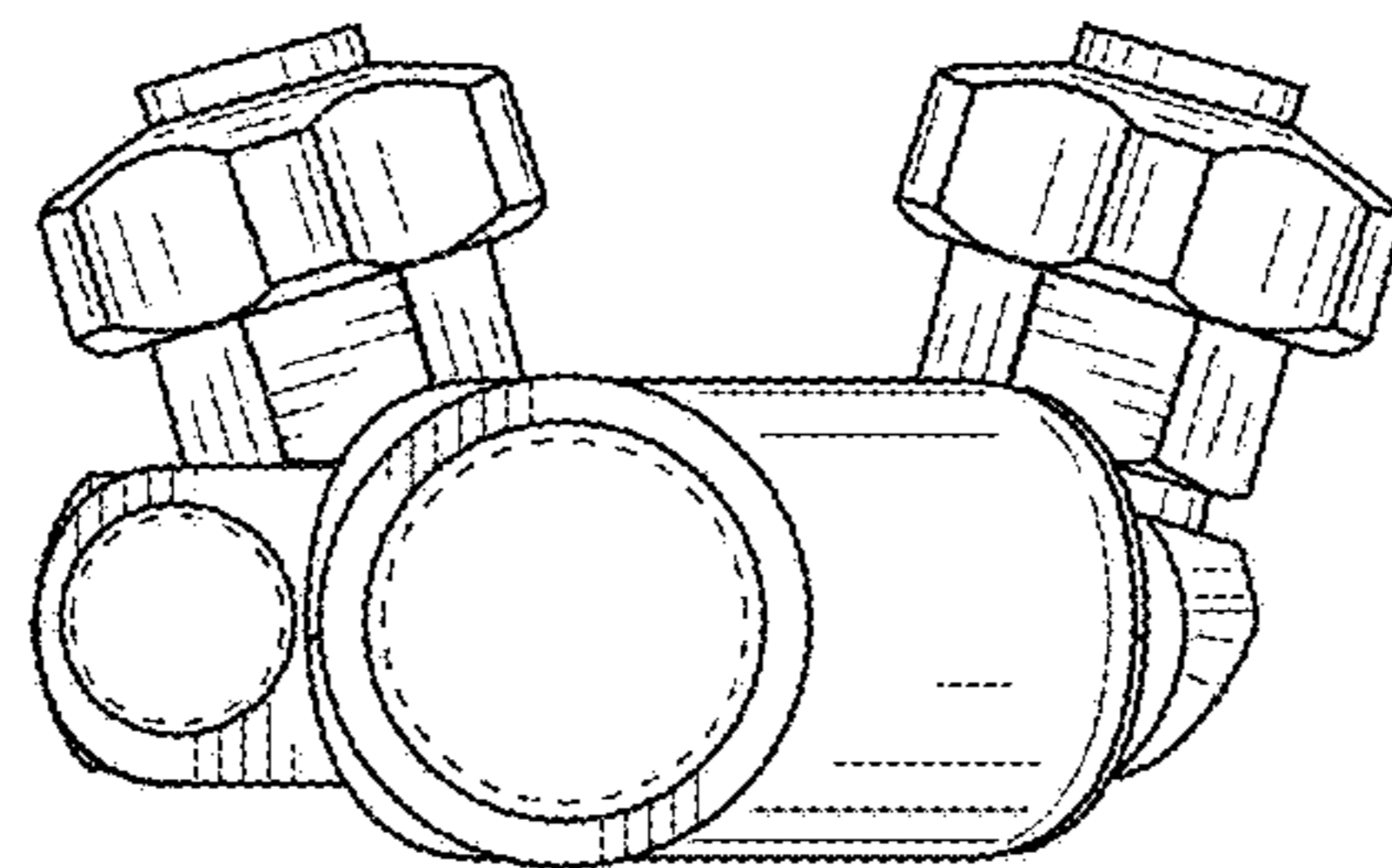


FIG. 5



**FIG. 6**



**FIG. 7**

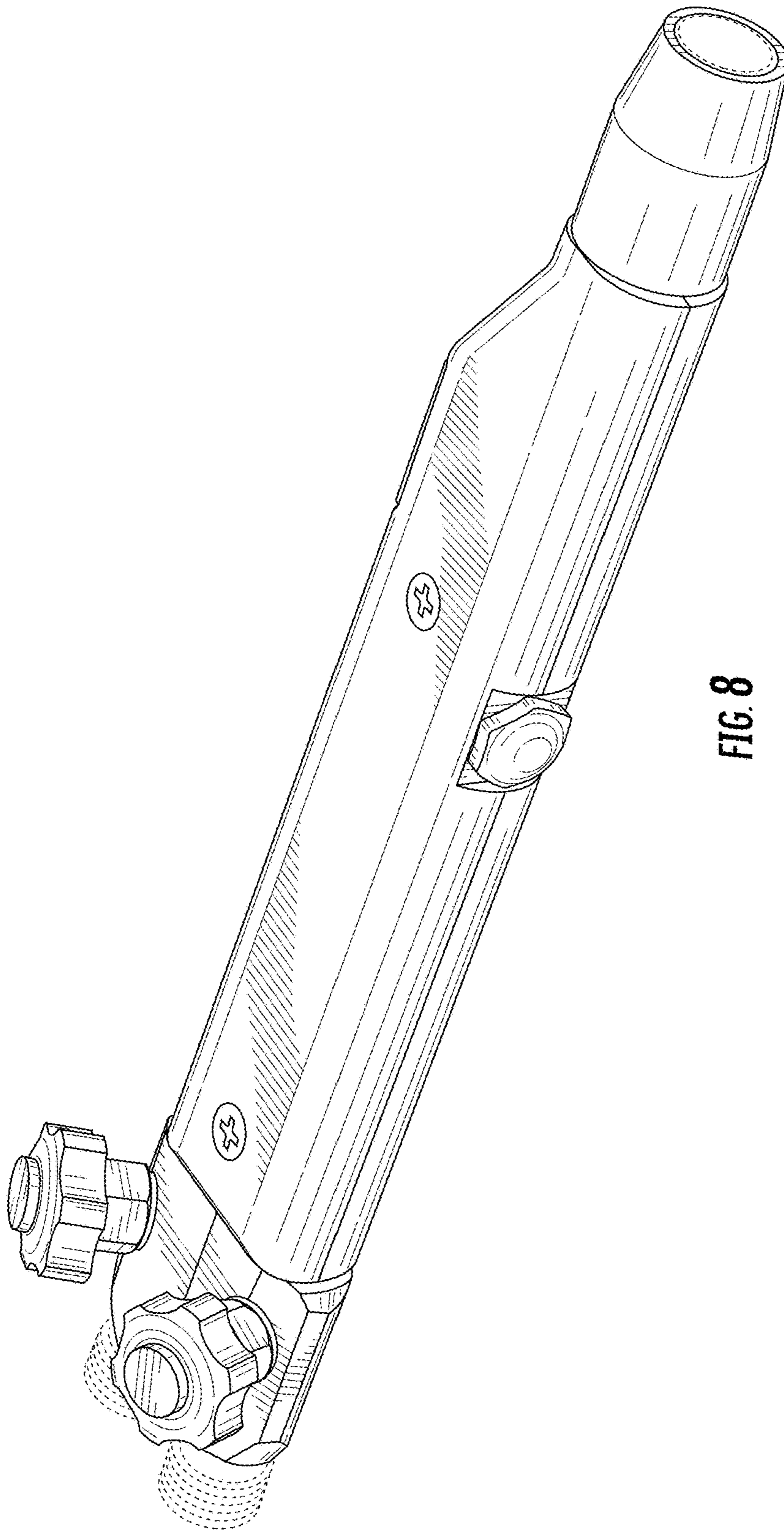


FIG. 8



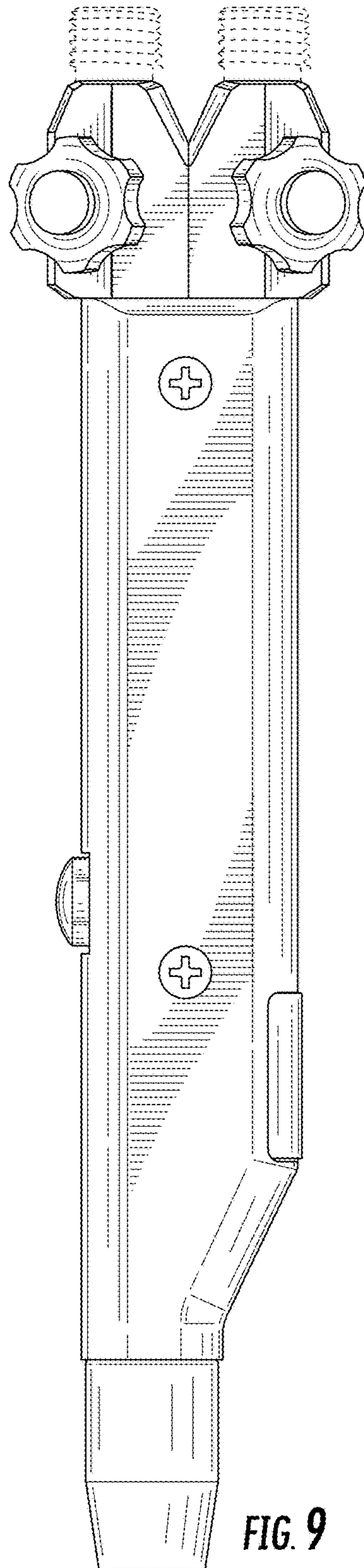


FIG. 9

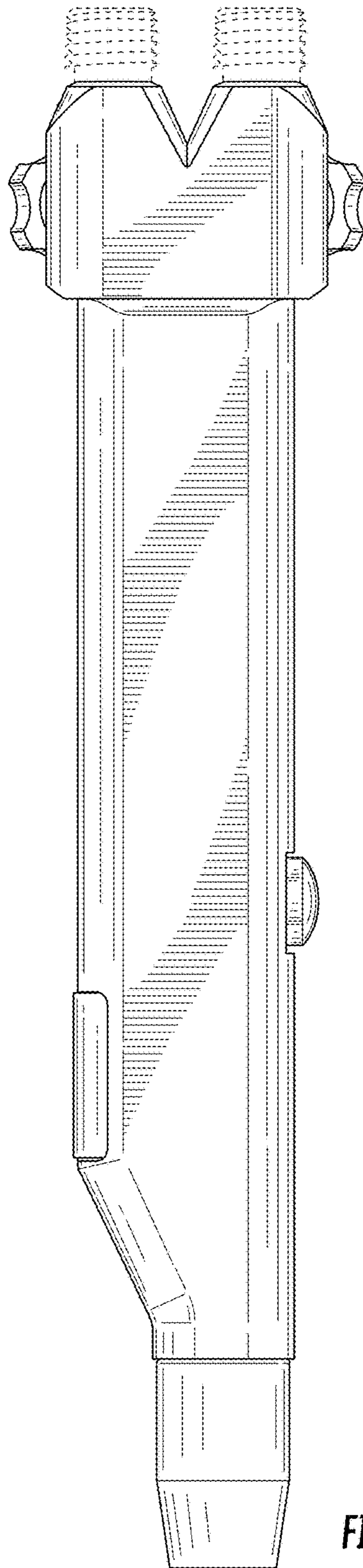


FIG. 10

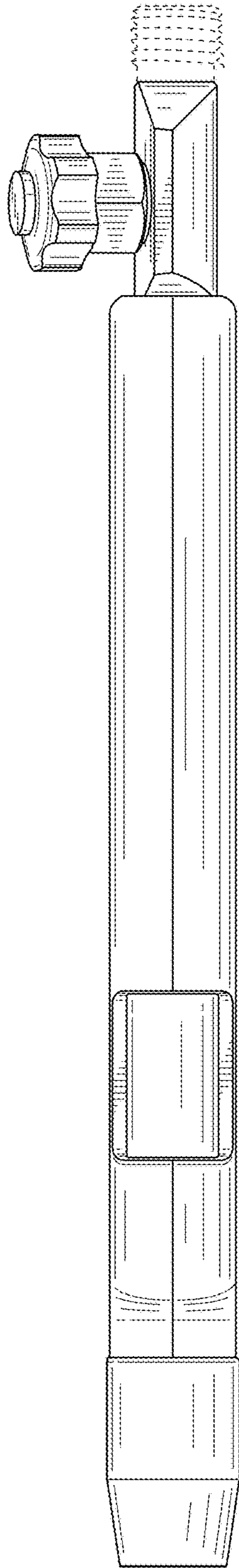


FIG. 11

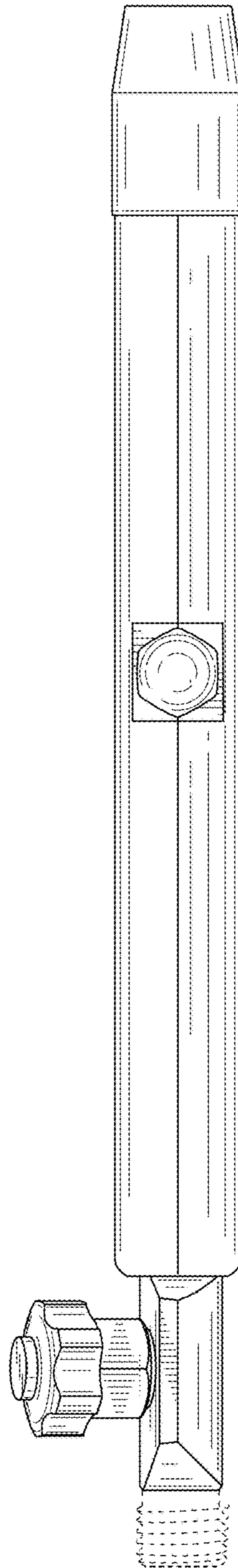
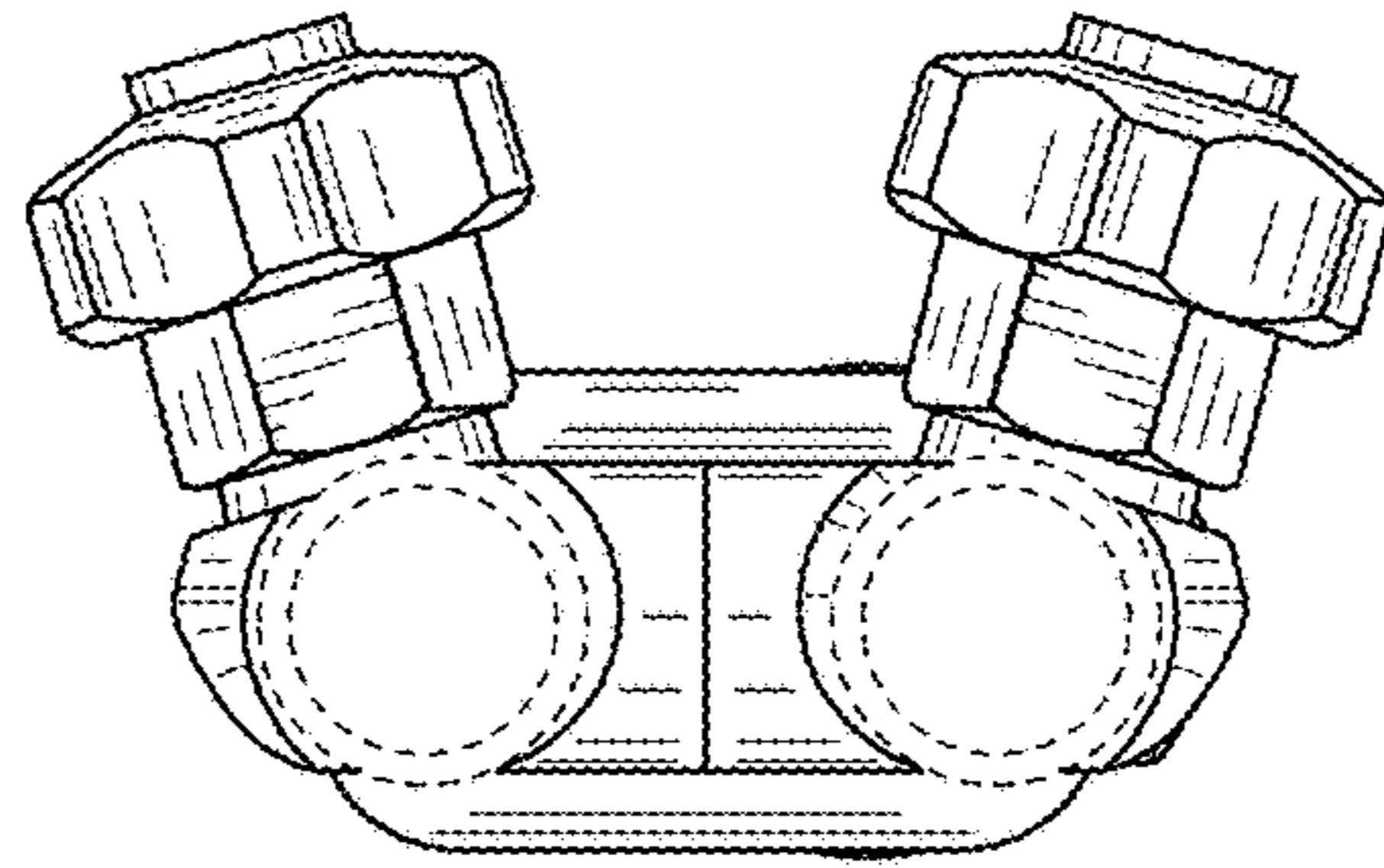
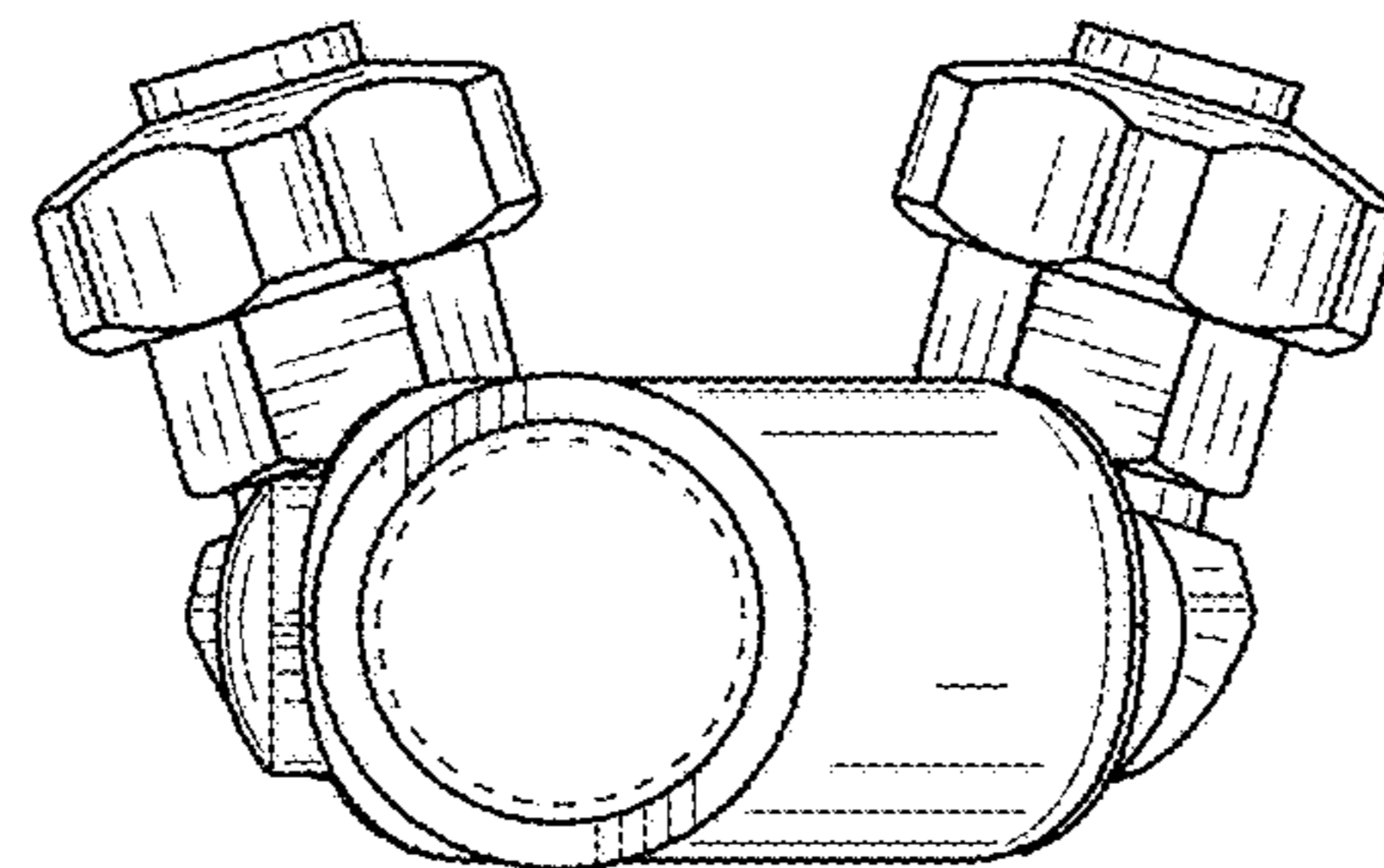


FIG. 12



**FIG. 13**



**FIG. 14**