



US00D837847S

(12) **United States Design Patent**
Min et al.

(10) **Patent No.:** **US D837,847 S**

(45) **Date of Patent:** **** Jan. 8, 2019**

(54) **GROOVE CUTTING TOOL**

(71) Applicant: **KORLOY INC.**, Seoul (KR)

(72) Inventors: **Byung Hoon Min**, Cheongju-si (KR);
Sung Guen Shin, Cheongju-si (KR);
Dong Sub An, Cheongju-si (KR); **Hyo San Kim**, Cheongju-si (KR); **Young Heum Kim**, Cheongju-si (KR)

(**) Term: **15 Years**

(21) Appl. No.: **35/504,037**

(22) Filed: **Oct. 16, 2017**

(80) **Hague Agreement Data**

Int. Filing Date: **Oct. 16, 2017**

Int. Reg. No.: **DM/098538**

Int. Reg. Date: **Oct. 16, 2017**

Int. Reg. Pub. Date: **Dec. 1, 2017**

(30) **Foreign Application Priority Data**

Jun. 13, 2017 (KR) 30-2017-0026718

(51) **LOC (11) Cl.** **15-09**

(52) **U.S. Cl.**
USPC **D15/139**
CPC **B23C 5/207** (2013.01)

(58) **Field of Classification Search**
USPC D15/122-143; 407/113-117, 42
CPC B23C 5/207; B23C 5/109
See application file for complete search history.

(56) **References Cited**

U.S. PATENT DOCUMENTS

D304,949 S * 12/1989 Niebauer D15/139
D305,239 S * 12/1989 Niebauer D15/139
5,145,295 A * 9/1992 Satran B23C 5/2213
407/113
5,207,538 A * 5/1993 Satran B23C 5/2213
407/113

D342,269 S * 12/1993 Arai D15/139
D344,276 S * 2/1994 Markusson D15/139
D345,984 S * 4/1994 Ishikawa D15/139
D345,985 S * 4/1994 Ishikawa D15/139
D355,661 S * 2/1995 Hessman D15/139
D357,692 S * 4/1995 Ishikawa D15/139
D376,158 S * 12/1996 Hessman D15/139
D381,026 S * 7/1997 Hessman D15/139
D409,633 S * 5/1999 Bernadic D15/139
D422,608 S * 4/2000 Malaker D15/139
D425,086 S * 5/2000 Bernadic D15/139
D488,175 S * 4/2004 Kasperik D15/139
7,168,512 B2 * 1/2007 Schuffenhauer B23C 5/207
175/426
D585,467 S * 1/2009 Takanashi D15/139
D589,542 S * 3/2009 Takanashi D15/139
2015/0202697 A1 * 7/2015 Shiota B23C 5/109
407/42
2015/0246398 A1 * 9/2015 Kawasaki B23B 51/048
408/231

OTHER PUBLICATIONS

“Insert Tip”, Catalogue—Backjeemt Co., 18th International mold and relevant apparatus exhibition, Mar. 22, 2007.

* cited by examiner

Primary Examiner — Richard E Chilcot

(74) *Attorney, Agent, or Firm* — Rabin & Berdo, P.C.

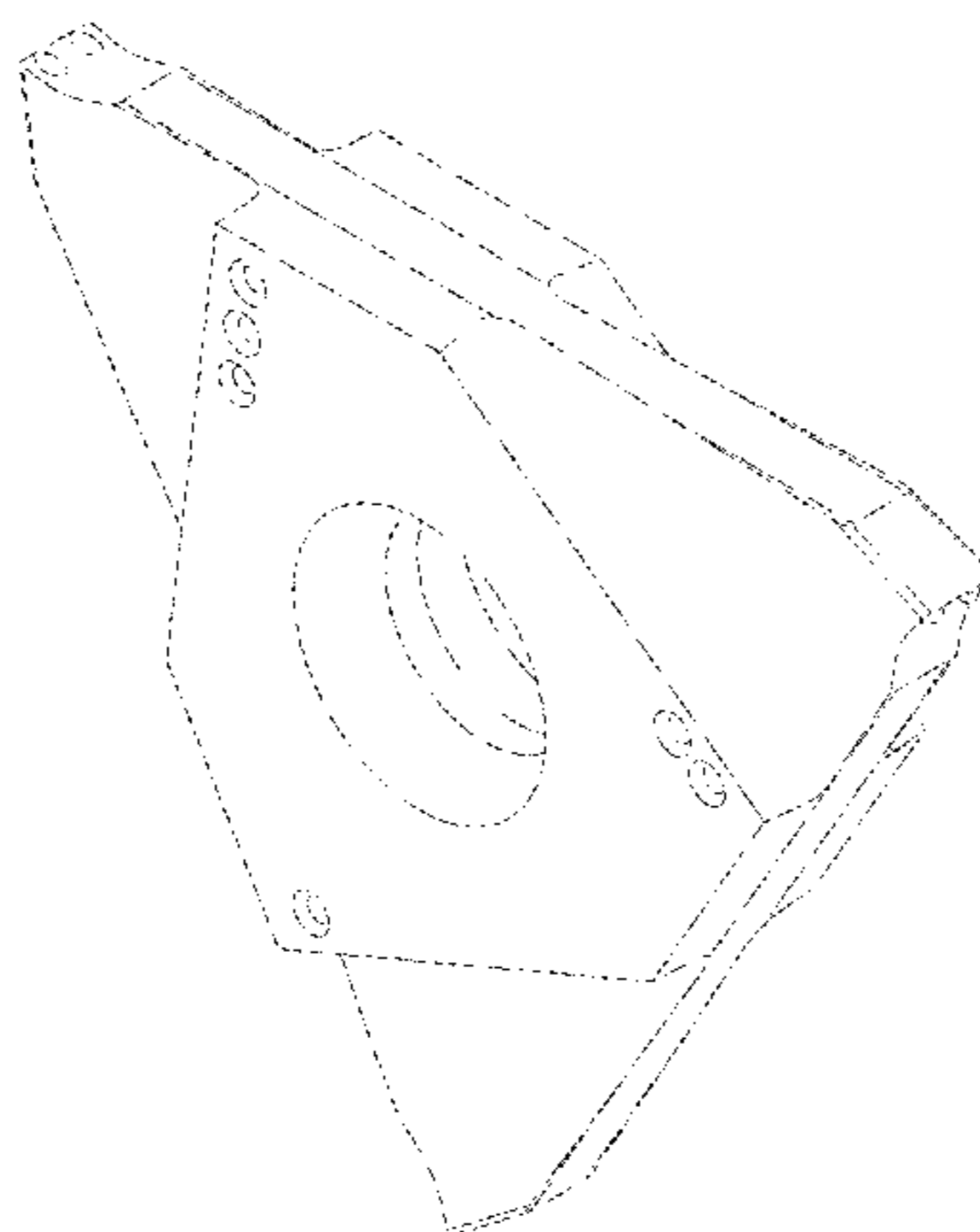
(57) **CLAIM**

The ornamental design for a groove cutting tool, as shown and described.

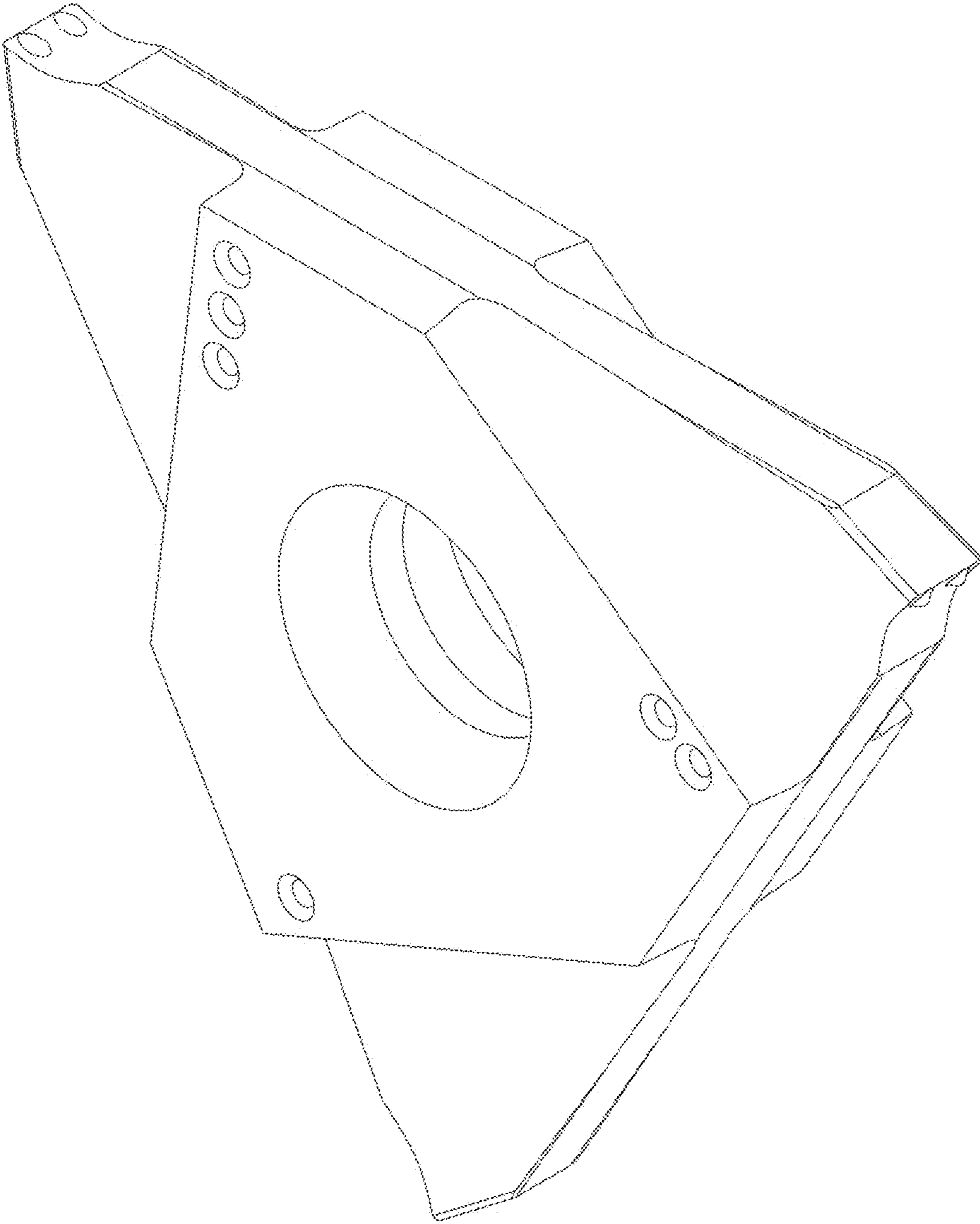
DESCRIPTION

- 1. Groove cutting tool
- 1.1 : Perspective
- 1.2 : Front
- 1.3 : Back
- 1.4 : Top
- 1.5 : Bottom
- 1.6 : Left
- 1.7 : Right

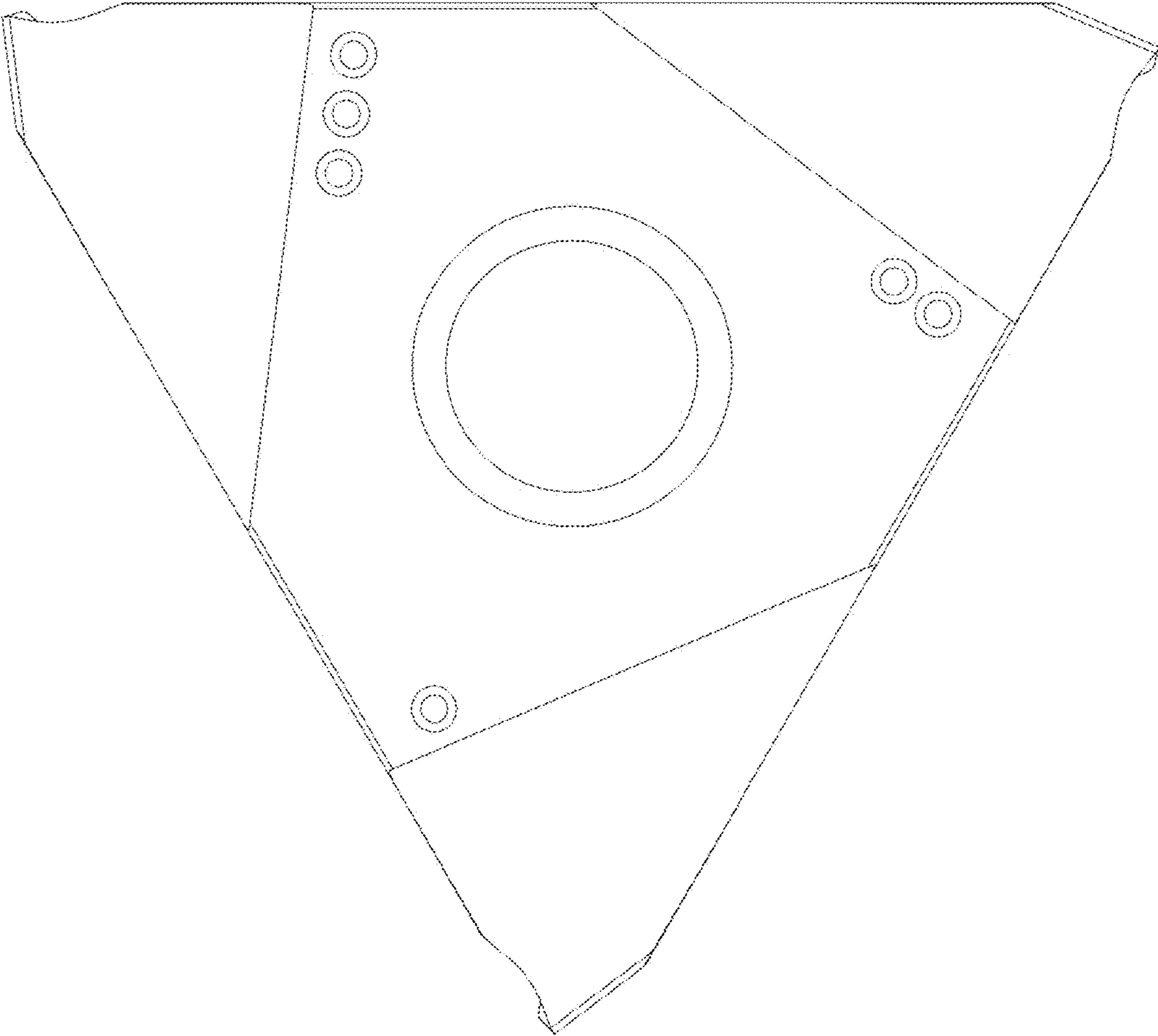
1 Claim, 7 Drawing Sheets



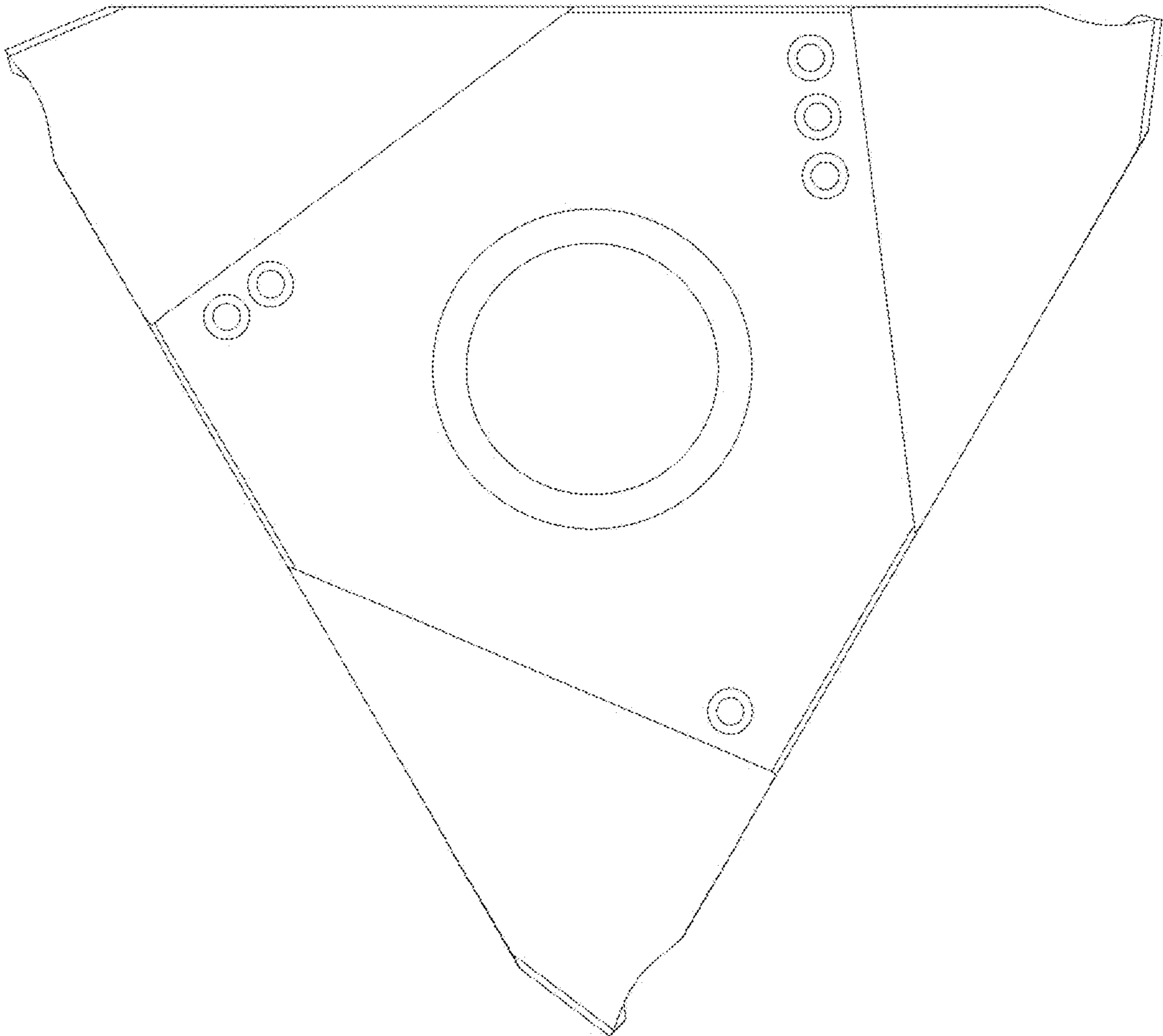
1.1



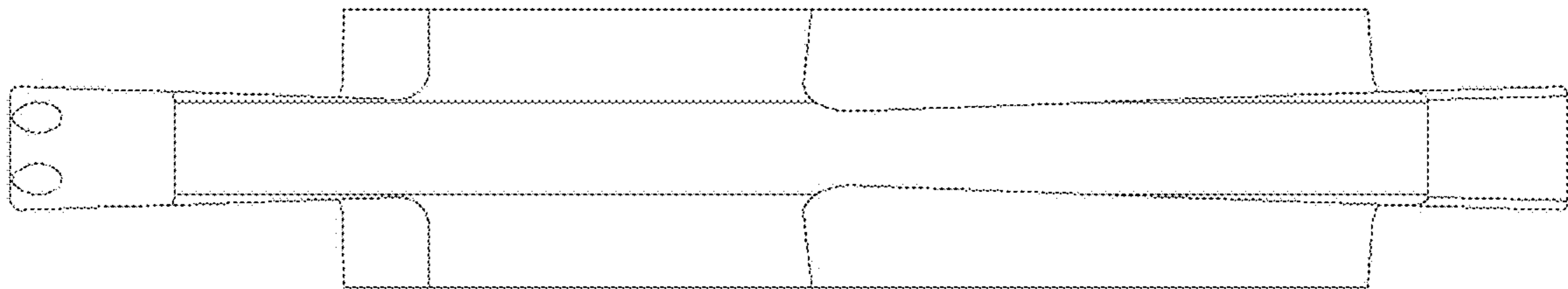
1.2



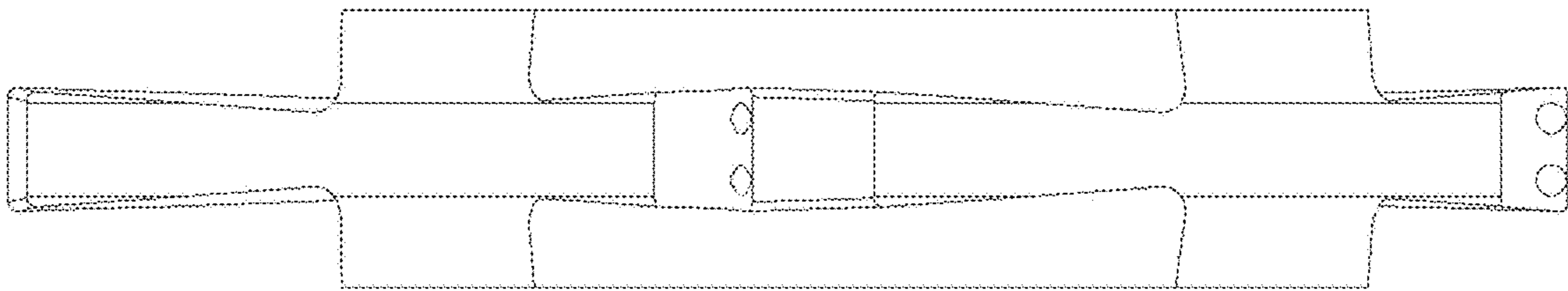
1.3



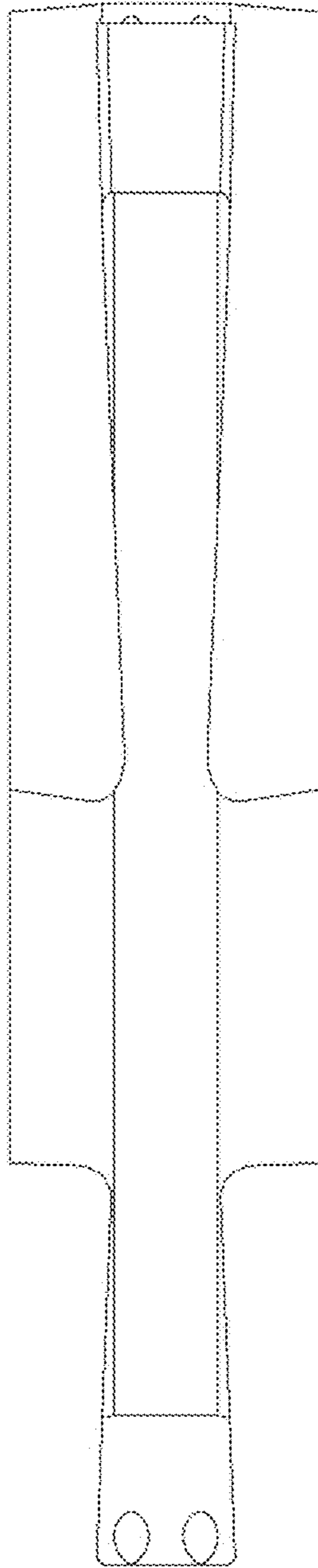
1.4



1.5



1.6



1.7

