



US00D837845S

(12) **United States Design Patent**
Jones et al.

(10) **Patent No.:** **US D837,845 S**
(45) **Date of Patent:** **** Jan. 8, 2019**

(54) **REPLACEABLE PROCESSING HEAD FOR
COMPUTER NUMERICAL CONTROL (CNC)
MACHINES**

(71) Applicant: **Hybrid Manufacturing Technologies
LLC, Plano, TX (US)**

(72) Inventors: **Jason B. Jones, Fairview, TX (US);
Peter Coates, Sutton Coldfield (GB)**

(73) Assignee: **Hybrid Manufacturing Technologies
LLC, Plano, TX (US)**

(**) Term: **15 Years**

(21) Appl. No.: **29/649,947**

(22) Filed: **Jun. 4, 2018**

Related U.S. Application Data

(62) Division of application No. 29/598,816, filed on Mar. 29, 2017, now Pat. No. Des. 820,893, which is a division of application No. 29/493,266, filed on Jun. 6, 2014, now Pat. No. Des. 786,323.

(51) **LOC (11) Cl.** **15-09**

(52) **U.S. Cl.**
USPC **D15/138**

(58) **Field of Classification Search**
USPC D8/70, 71; D15/122, 131, 132, 138, 139
CPC B23Q 1/626; B23Q 11/0017; Y10T 29/50;
Y10T 408/92; Y10T 409/308288; Y10T
409/309576; Y10T 409/309688
See application file for complete search history.

(56) **References Cited**

U.S. PATENT DOCUMENTS

4,513,540 A * 4/1985 Dzewaltowski B23Q 15/14
451/226
4,616,398 A * 10/1986 Rutschle B23B 31/006
29/26 A

4,981,402 A * 1/1991 Krenzer B23F 9/00
409/26
5,309,368 A * 5/1994 Chern B23Q 3/1576
483/14
5,340,962 A * 8/1994 Schmidt B23K 26/04
219/121.78
5,634,250 A * 6/1997 Mihailovic B23F 17/00
29/26 A
5,808,893 A * 9/1998 Pugh B23G 1/04
29/38 B
5,915,892 A * 6/1999 Glimpel B23B 31/083
279/16
6,022,132 A * 2/2000 Schulz G05B 19/4184
318/569

(Continued)

Primary Examiner — Patricia A Palasik

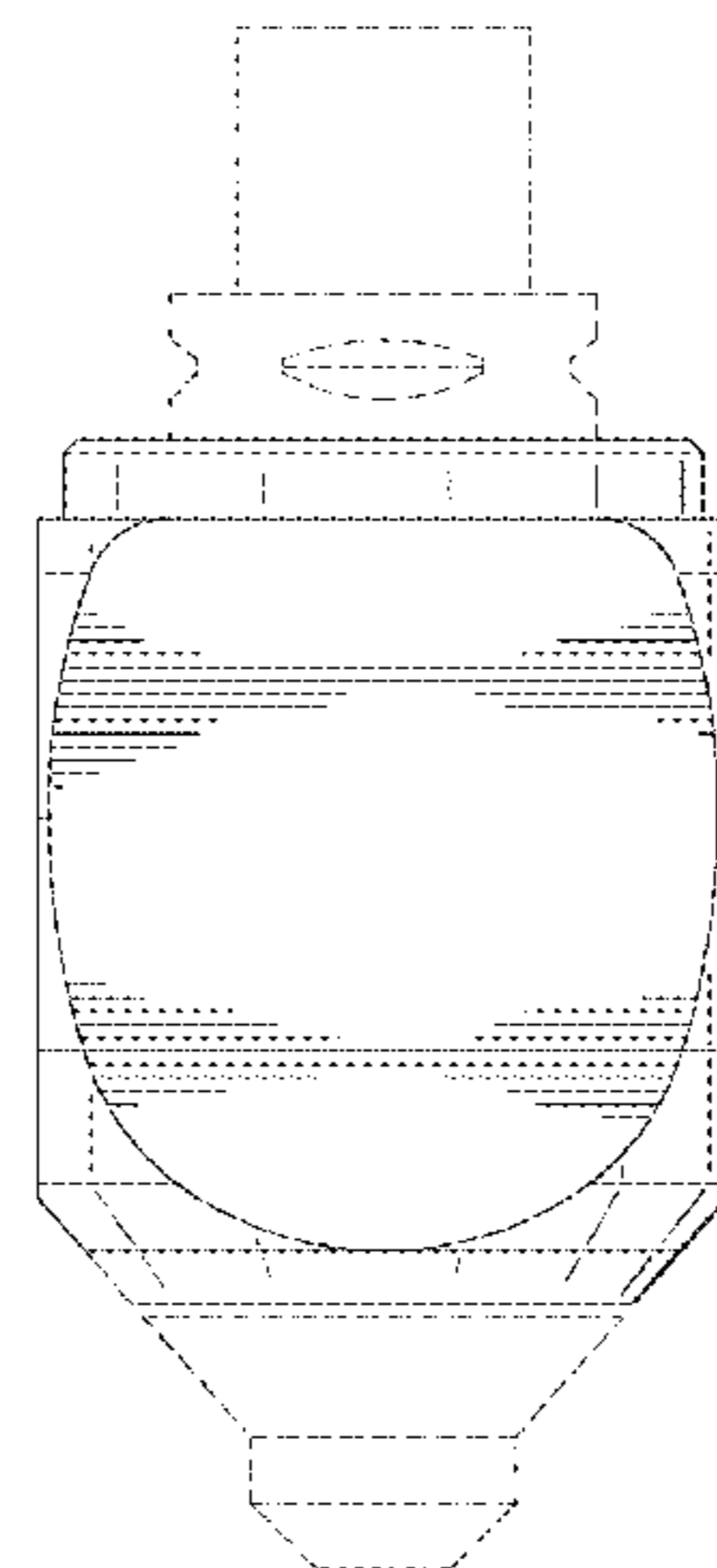
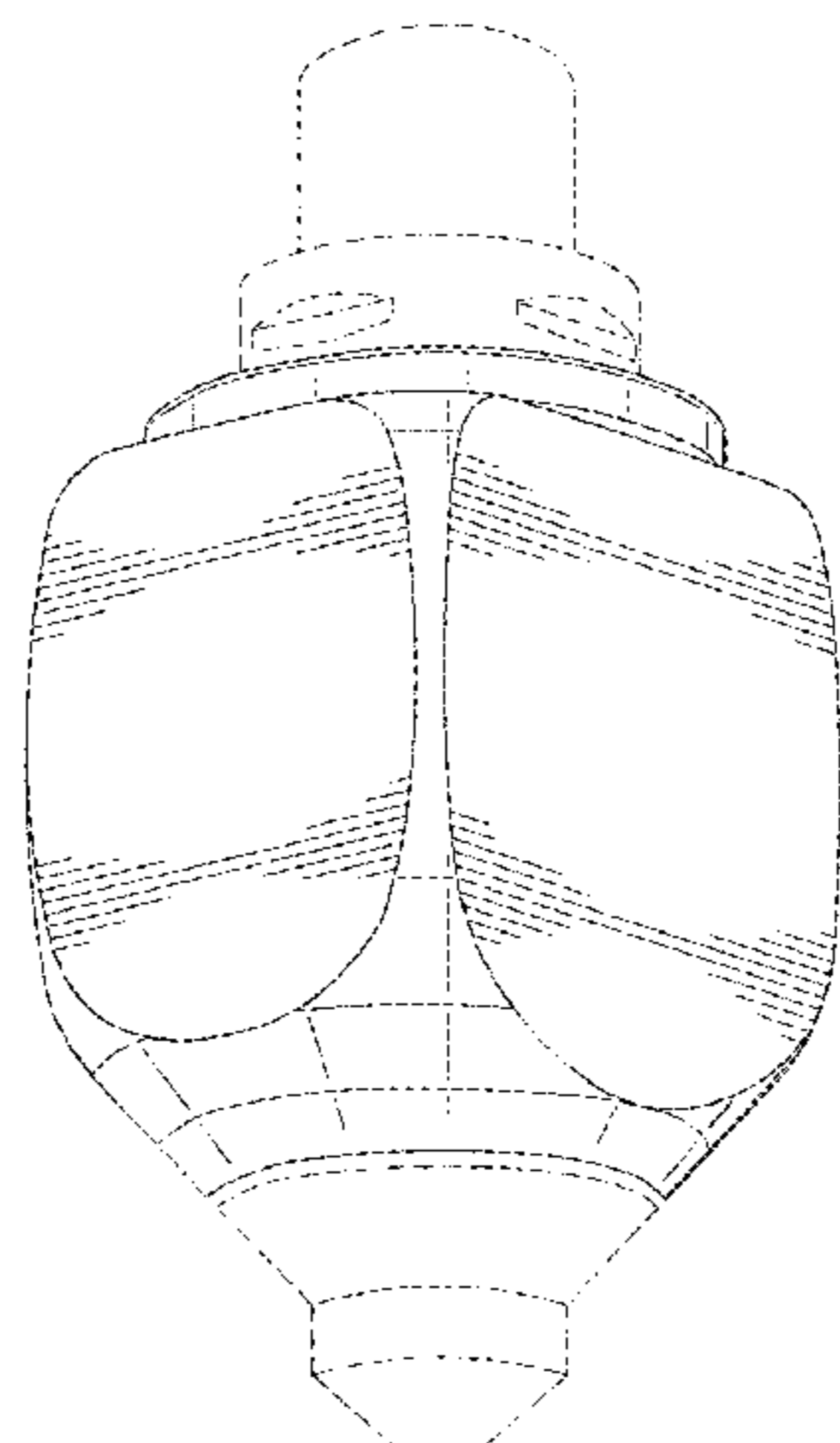
(57) **CLAIM**

The ornamental design for a replaceable processing head for a computer numerical control (CNC) machine, as shown and described.

DESCRIPTION

FIG. 1 is a front perspective view of a replaceable processing head for CNC machines;
FIG. 2 is a front elevation view of the replaceable processing head of FIG. 1;
FIG. 3 is a rear elevation view of the replaceable processing head of FIG. 1;
FIG. 4 is a side view of the replaceable processing head of FIG. 1;
FIG. 5 is a top view of the replaceable processing head of FIG. 1;
FIG. 6 is a bottom view of the replaceable processing head of FIG. 1; and,
FIG. 7 is a rear perspective view of the replaceable processing head of FIG. 1.
Broken lines in the drawings show environmental structures or boundaries that form no part of the design to be patented.

1 Claim, 3 Drawing Sheets



(56)

References Cited

U.S. PATENT DOCUMENTS

6,050,760 A *	4/2000	A-Tung	B23Q 37/002 409/203	7,467,449 B1 *	12/2008	Lee	B23B 39/06 29/26 A
6,059,494 A *	5/2000	Susnjara	B23Q 11/006 408/11	7,665,200 B1 *	2/2010	Shimooka	B23Q 1/626 29/560
6,205,372 B1 *	3/2001	Pugh	G05B 19/186 700/180	8,360,944 B2 *	1/2013	Erlenmaier	B23K 26/1482 219/121.67
6,364,818 B1 *	4/2002	Chen	B23Q 1/56 29/27 R	8,366,593 B2 *	2/2013	Schmauder	B23K 26/1482 219/121.72
6,427,098 B1 *	7/2002	Alverson	G05B 19/182 318/568.1	8,650,767 B2 *	2/2014	Matsumiya	G01B 5/016 33/503
6,470,776 B1 *	10/2002	Boland	B23B 31/02 82/118	8,690,499 B2 *	4/2014	Makiyama	B23B 41/12 269/60
6,481,508 B2 *	11/2002	McGlasson	B23F 19/02 173/211	8,695,763 B2 *	4/2014	Haas	B23Q 11/123 184/6.14
6,601,434 B2 *	8/2003	Schaefer	B23Q 17/22 29/39	8,708,774 B2 *	4/2014	Diplotti	B24B 3/021 451/11
6,832,878 B2 *	12/2004	Elrod	B23Q 37/002 408/136	8,827,611 B2 *	9/2014	Trzaskos	B23D 5/00 409/292
7,005,606 B2 *	2/2006	Legge	B23K 26/043 219/121.82	8,920,511 B2 *	12/2014	Southard	A61F 2/44 623/16.11
7,360,271 B2 *	4/2008	Nordstrom	B08B 1/04 15/104.05	9,162,289 B2 *	10/2015	Katsu	B23B 23/00
					9,168,625 B2 *	10/2015	Huang	B24B 1/04
					9,233,428 B2 *	1/2016	Williams	B24B 27/0076
					D786,323 S *	5/2017	Jones	D15/138
					D820,893 S *	6/2018	Jones	D15/138

* cited by examiner

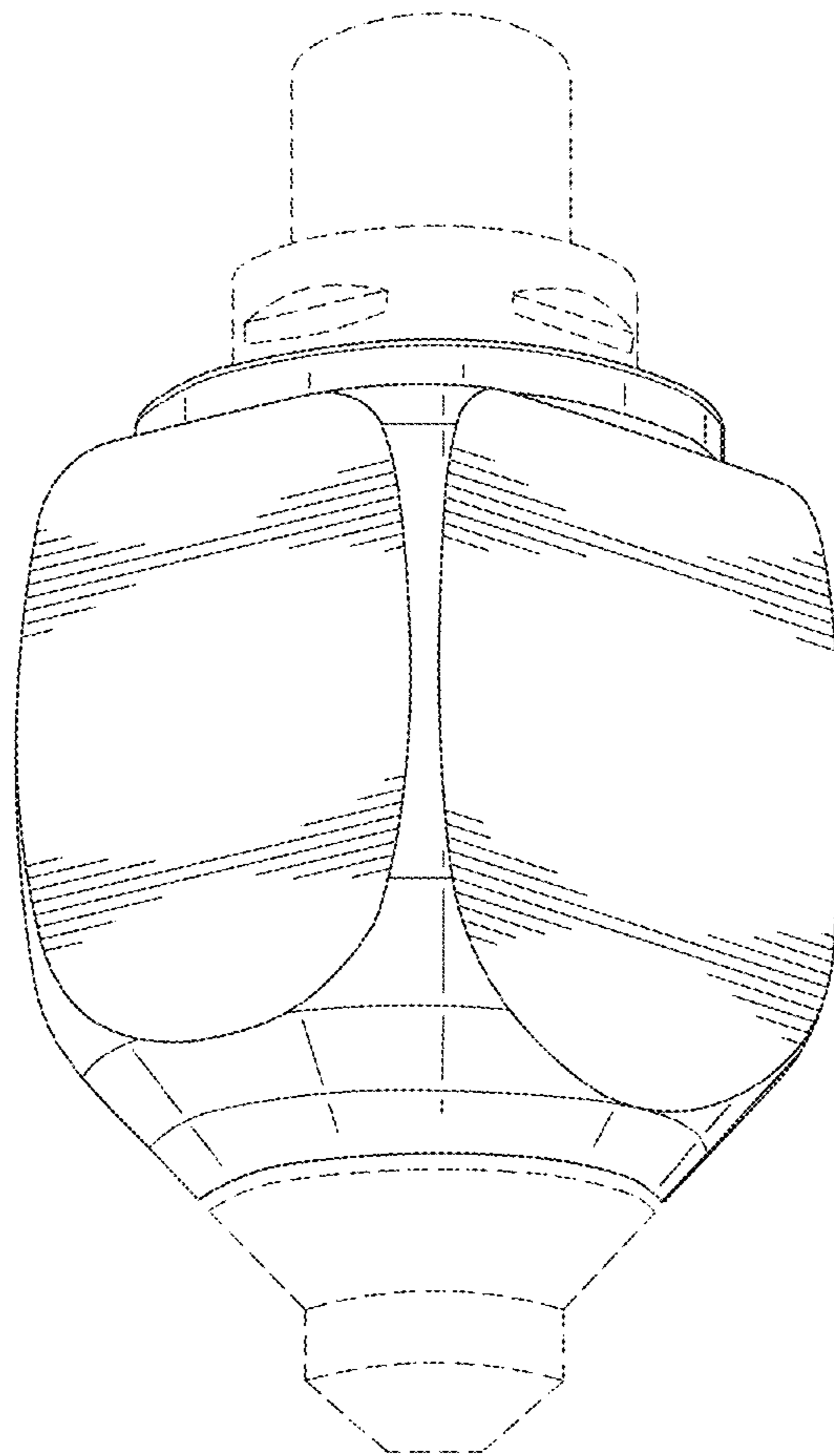


FIG. 1

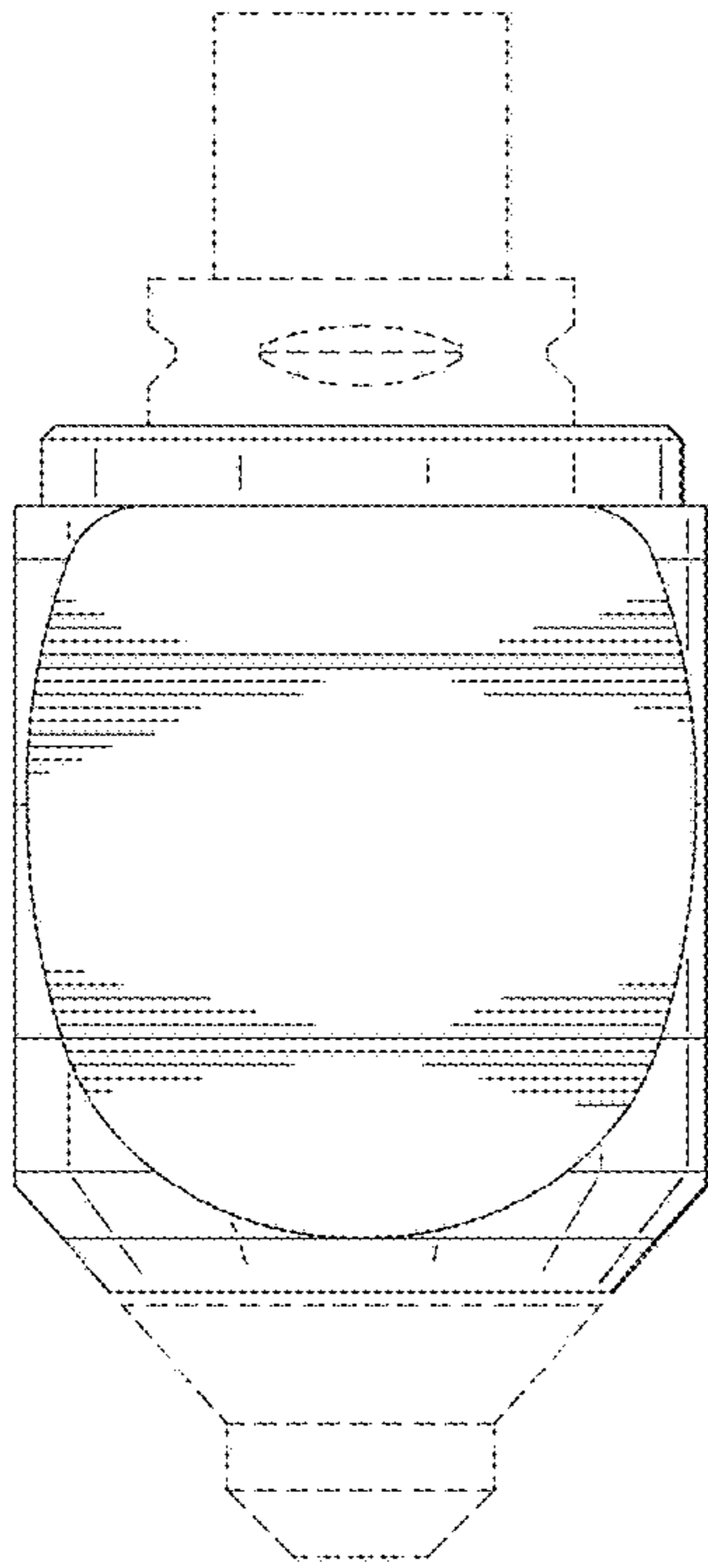


FIG. 2

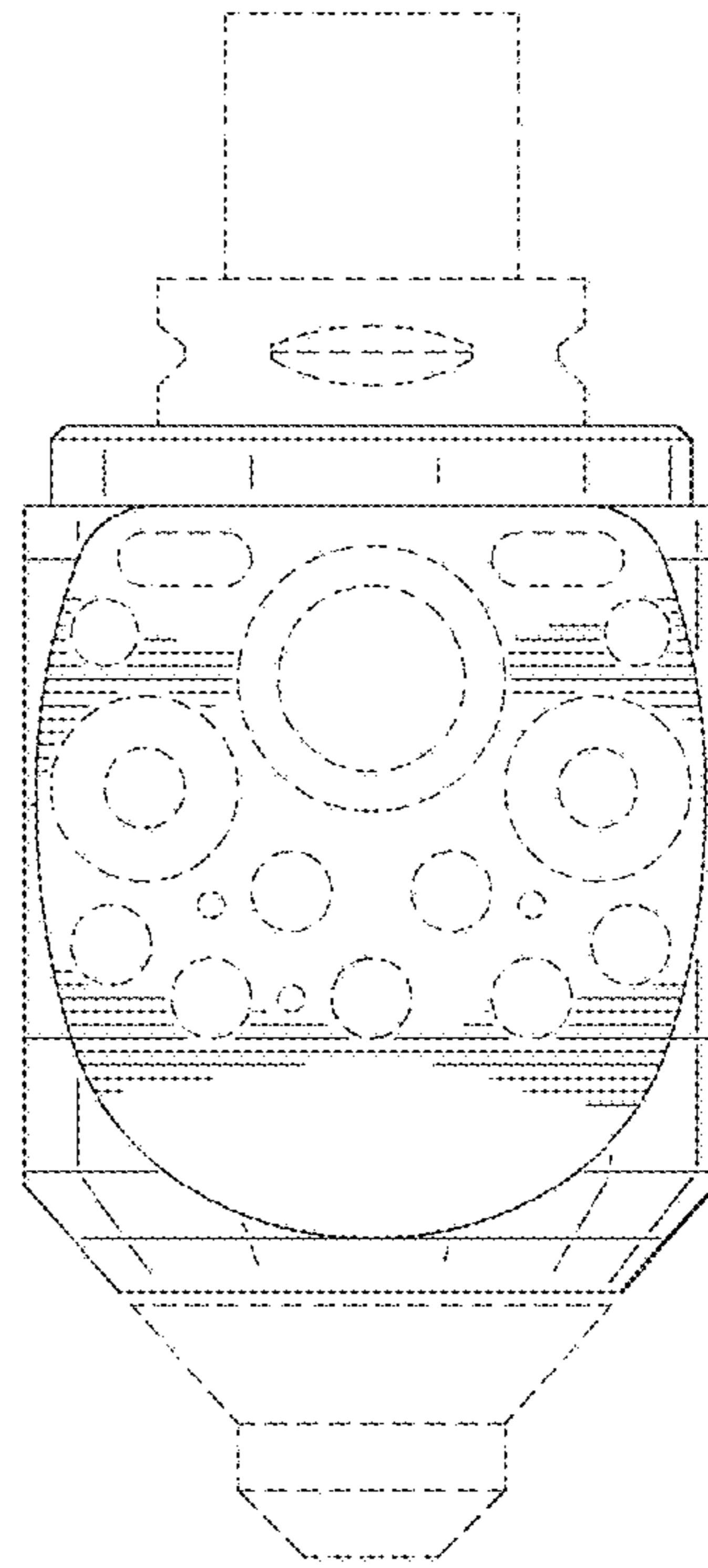


FIG. 3

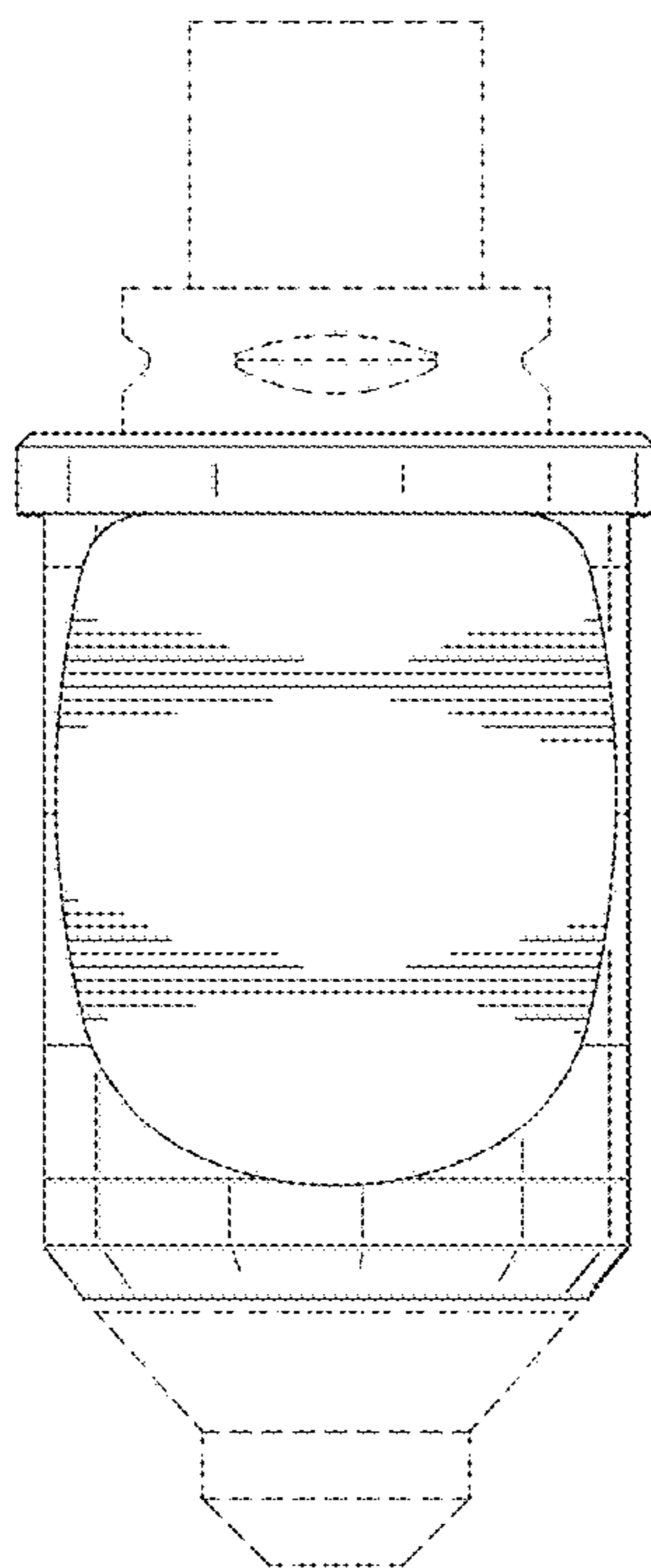


FIG. 4

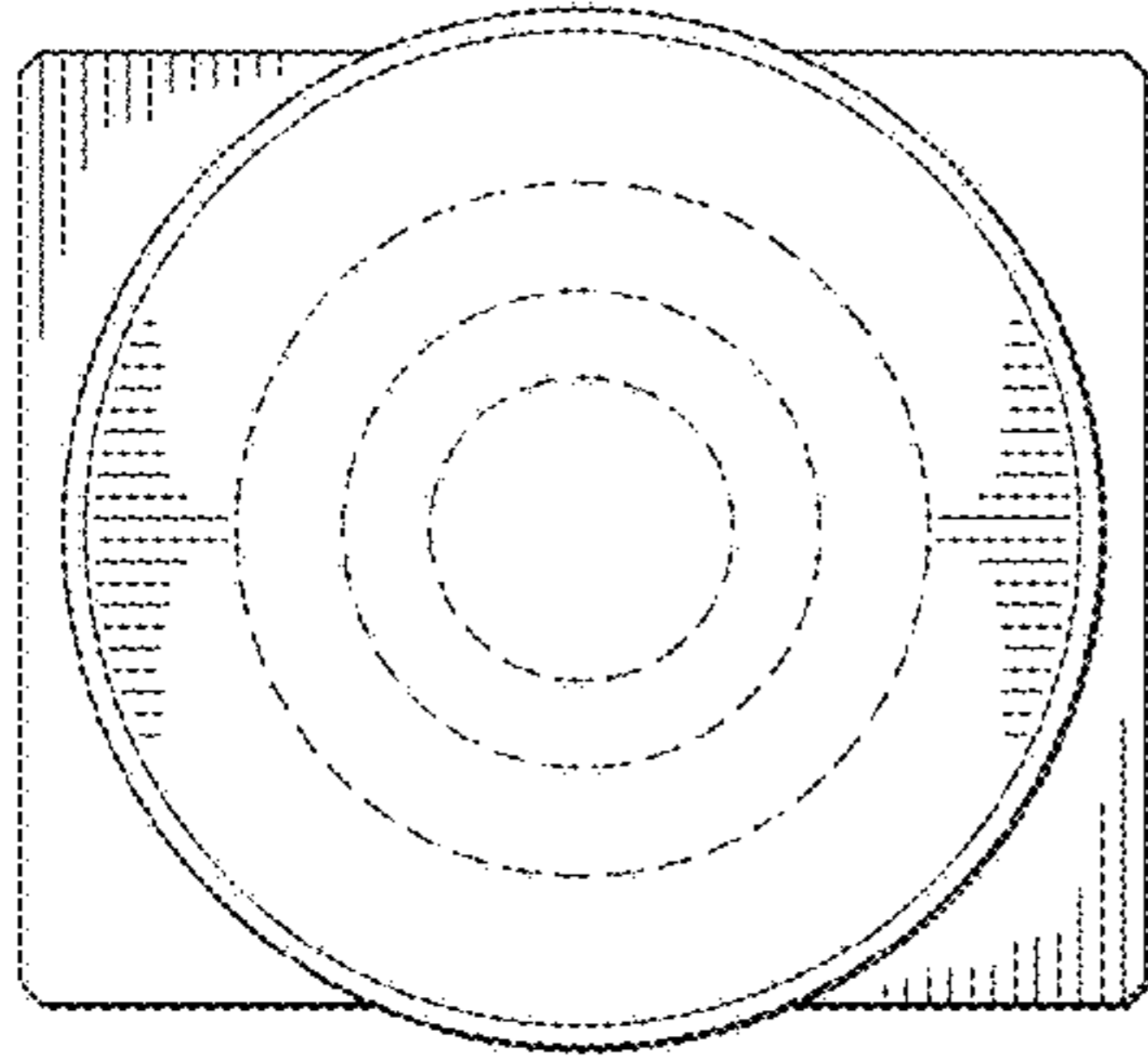


FIG. 5

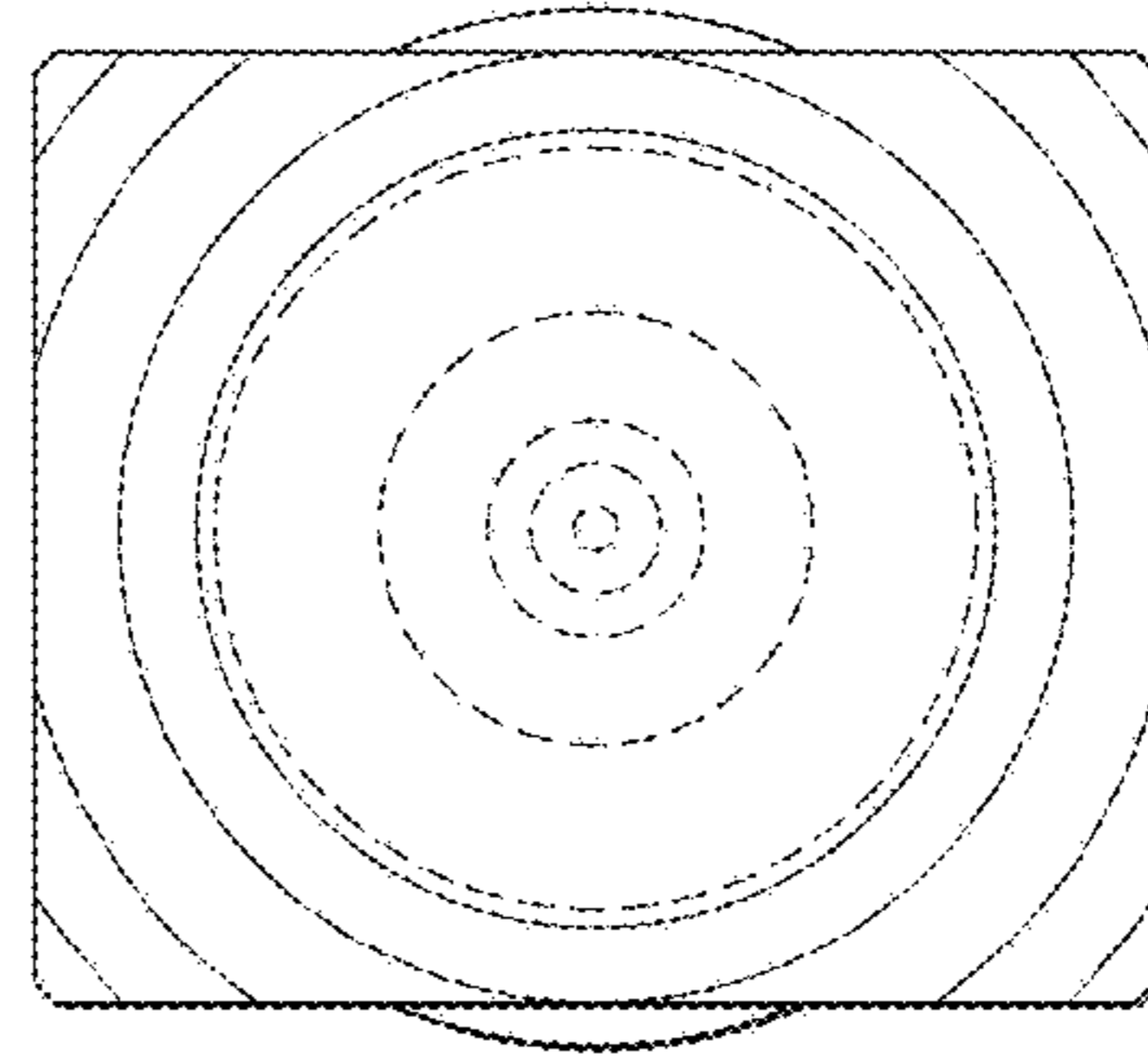


FIG. 6

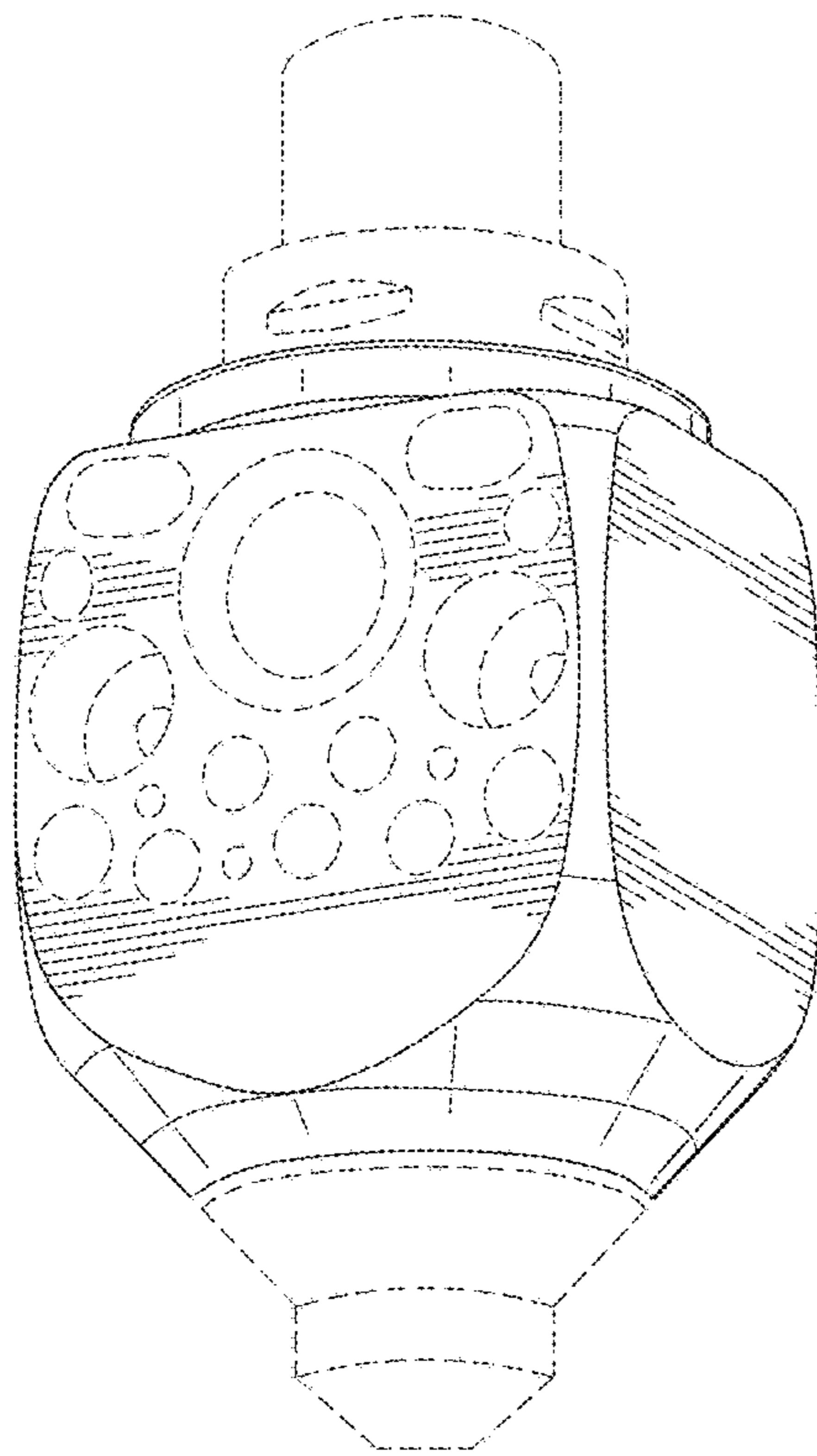


FIG. 7