



US00D837839S

(12) **United States Design Patent**  
**Baur et al.**

(10) **Patent No.:** **US D837,839 S**  
(45) **Date of Patent:** **\*\* Jan. 8, 2019**

(54) **STITCHING MODULE**

6,019,052 A \* 2/2000 Stucki ..... D05B 21/00  
112/102.5

(71) Applicant: **BERNINA International AG,**  
Steckborn (CH)

\* cited by examiner

(72) Inventors: **David Baur,** Benfheim (DE); **Lena**  
**Billmeier,** Muchen (DE)

*Primary Examiner* — Mitchell I. Siegel

(74) *Attorney, Agent, or Firm* — Volpe and Koenig, P.C.

(73) Assignee: **BERNINA International AG,**  
Steckborn (CH)

(57) **CLAIM**

The ornamental design for a stitching module, as shown and described.

(\*\*) Term: **15 Years**

**DESCRIPTION**

(21) Appl. No.: **29/548,584**

FIG. 1 is a top, front, right perspective view of a first embodiment of a stitching module in accordance with our design;

(22) Filed: **Dec. 15, 2015**

FIG. 2 is a top, rear, left perspective view thereof;

(51) **LOC (11) Cl.** ..... **15-06**

FIG. 3 is a right side elevational view thereof;

(52) **U.S. Cl.**

FIG. 4 is a left side elevational view thereof;

USPC ..... **D15/72; D15/78**

FIG. 5 is a rear elevational view thereof;

(58) **Field of Classification Search**

USPC ..... **D15/66–78**

FIG. 6 is a front elevational view thereof;

CPC ..... **D05B 1/00–25/00; D05B 39/00; D05C**  
**9/00–9/22**

FIG. 7 is a top plan view thereof; and

See application file for complete search history.

FIG. 8 is a bottom plan view thereof;

FIG. 9 is a top, front, right perspective view of a second embodiment of a stitching module in accordance with our design;

(56) **References Cited**

**U.S. PATENT DOCUMENTS**

5,167,194 A \* 12/1992 Nakagaki ..... D05B 39/00  
112/102.5  
5,277,139 A \* 1/1994 Honeycutt ..... D05B 23/007  
112/152  
D369,171 S \* 4/1996 Jonson ..... D15/66

FIG. 10 is a top, rear, left perspective view thereof;

FIG. 11 is a right side elevational view thereof;

FIG. 12 is a left side elevational view thereof;

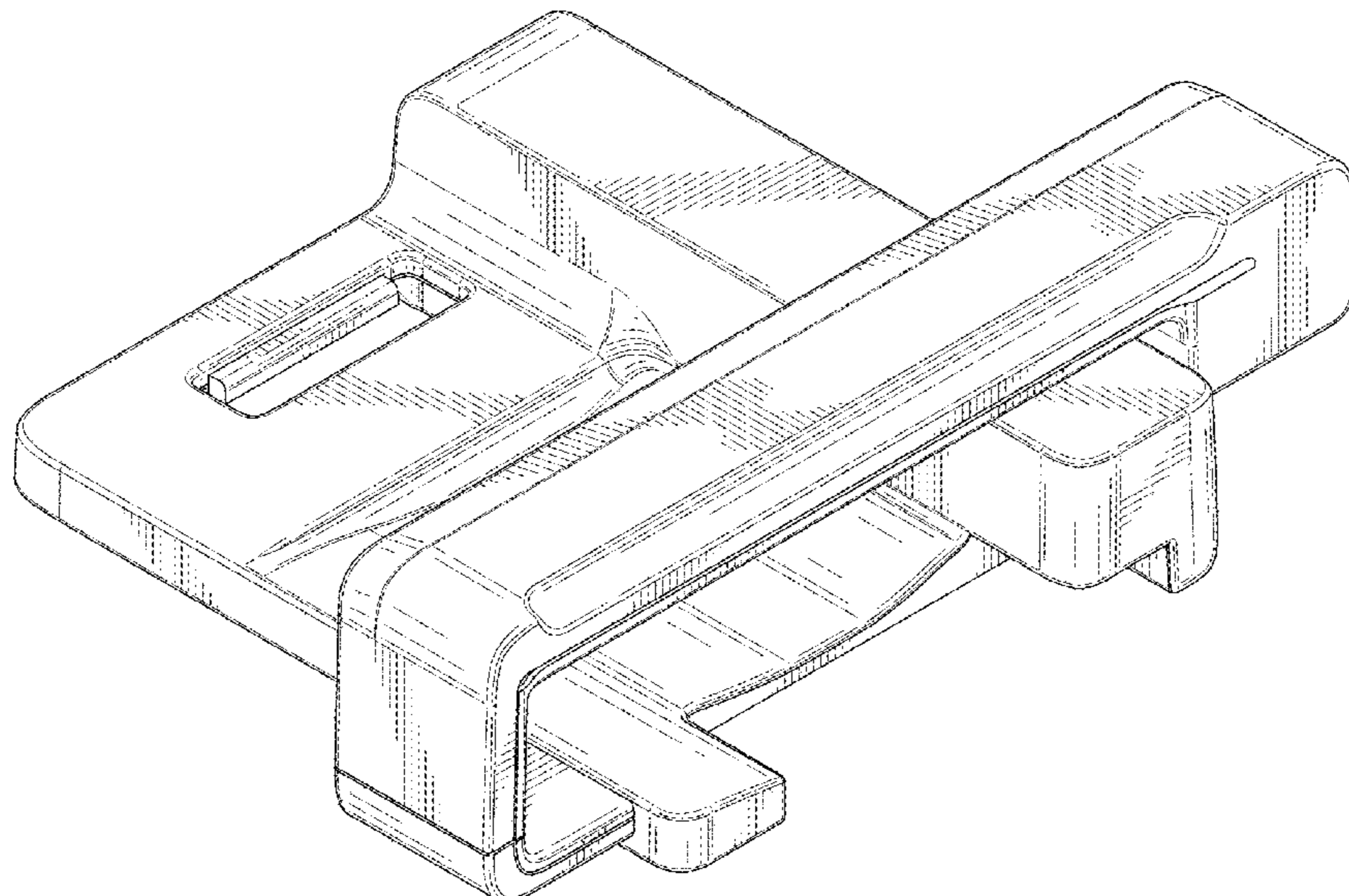
FIG. 13 is a rear elevational view thereof;

FIG. 14 is a front elevational view thereof;

FIG. 15 is a top plan view thereof; and,

FIG. 16 is a bottom plan view thereof.

**1 Claim, 16 Drawing Sheets**



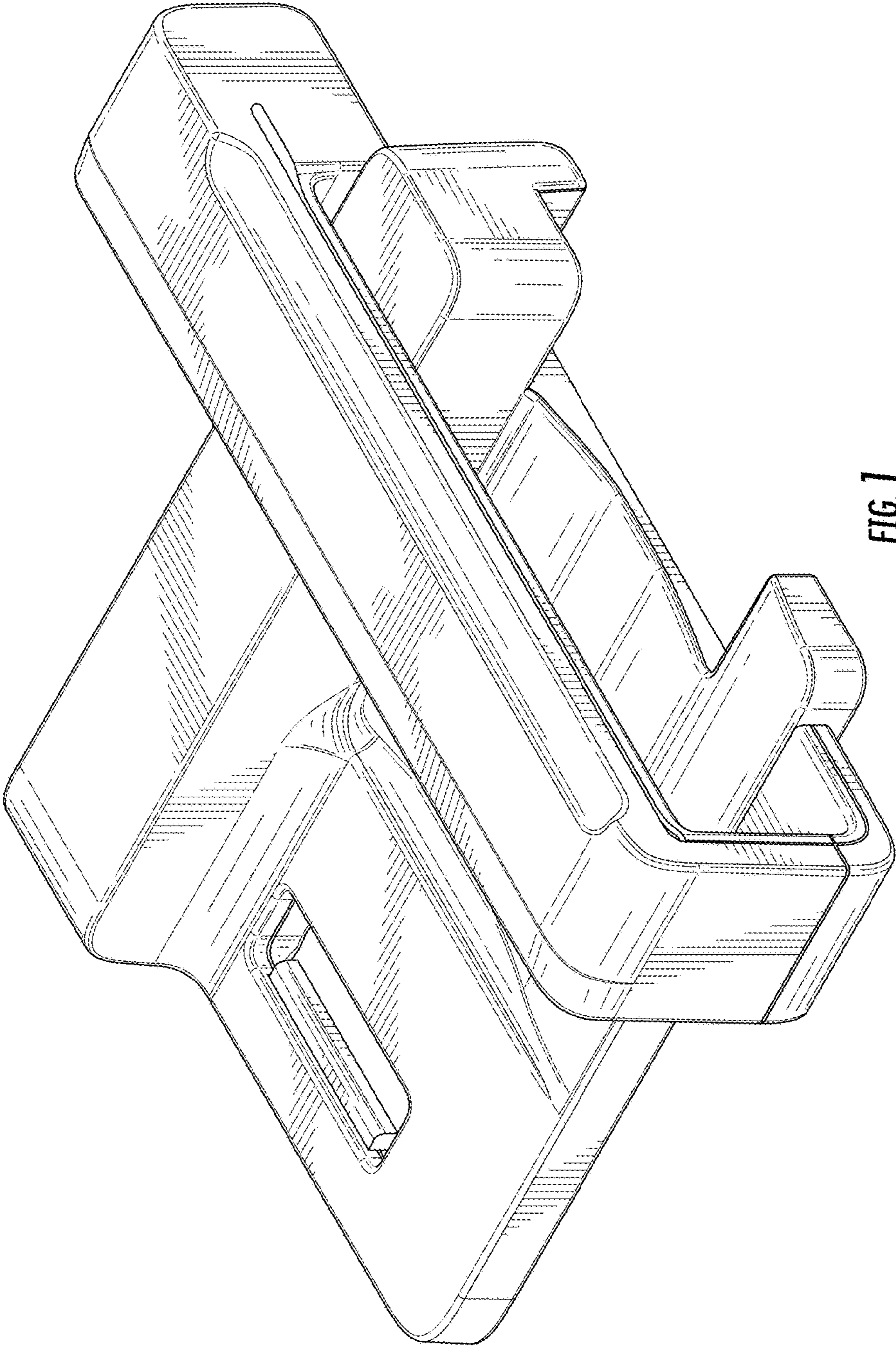


FIG. 1



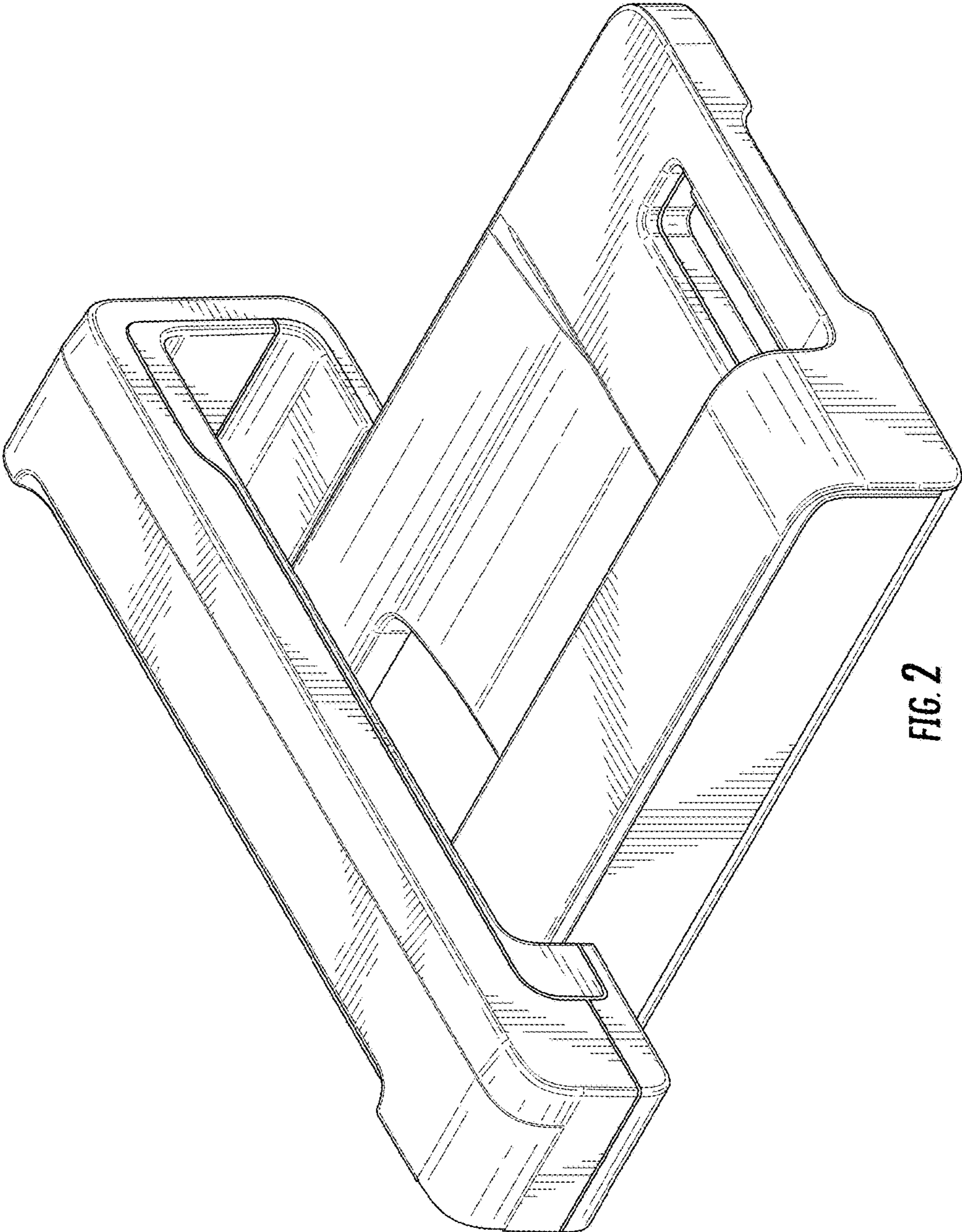


FIG. 2

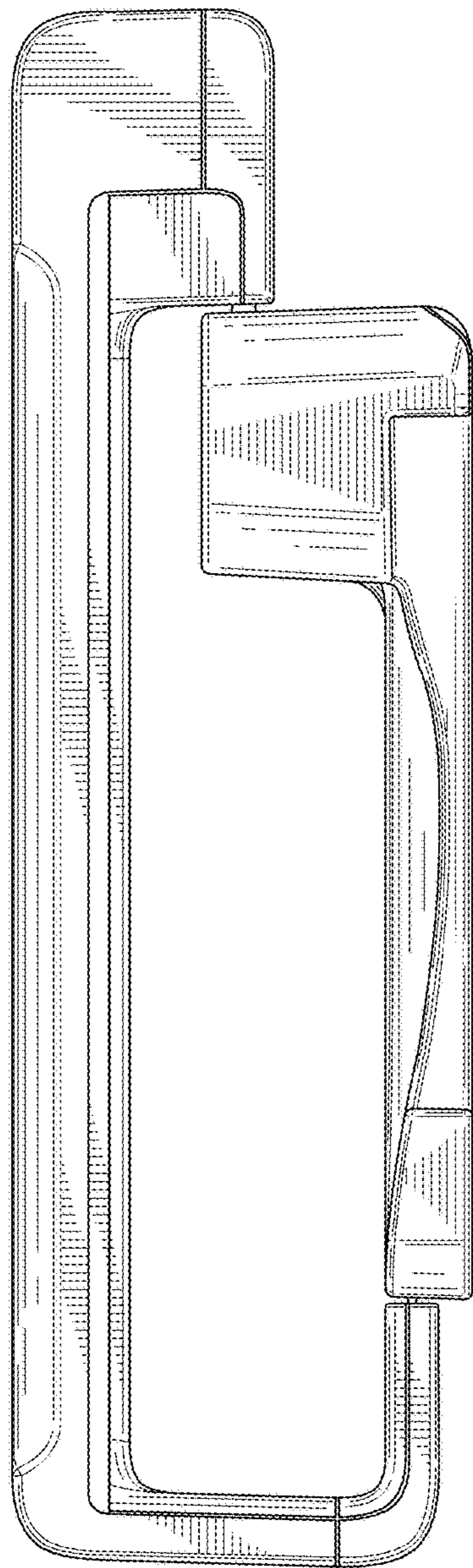


FIG. 3

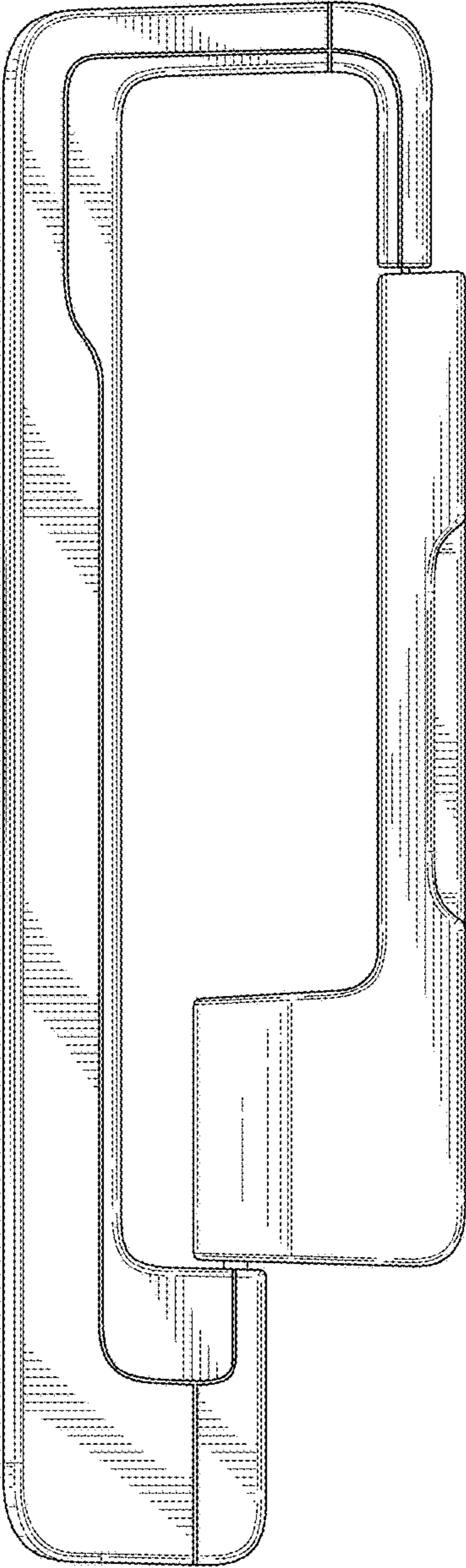


FIG. 4

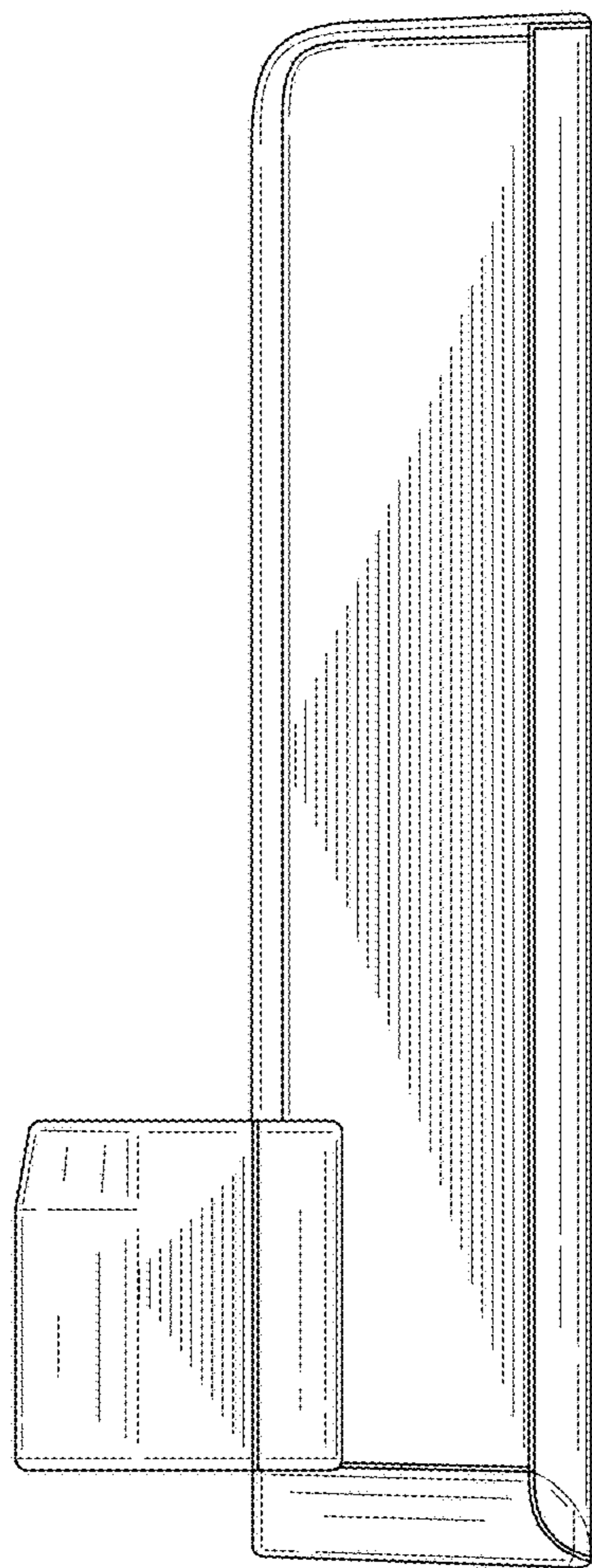


FIG. 5

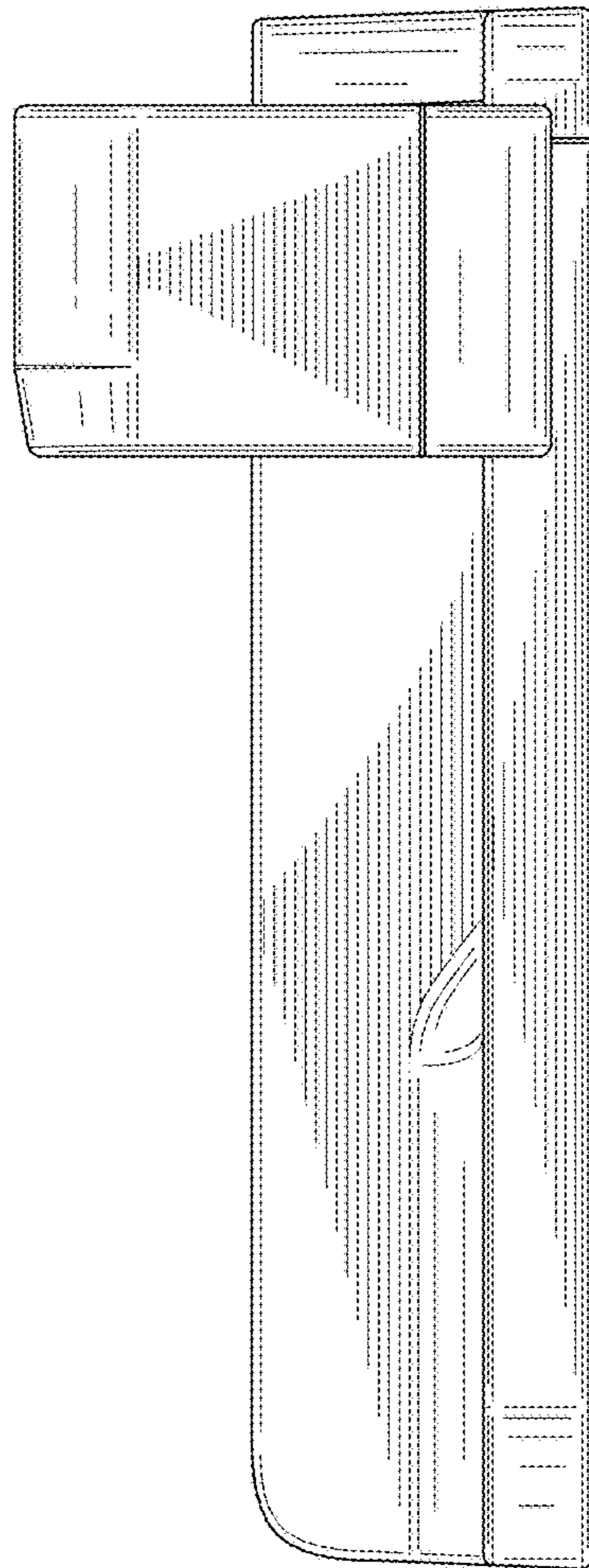


FIG. 6



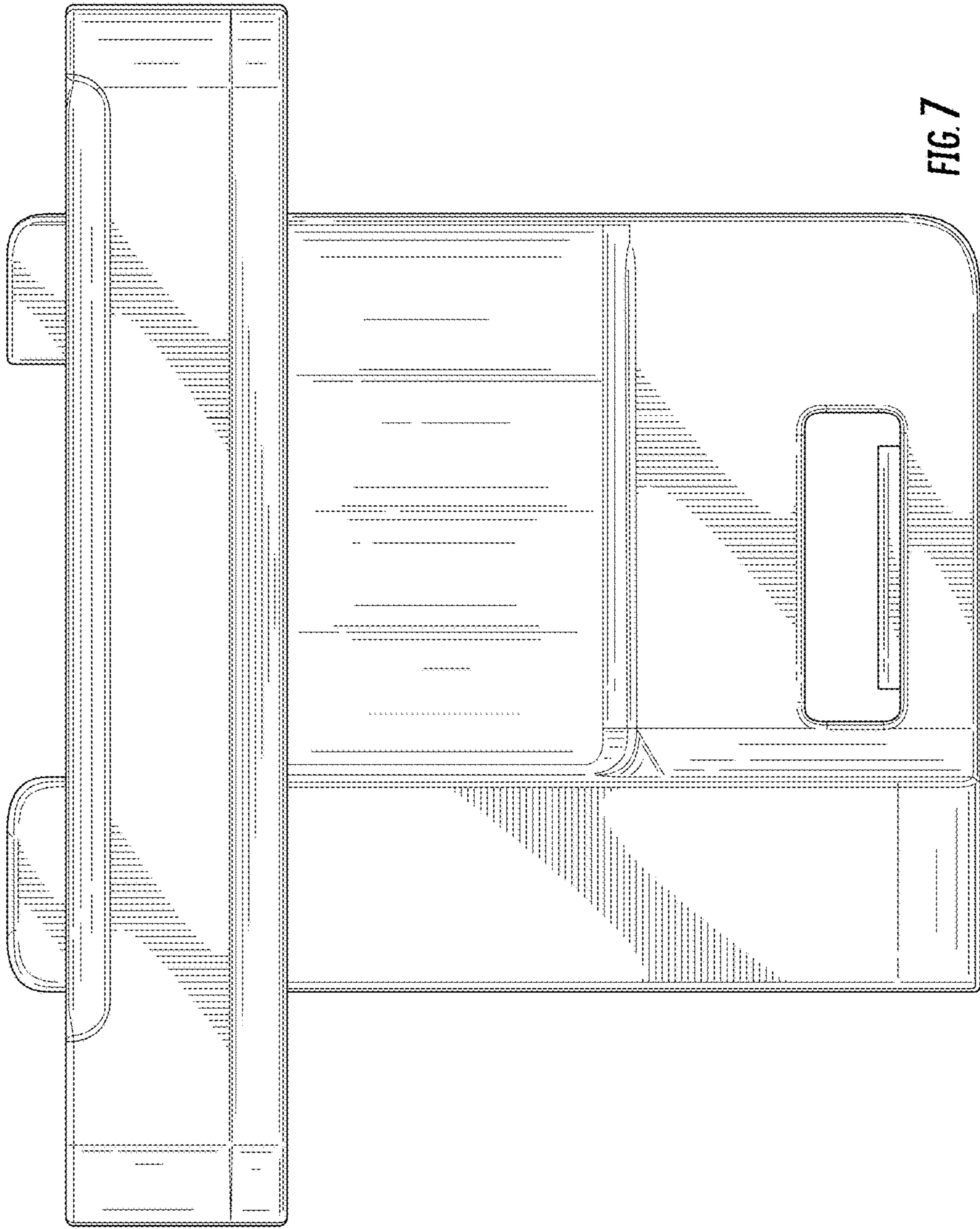


FIG. 7



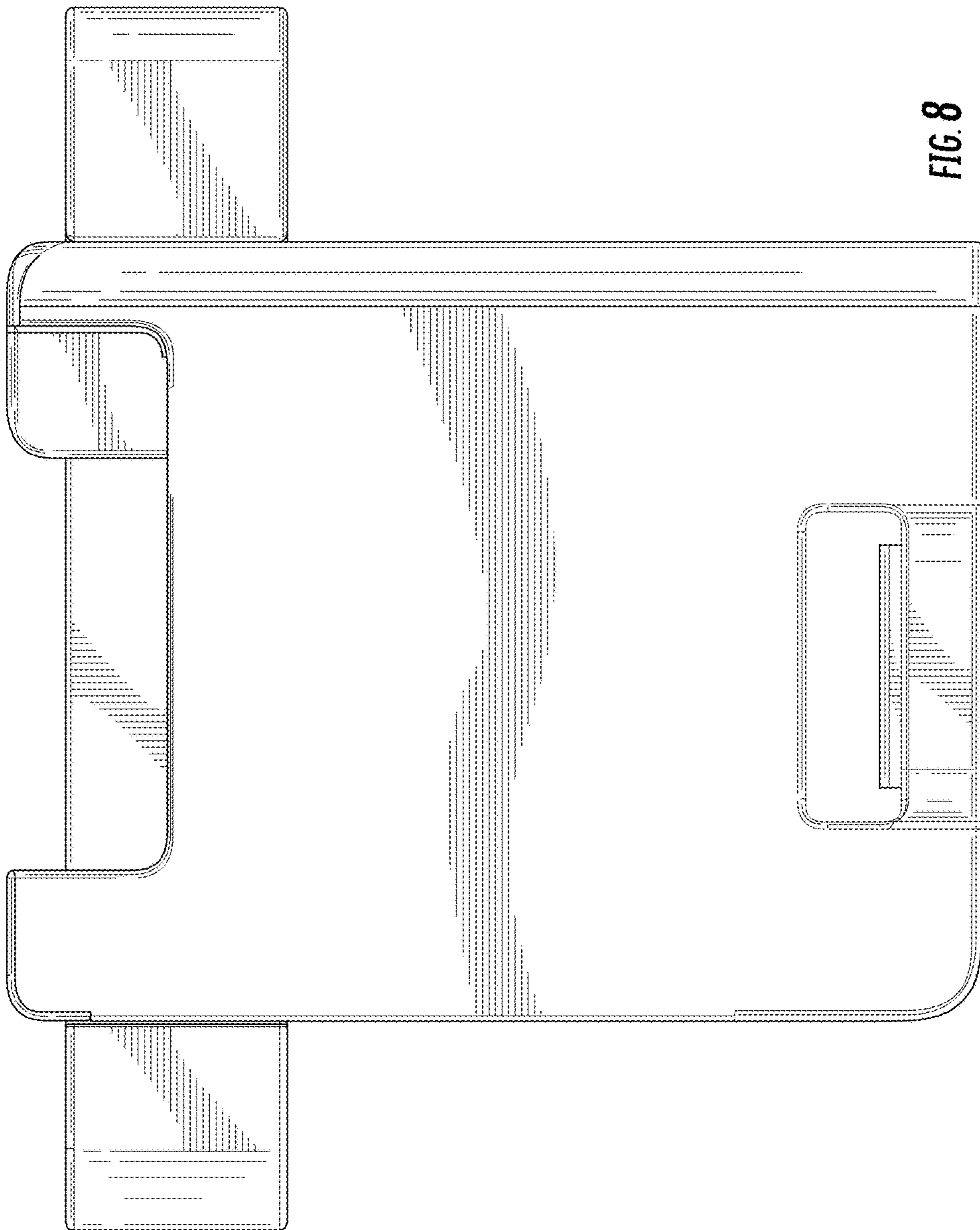
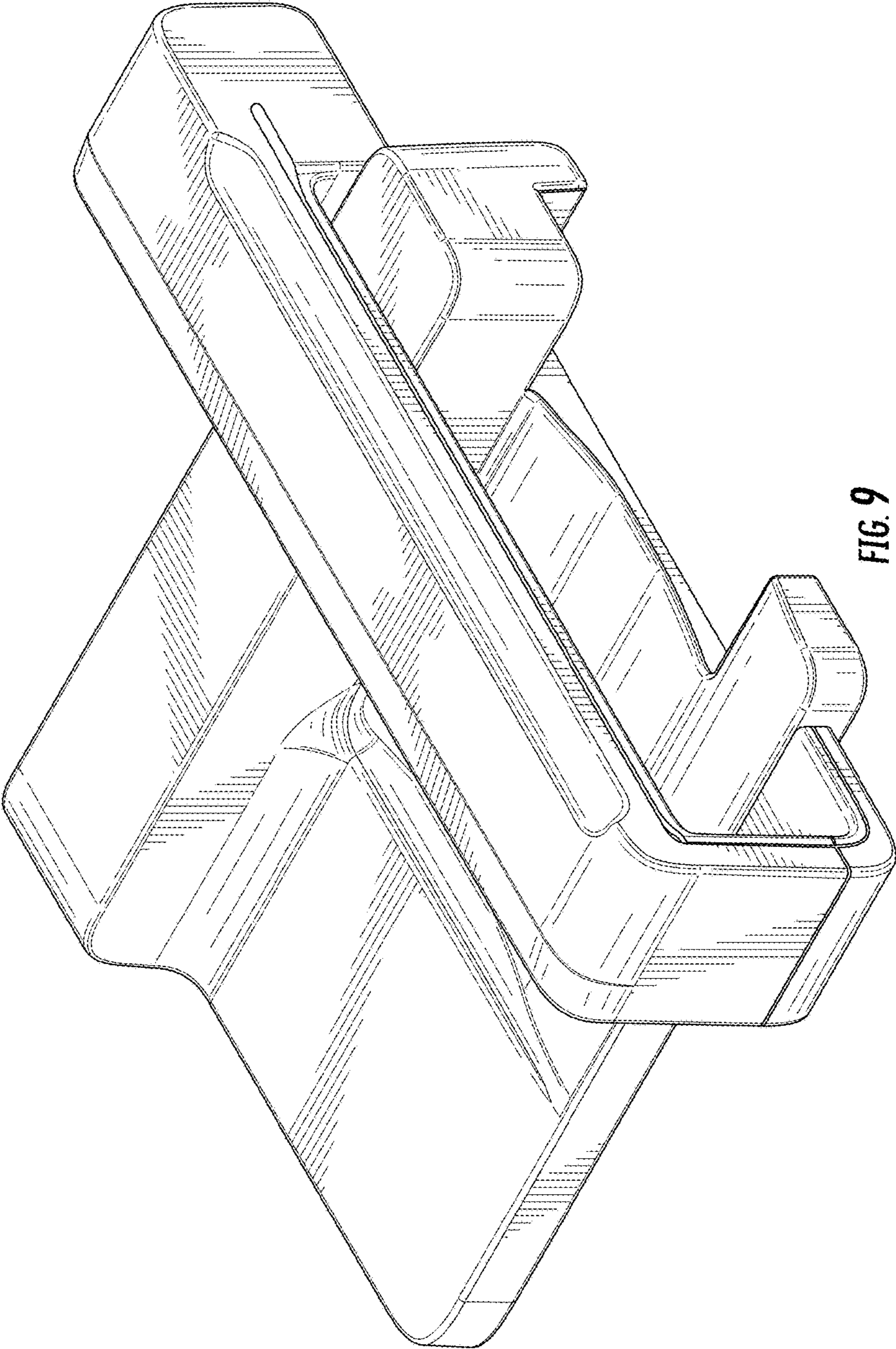
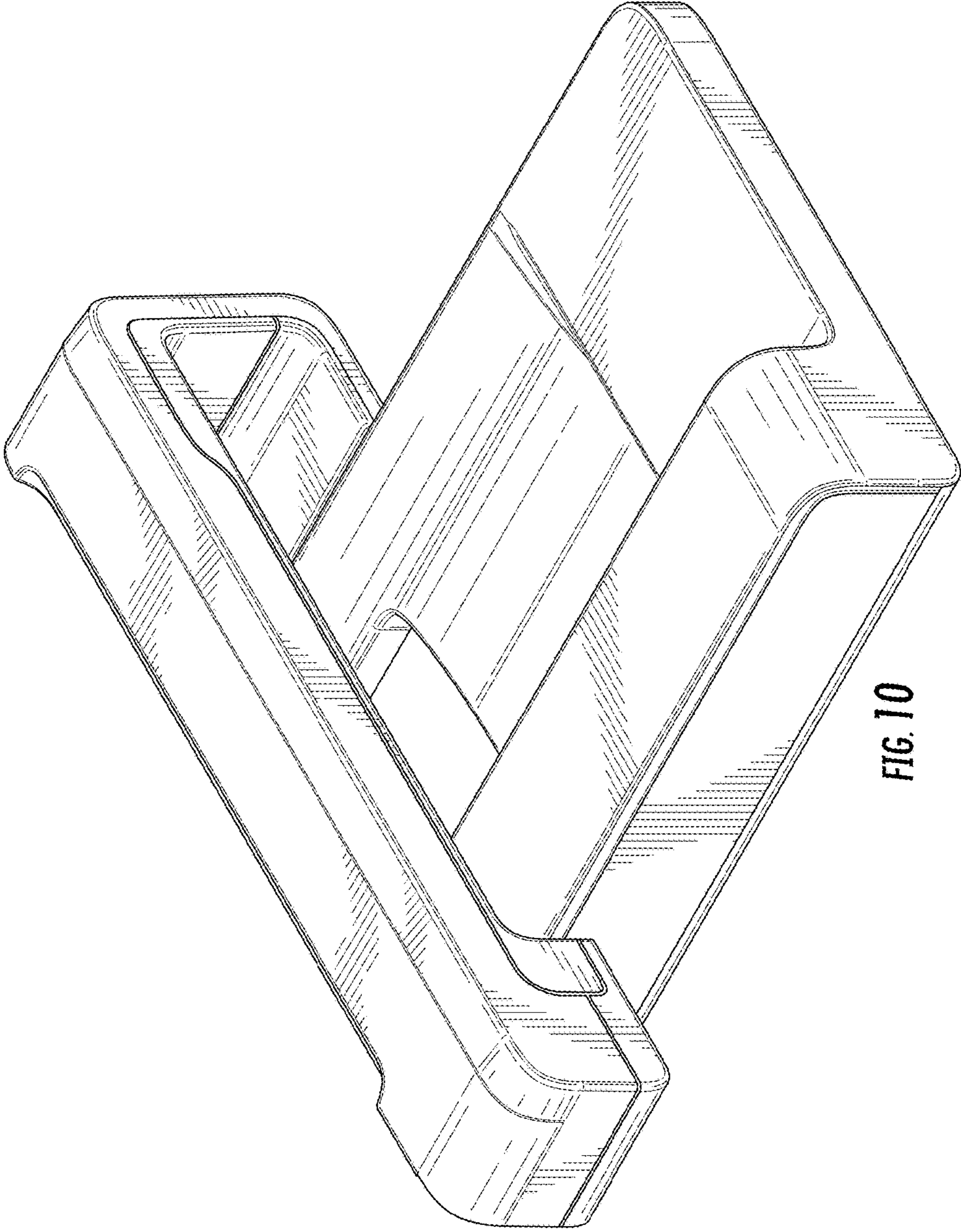


FIG. 8







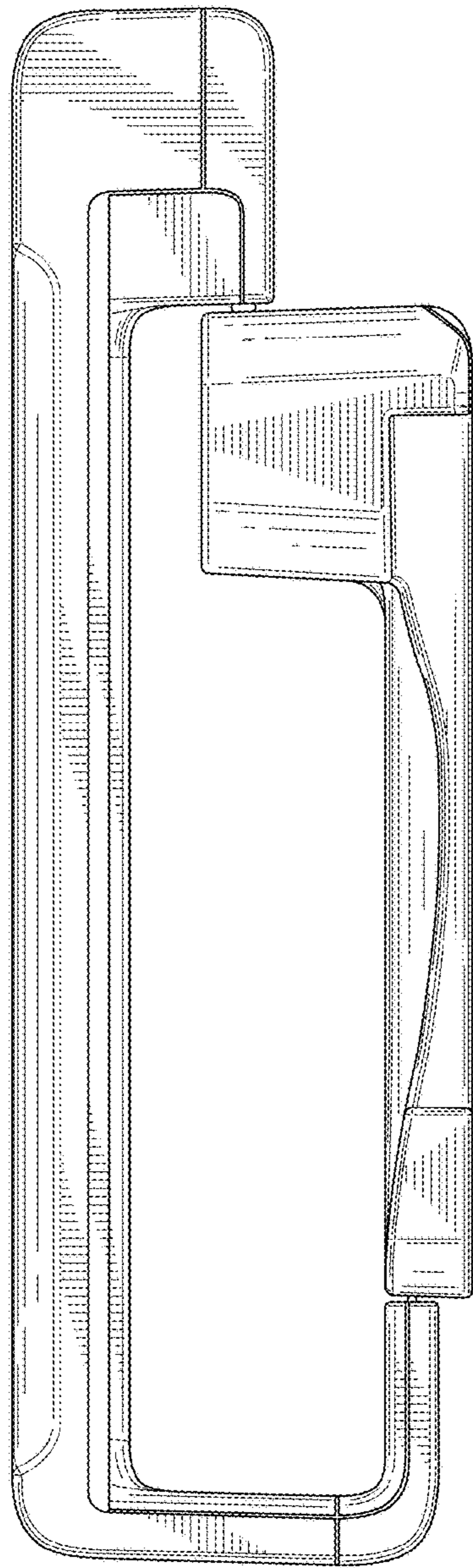


FIG. 17



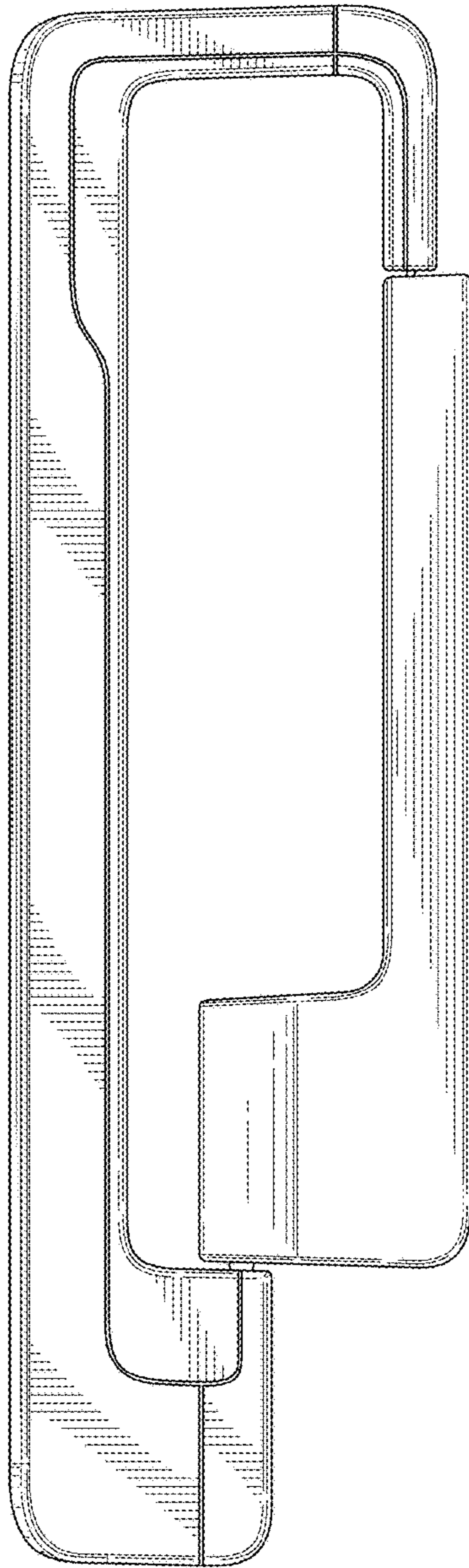


FIG. 12

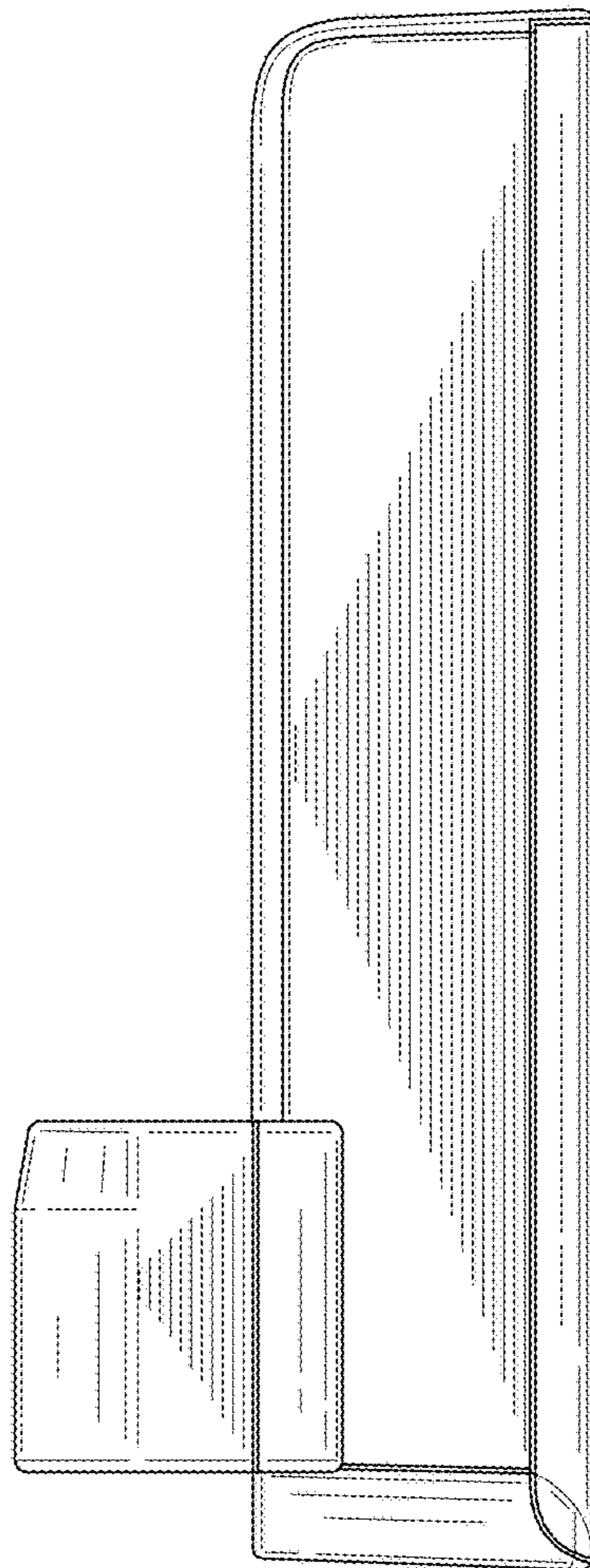


FIG. 13

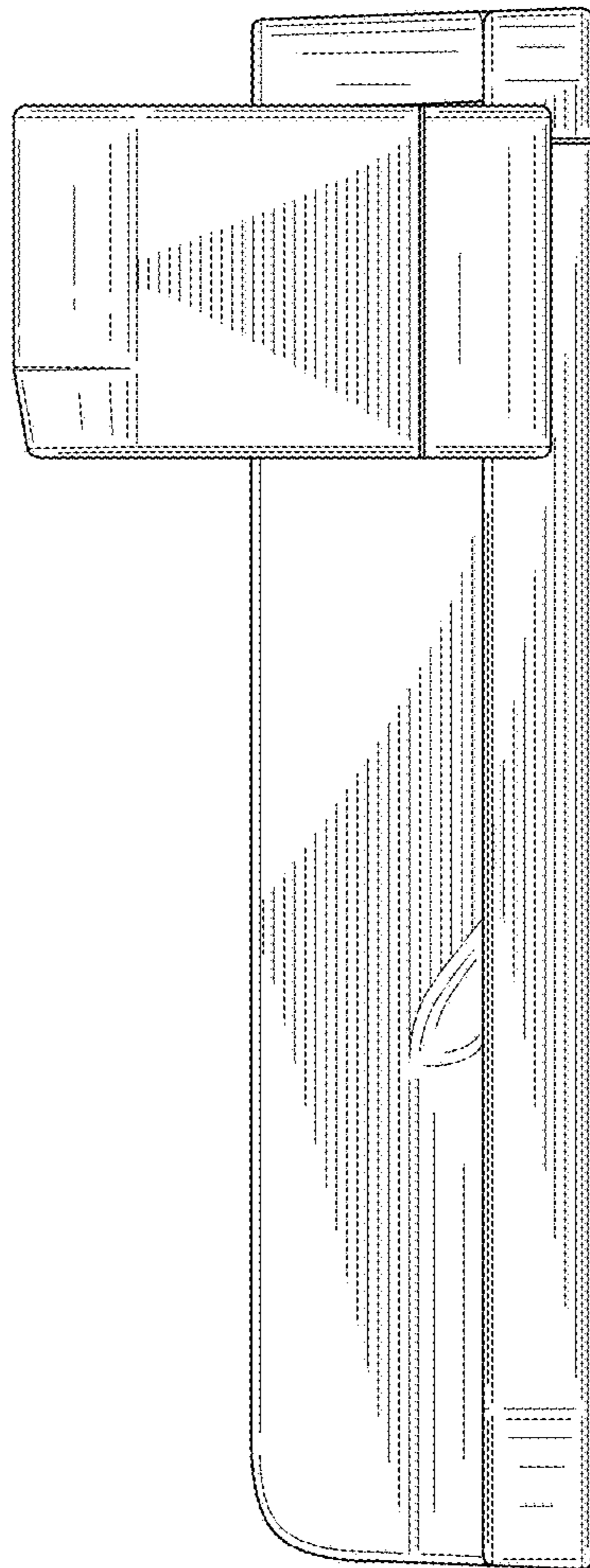
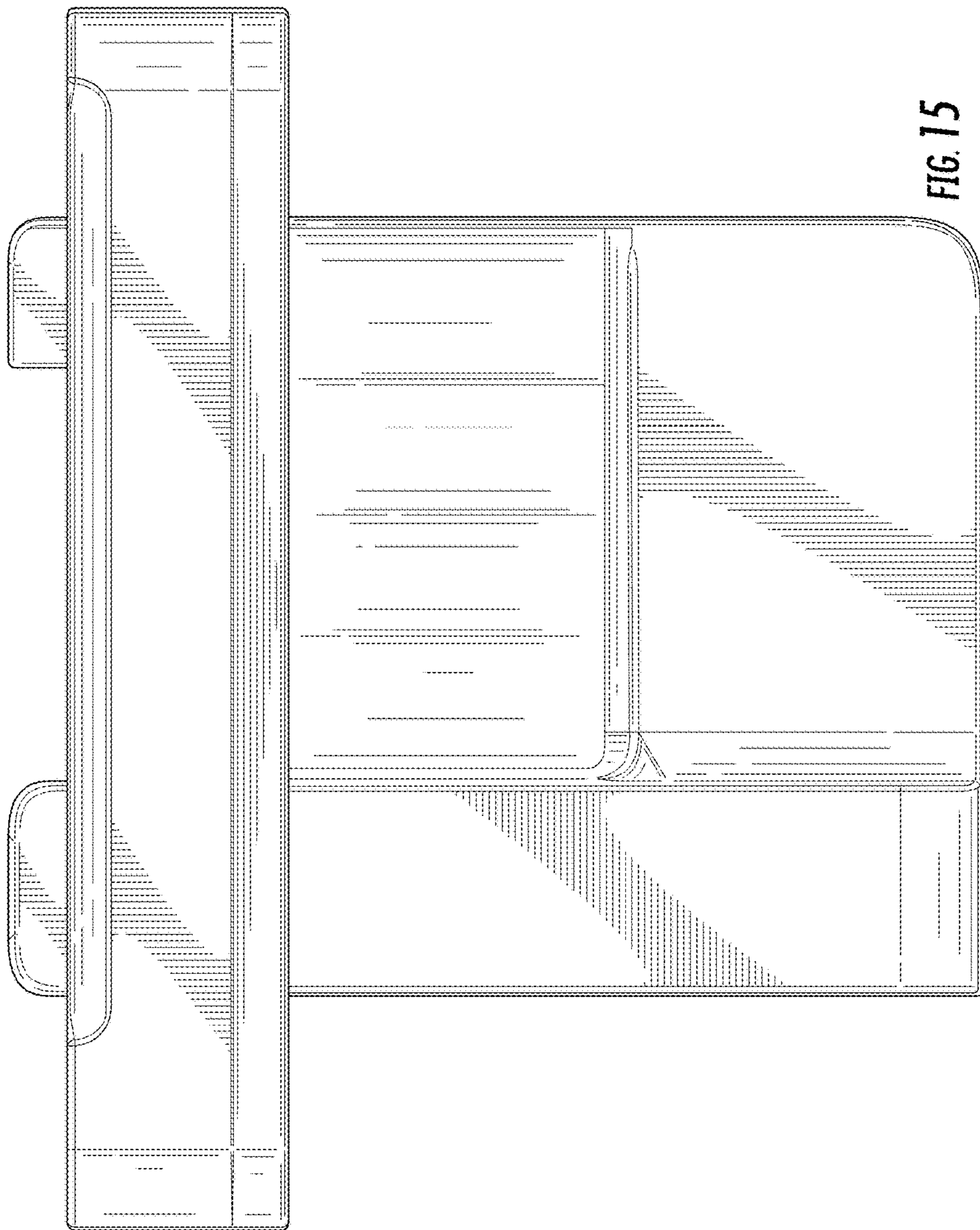


FIG. 14





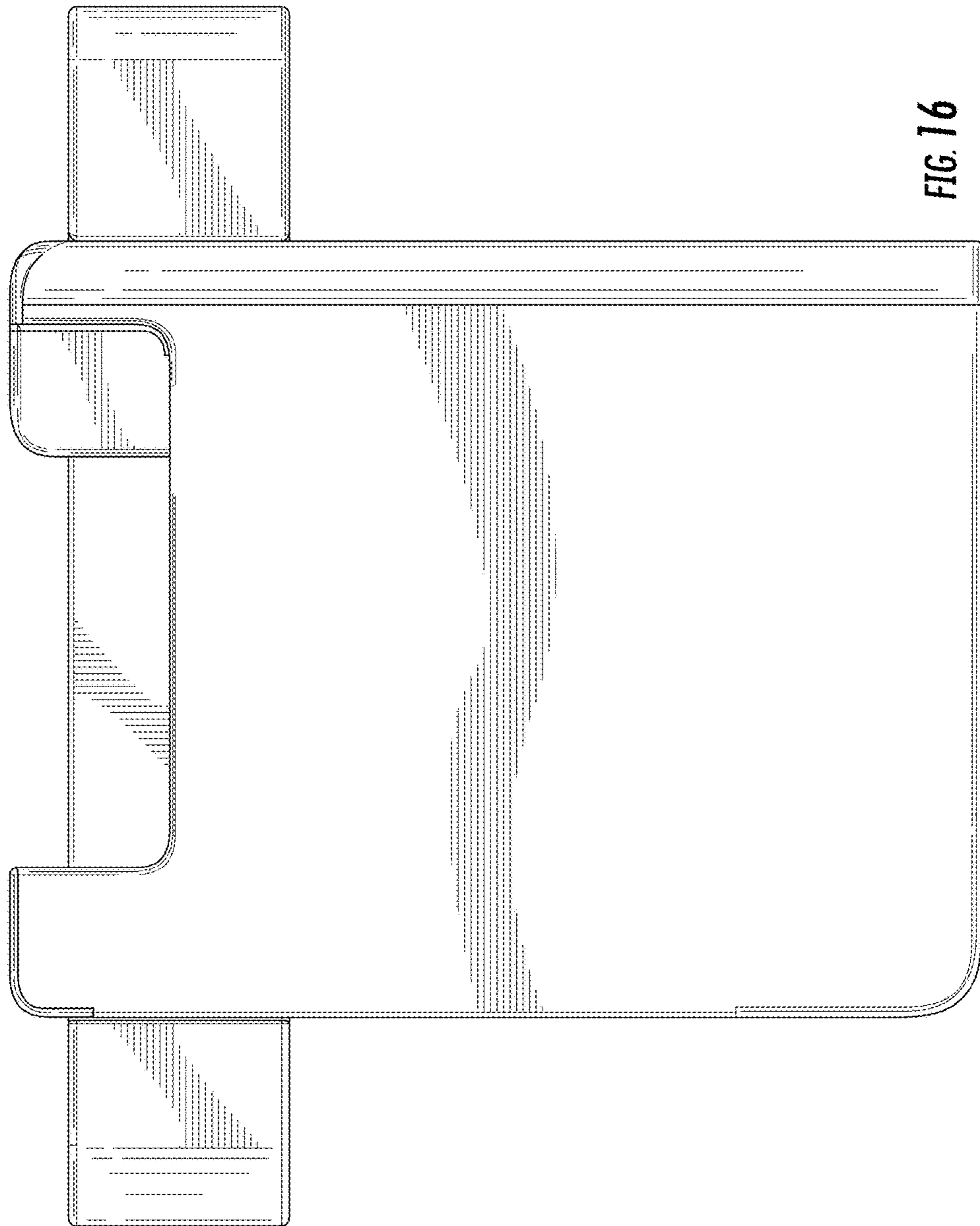


FIG. 16