



US00D837838S

(12) **United States Design Patent**
Kawaguchi et al.

(10) **Patent No.:** **US D837,838 S**

(45) **Date of Patent:** **** Jan. 8, 2019**

(54) **SEWING MACHINE**

(71) Applicant: **JANOME SEWING MACHINE Co., Ltd.**, Hachioji-shi, Tokyo (JP)

(72) Inventors: **Kiyomi Kawaguchi**, Hachioji (JP);
Akihiro Izaki, Hachioji (JP)

(73) Assignee: **JANOME SEWING MACHINE CO., LTD.**, Hachioji-Shi, Tokyo (JP)

(**) Term: **15 Years**

(21) Appl. No.: **29/617,263**

(22) Filed: **Sep. 13, 2017**

(30) **Foreign Application Priority Data**

Mar. 30, 2017 (JP) 2017-006627
Mar. 30, 2017 (JP) 2017-006633

(51) **LOC (11) Cl.** **15-06**

(52) **U.S. Cl.**
USPC **D15/69**

(58) **Field of Classification Search**
USPC D15/66-78
CPC D05B 1/00-25/00
See application file for complete search history.

(56) **References Cited**

U.S. PATENT DOCUMENTS

D199,767 S * 12/1964 Martelet D15/69
3,356,051 A * 12/1967 Eguchi D05B 19/00
112/163
D220,221 S * 3/1971 Yamamoto D15/69
D285,571 S * 9/1986 Eguchi D15/69
D288,691 S * 3/1987 Amemiya D15/69
D288,818 S * 3/1987 Allen D15/69
D289,403 S * 4/1987 Yoneda D15/69
D290,368 S * 6/1987 Eguchi D15/69
D292,588 S * 11/1987 Uchida D15/69

D300,746 S * 4/1989 Baruffa D15/69
D324,689 S * 3/1992 Uchida D15/69
D347,847 S * 6/1994 Eguchi D15/69
D450,722 S * 11/2001 Kawaguchi D15/69
D506,212 S * 6/2005 Kuroki D15/69
D517,571 S * 3/2006 Kuroki D15/69

(Continued)

Primary Examiner — Mitchell I. Siegel

(74) *Attorney, Agent, or Firm* — McGinn IP Law Group, PLLC

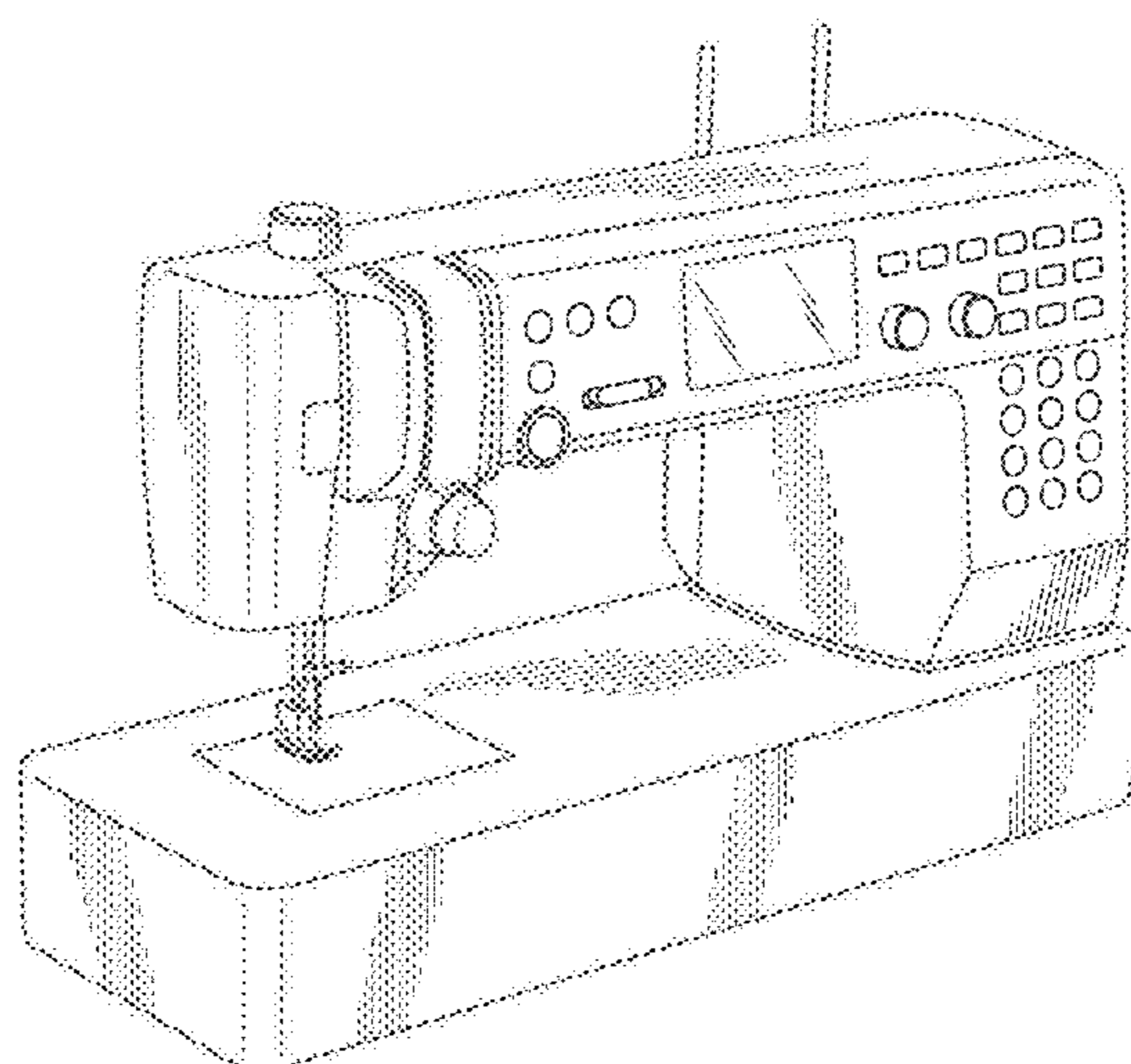
(57) **CLAIM**

The ornamental design for sewing machine, as shown and described.

DESCRIPTION

FIG. 1 is a front elevational view of a sewing machine showing our new design;
FIG. 2 is a rear elevational view thereof;
FIG. 3 is a left-side elevational view thereof;
FIG. 4 is a right-side elevational view thereof;
FIG. 5 is a top plan view thereof;
FIG. 6 is a bottom plan view thereof;
FIG. 7 is a front perspective view of a sewing machine showing thereof;
FIG. 8 is a front perspective view of a sewing machine showing thereof;
FIG. 9 is a front elevational view of a second embodiment of the showing machine showing our new design;
FIG. 10 is a rear elevational view of FIG. 9;
FIG. 11 is a left-side elevational view of FIG. 9;
FIG. 12 is a right-side elevational view of FIG. 9;
FIG. 13 is a top plan view of FIG. 9;
FIG. 14 is a bottom plan view of FIG. 9;
FIG. 15 is a front perspective view of a sewing machine showing of FIG. 9; and,
FIG. 16 is a front perspective view of a sewing machine showing of FIG. 9.

1 Claim, 16 Drawing Sheets



(56)

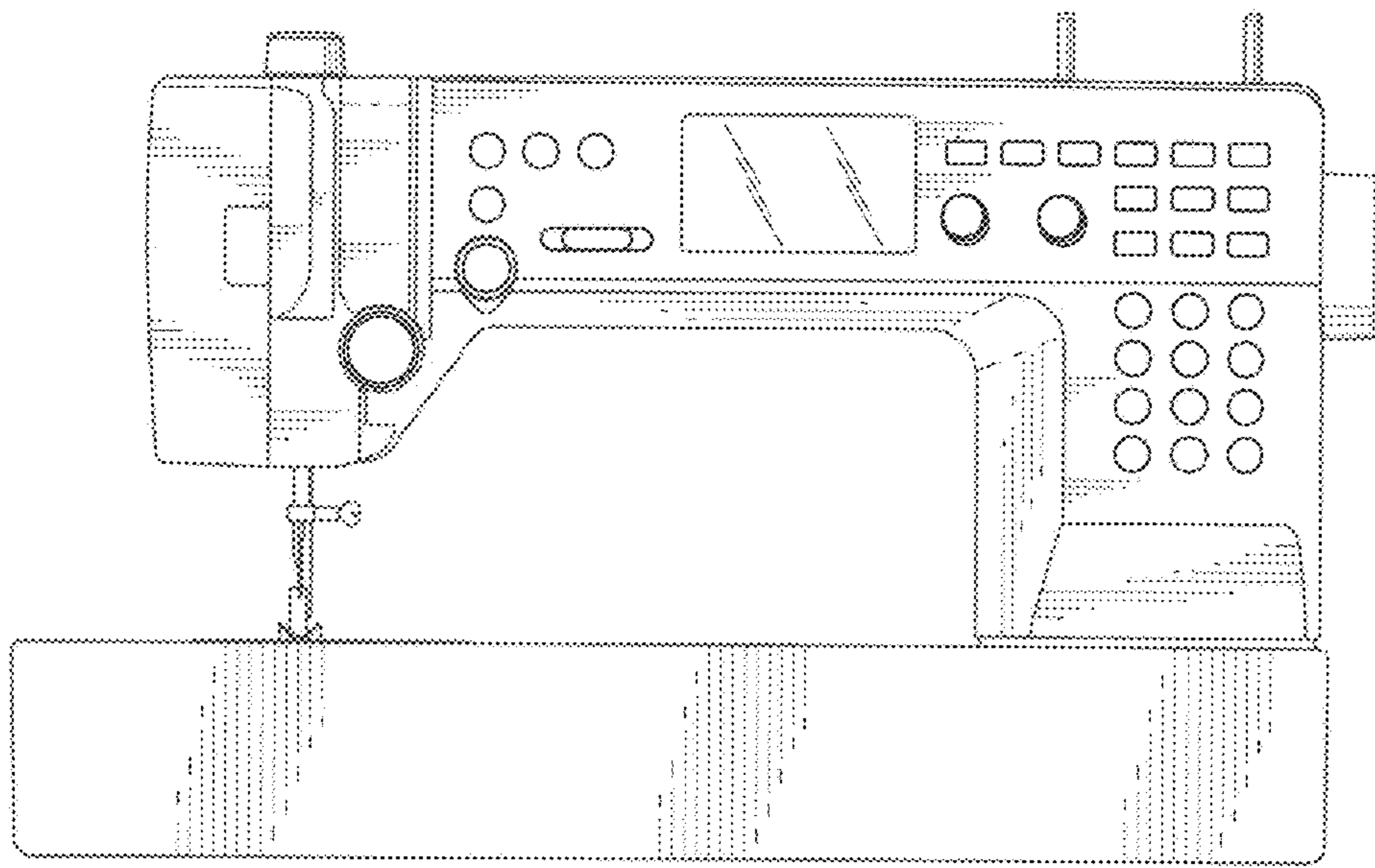
References Cited

U.S. PATENT DOCUMENTS

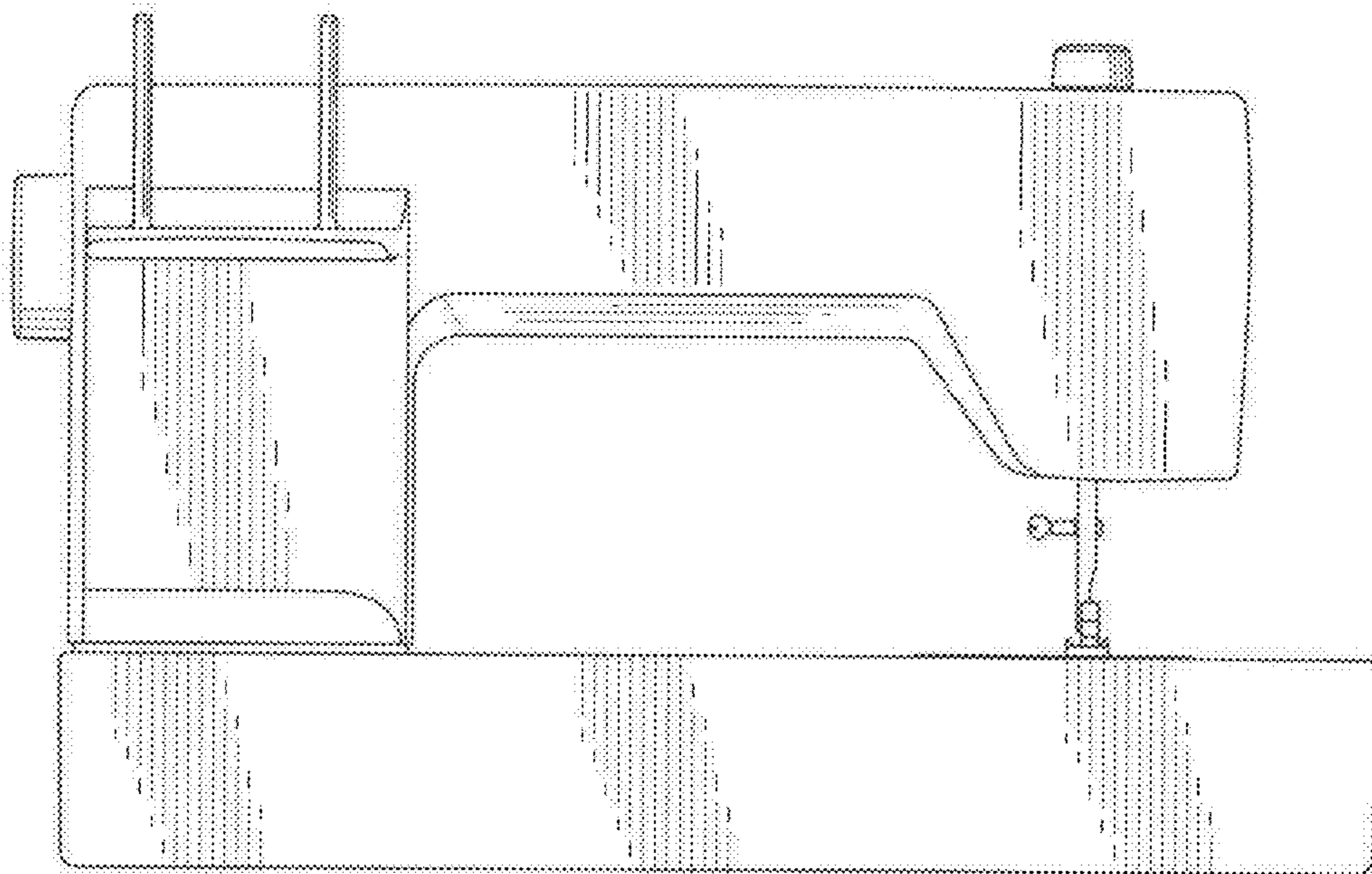
D527,744 S * 9/2006 Tseng D15/68
D557,291 S * 12/2007 Gustafsson D15/70

* cited by examiner

Fig. 1



F i g . 2



F i g . 3

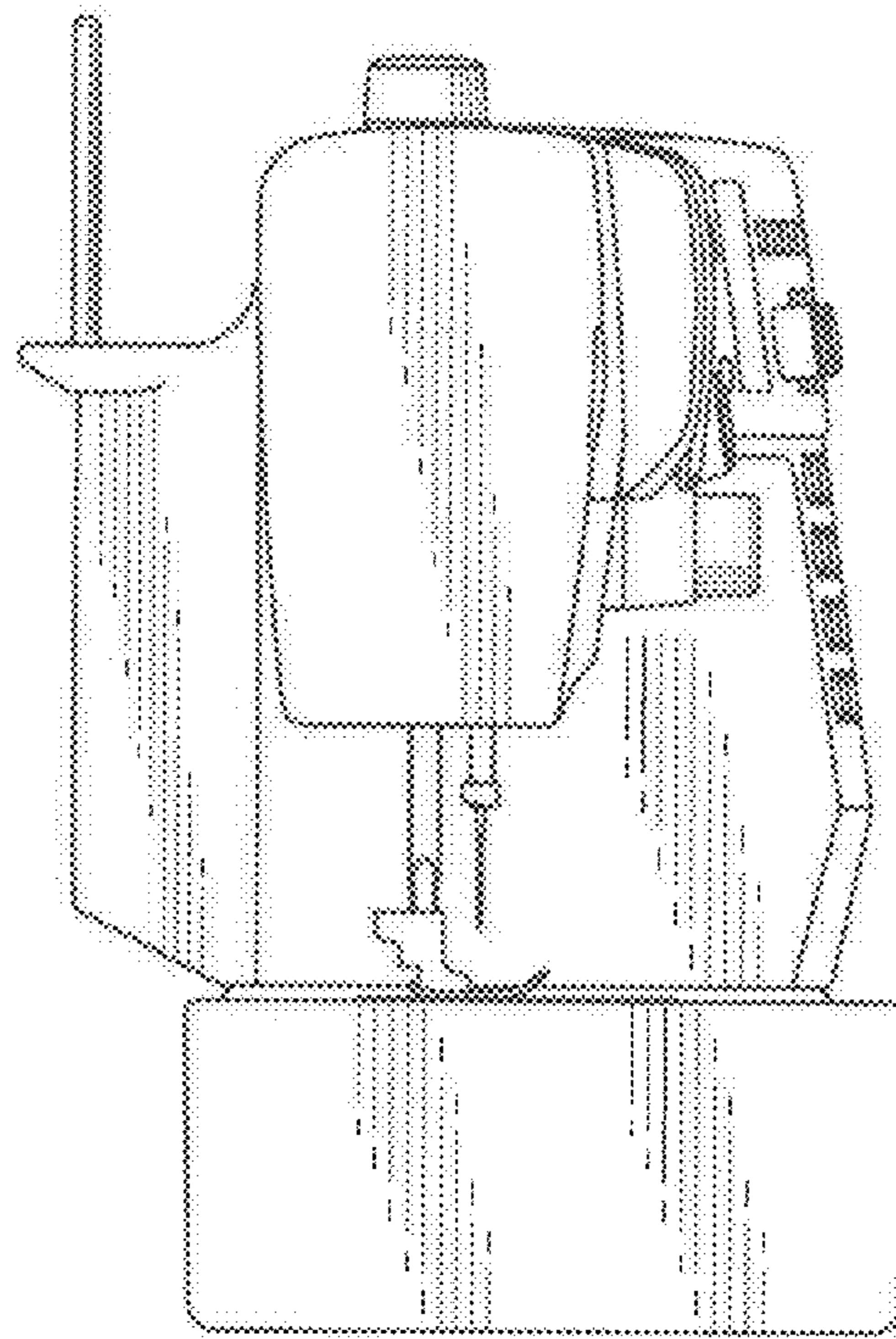
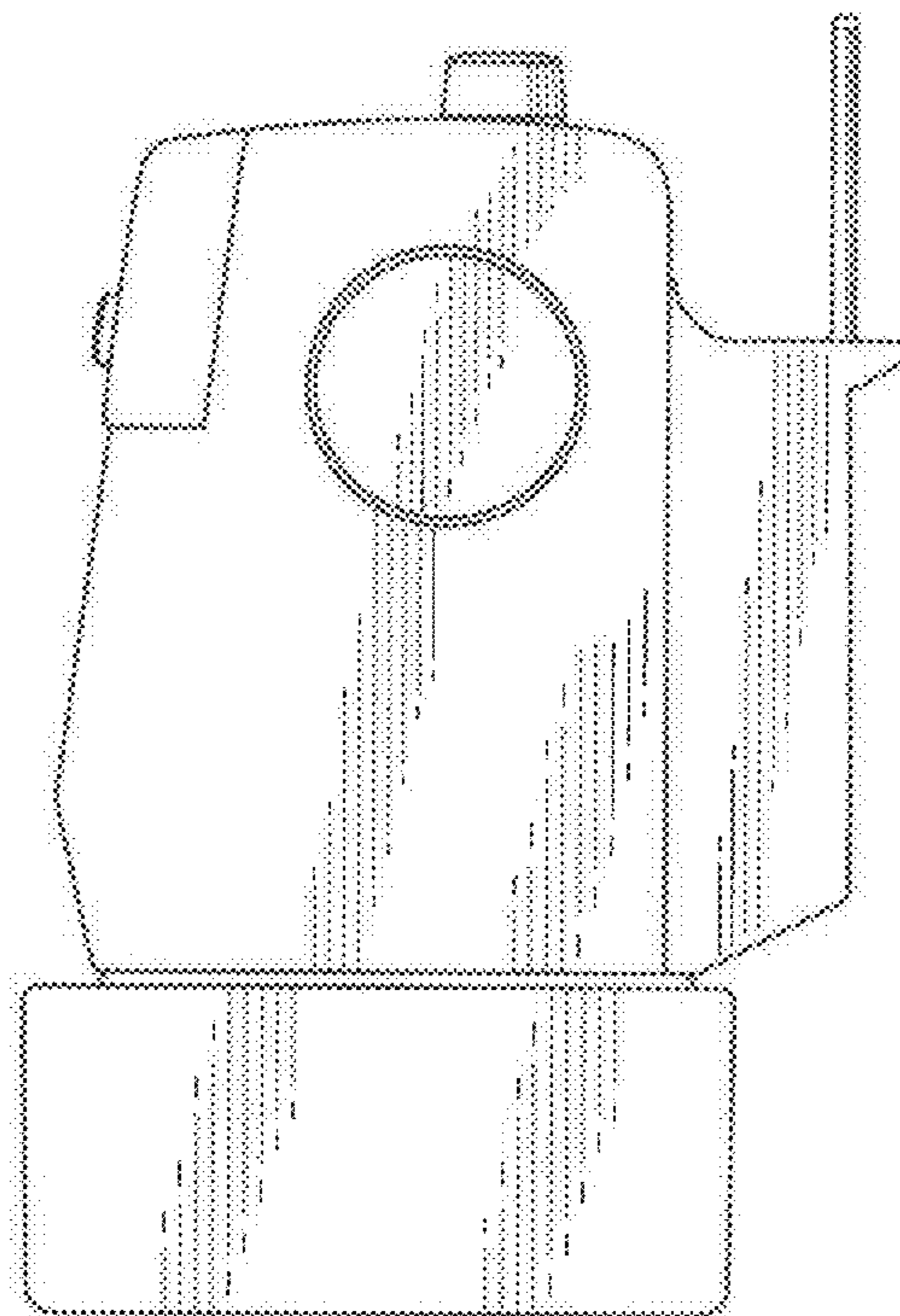


Fig. 4



F i g . 5

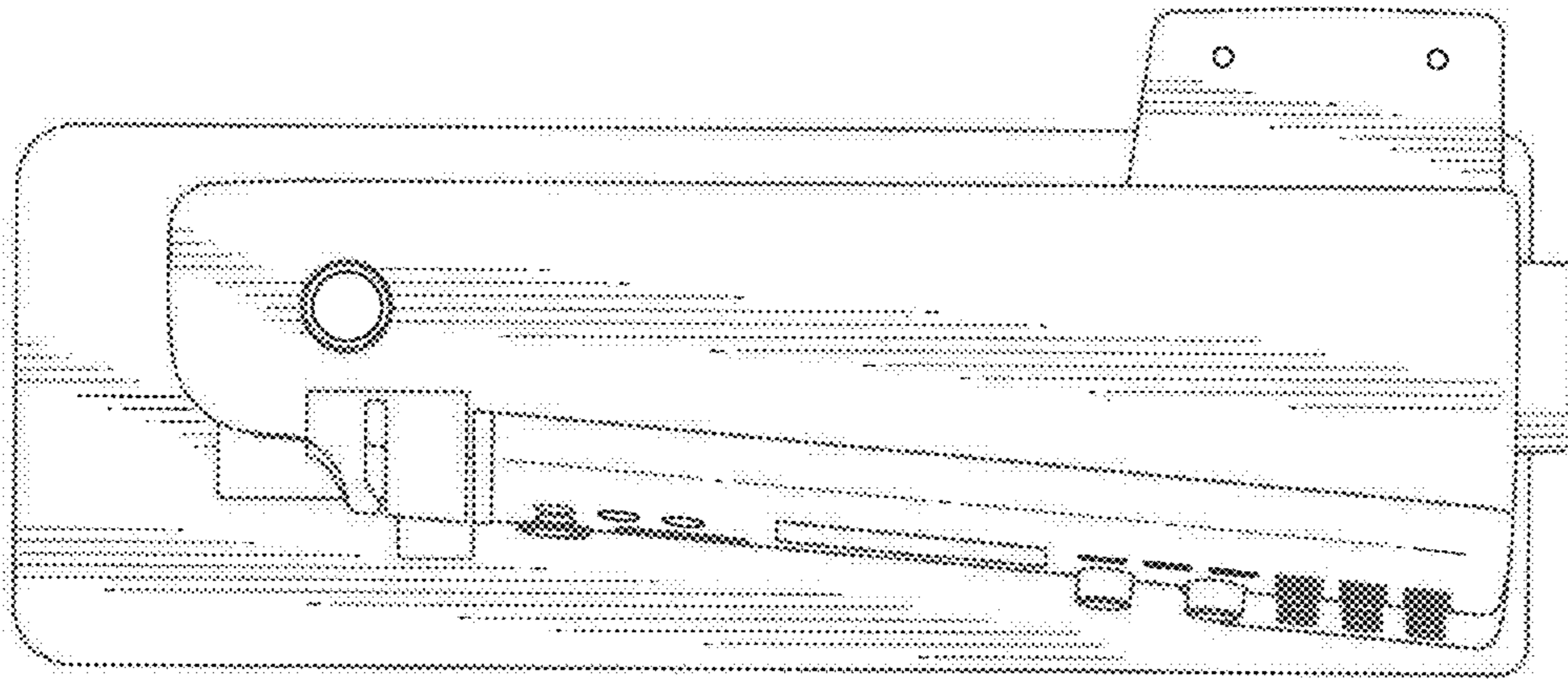


Fig. 6

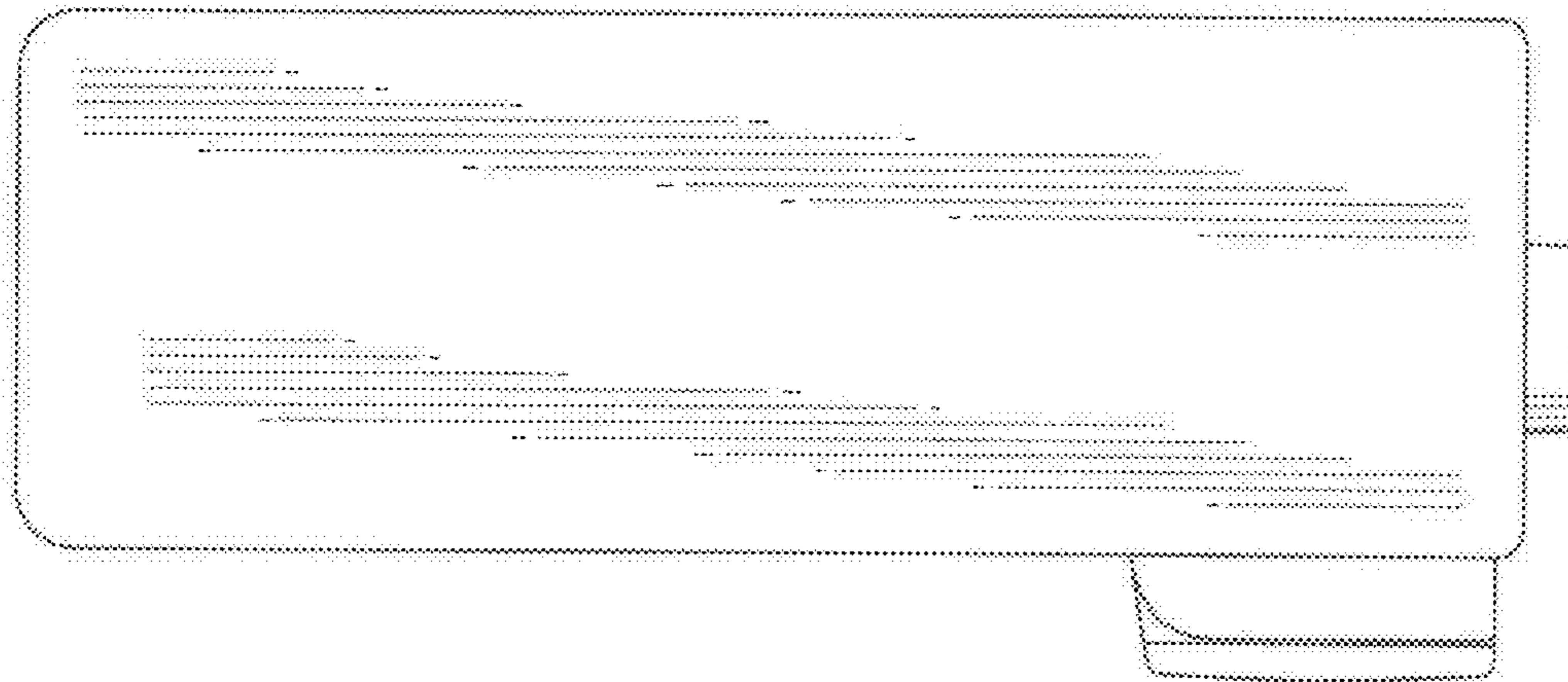
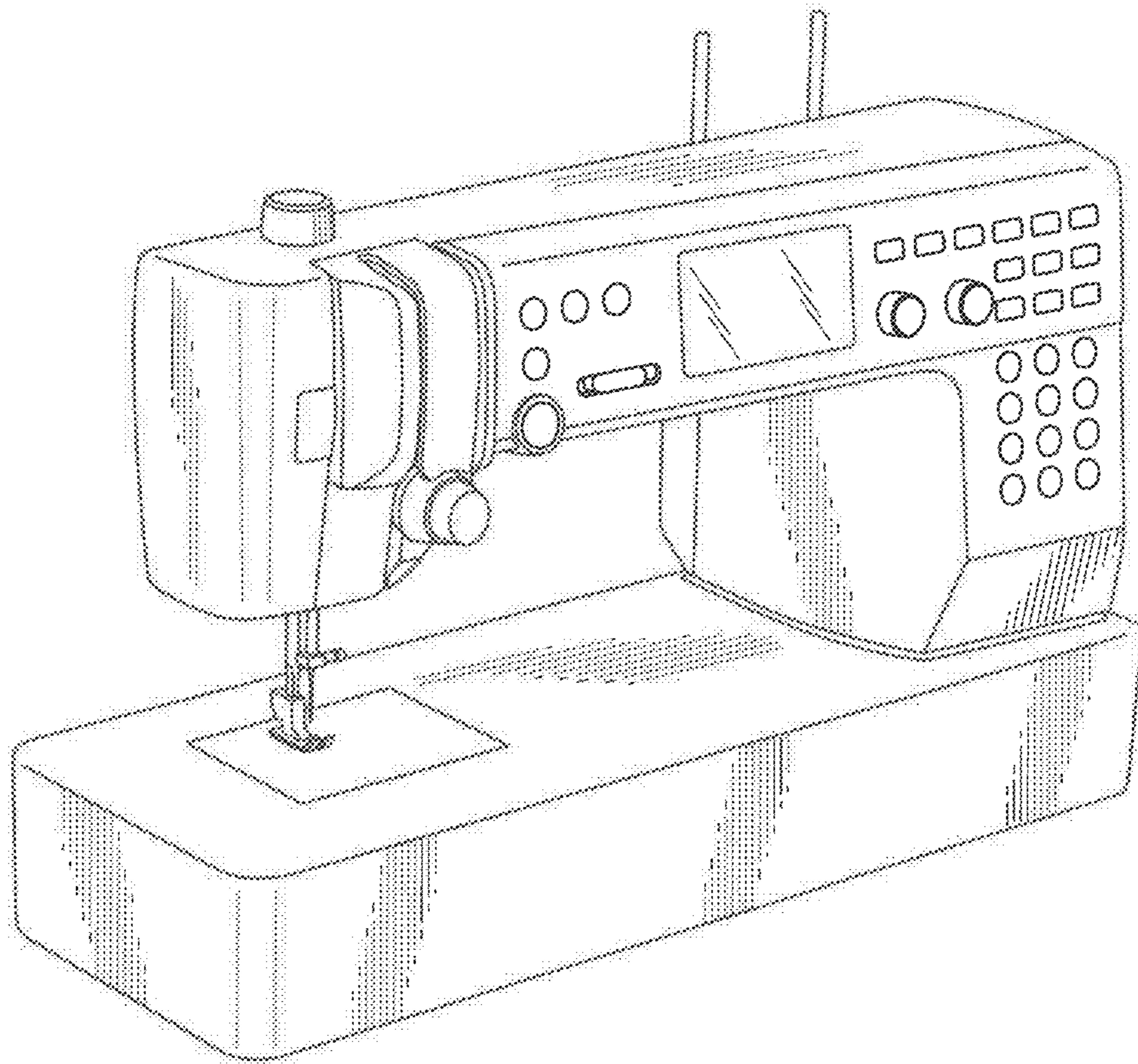
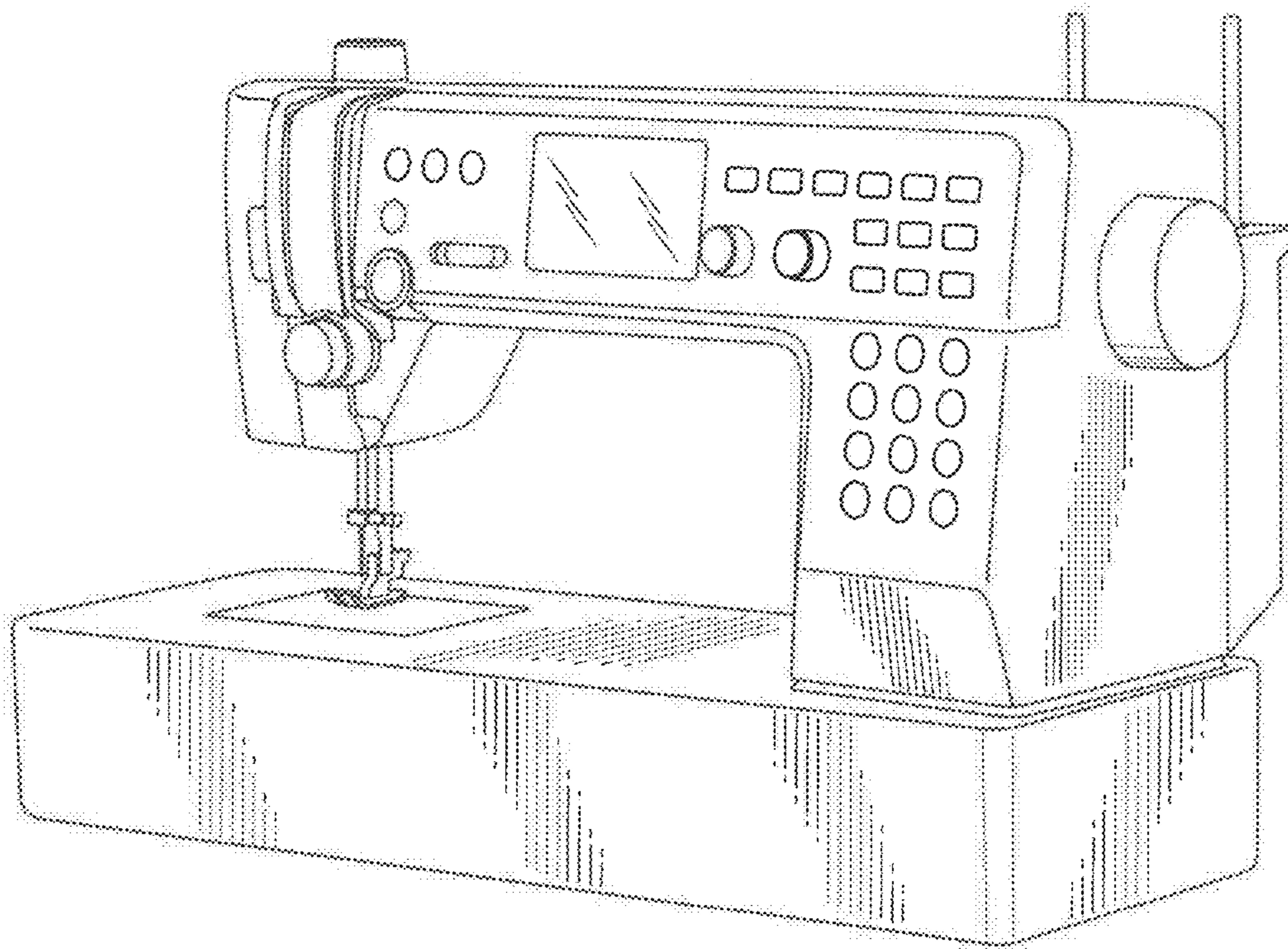


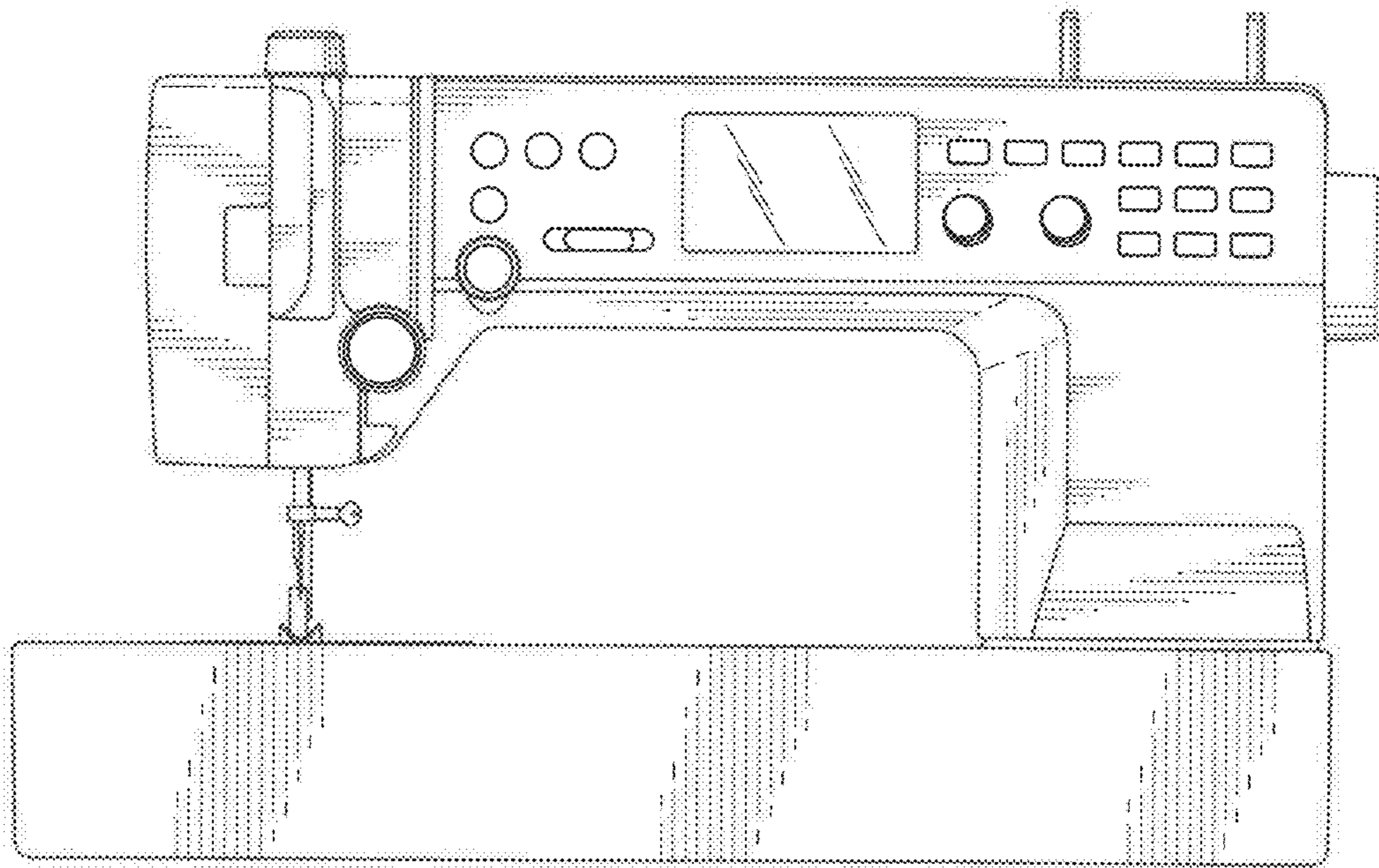
Fig. 7



F i g . 8



F i g . 9



F i g . 1 0

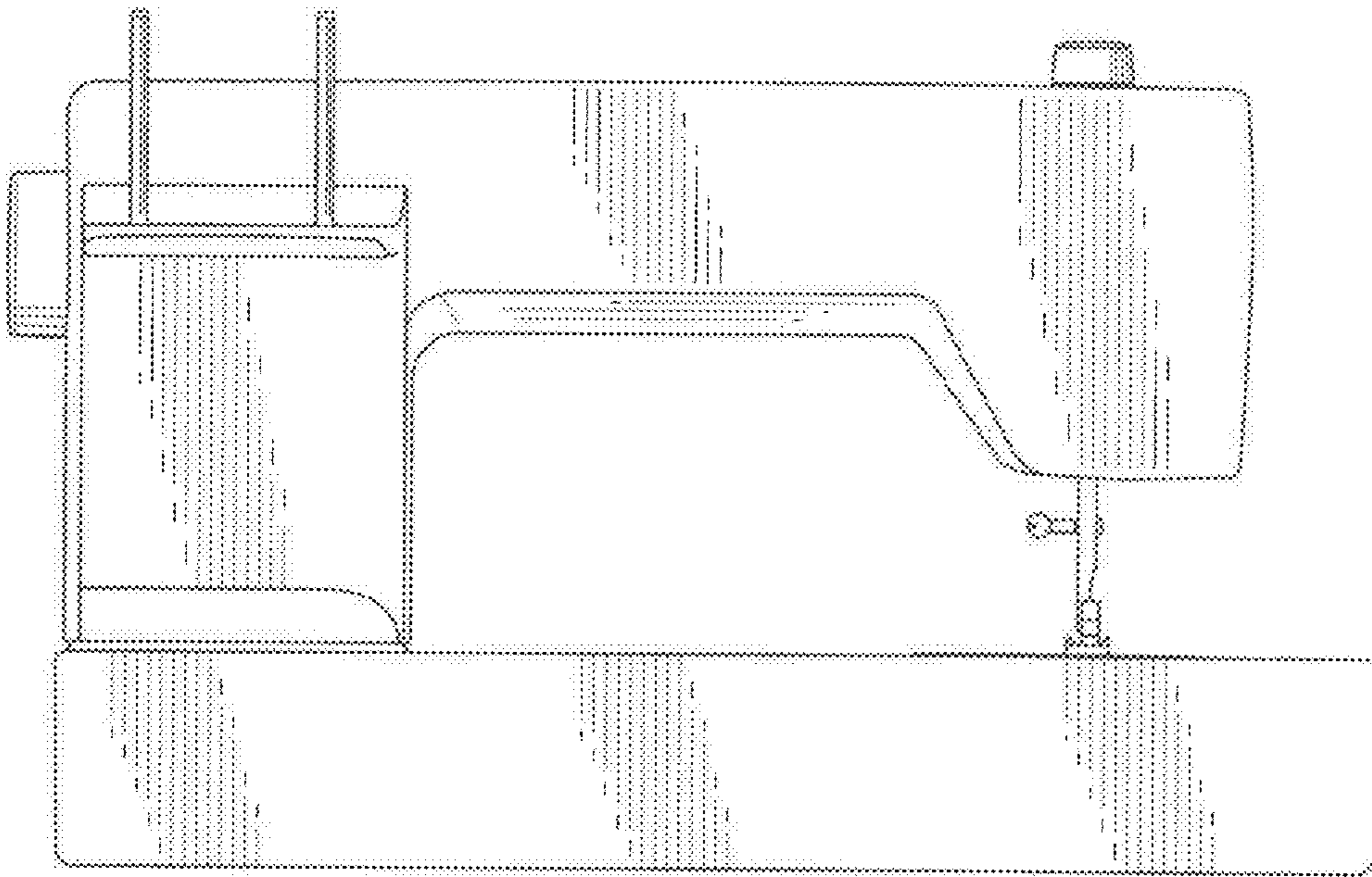


Fig. 11

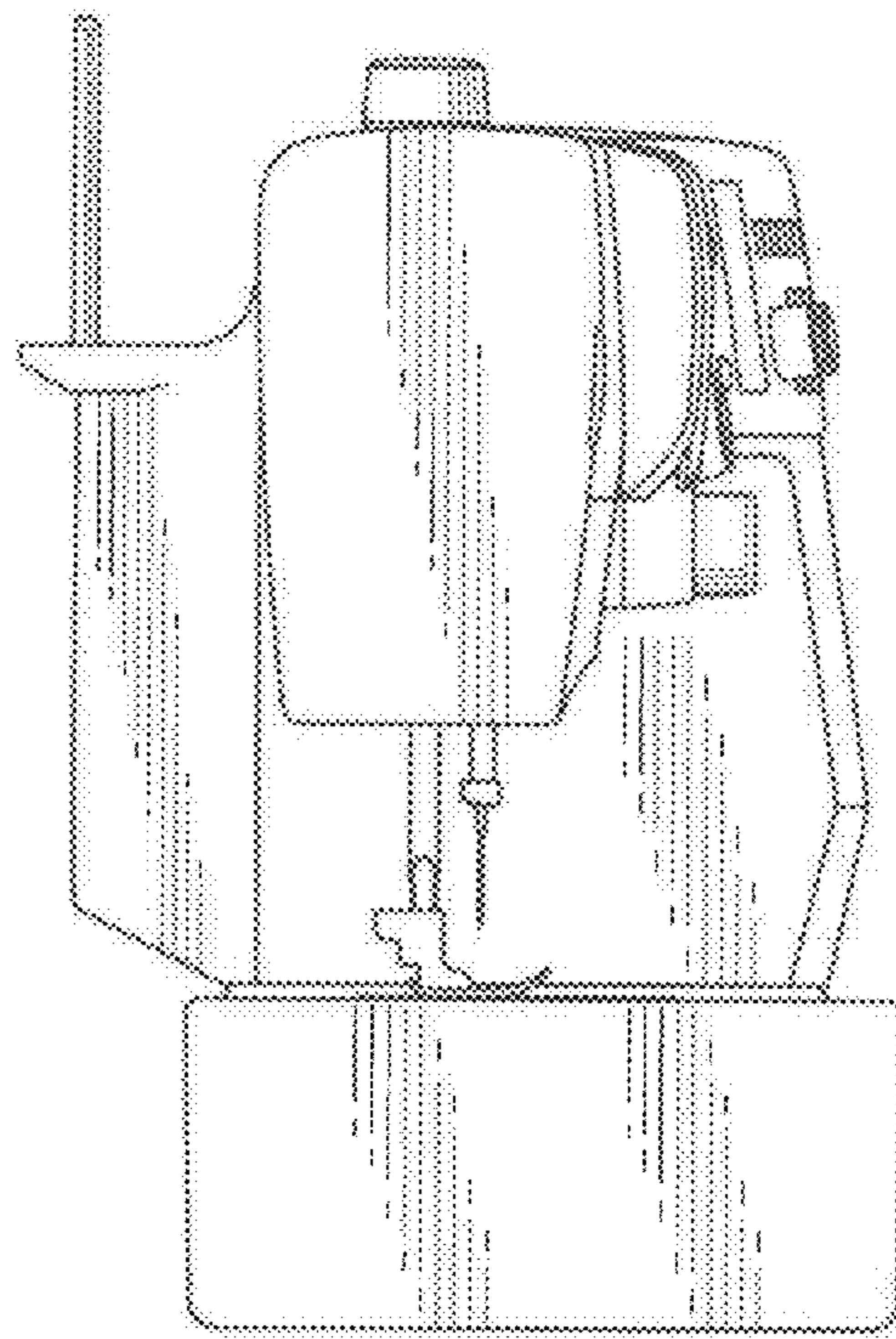


Fig. 12

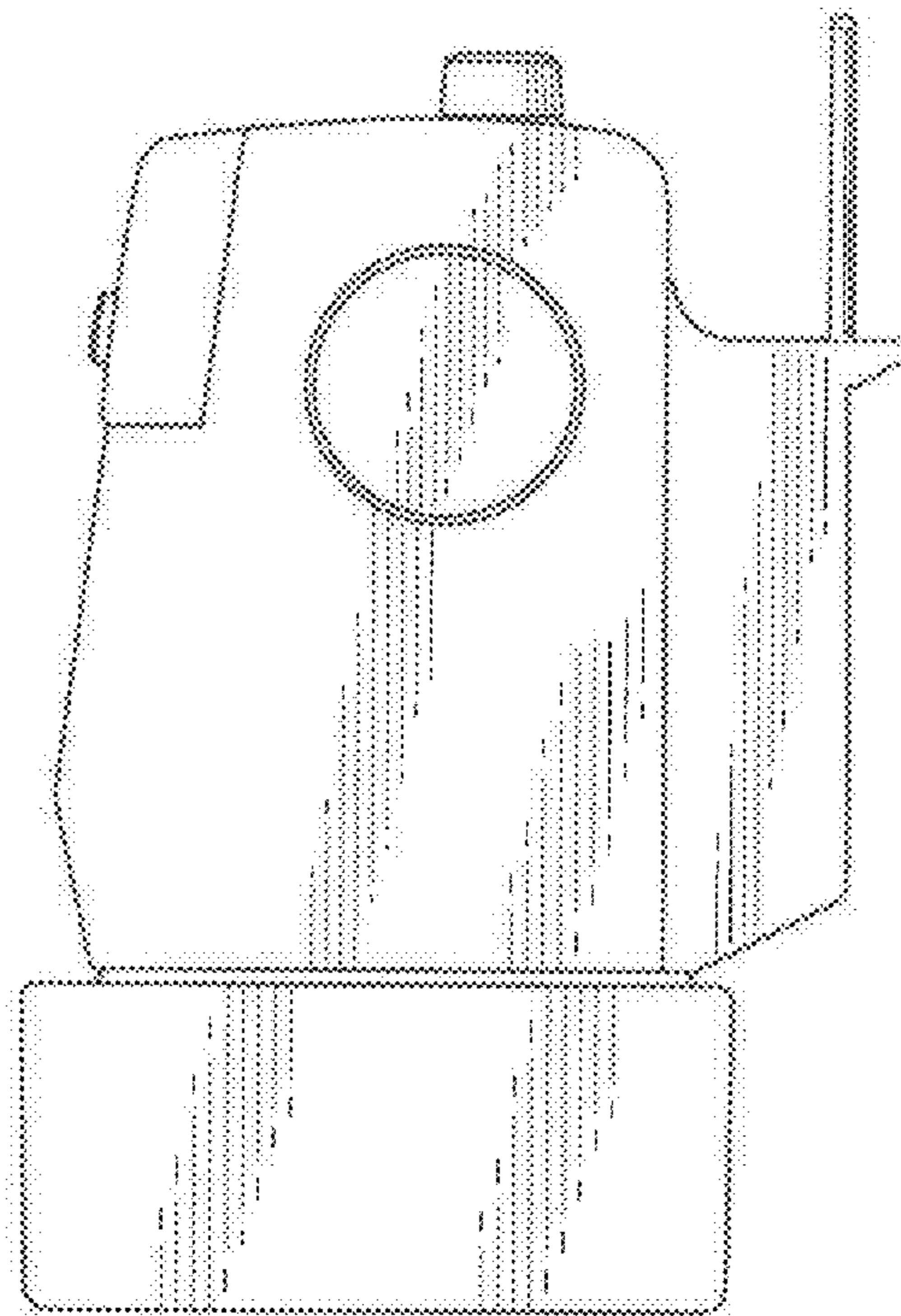
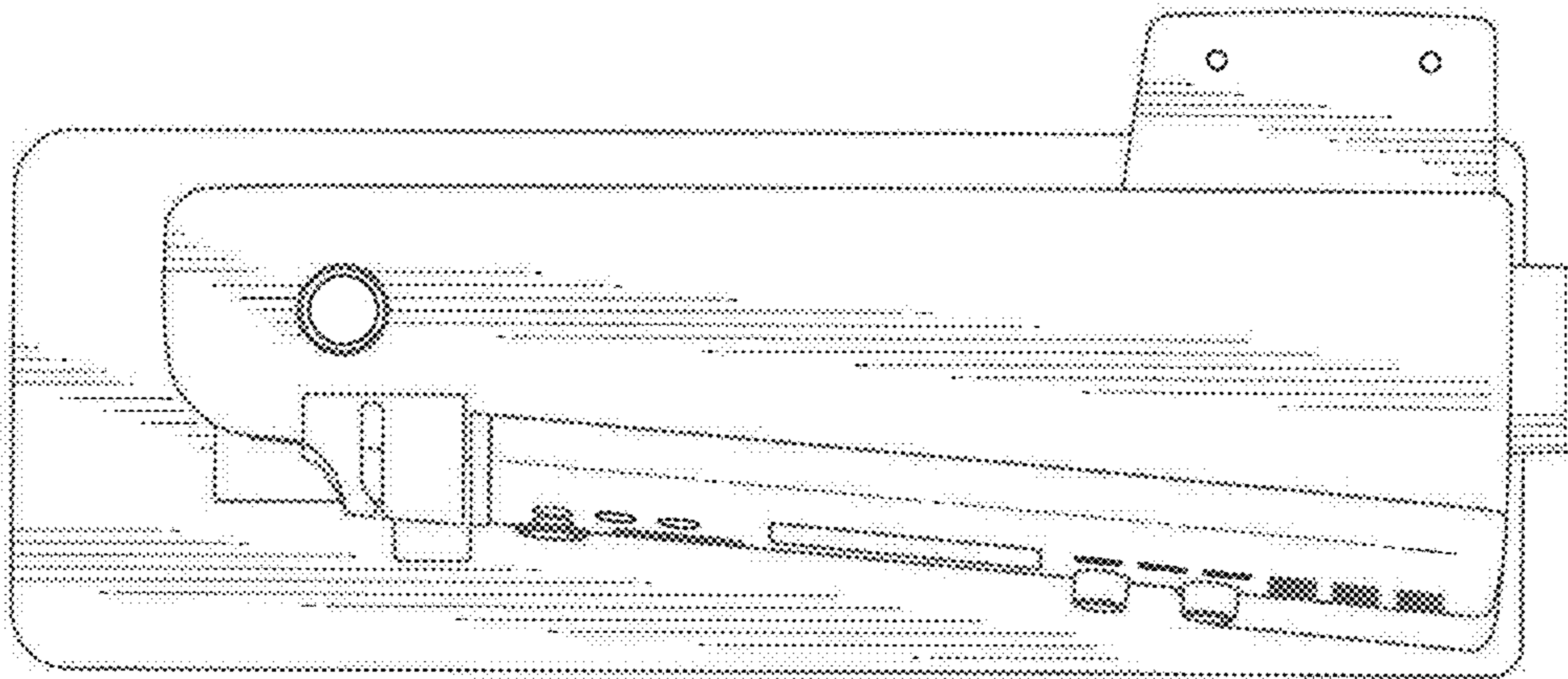


Fig. 13



F i g . 1 4

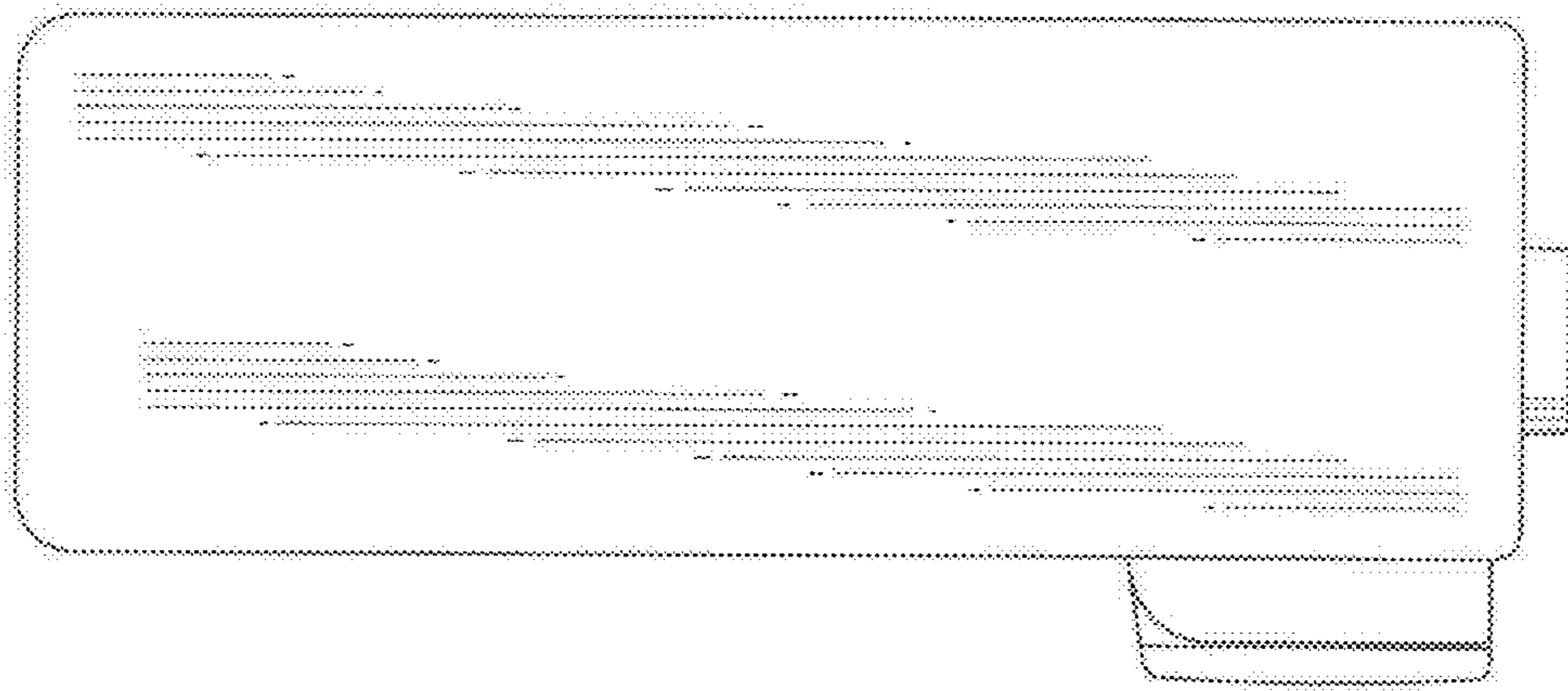


Fig. 15

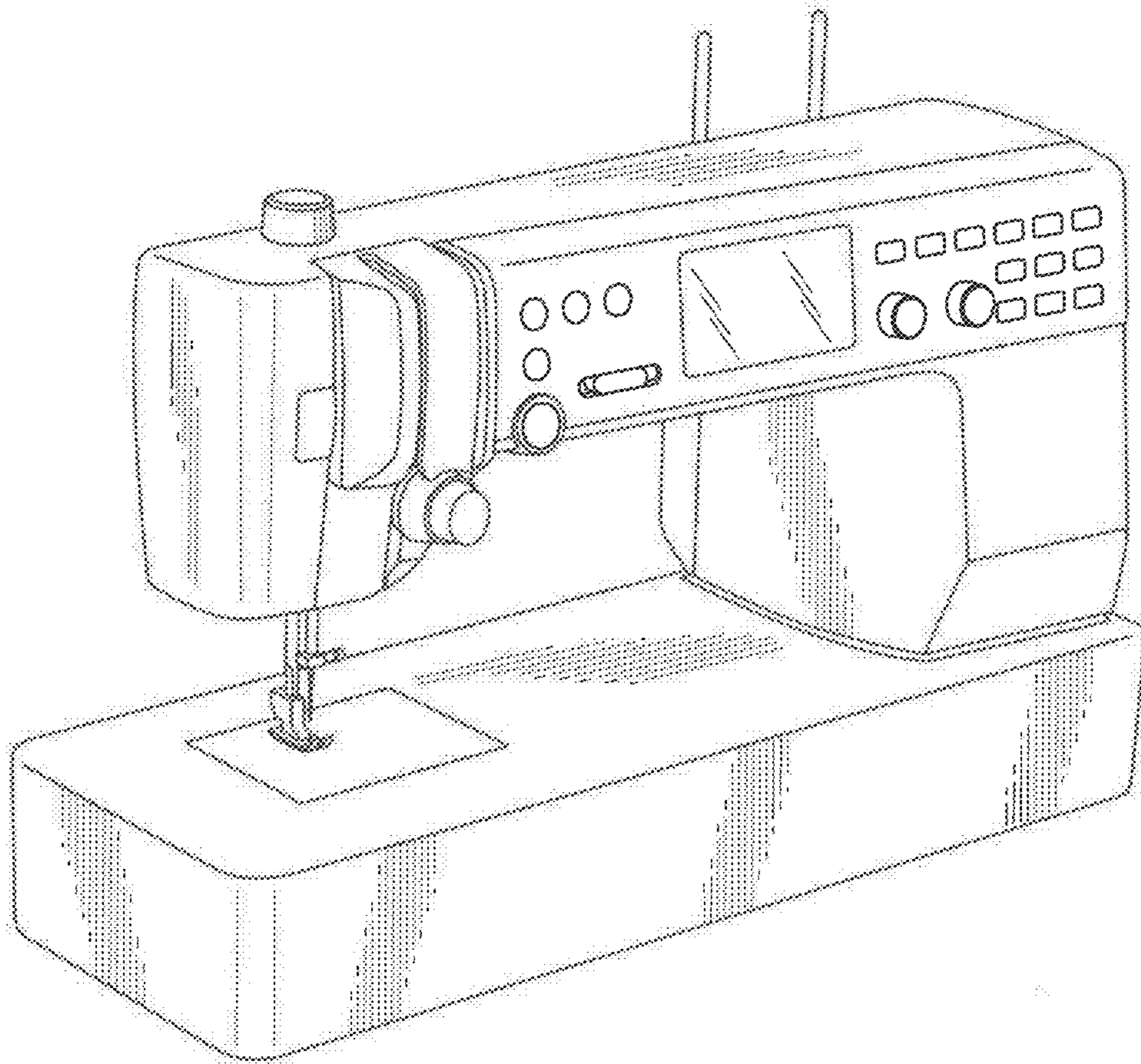


Fig. 16

