



US00D837836S

(12) **United States Design Patent**
Schwalbe et al.

(10) **Patent No.:** **US D837,836 S**
(45) **Date of Patent:** **** Jan. 8, 2019**

- (54) **PRODUCT TANK FOR SELF-PROPELLED AGRICULTURAL SPRAYER**
- (71) Applicant: **CNH Industrial America LLC**, New Holland, PA (US)
- (72) Inventors: **Blaine A. Schwalbe**, Valders, WI (US);
Ross P. Christiansen, Kiel, WI (US)
- (73) Assignee: **CNH Industrial America LLC**, New Holland, PA (US)

D644,160 S *	8/2011	Fries	D12/218
D644,161 S *	8/2011	Fries	D12/218
D647,166 S *	10/2011	Kimball	D23/202
D655,372 S *	3/2012	Kimball	D23/202
D656,520 S *	3/2012	Ortlund	D12/218
D663,325 S *	7/2012	Thunstrom	D15/13
D669,099 S *	10/2012	Ringer	D15/28
D669,100 S *	10/2012	Ringer	D15/28
D673,587 S *	1/2013	Truan	D15/28
D694,167 S *	11/2013	Forsberg	D12/218
8,657,143 B2 *	2/2014	Walker	B60K 15/063 220/562

(Continued)

(**) Term: **15 Years**

Primary Examiner — Mark A Goodwin

(21) Appl. No.: **29/623,425**

(74) *Attorney, Agent, or Firm* — Rebecca L. Henkel;
Rickard K. DeMille

(22) Filed: **Oct. 25, 2017**

(51) **LOC (11) Cl.** **15-03**

(52) **U.S. Cl.**
USPC **D15/28; D12/218**

(58) **Field of Classification Search**
USPC D15/28, 15, 23, 17; D12/218; 280/834,
280/288.4, 830, 124.1, 835; 180/69.4,
180/69.5, 89.12, 900, 225; 220/564, 524,
220/555, 567.2; 123/518–520
CPC B60K 15/00; B60K 15/03; B60K 15/07;
B60K 15/0306; B60K 15/063; B60K
15/073; B62D 21/16; F02M 37/0094
See application file for complete search history.

(57) **CLAIM**

The ornamental design for a product tank for a self-propelled agricultural sprayer, as shown and described.

DESCRIPTION

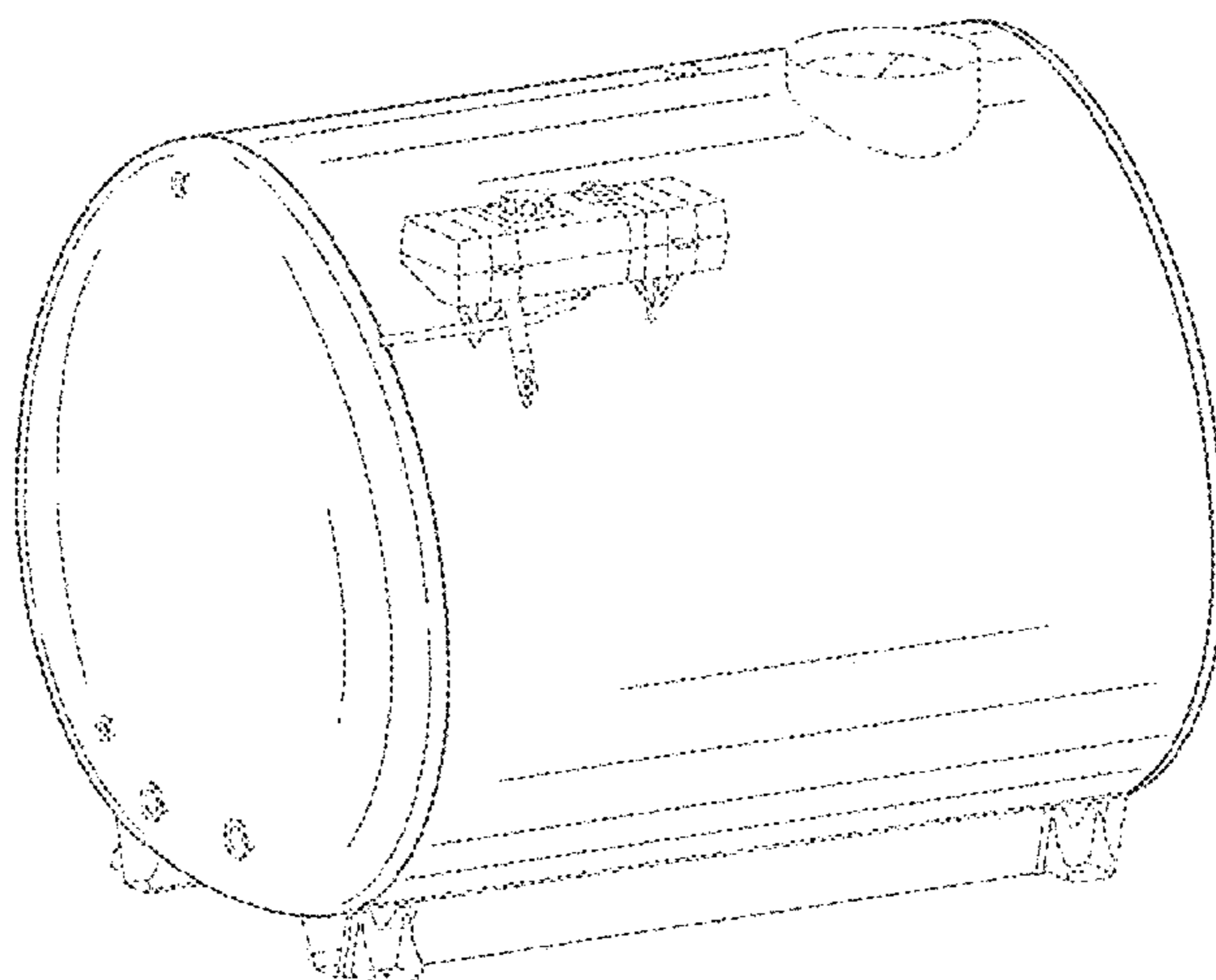
FIG. 1 is an isometric view of a product tank for a self-propelled agricultural sprayer in accordance with the present invention;
FIG. 2 is a side elevation view of a first side of the product tank of FIG. 1;
FIG. 3 is a side elevation view of a second side of the product tank of FIG. 1;
FIG. 4 is a front elevation view of the product tank of FIG. 1;
FIG. 5 is a rear elevation of the product tank of FIG. 1;
FIG. 6 is a top plan view of the product tank of FIG. 1; and,
FIG. 7 is a bottom plan view of the product tank of FIG. 1.
The broken line showing of surface structures is included for the purpose of illustrating portions of the product tank for self-propelled agricultural sprayer and forms no part of the claimed design.

(56) **References Cited**

U.S. PATENT DOCUMENTS

4,480,845 A *	11/1984	Hansen	B60K 15/00 280/164.1
D433,425 S *	11/2000	Surrige	D15/17
D435,503 S *	12/2000	Gukeisen	D12/218
D441,710 S *	5/2001	Moehle	D12/218
6,402,198 B2 *	6/2002	Gollungberg	B60K 15/067 280/830
D562,350 S *	2/2008	Higashikawa	D12/218

1 Claim, 4 Drawing Sheets



(56)

References Cited

U.S. PATENT DOCUMENTS

D728,632 S	*	5/2015	Klassen	D12/218
D728,633 S	*	5/2015	Klassen	D12/218
D772,773 S	*	11/2016	Andersen	D12/218
D803,756 S	*	11/2017	Andersen	D12/218
D820,765 S	*	6/2018	Hensley	D12/218

* cited by examiner

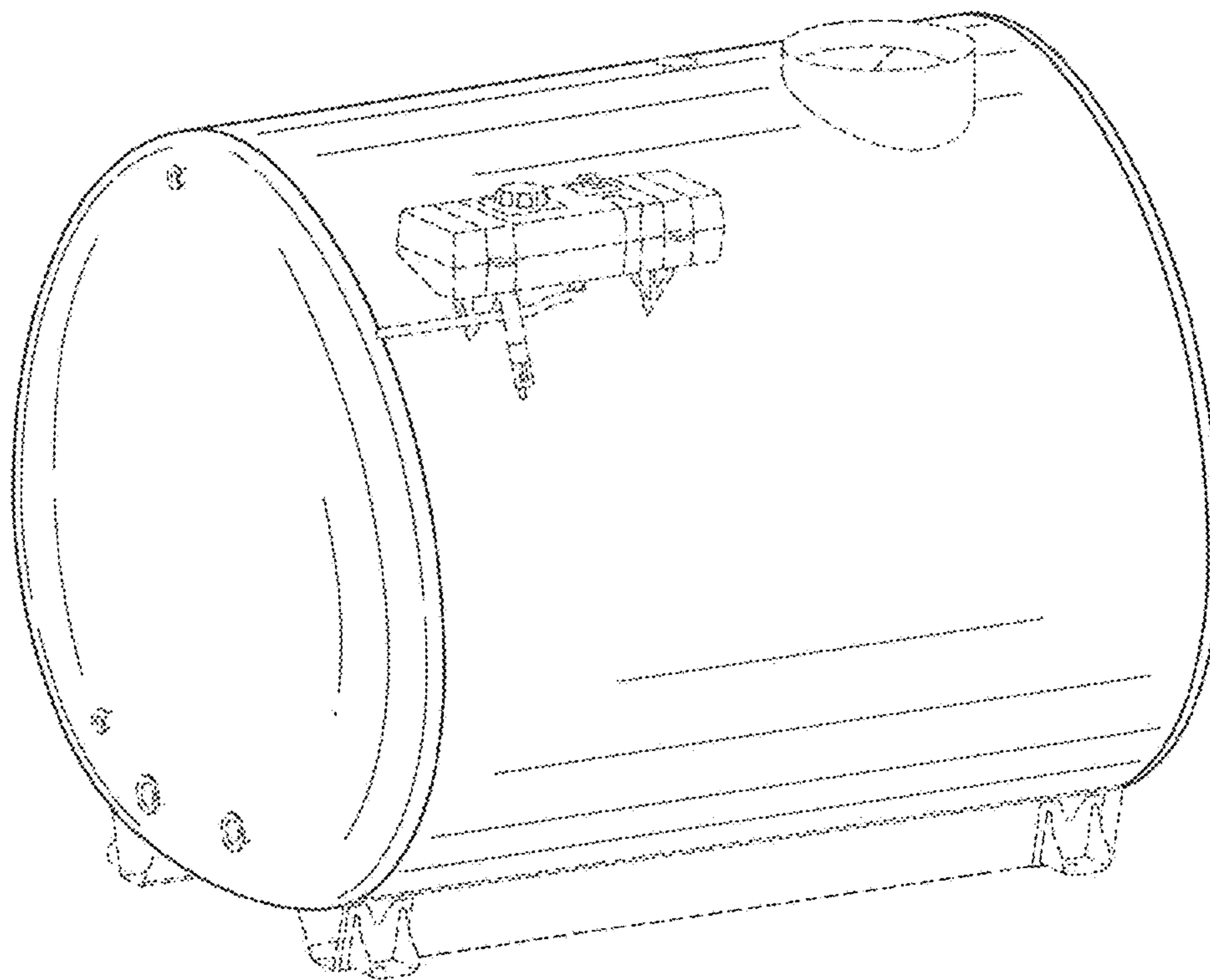


FIG. 1

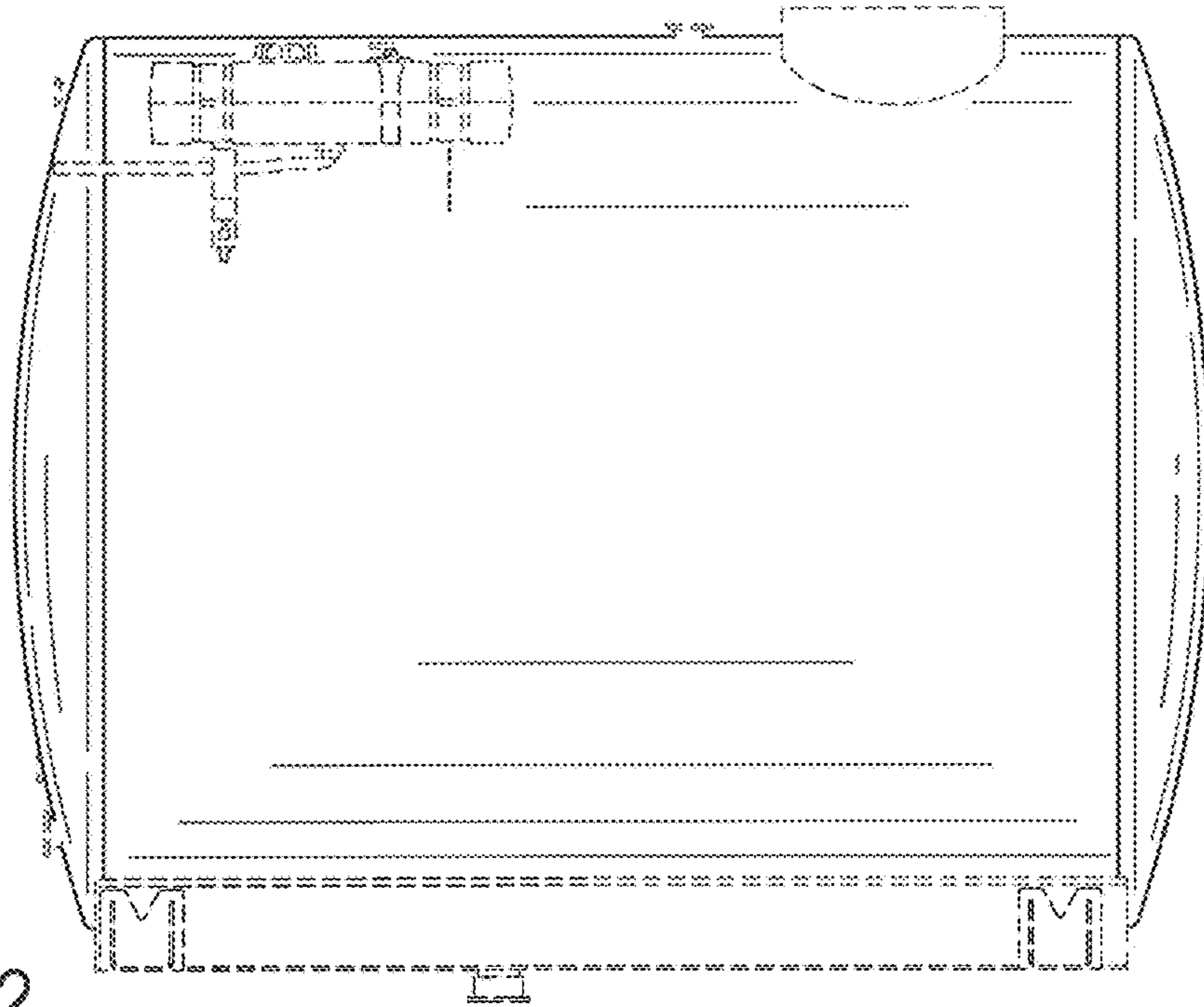


FIG. 2

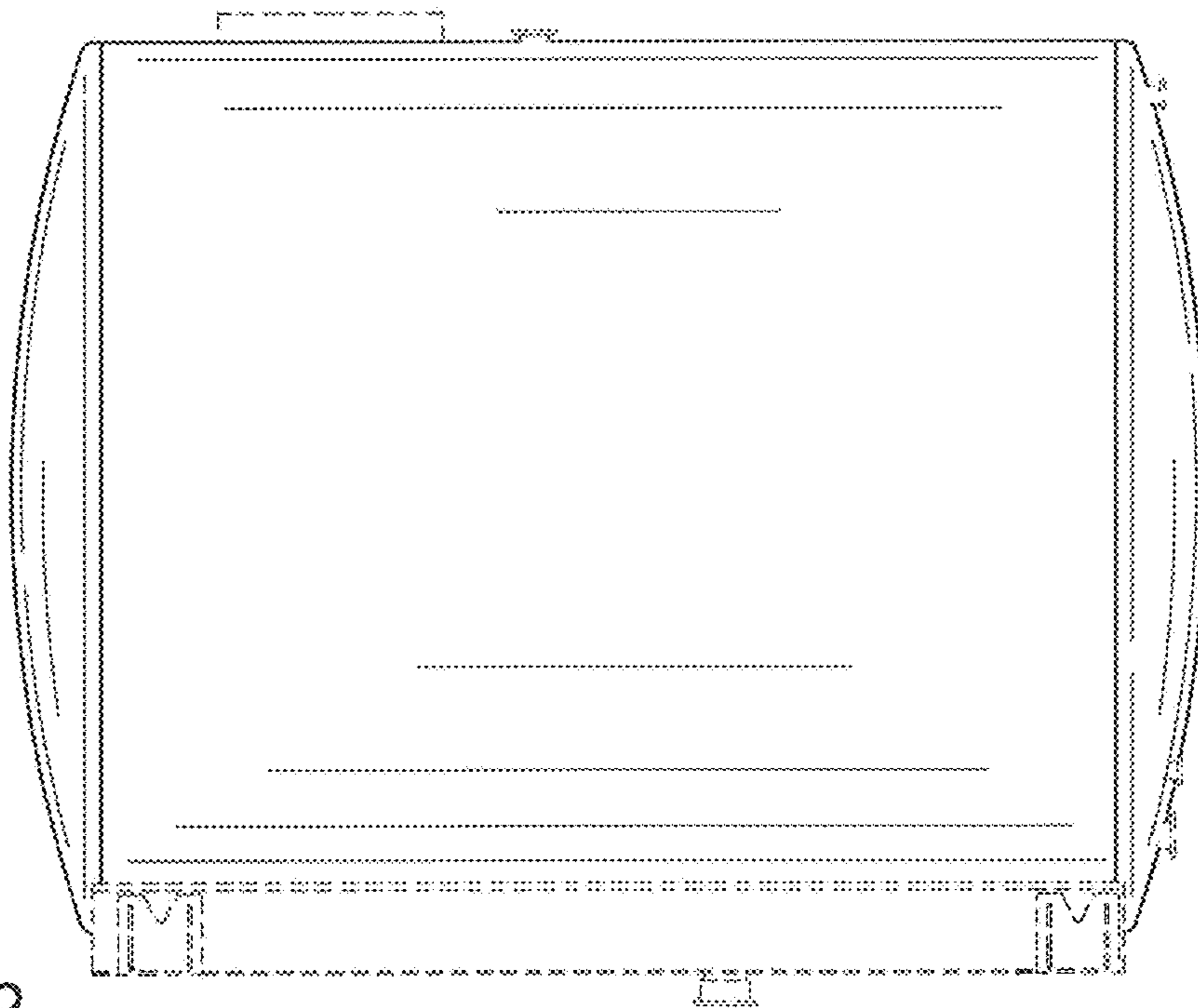


FIG. 3

FIG. 4

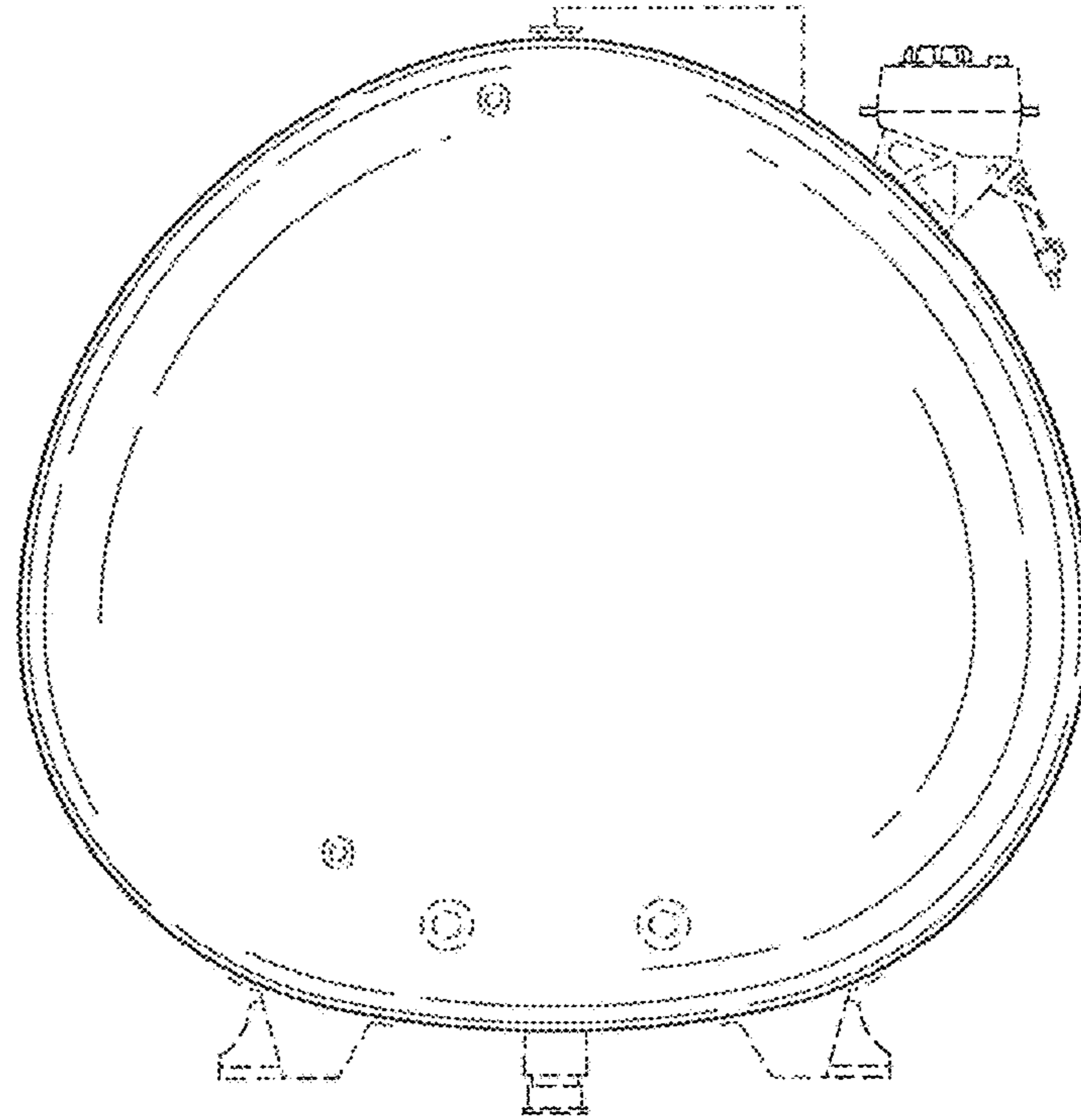
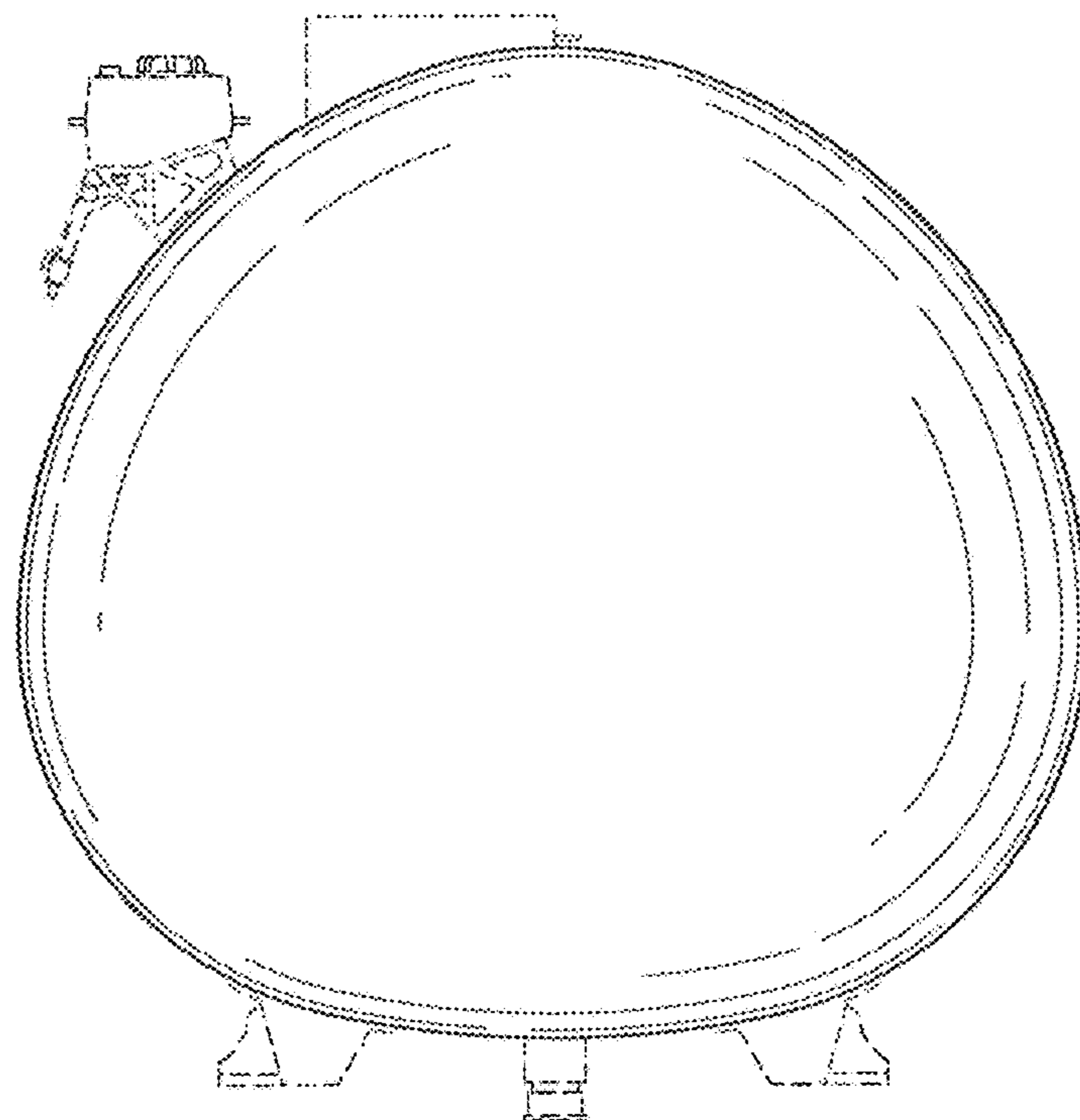


FIG. 5



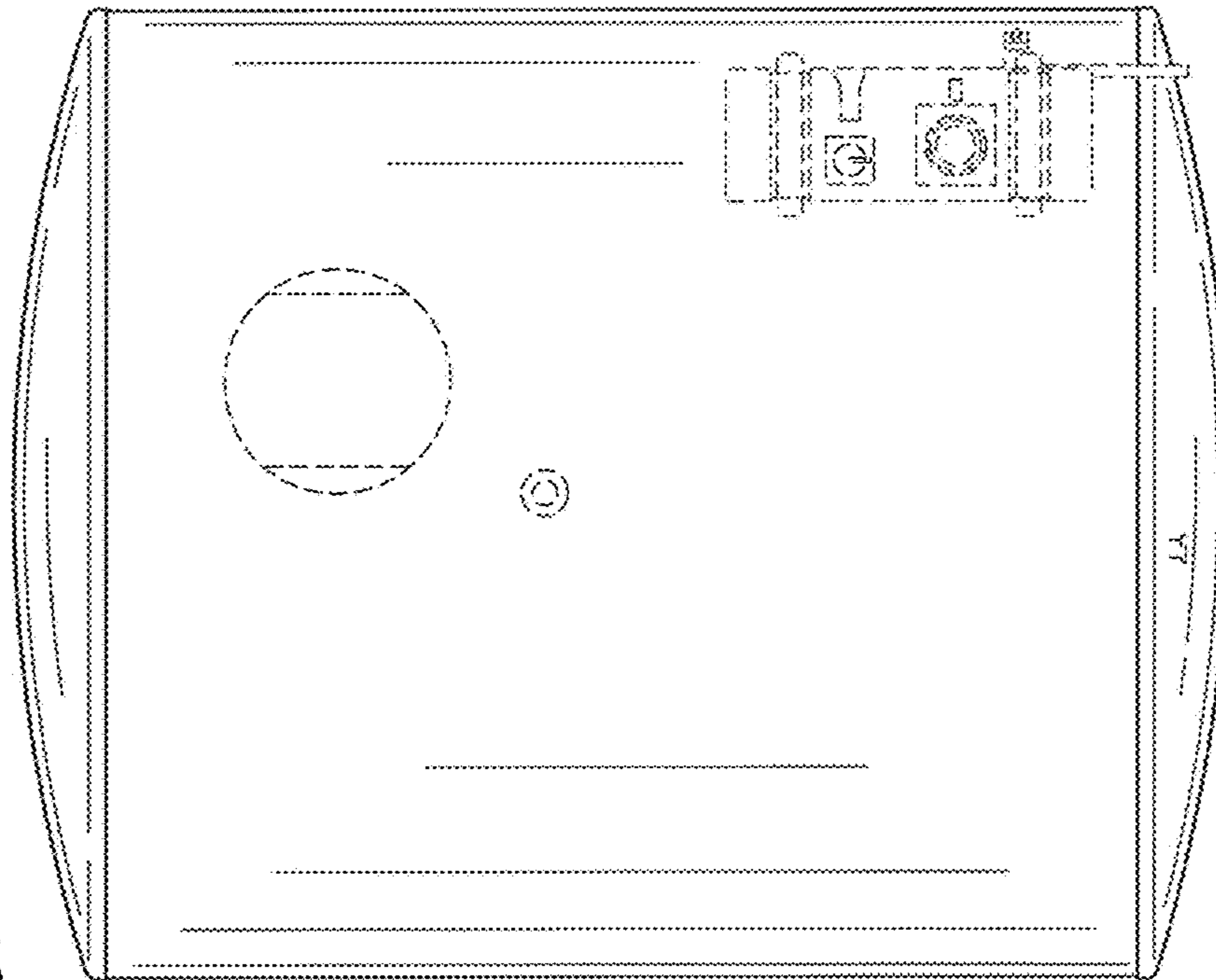


FIG. 6

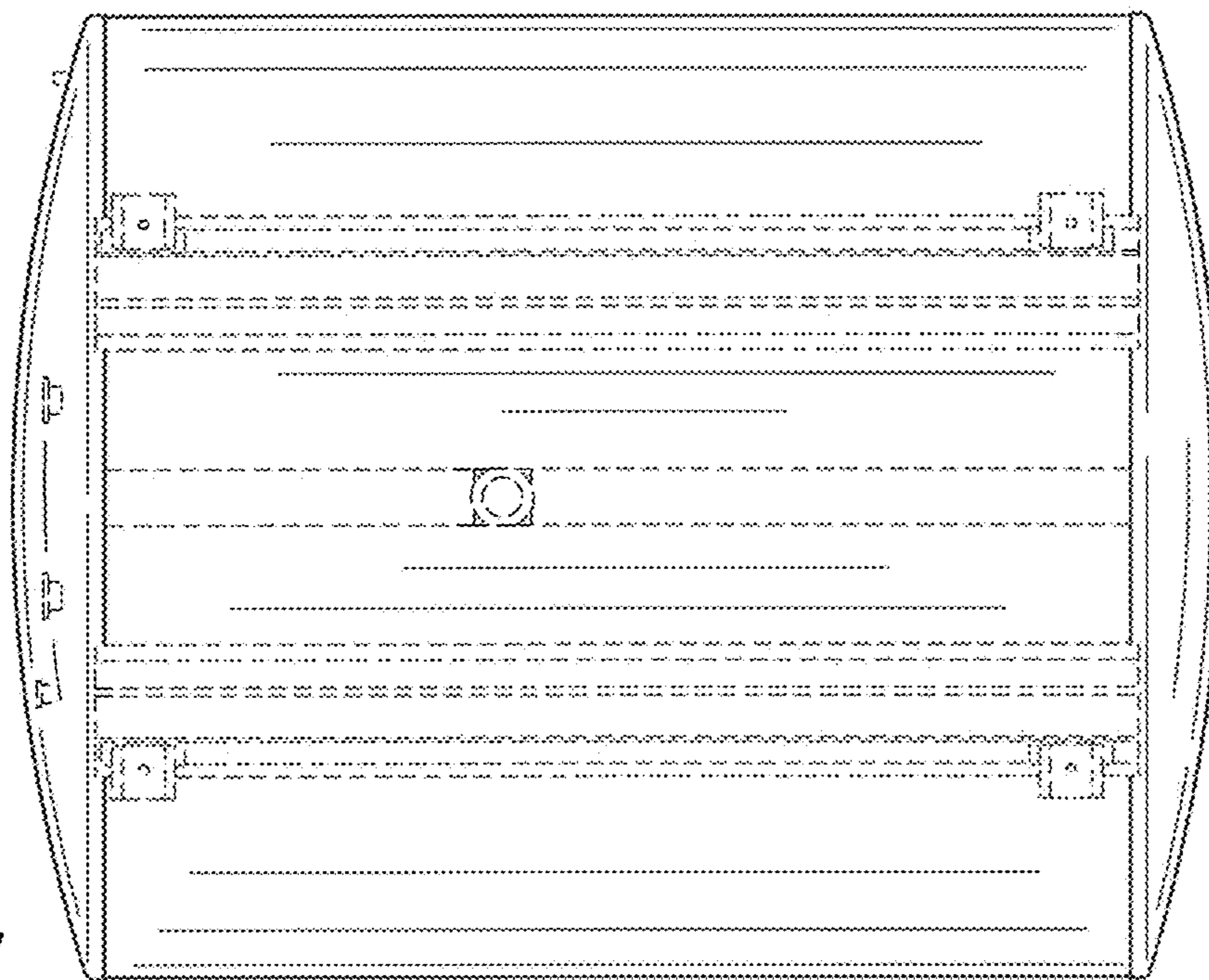


FIG. 7