



US00D837833S

(12) **United States Design Patent**  
**Geldenhuis et al.**

(10) **Patent No.:** **US D837,833 S**  
(45) **Date of Patent:** **\*\* Jan. 8, 2019**

(54) **CASING**  
(71) Applicant: **BATTLEMAX (PTY) LTD., Centurion (ZA)**  
(72) Inventors: **Siegfried Geldenhuis, Knysna (ZA); Marthinus Jacobus Buitendag, Centurion (ZA)**  
(73) Assignee: **BATTLEMAX (PTY) LTD., Sunderland Ridge, Centurion (ZA)**  
(\*\*) Term: **15 Years**  
(21) Appl. No.: **29/596,388**  
(22) Filed: **Mar. 8, 2017**

1,967,182 A \* 7/1934 Allen ..... F04D 29/2294  
277/369  
2,110,079 A \* 3/1938 Butler ..... F04D 29/4286  
138/36  
3,018,736 A \* 1/1962 Clay ..... F04D 29/4286  
406/99  
4,776,760 A \* 10/1988 Grisz ..... F04D 29/4286  
415/128  
5,813,833 A \* 9/1998 Addie ..... F04D 7/04  
415/121.1  
6,053,698 A \* 4/2000 Hergt ..... F04D 7/04  
415/121.1  
6,431,831 B1 \* 8/2002 Addie ..... F04D 7/04  
415/206  
D608,677 S \* 1/2010 Glaves ..... D15/7  
D609,250 S \* 2/2010 Liu ..... D15/7  
D610,165 S \* 2/2010 Glaves ..... D15/7  
2007/0071907 A1 \* 3/2007 Stiles ..... B23K 26/1476  
427/554

(30) **Foreign Application Priority Data**  
Sep. 8, 2016 (ZA) ..... F2016/01312  
(51) **LOC (11) Cl.** ..... **15-02**  
(52) **U.S. Cl.**  
USPC ..... **D15/7**  
(58) **Field of Classification Search**  
USPC ..... D15/5-9; D23/231, 232, 225  
CPC .... F02M 37/04; F02M 37/14; F04D 29/4286;  
F04D 1/00; F04D 1/063; F04D 1/066;  
F04D 7/02; F04D 17/08; F04D 29/005;  
F04D 29/40; F04D 29/026; F04D  
29/4293; F04D 7/04; F04D 15/0033;  
F04D 17/125; F04D 17/127; B29C  
43/203; B29C 43/003  
See application file for complete search history.

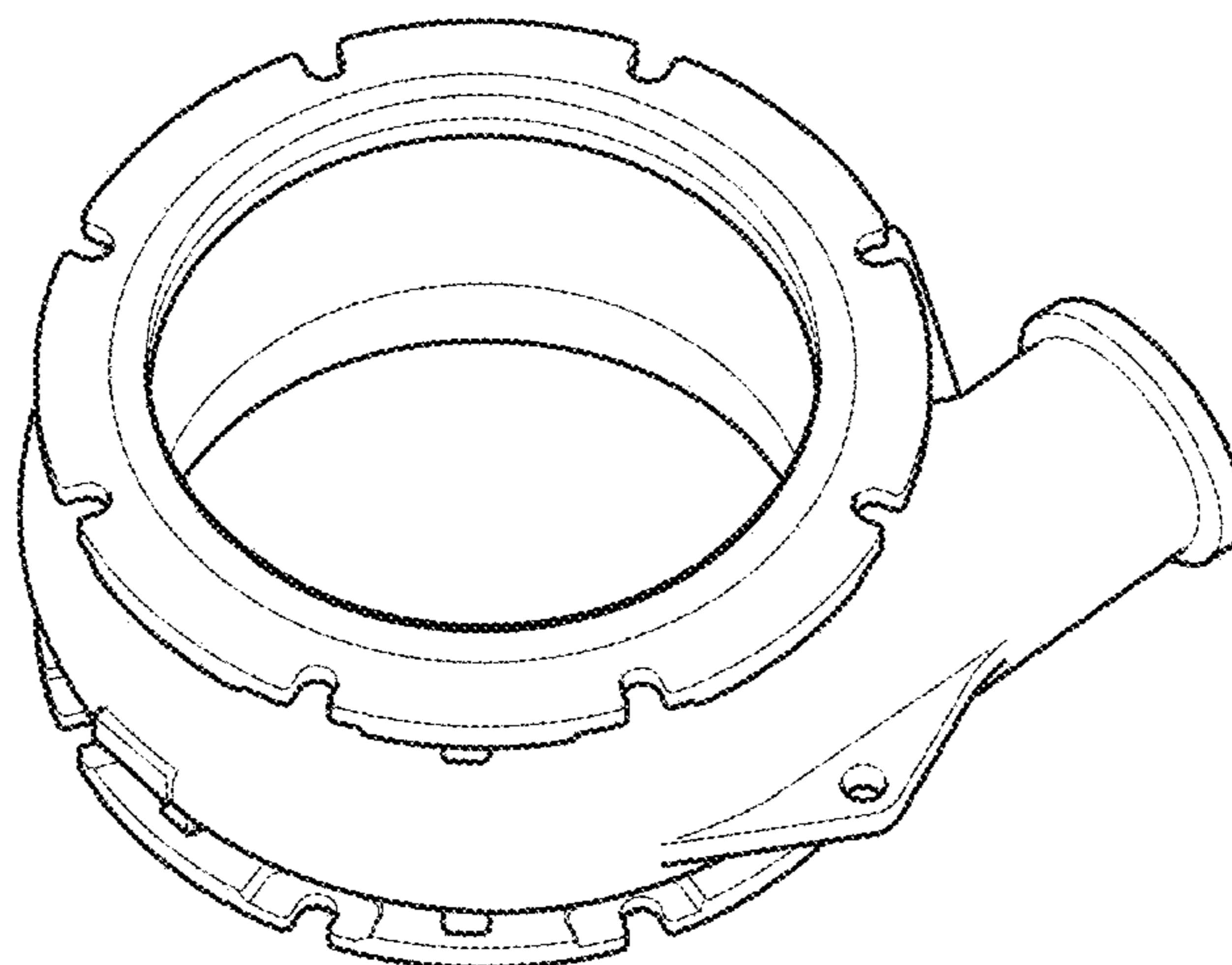
\* cited by examiner  
*Primary Examiner* — T Chase Nelson  
*Assistant Examiner* — Ania Aman  
(74) *Attorney, Agent, or Firm* — Tutunjian & Bitetto, P.C.

(56) **References Cited**  
U.S. PATENT DOCUMENTS  
666,234 A \* 1/1901 McRae ..... F04D 29/4286  
285/55  
888,814 A \* 5/1908 Jones ..... F04D 29/4286  
285/189

(57) **CLAIM**  
The ornamental design for a casing, as shown and described.

**DESCRIPTION**  
FIG. 1 is a perspective view of the casing showing our new design;  
FIG. 2 is a top view thereof;  
FIG. 3 is a bottom view thereof;  
FIG. 4 is a Left side view thereof;  
FIG. 5 is a Right side view thereof;  
FIG. 6 is a rear view thereof; and,  
FIG. 7 is a front view thereof.

**1 Claim, 3 Drawing Sheets**



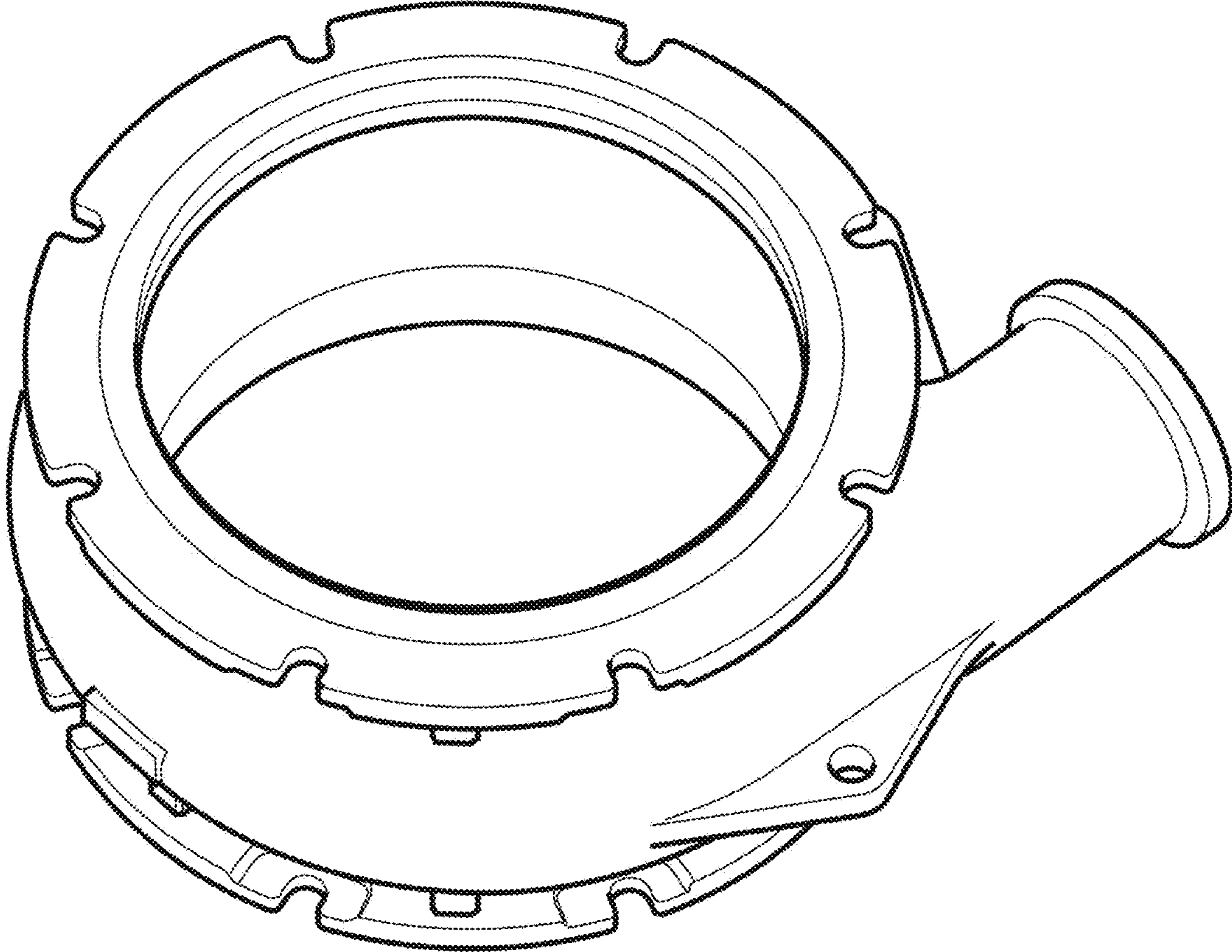


FIG. 1

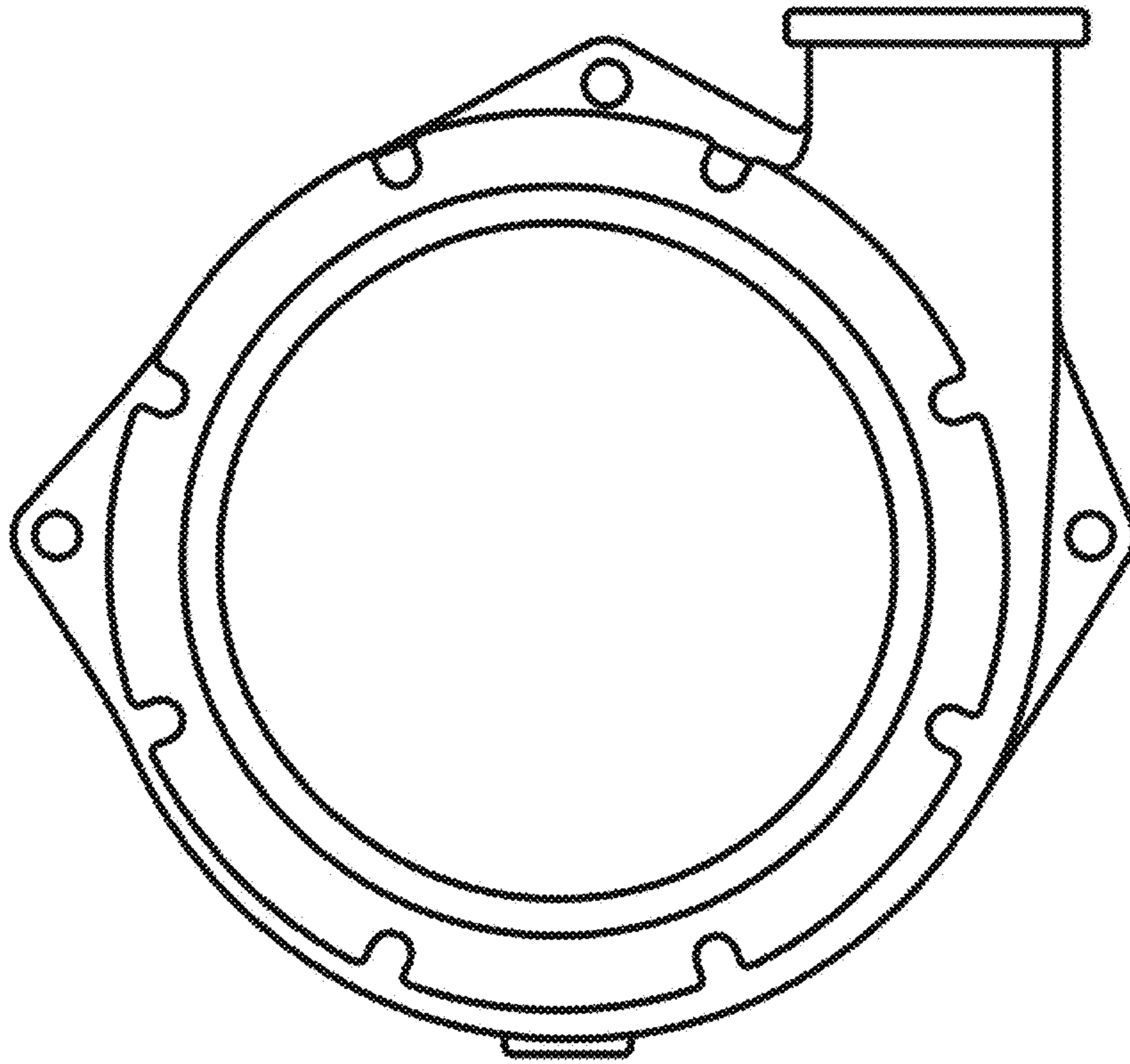


FIG. 2

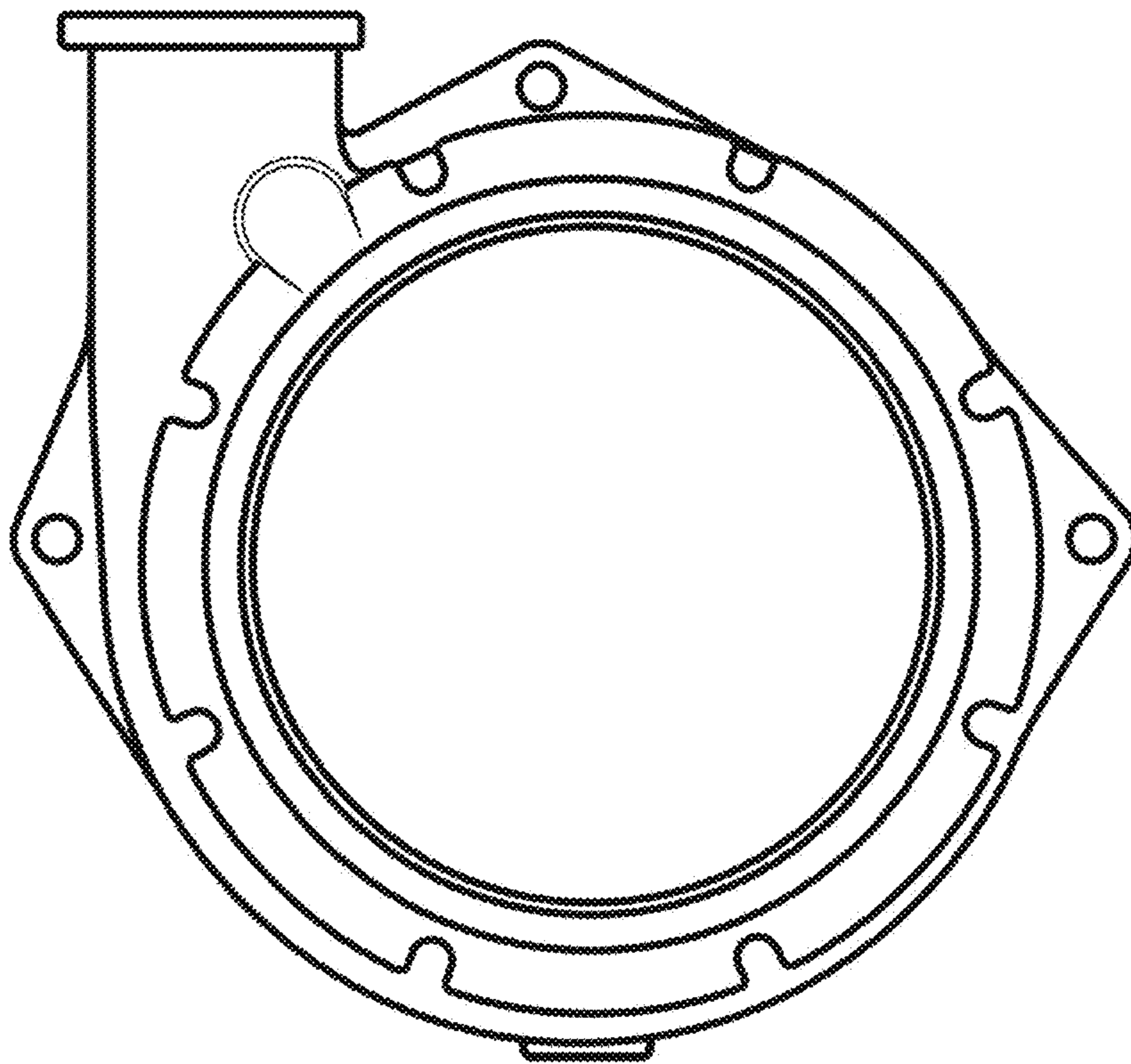


FIG. 3

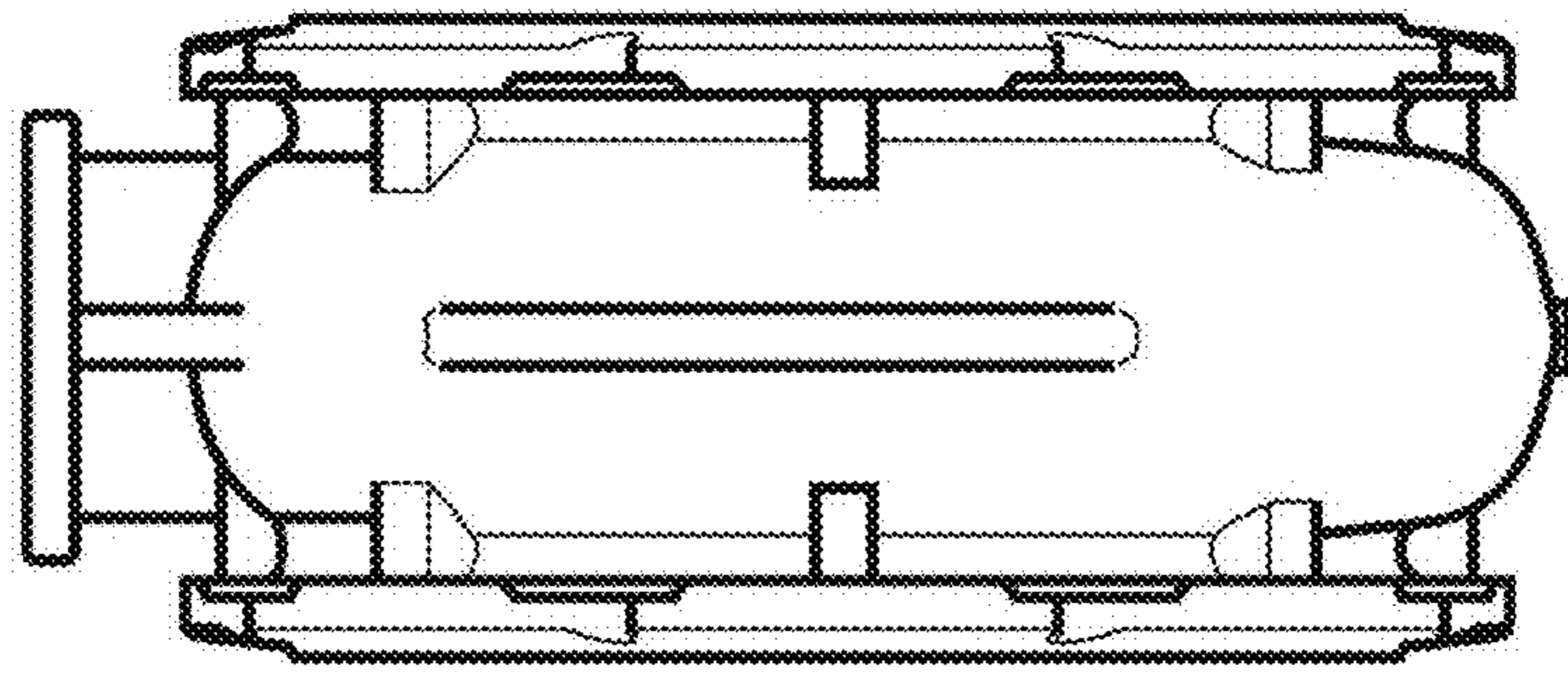


FIG. 4

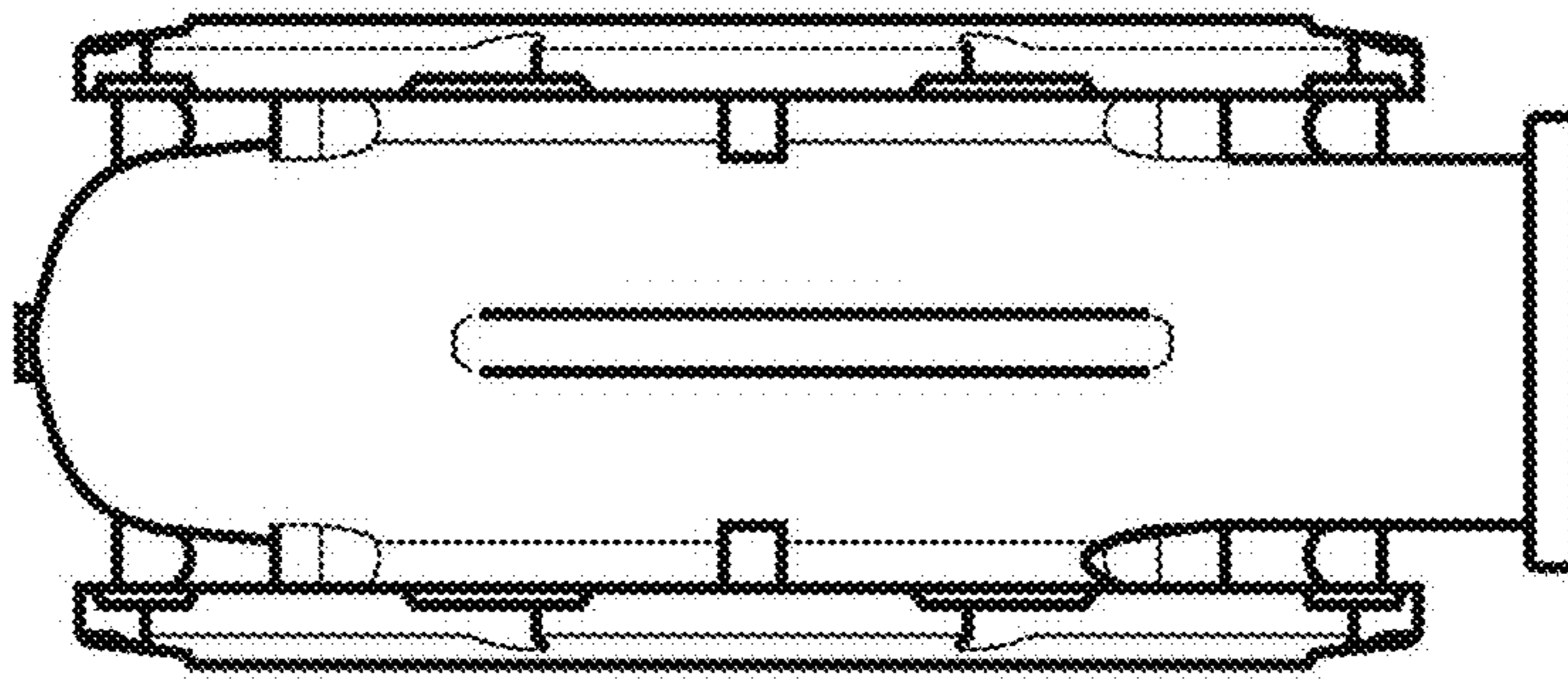


FIG. 5

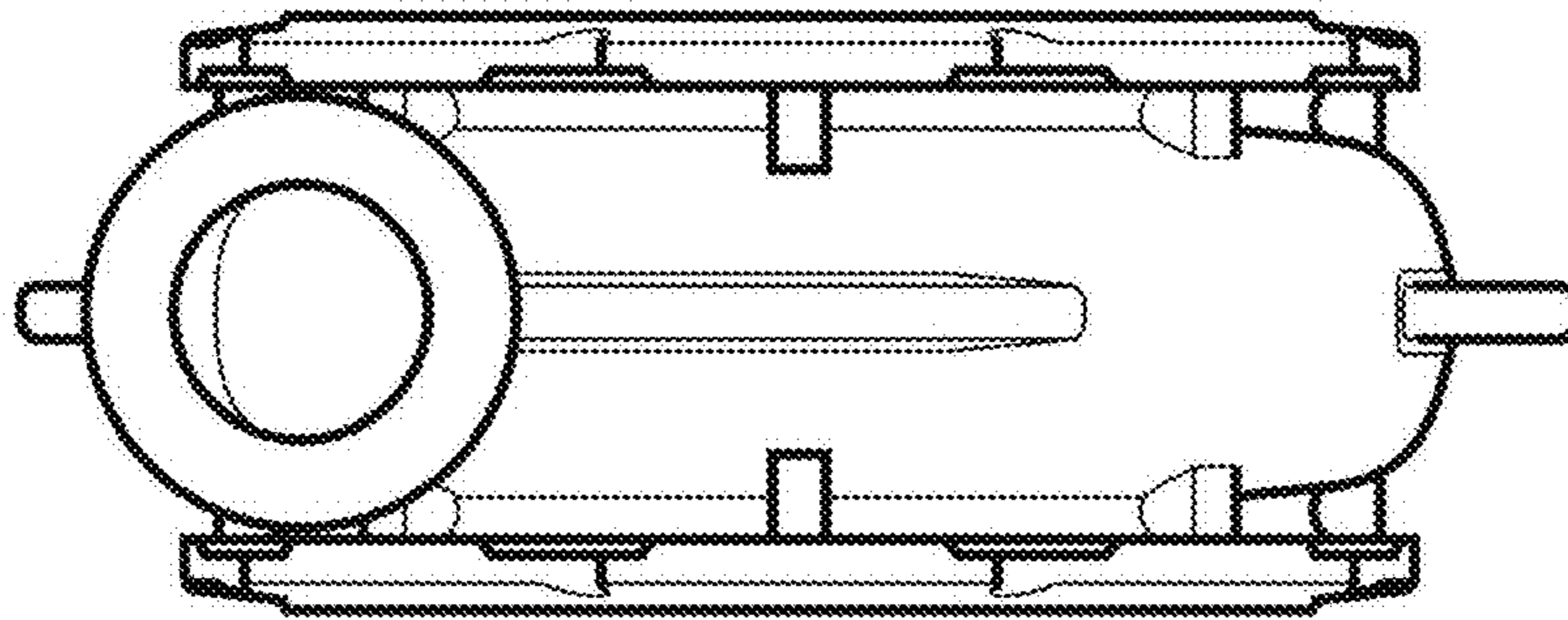


FIG. 6

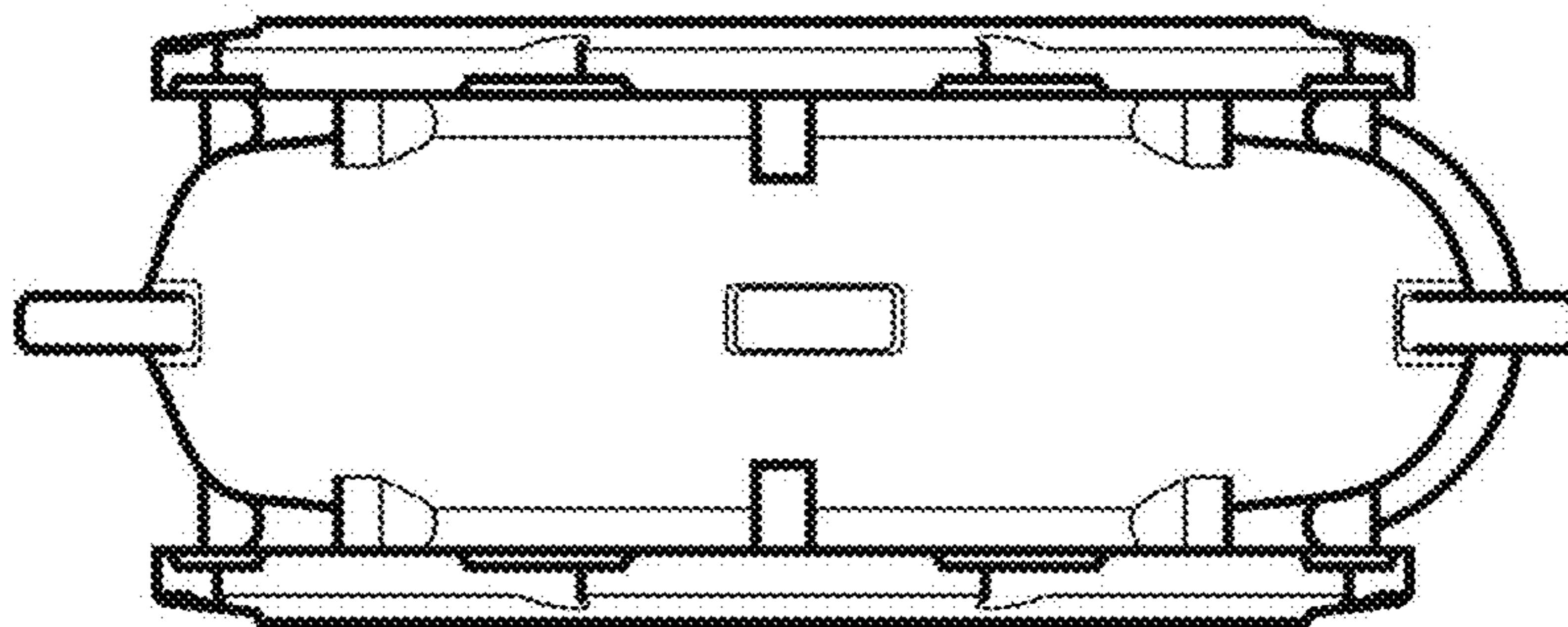


FIG. 7