



US00D837831S

(12) **United States Design Patent** (10) **Patent No.:** **US D837,831 S**  
**Turvey et al.** (45) **Date of Patent:** **\*\* \*Jan. 8, 2019**

(54) **SLIDER**  
(71) Applicant: **S.C. Johnson & Son, Inc.**, Racine, WI (US)  
(72) Inventors: **Robert R. Turvey**, Sanford, MI (US); **Lawrence C. Stanos**, Midland, MI (US); **Matthew N. Thurin**, Wauwatosa, WI (US); **Bryan L. Ackerman**, Freeland, MI (US); **John White**, Roswell, GA (US); **Christina J. Korinda**, Midland, MI (US); **Scott D. Tomatz**, Franklin, WI (US); **Jim Strieter**, Waterford, WI (US); **David P. Mather**, Milwaukee, WI (US)

(73) Assignee: **S.C. Johnson & Son, Inc.**, Racine, WI (US)

(\*) Notice: This patent is subject to a terminal disclaimer.

(\*\*) Term: **15 Years**

(21) Appl. No.: **29/549,043**

(22) Filed: **Dec. 18, 2015**

**Related U.S. Application Data**

(63) Continuation-in-part of application No. 14/744,724, filed on Jun. 19, 2015, now Pat. No. 9,516,927, and a continuation-in-part of application No. 14/744,742, filed on Jun. 19, 2015, and a continuation-in-part of application No. 14/744,556, filed on Jun. 19, 2015.

(51) **LOC (11) Cl.** ..... **15-02**

(52) **U.S. Cl.**  
USPC ..... **D15/7**

(58) **Field of Classification Search**  
USPC ..... D11/200, 201, 221; 24/381–383, 24/385–387, 414–431, 4, 412, 399; D2/641; 294/3.6; D9/434, 435

CPC ..... A44B 19/00; A44B 19/02; A44B 19/04; A44B 19/10; A44B 19/24; A44B 19/26; A44B 19/30; A44B 19/06; A44B 19/262; A44B 19/16; A44B 19/267; B65D 33/16; B65D 33/255

See application file for complete search history.

(56) **References Cited**

U.S. PATENT DOCUMENTS

D114,269 S 4/1939 Poux  
4,262,395 A \* 4/1981 Kosky ..... B65D 33/2591  
24/400

(Continued)

*Primary Examiner* — Ralf Seifert

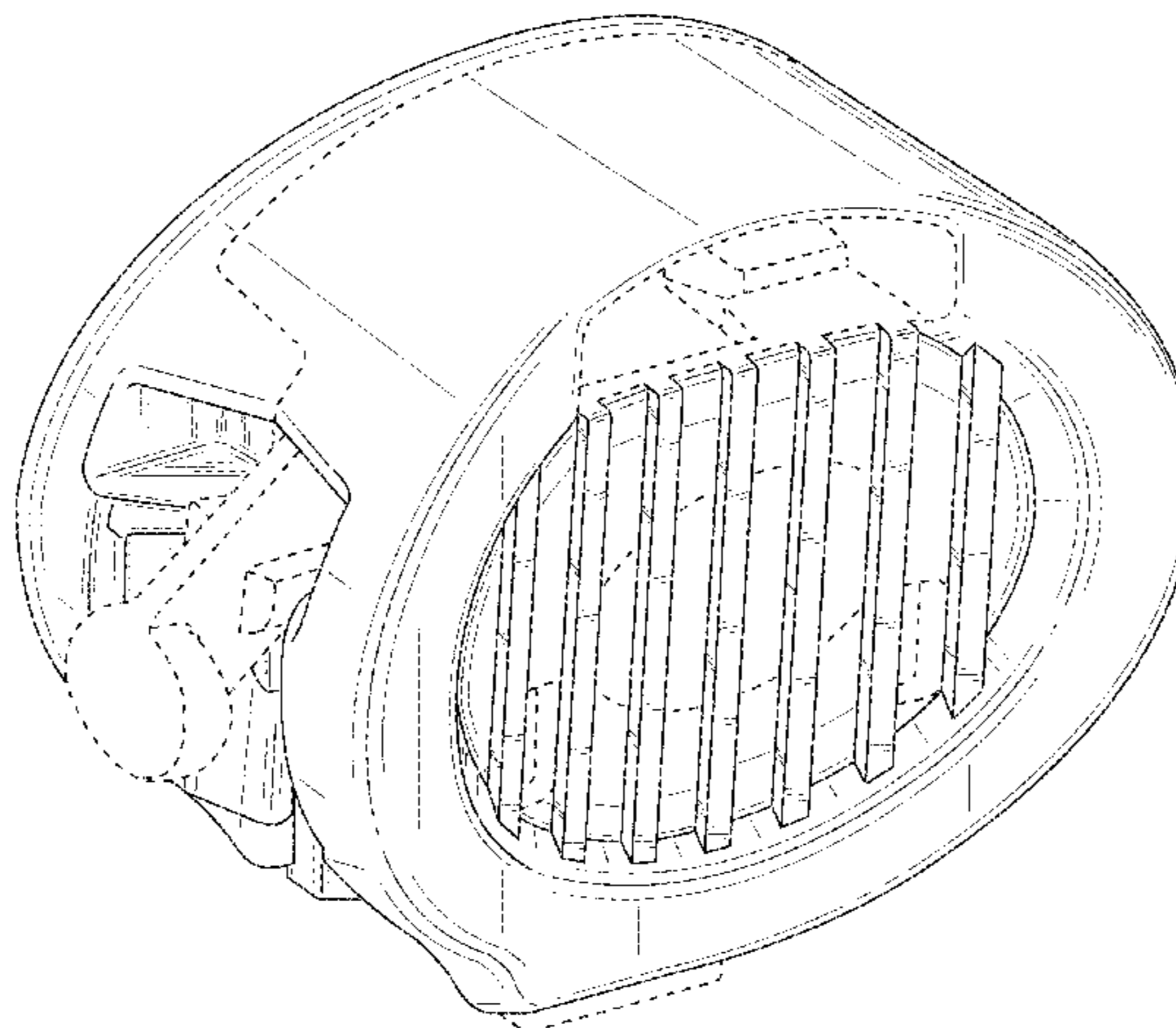
(57) **CLAIM**

The ornamental design for a slider, as shown and described.

**DESCRIPTION**

FIG. 1 is a top perspective view of a slider showing our new design;  
FIG. 2 is a front view;  
FIG. 3 is a rear view;  
FIG. 4 is a right side view;  
FIG. 5 is a left side view;  
FIG. 6 is a top view;  
FIG. 7 is a bottom view;  
FIG. 8 is a top perspective view of the slider shown in a position of use;  
FIG. 9 is a front view of FIG. 8;  
FIG. 10 is a rear view of FIG. 8;  
FIG. 11 is a right side view of FIG. 8;  
FIG. 12 is a left side view of FIG. 8;  
FIG. 13 is a top view of FIG. 8; and,  
FIG. 14 is a bottom view of FIG. 8.  
The broken lines are included for the purpose of illustrating portions of the slider that form no part of the claimed design. The dot-dash lines show unclaimed boundaries and form no part of the claim.

**1 Claim, 13 Drawing Sheets**



(56)

References Cited

U.S. PATENT DOCUMENTS

D325,547 S \* 4/1992 Saito ..... D11/220  
 5,924,173 A \* 7/1999 Dobreski ..... B65D 33/2591  
 24/387  
 5,956,815 A \* 9/1999 O'Connor ..... B65D 33/2591  
 24/30.5 R  
 D422,909 S 4/2000 Smith et al.  
 D434,345 S \* 11/2000 Tomic ..... D11/221  
 D439,866 S \* 4/2001 Savicki, Sr. .... D11/221  
 6,286,999 B1 \* 9/2001 Cappel ..... B65D 33/065  
 24/400  
 D475,655 S \* 6/2003 Savici, Sr. .... D11/221  
 D479,467 S \* 9/2003 Buchman ..... D9/434  
 6,611,996 B2 \* 9/2003 Blythe ..... A44B 19/267  
 24/399  
 6,728,997 B1 \* 5/2004 Savicki ..... B65D 33/2591  
 24/399  
 D490,706 S \* 6/2004 Smith ..... D9/434  
 D498,176 S \* 11/2004 Ichikawa ..... D11/221

6,899,461 B2 \* 5/2005 Kasai ..... B65D 33/2591  
 24/399  
 D511,480 S \* 11/2005 Buchman ..... D11/221  
 D512,909 S \* 12/2005 Buchman ..... D9/434  
 D520,870 S 5/2006 Withers  
 D525,122 S \* 7/2006 Turvey ..... D9/434  
 D531,896 S \* 11/2006 Blythe ..... D9/434  
 7,188,394 B2 \* 3/2007 Turvey ..... A44B 19/267  
 24/399  
 D544,791 S \* 6/2007 Buchman ..... D9/434  
 7,287,904 B2 \* 10/2007 Withers ..... B65D 33/2591  
 24/399  
 7,946,004 B2 \* 5/2011 Cameron ..... A44B 19/267  
 24/399  
 D639,708 S \* 6/2011 Paik ..... D11/221  
 D682,157 S \* 5/2013 Ehrhardt ..... D11/221  
 D727,205 S \* 4/2015 Howell ..... D11/221  
 9,516,927 B2 \* 12/2016 Turvey ..... A44B 19/26  
 D815,957 S \* 4/2018 Turvey ..... D9/705  
 2006/0168777 A1 8/2006 Turvey et al.

\* cited by examiner

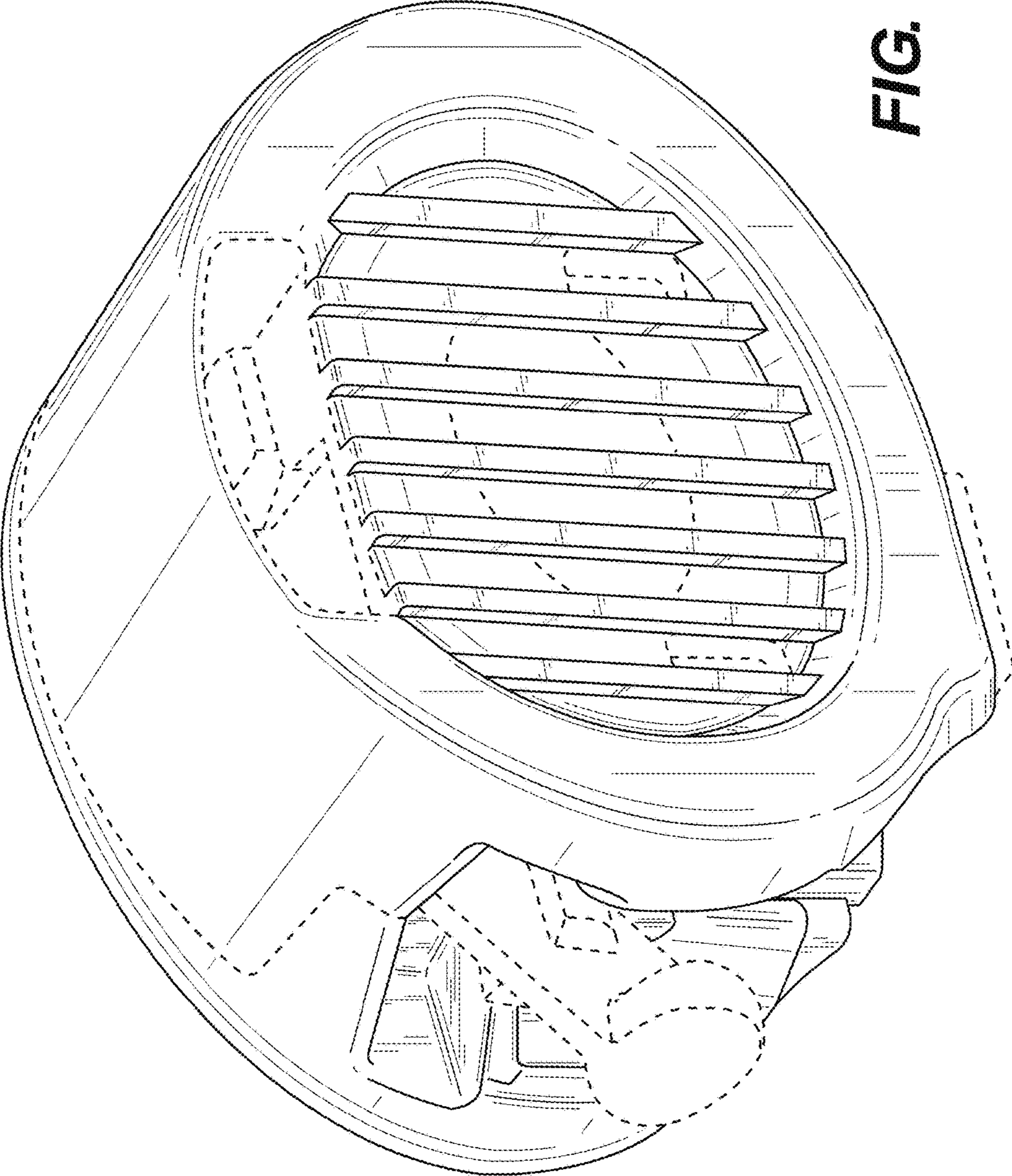
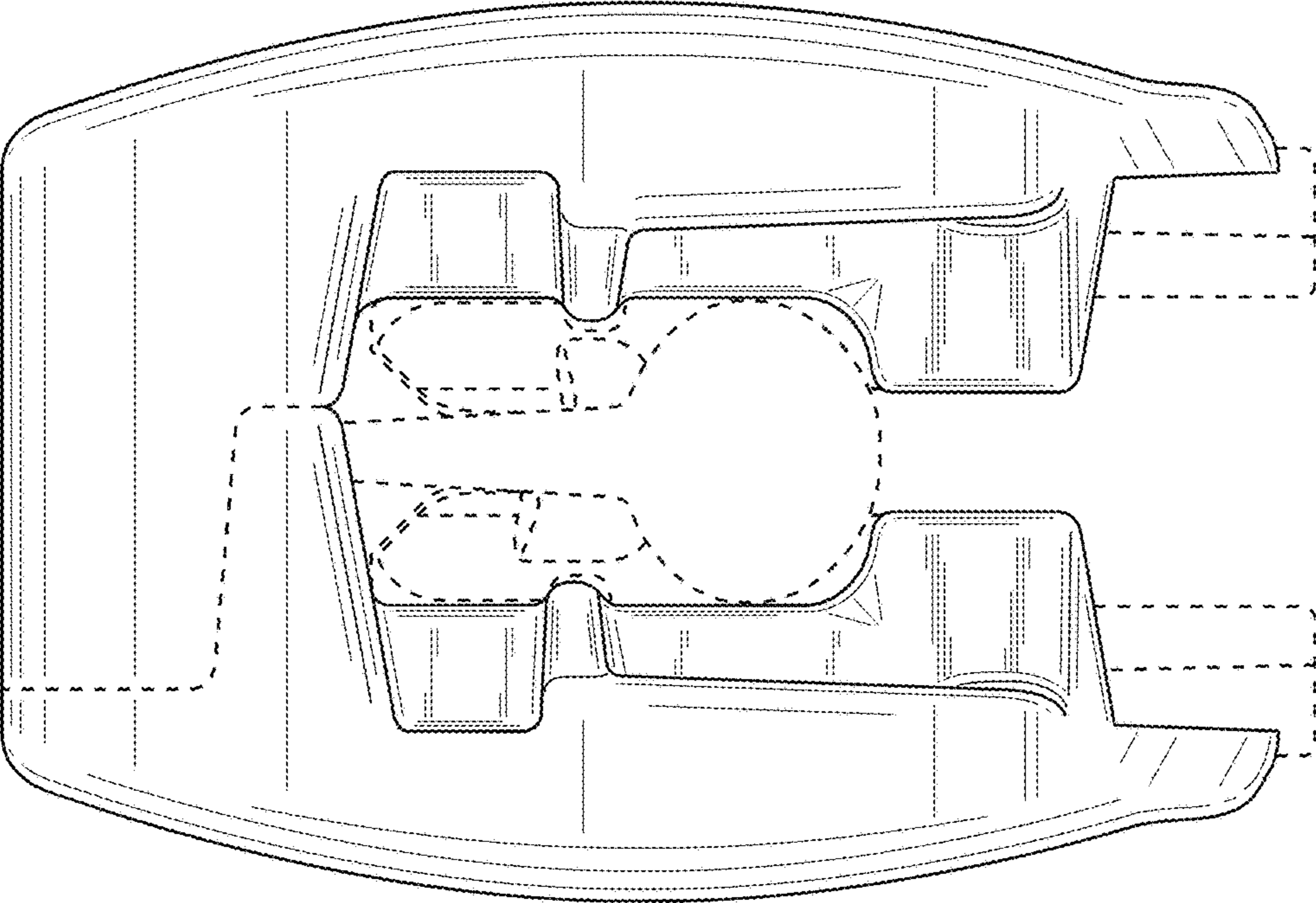
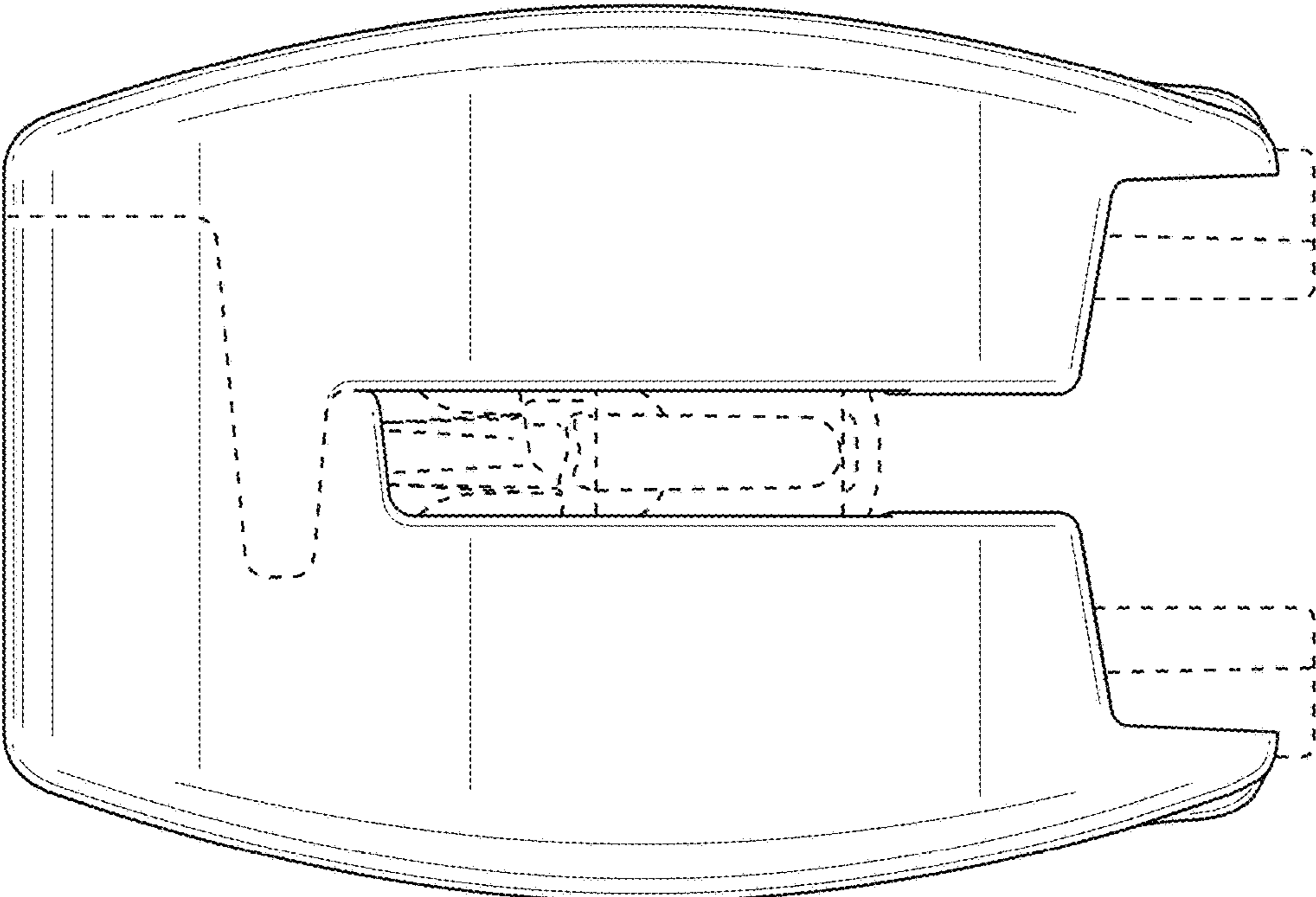


FIG. 1



**FIG. 2**



**FIG. 3**

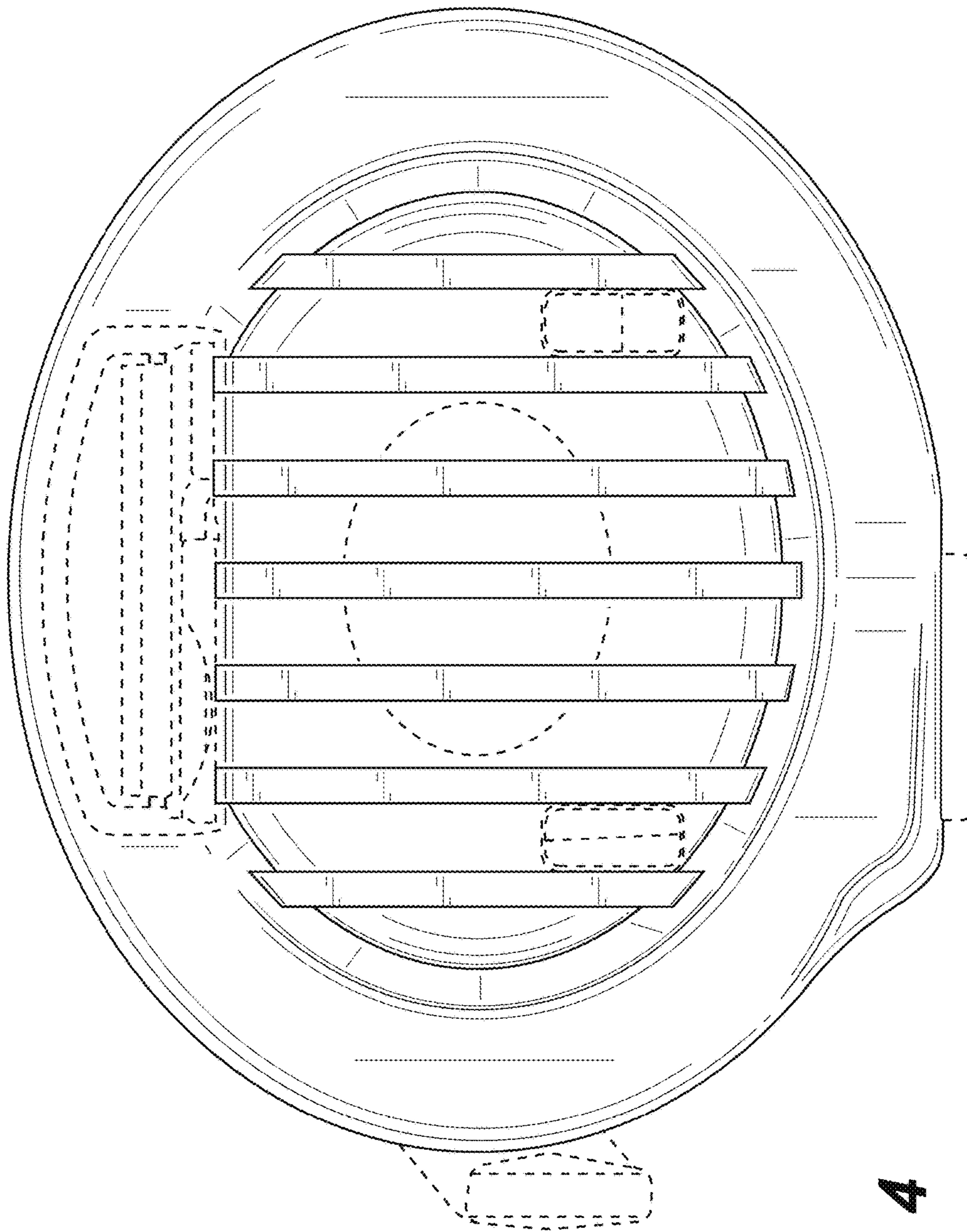


FIG. 4

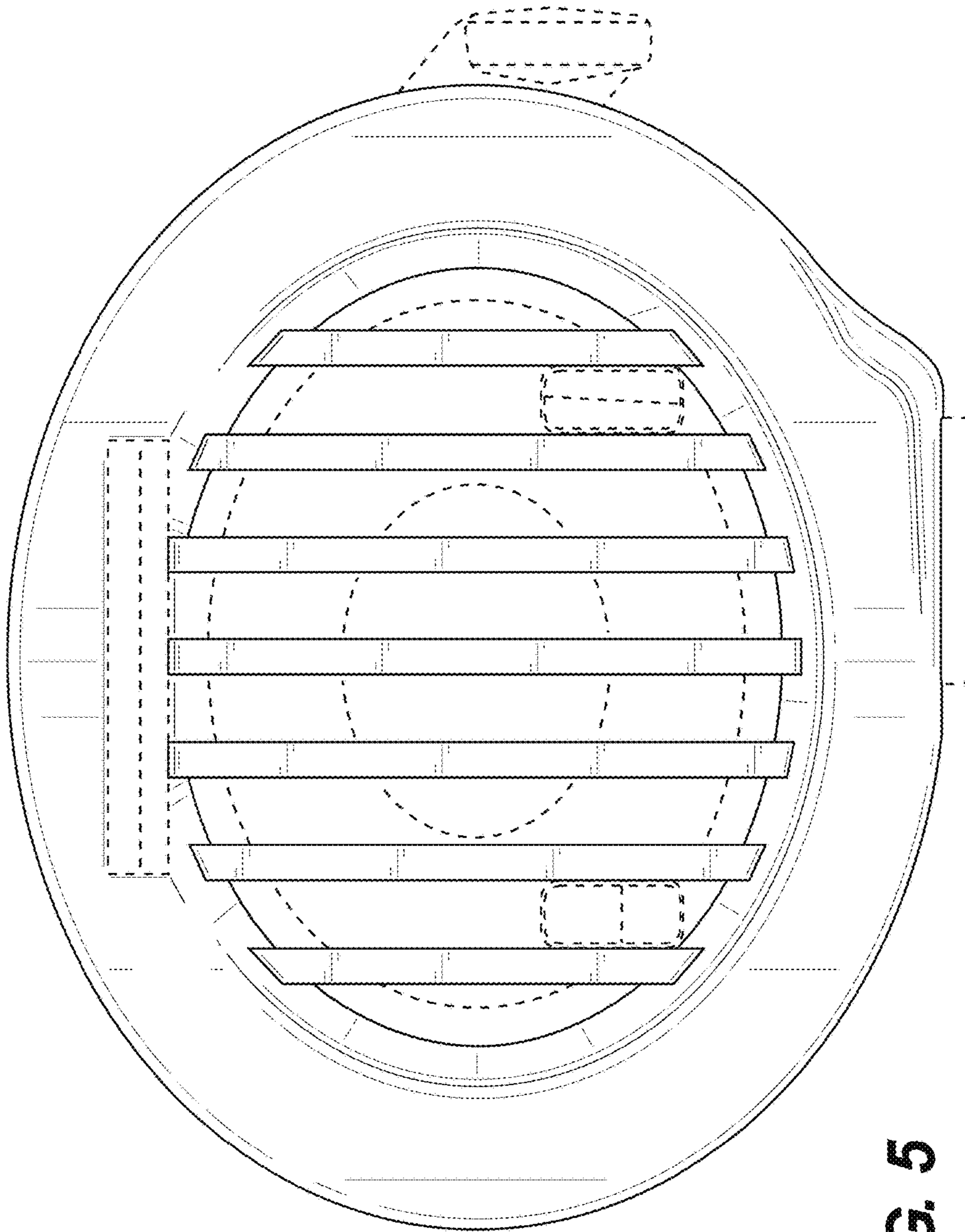
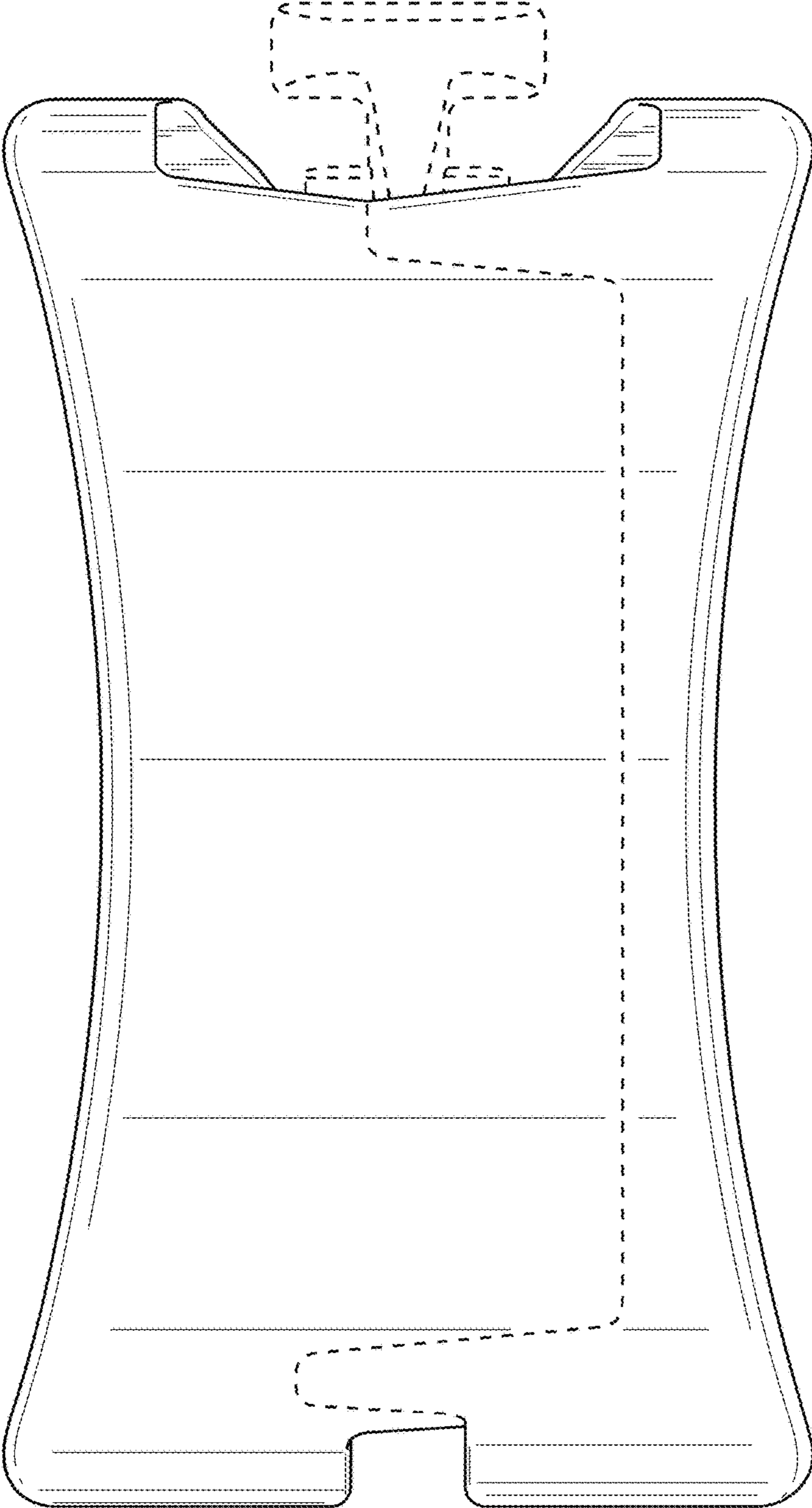
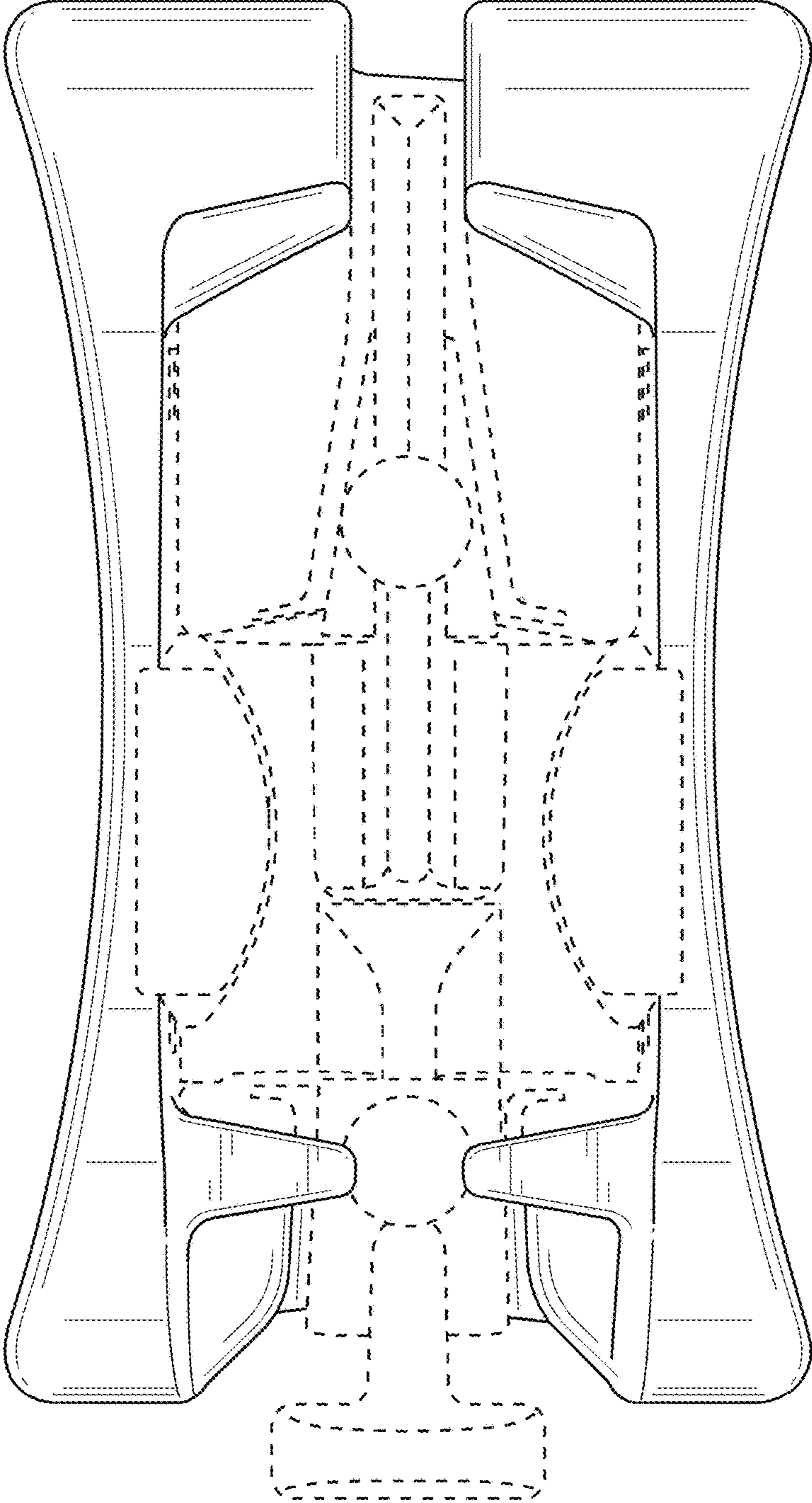


FIG. 5



**FIG. 6**





**FIG. 7**

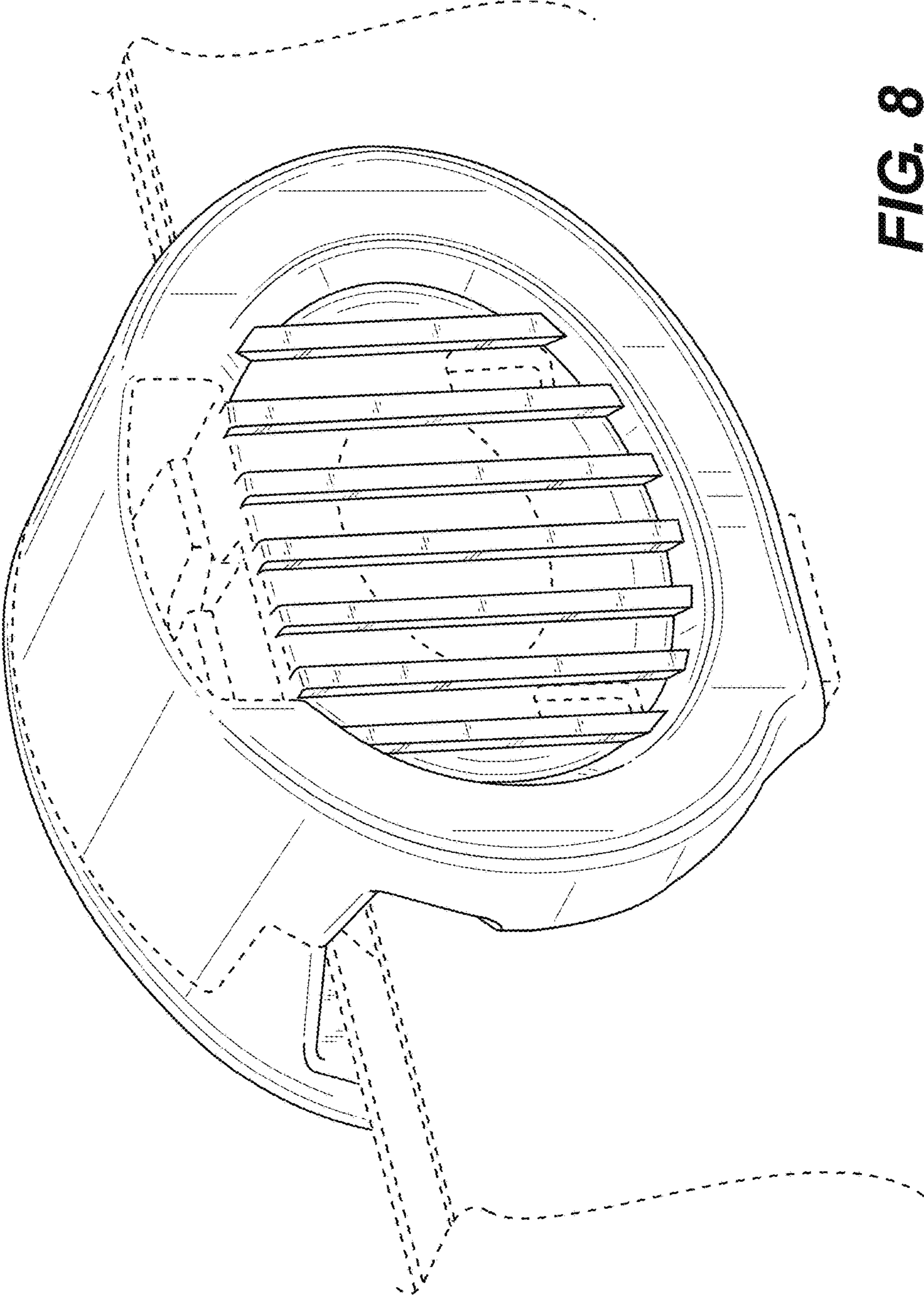
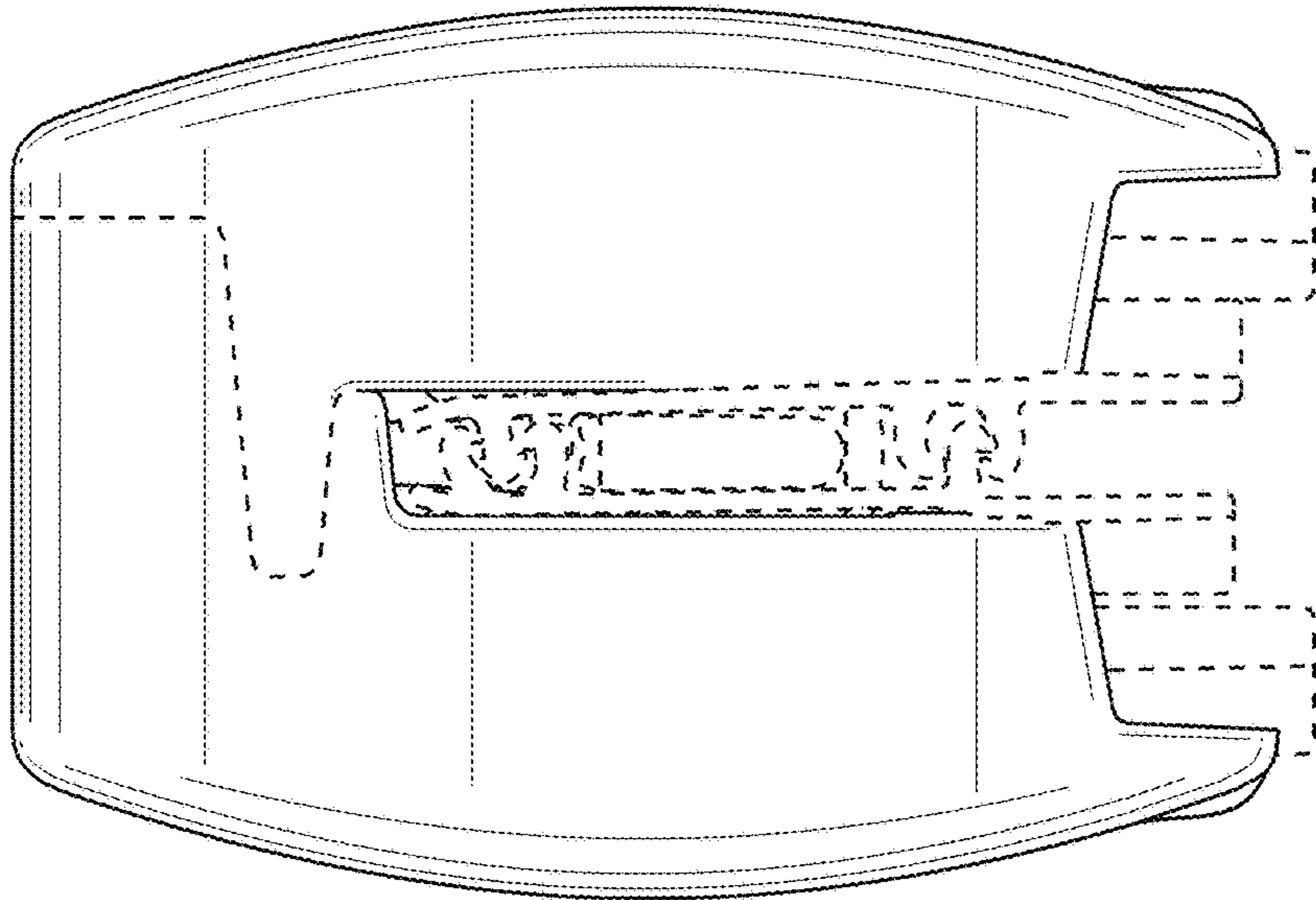
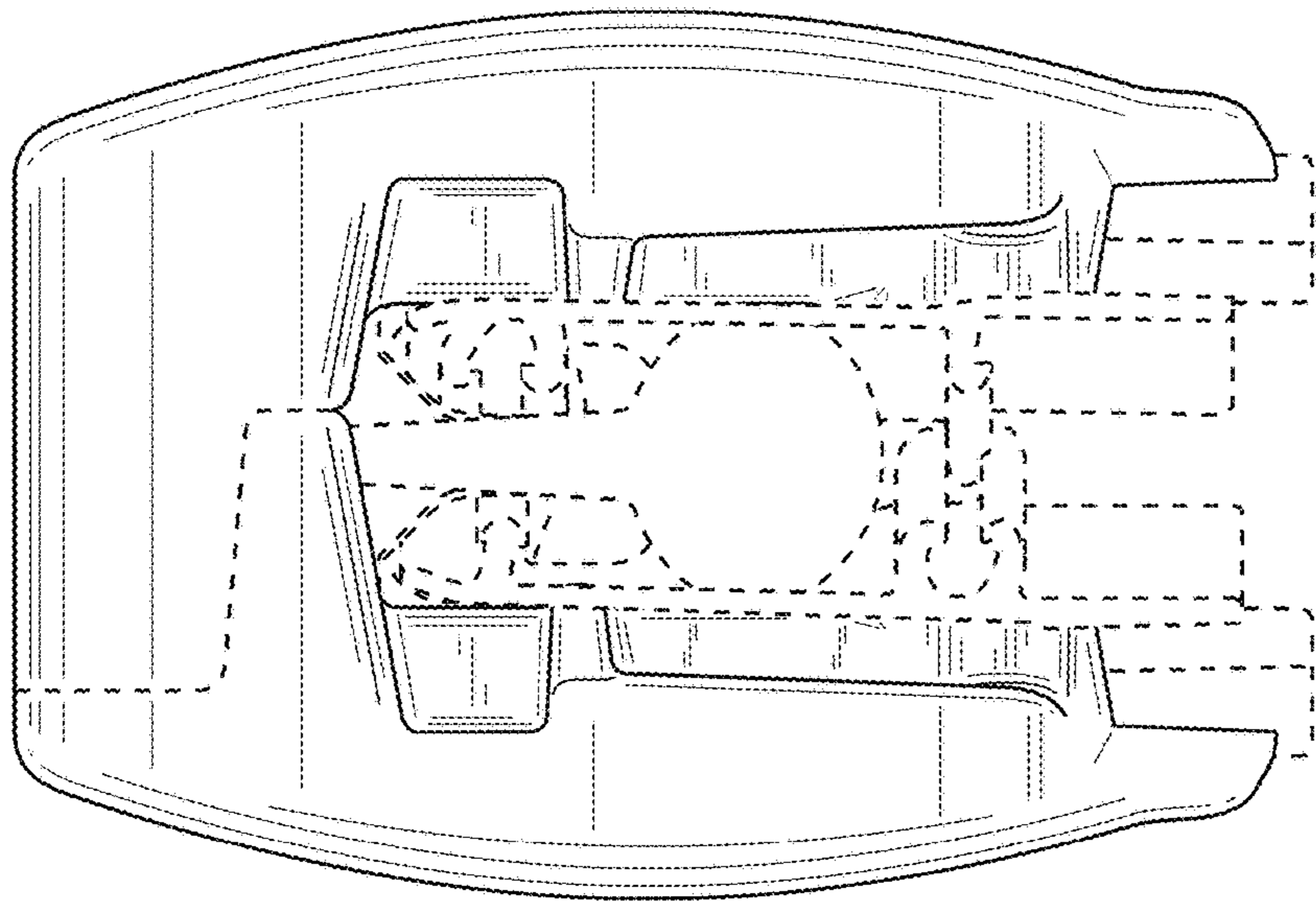


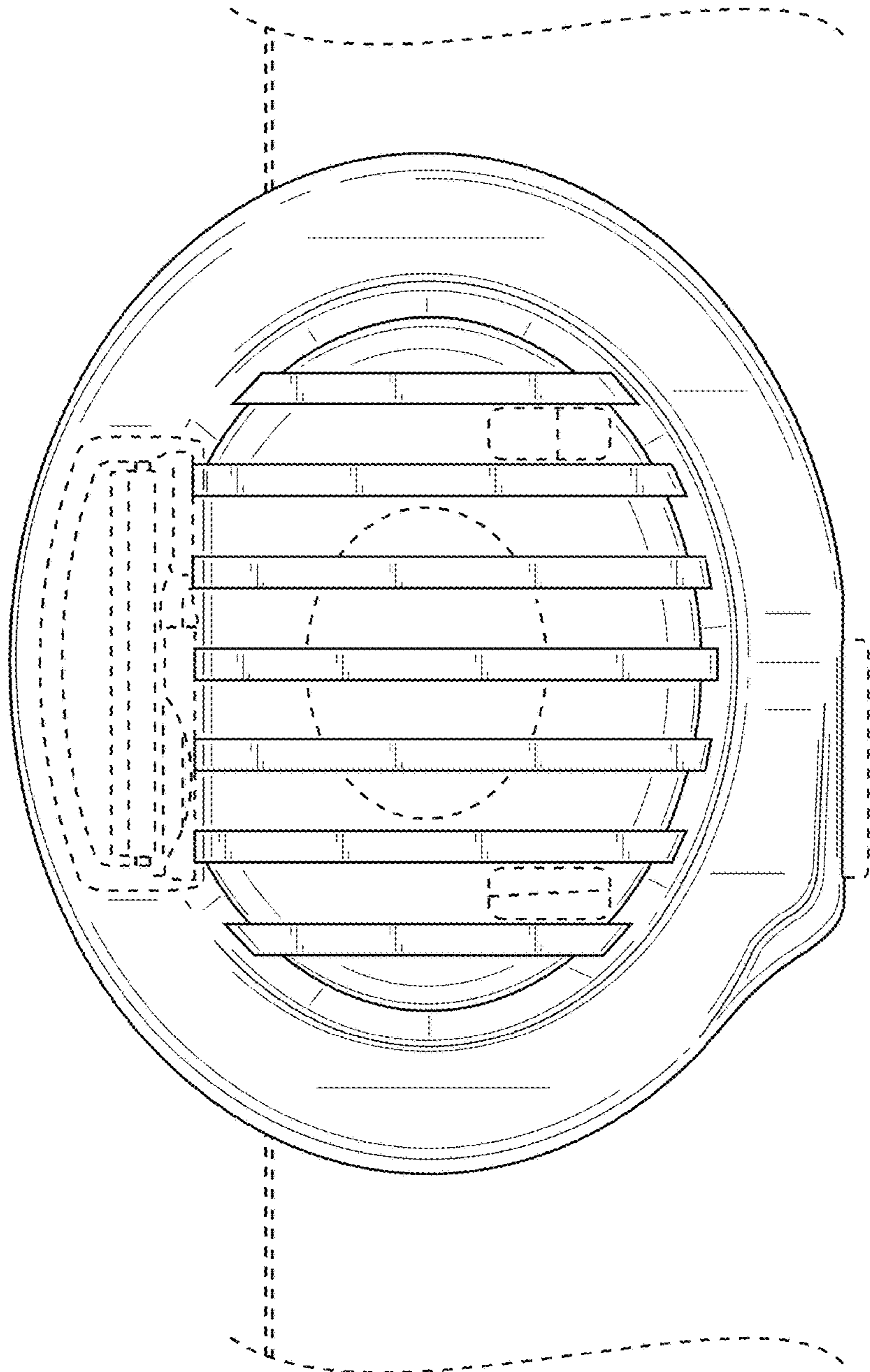
FIG. 8



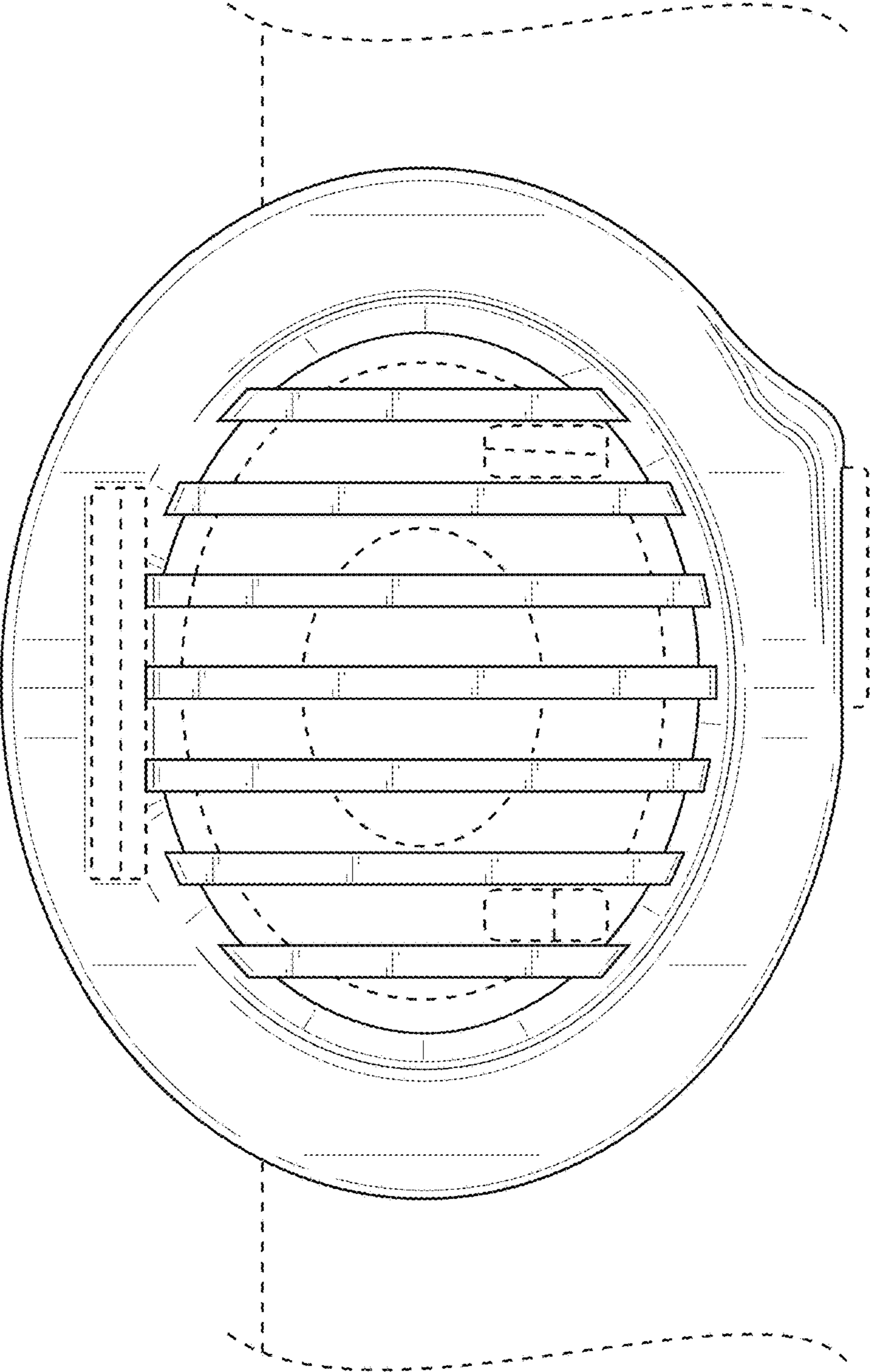
**FIG. 10**



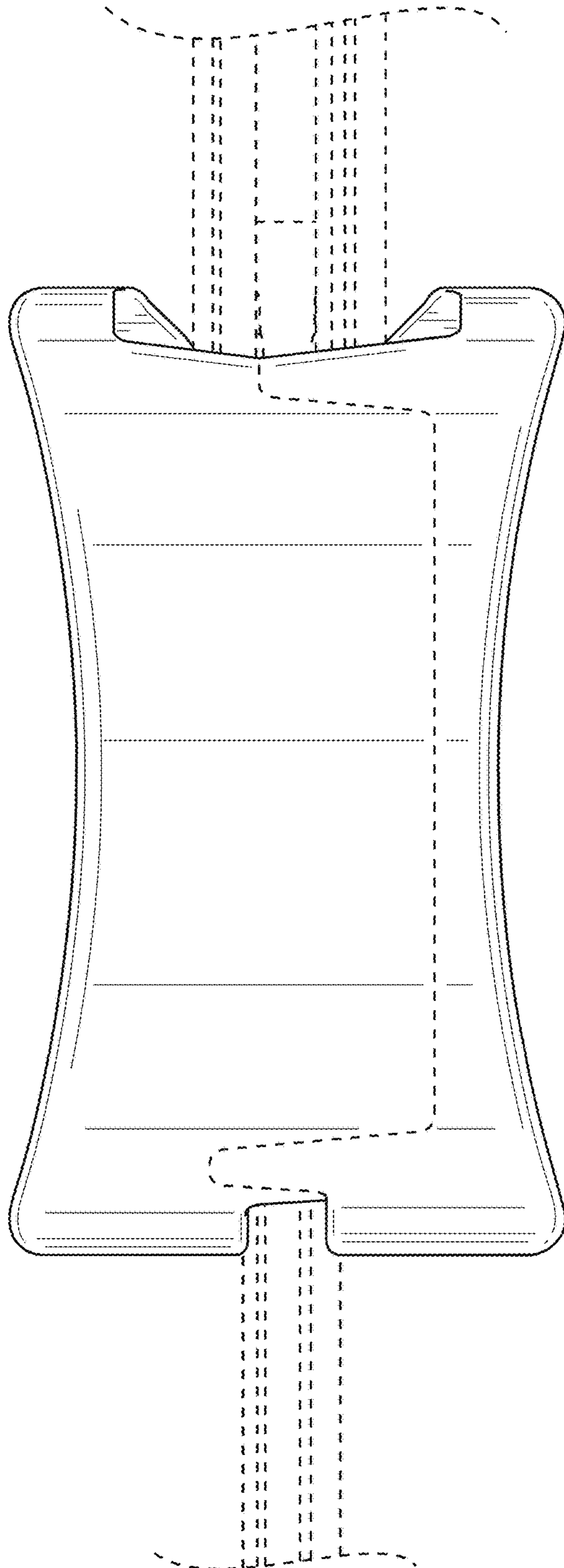
**FIG. 9**



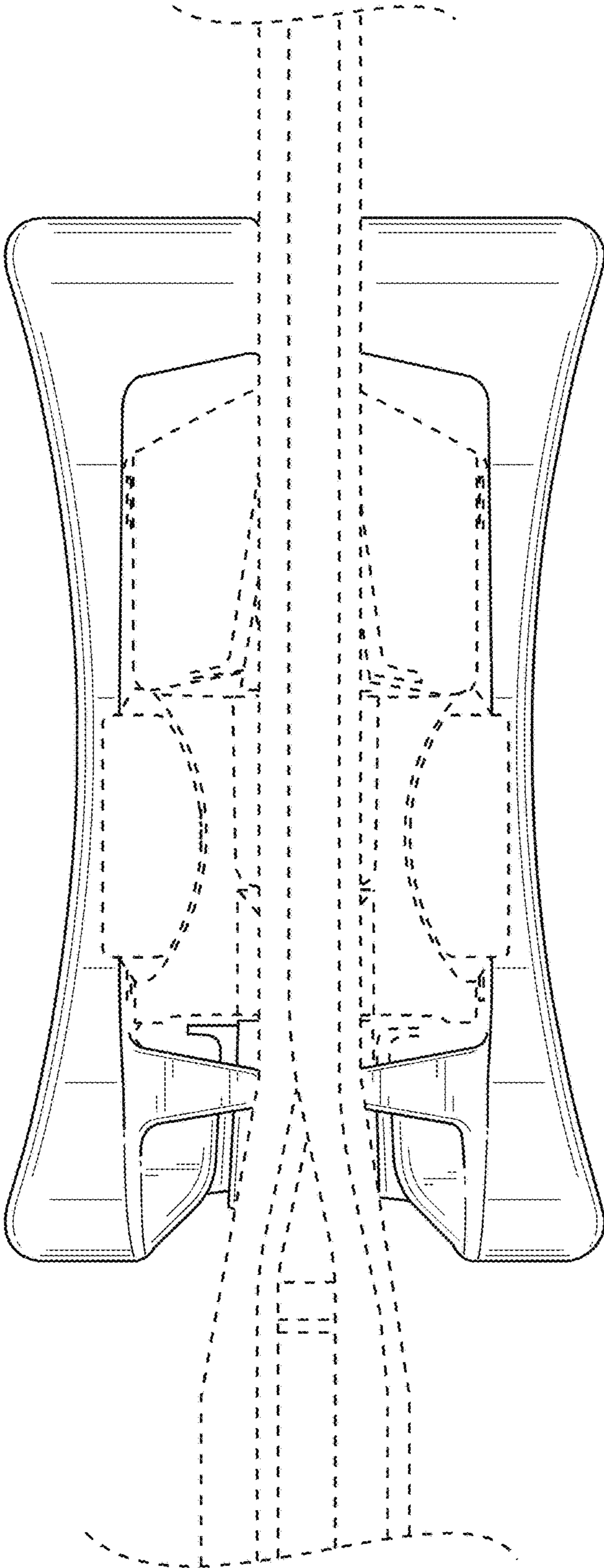
**FIG. 11**



**FIG. 12**



**FIG. 13**



**FIG. 14**