



US00D837830S

(12) **United States Design Patent**
Romani et al.

(10) **Patent No.:** **US D837,830 S**
(45) **Date of Patent:** **** Jan. 8, 2019**

(54) **DISC BRAKE**
(71) Applicant: **RE S.p.A. Controlli Industriali**, Milan (IT)
(72) Inventors: **Giuseppe Romani**, Milan (IT); **Gianluca Rapicano**, Milan (IT)
(73) Assignee: **RE S.P.A. CONTROLLI INDUSTRIALI**, Milan (IT)

D727,421 S * 4/2015 Elder D19/62
9,022,182 B2 * 5/2015 Cavagna F16D 65/128
188/218 XL
9,206,868 B2 * 12/2015 Veneziano F16D 65/12
D747,244 S * 1/2016 Nosworthy D12/180
9,249,848 B2 * 2/2016 Kokott F16D 65/123
9,758,135 B2 * 9/2017 Hanna B60T 1/065

(**) Term: **15 Years**
(21) Appl. No.: **29/561,951**
(22) Filed: **Apr. 21, 2016**

(30) **Foreign Application Priority Data**
Oct. 27, 2015 (EM) 002838276
(51) **LOC (11) Cl.** **15-01**
(52) **U.S. Cl.**
USPC **D15/5**
(58) **Field of Classification Search**
USPC D12/160, 180; D15/5
CPC F16D 65/128; F16D 65/12; F16D 65/123;
F16D 65/127; F16D 2065/1328
See application file for complete search history.

(56) **References Cited**
U.S. PATENT DOCUMENTS
7,938,378 B2 * 5/2011 Hanna F16D 65/0006
248/560
D690,634 S * 10/2013 Joseph 188/18 A
D691,528 S * 10/2013 Joseph D12/180

OTHER PUBLICATIONS

New CX Disc brochure (Datasheet 01001/EN—Feb. 2017 v.2), www.re-spa.com, dated Feb. 2017, 2 pages. Found online Apr. 17, 2018 at <http://www.re-spa.com/upload/files/ds%2001001-EN-1701-CxDiscRev2.pdf> (Year: 2017).*

* cited by examiner

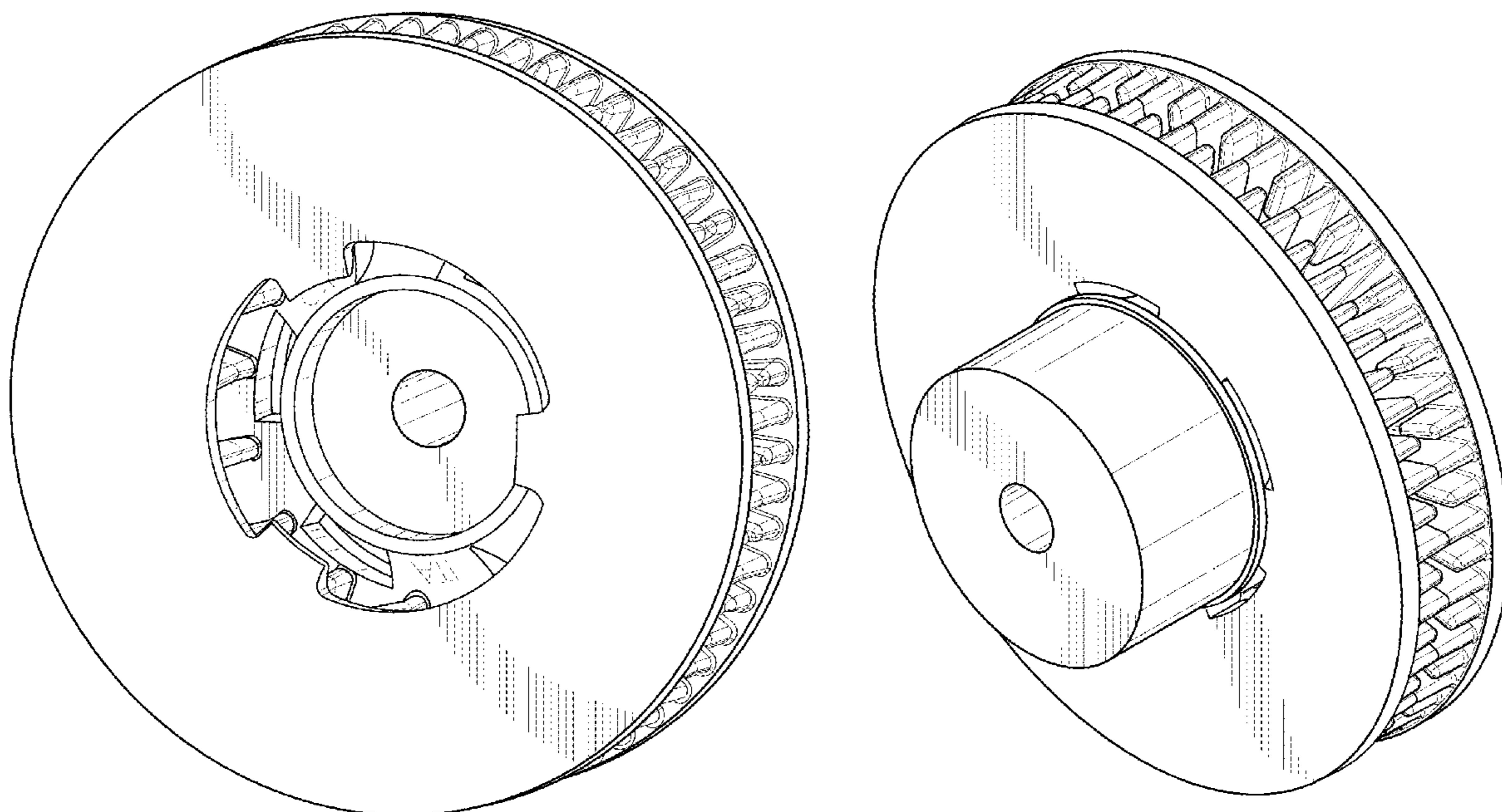
Primary Examiner — Robert M. Spear
(74) *Attorney, Agent, or Firm* — Nixon & Vanderhye P.C.

(57) **CLAIM**
The ornamental design for a disc brake, as shown and described.

DESCRIPTION

FIG. 1 is a perspective view of the front and one side of the disc brake showing our new design;
FIG. 2 is a perspective view of the rear and other side thereof;
FIG. 3 is an elevational view of the one side thereof;
FIG. 4 is an elevational view of the other side thereof;
FIG. 5 is a top plan view thereof, the bottom plan view being the same as the top plan view;
FIG. 6 is a front elevational view thereof; and,
FIG. 7 is a rear elevational view thereof.

1 Claim, 7 Drawing Sheets



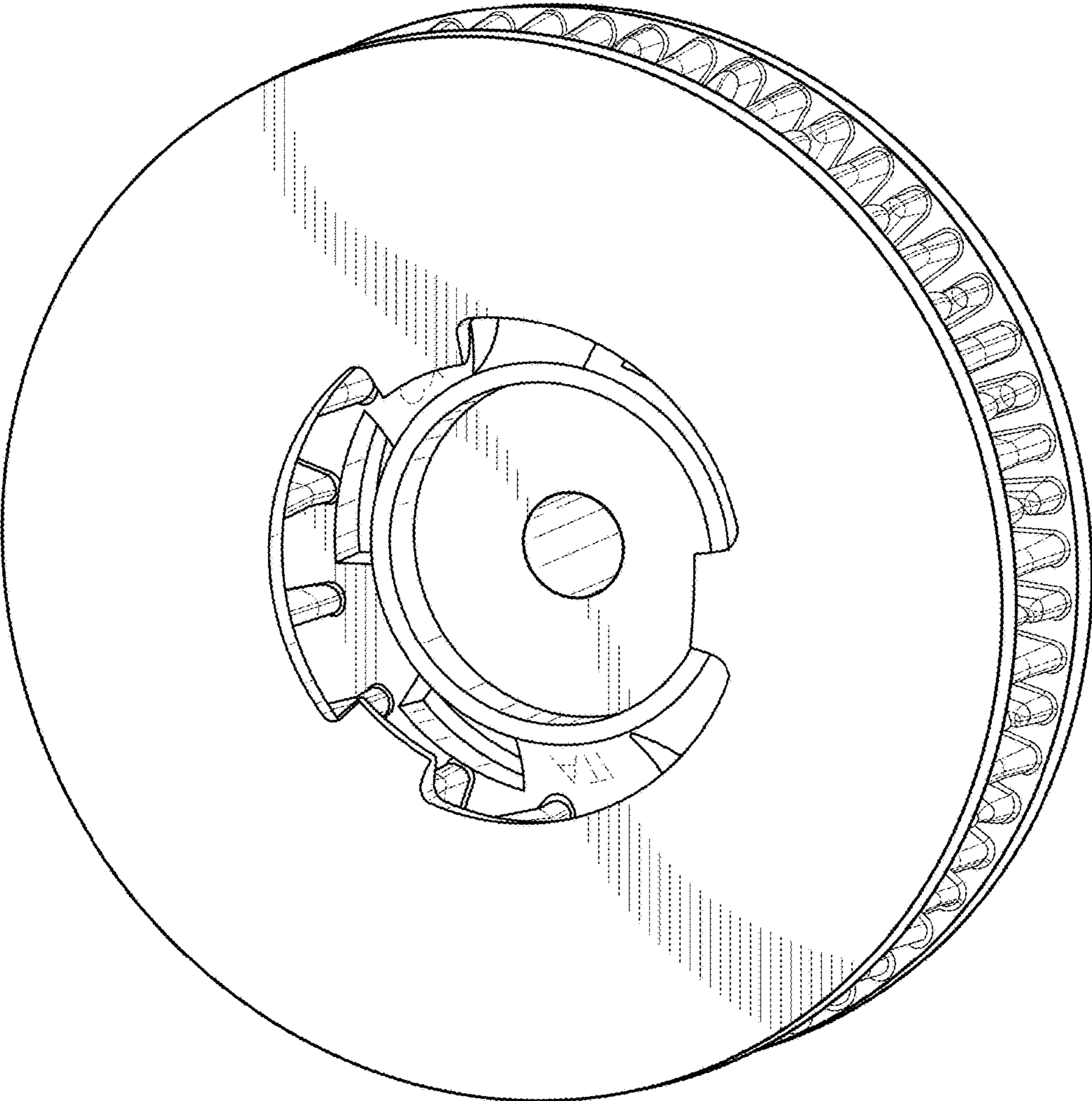


FIG. 1

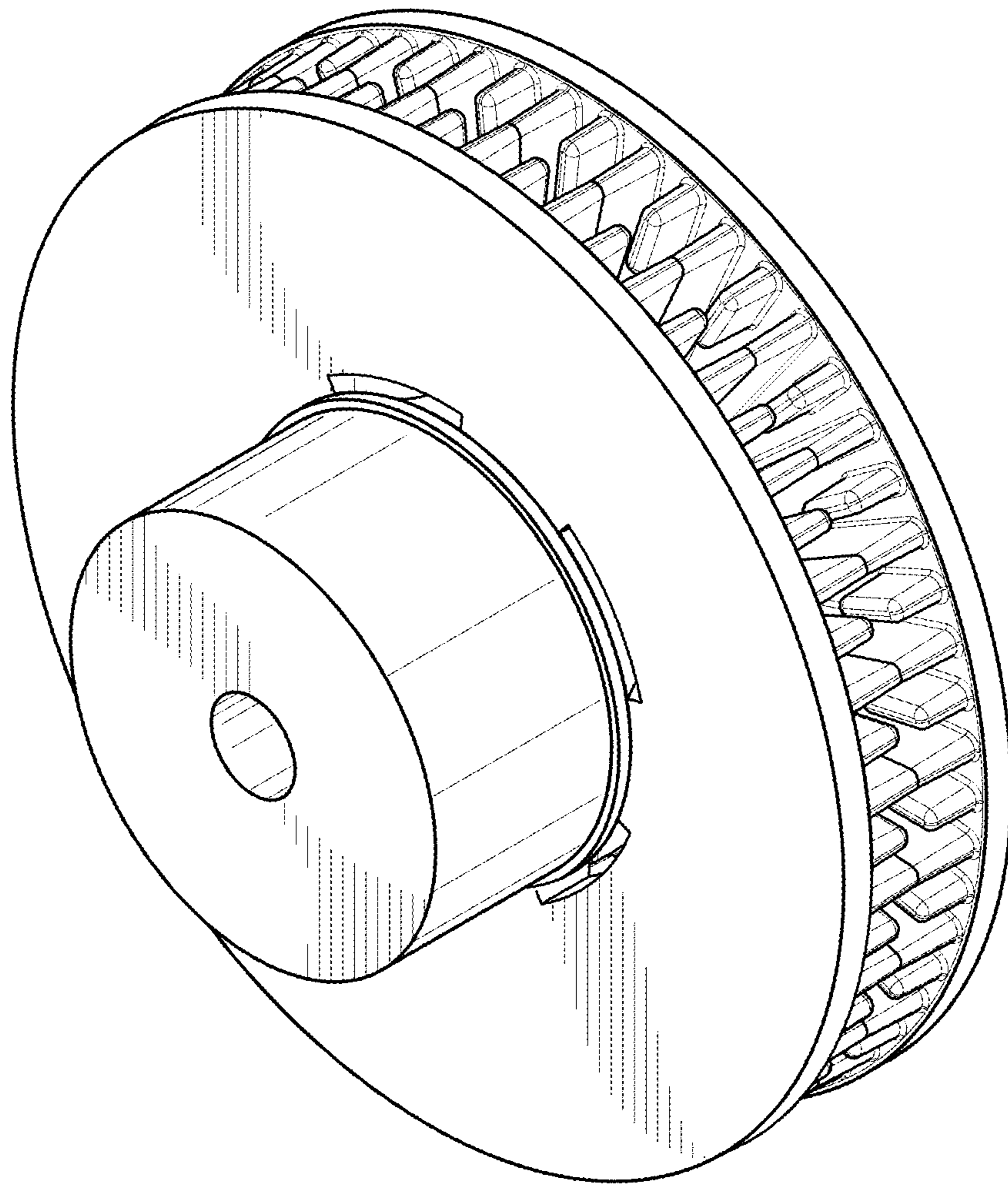


FIG. 2

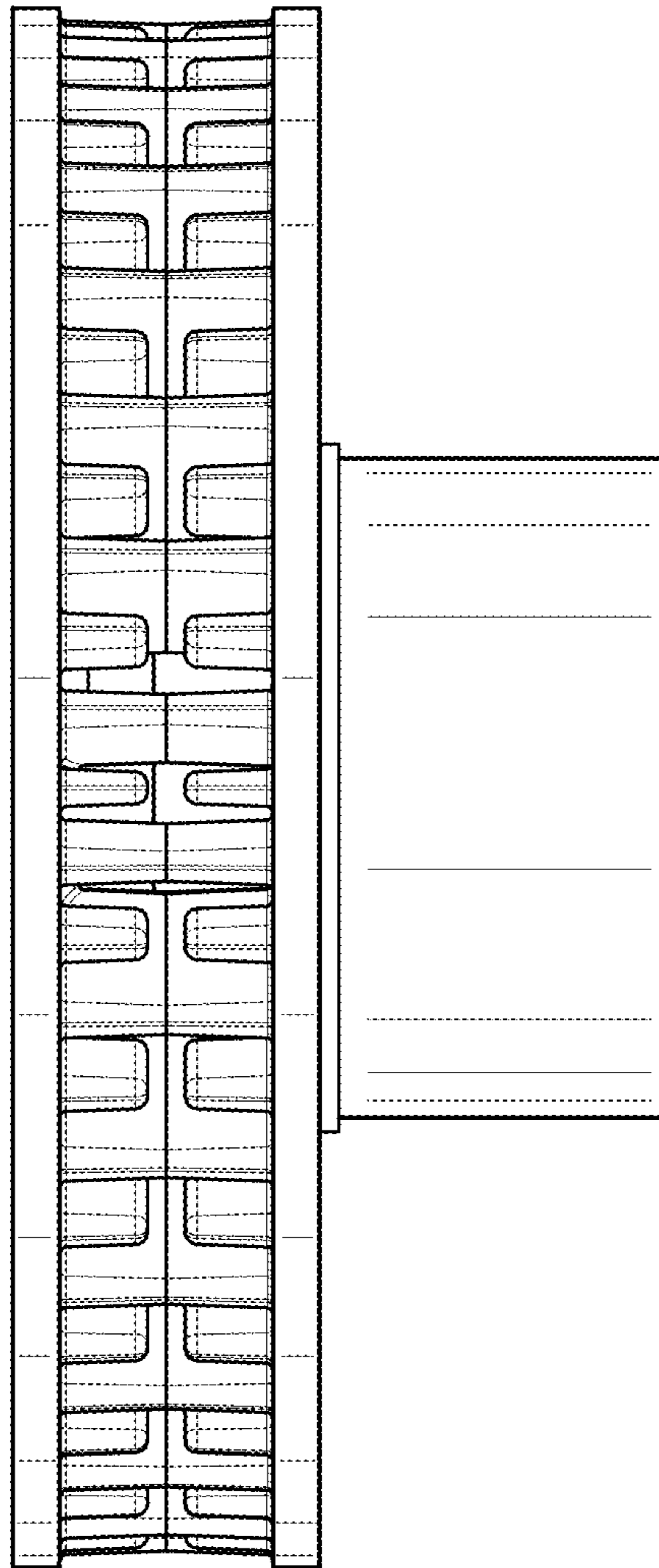


FIG. 3

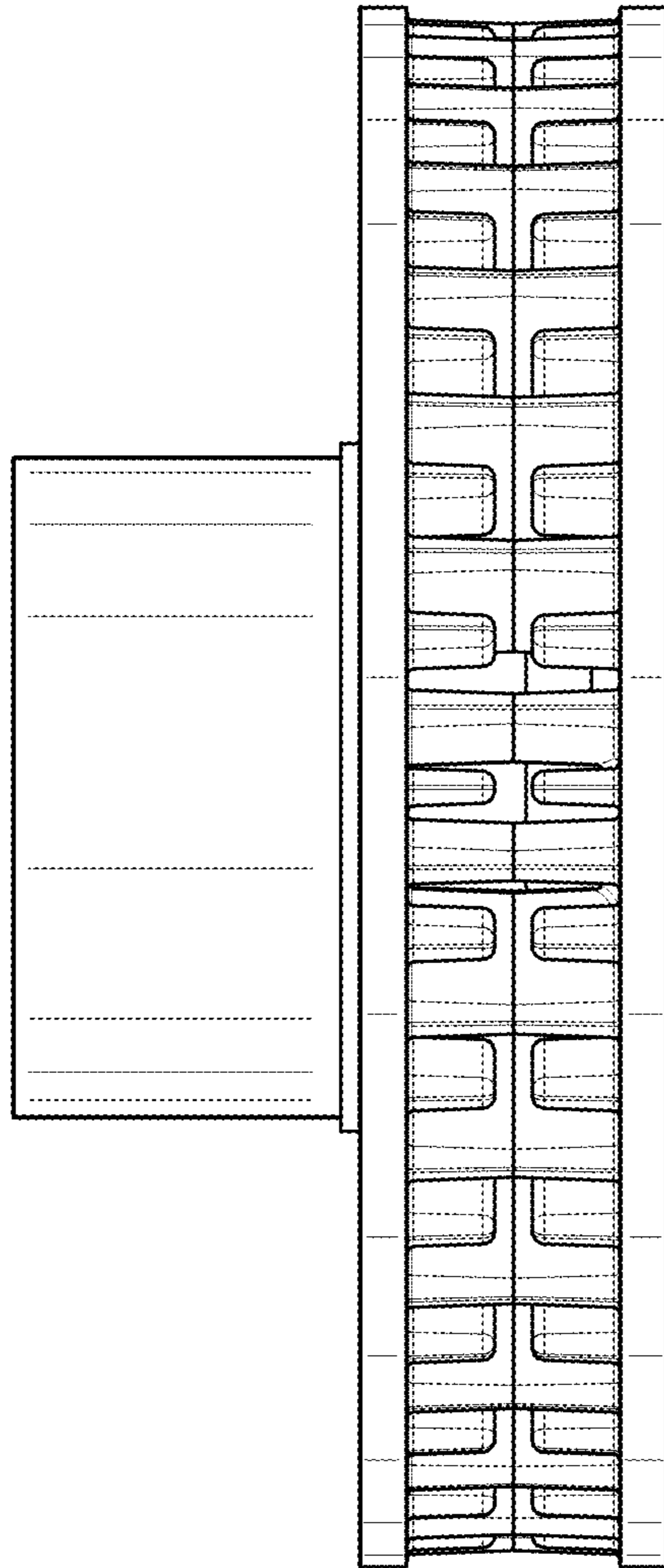


FIG. 4

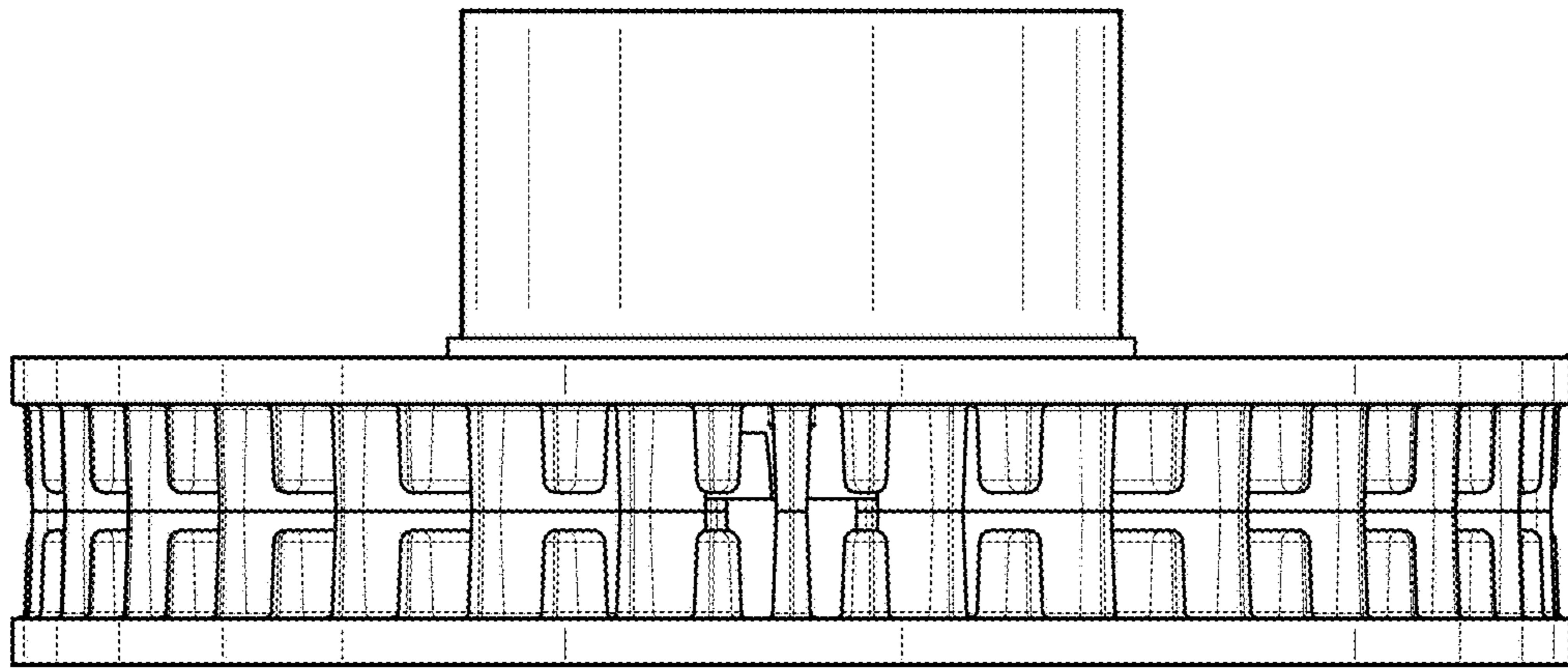


FIG. 5

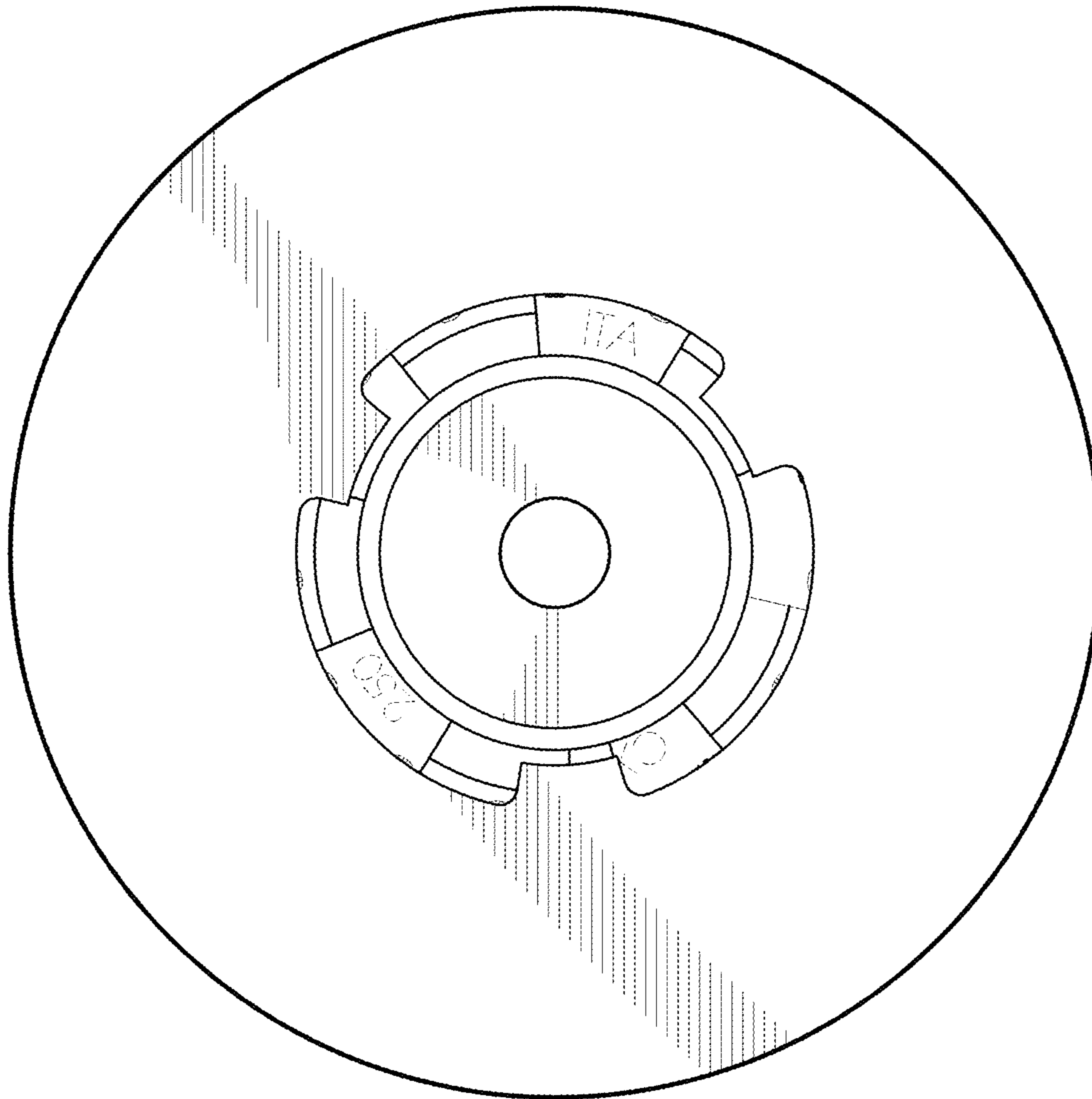


FIG. 6

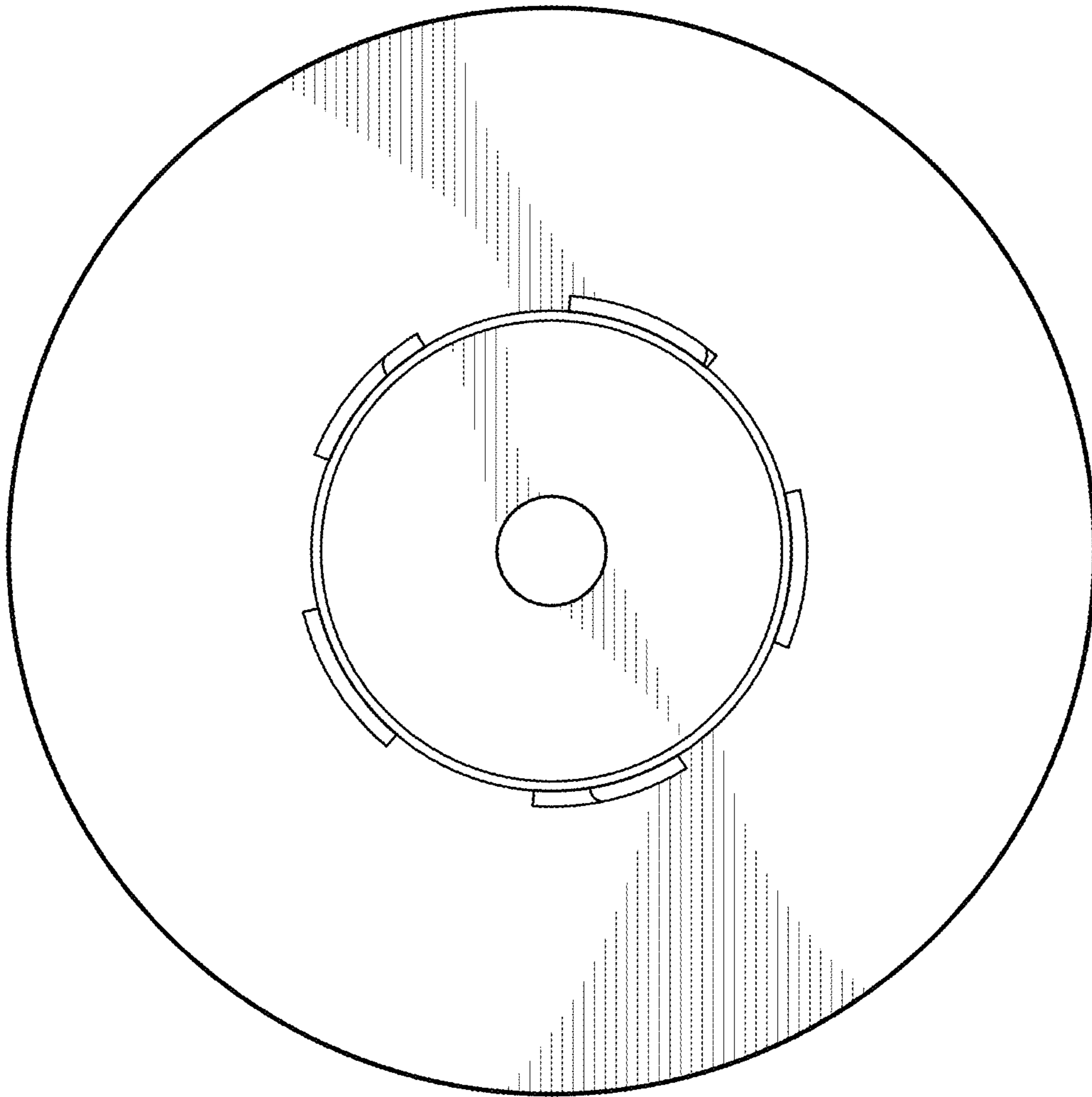


FIG. 7