



US00D837824S

(12) **United States Design Patent**
Itano et al.

(10) **Patent No.:** **US D837,824 S**
(45) **Date of Patent:** **** Jan. 8, 2019**

(54) **DISPLAY SCREEN WITH AN ANIMATED GRAPHICAL USER INTERFACE**

(71) Applicant: **FUJITSU LIMITED**, Kanagawa-Ken (JP)

(72) Inventors: **Ichiro Itano**, Kawasaki (JP); **Takuya Masuda**, Kawasaki (JP)

(73) Assignee: **FUJITSU LIMITED**, Kawasaki (JP)

(**) Term: **15 Years**

(21) Appl. No.: **35/503,976**

(22) Filed: **May 12, 2017**

(80) **Hague Agreement Data**

Int. Filing Date: **May 12, 2017**

Int. Reg. No.: **DM/097480**

Int. Reg. Date: **May 12, 2017**

Int. Reg. Pub. Date: **Nov. 17, 2017**

(51) **LOC (11) Cl.** **14-04**

(52) **U.S. Cl.**
USPC **D14/488**

(58) **Field of Classification Search**
USPC D14/485-495

(Continued)

(56) **References Cited**

U.S. PATENT DOCUMENTS

D608,786 S * 1/2010 Jasinski D14/485

D675,637 S * 2/2013 Willard D14/486

(Continued)

OTHER PUBLICATIONS

Fujitsu Judging Support System for Artistic Gymnastics, posted at Yenra, posting date Oct. 8, 2017. [Site visited Aug. 21, 2018] URL: <<https://yenra.com/fujitsu-judging-support-system-artistic-gymnastics/>> (Year: 2017).*

(Continued)

Primary Examiner — George D. Kirschbaum

Assistant Examiner — Kathleen L. Jones

(74) *Attorney, Agent, or Firm* — Oblon, McClelland, Maier & Neustadt, L.L.P.

(57) **CLAIM**

The ornamental design for a display screen with an animated graphical user interface, as shown and described.

DESCRIPTION

1. Display screen with an animated graphical user interface

1.1: 1st image in the changing state

1.2: 2nd image in the changing state

1.3: 3rd image in the changing state

1.4: 4th image in the changing state

1.5: 5th image in the changing state

1.6: 6th image in the changing state

1.7: 7th image in the changing state

1.8: 8th image in the changing state

1.9: 9th image in the changing state

1.10: 10th image in the changing state

1.11: 11th image in the changing state

1.12: 12th image in the changing state

1.13: 13th image in the changing state

1.14: 14th image in the changing state

1.15: 15th image in the changing state

1.16: 16th image in the changing state

1.17: 17th image in the changing state

1.18: 18th image in the changing state

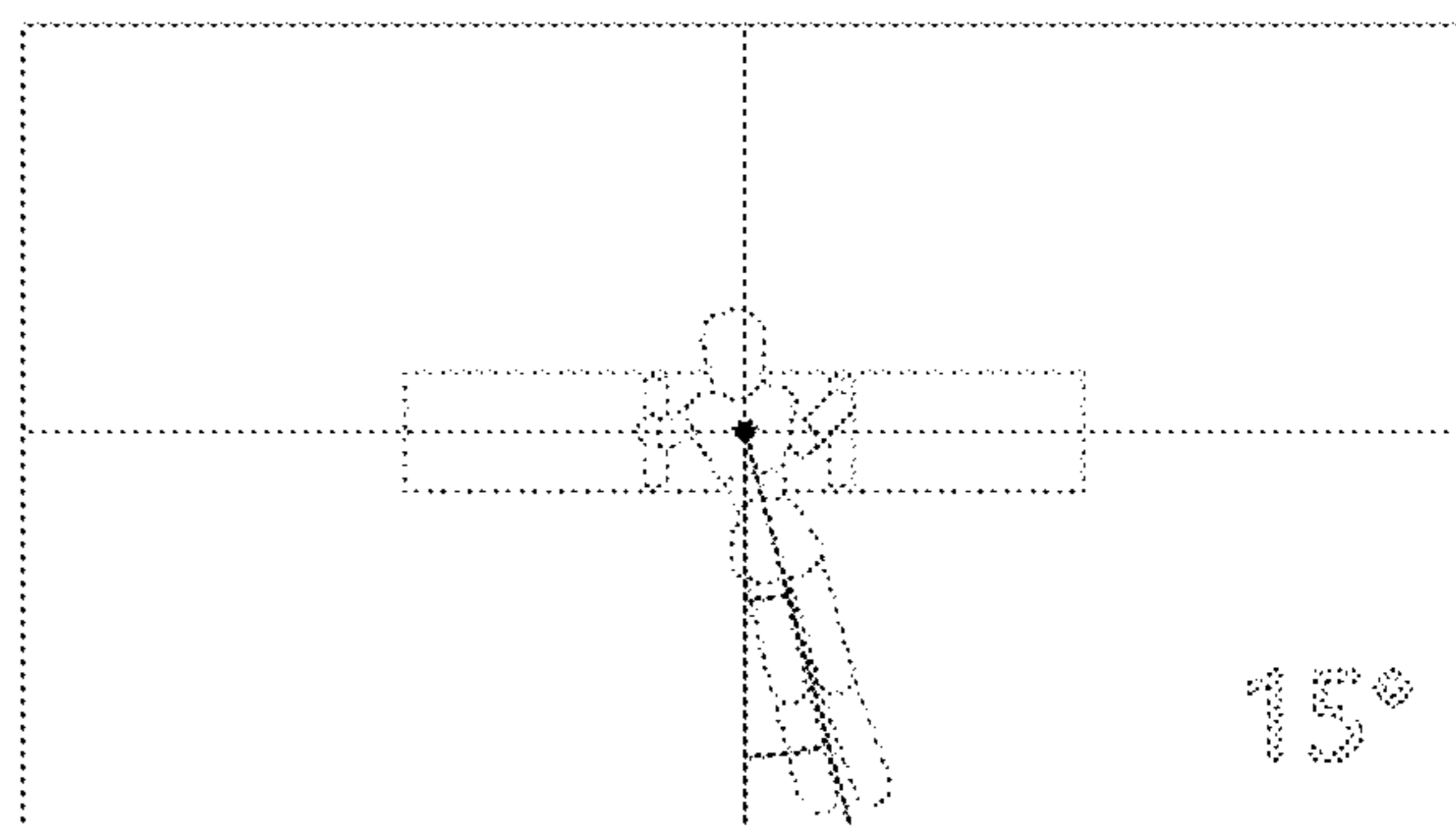
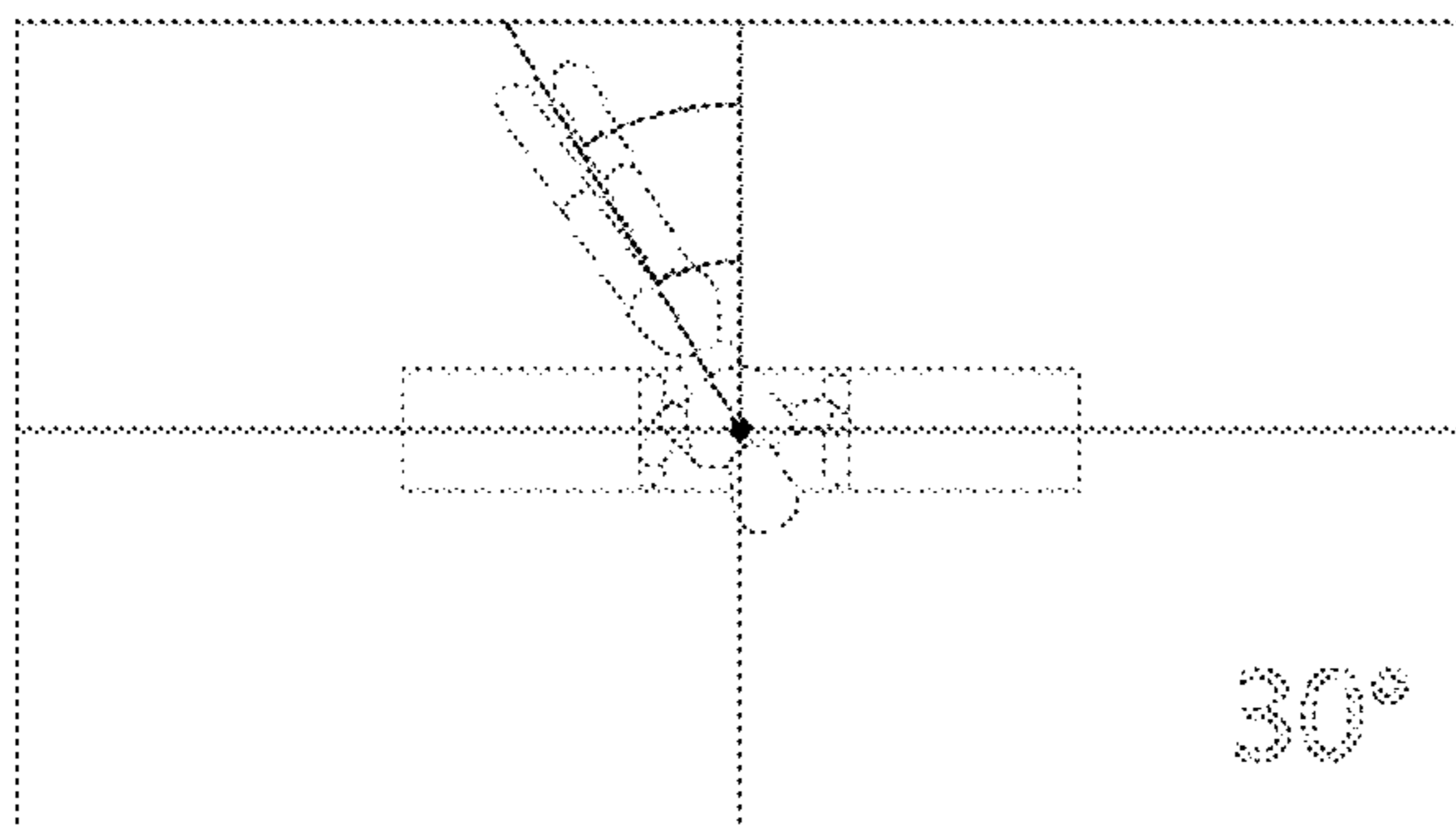
1.19: 19th image in the changing state

1.20: 20th image in the changing state

1.21: 21st image in the changing state

The animated graphic user interface shown on the display is for supporting scoring performances of gymnastic competition or the like; specifically, it shows visualized movements and positions of joints of performers measured by a 3D sensor, with necessary information for a referee to score performances in accordance with scoring rules; as shown in the reproductions, it indicates differences in angle between the movements of the performer and the standard axis; the

(Continued)



indication of the angle transitions from 0 to 360 degrees; the broken lines shown in the drawings form no part of the claimed design.

1 Claim, 21 Drawing Sheets

(58) **Field of Classification Search**

CPC . A63F 2300/308; A63F 13/53; G08G 1/0962;
G08F 1/123; G08F 3/0481; A61B 5/02
See application file for complete search history.

(56) **References Cited**

U.S. PATENT DOCUMENTS

D681,649 S * 5/2013 Fletcher D14/485
D699,750 S * 2/2014 Pearson D14/488
D713,415 S * 9/2014 Lee D14/486
D726,208 S * 4/2015 Dorfmann D14/486
D753,712 S * 4/2016 Lee G06F 3/0481
D14/489
D757,080 S * 5/2016 Hou D14/486
D757,746 S * 5/2016 Lee D14/485
D761,840 S * 7/2016 Patterson D14/488

D763,269 S * 8/2016 Lee D14/485
D768,644 S * 10/2016 Miyakawa D14/485
D769,886 S * 10/2016 Kurita D14/485
D782,528 S * 3/2017 Dzijind D14/488
D783,046 S * 4/2017 Dzijind D14/488
D788,794 S * 6/2017 Sabatelli G06F 3/0481
D14/485
D791,815 S * 7/2017 Dzijind D14/488
D793,438 S * 8/2017 Hosaka D14/486
D797,792 S * 9/2017 Patterson D14/488
D800,159 S * 10/2017 Park D14/489
D812,078 S * 3/2018 Wang D14/486
D818,489 S * 5/2018 Lider D14/488
D820,866 S * 6/2018 Lim D14/486
2012/0233557 A1 * 9/2012 Wakhlu G06F 3/0481
715/753

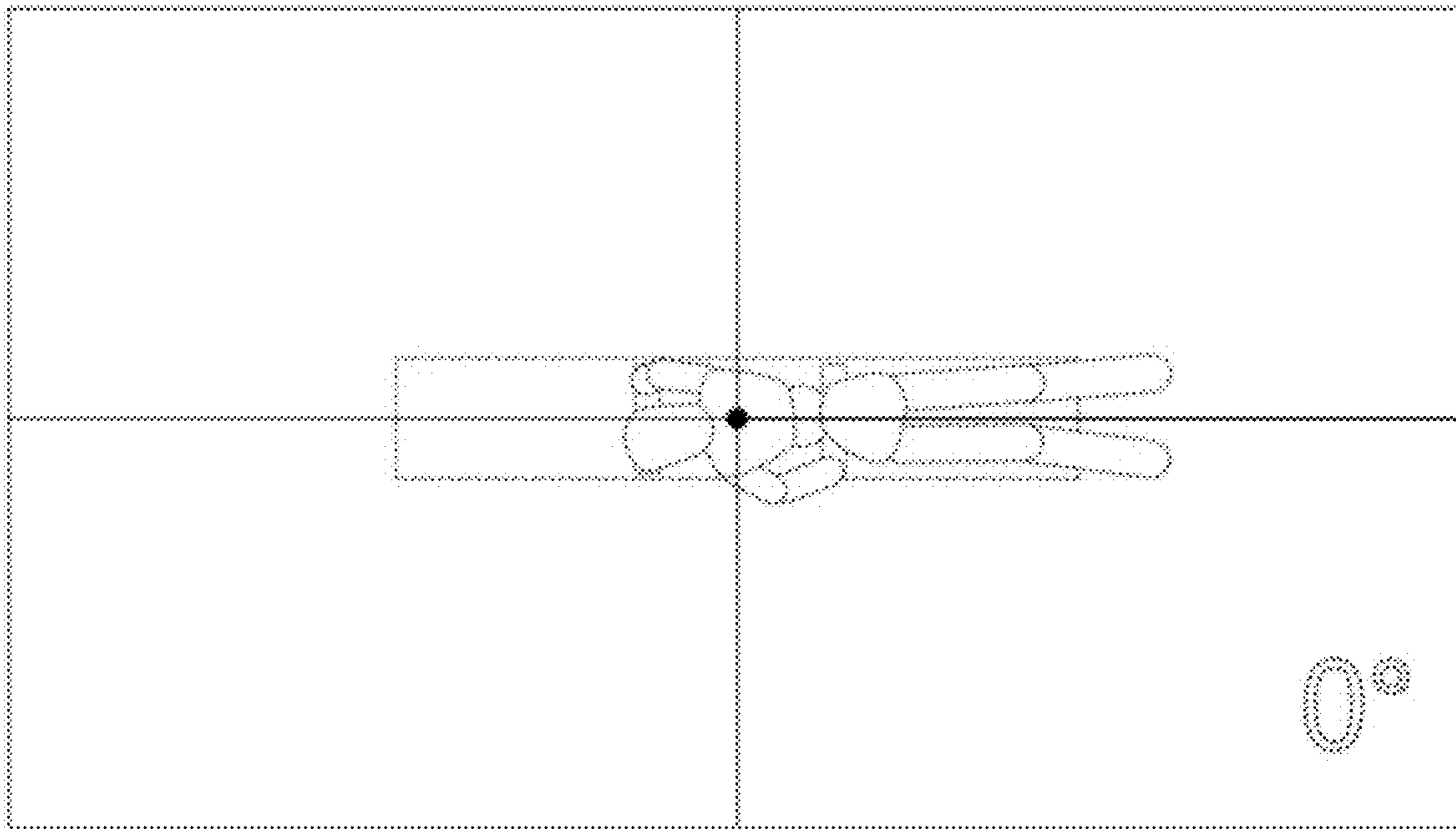
OTHER PUBLICATIONS

Xi Lin, Radar Map Animation, posted at dribbble, posting date Nov. 4, 2016. [Site visited Aug. 21, 2018] URL: <<https://dribbble.com/shots/3070555-Radar-Map-Animation>> (Year: 2016).*

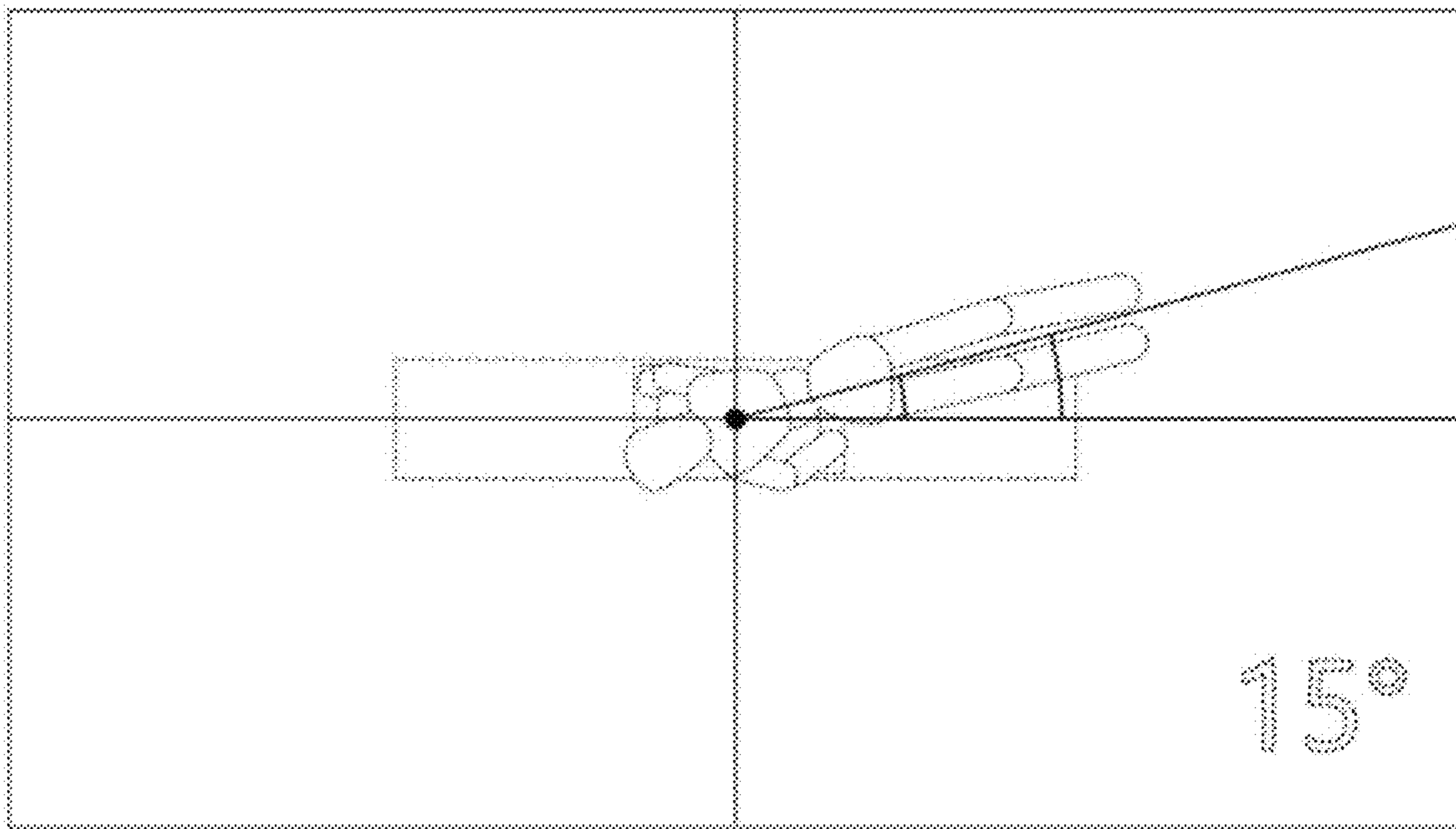
MWL, Radar Bike, posted at dribbble, posting date Feb. 7, 2015. [Site visited Aug. 17, 2018] URL: <<https://dribbble.com/shots/1920406-Radar-Bike>> (Year: 2015).*

* cited by examiner

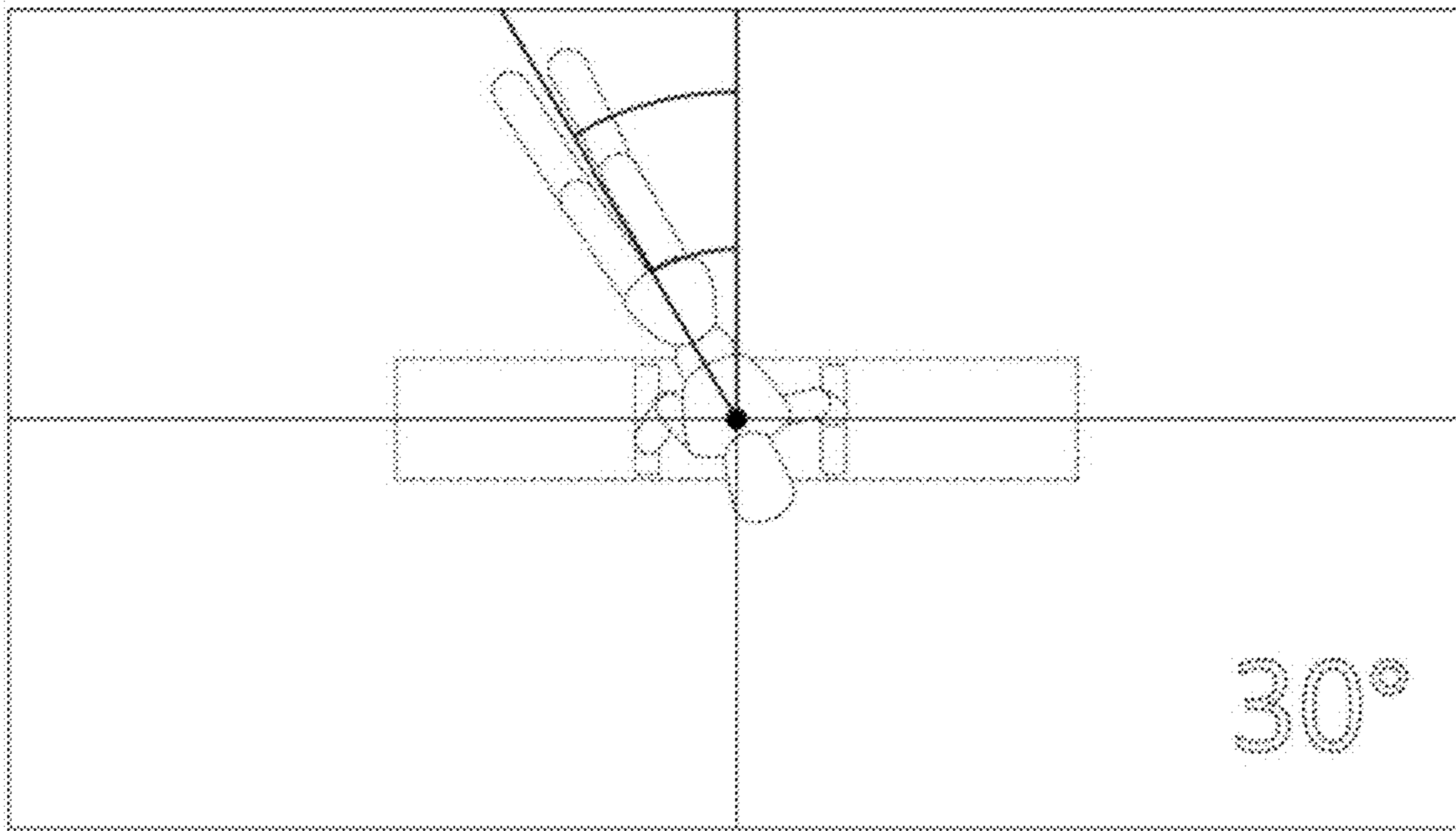
1.1



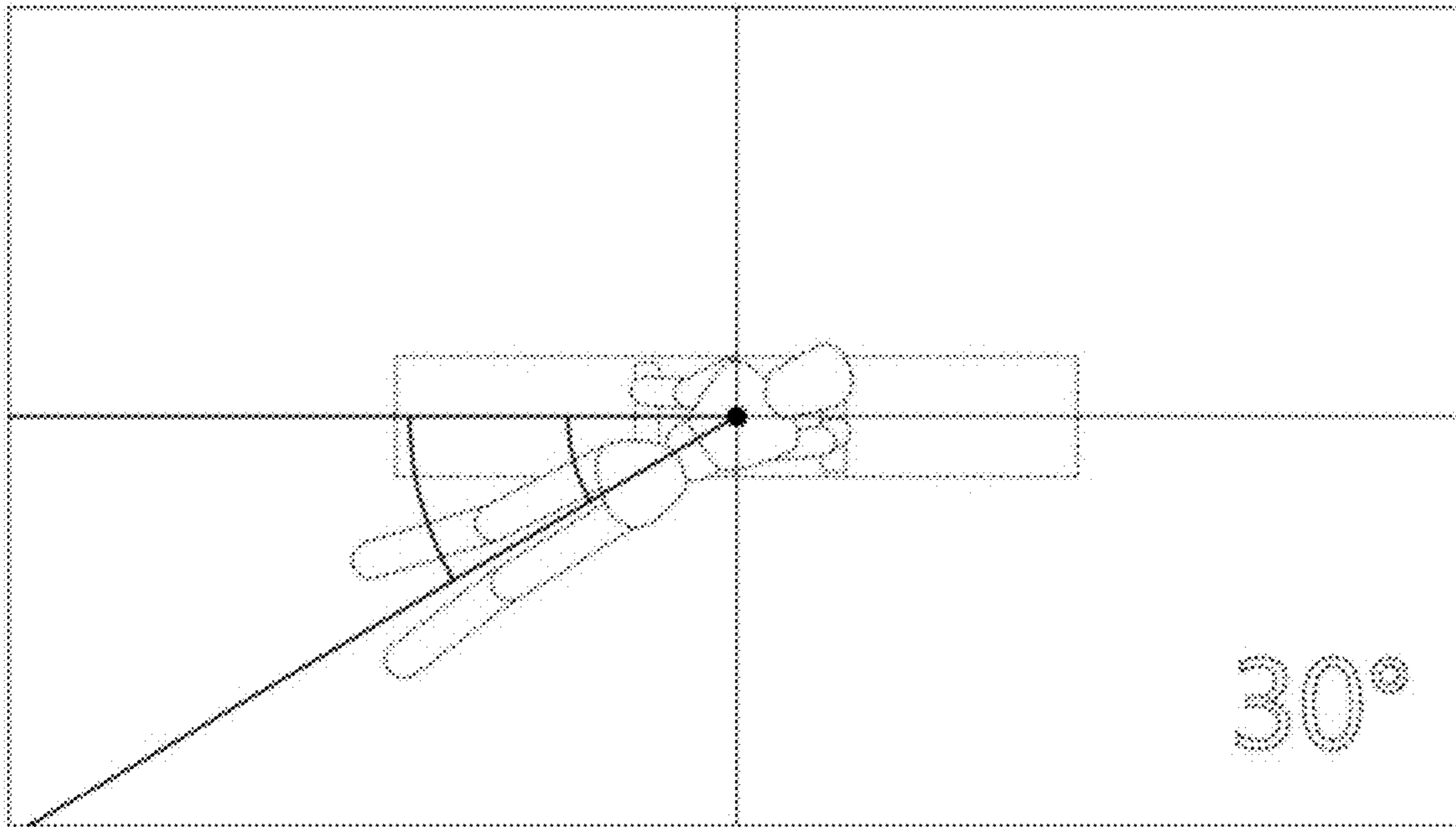
1.2



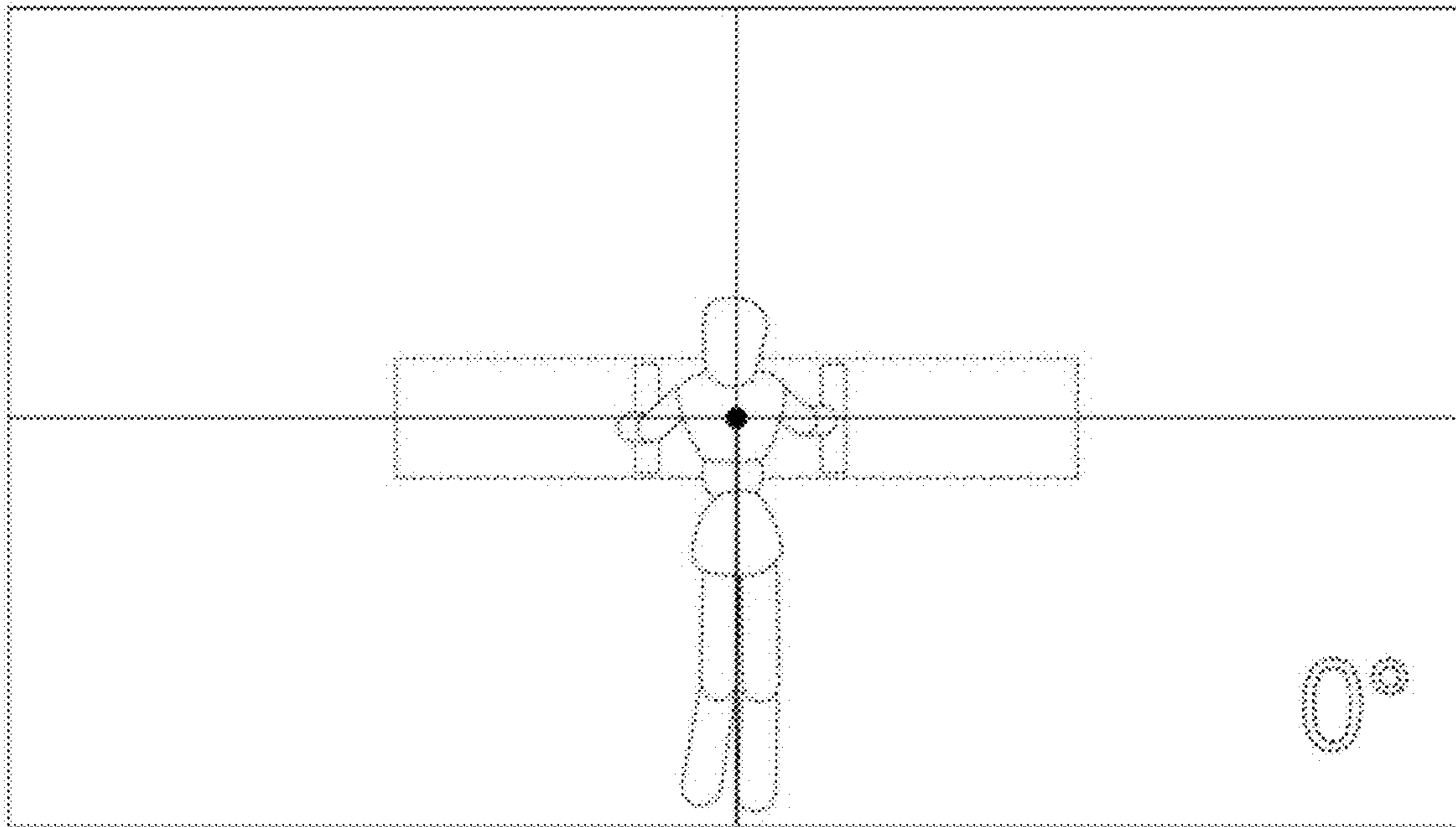
1.3



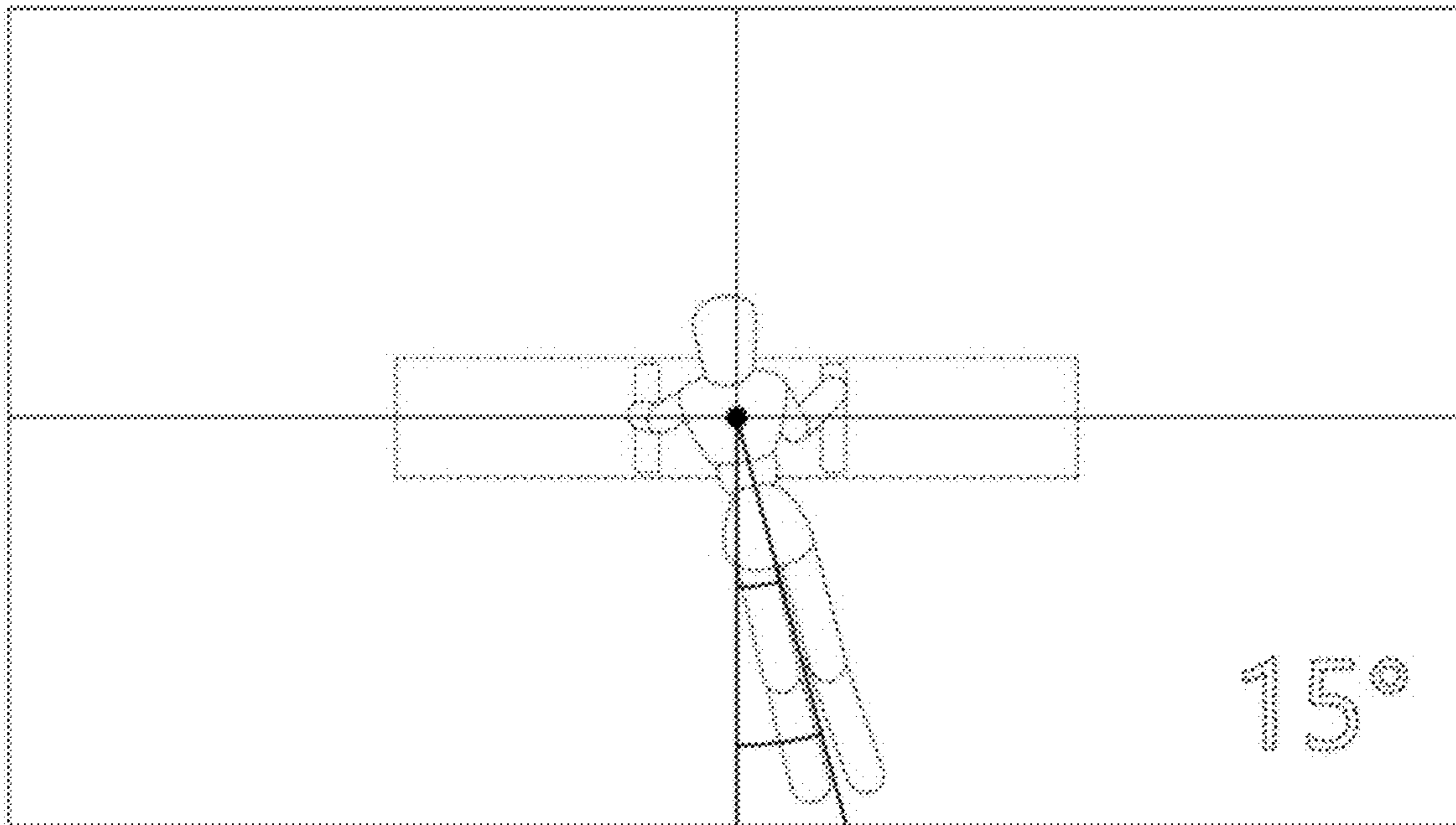
1.4



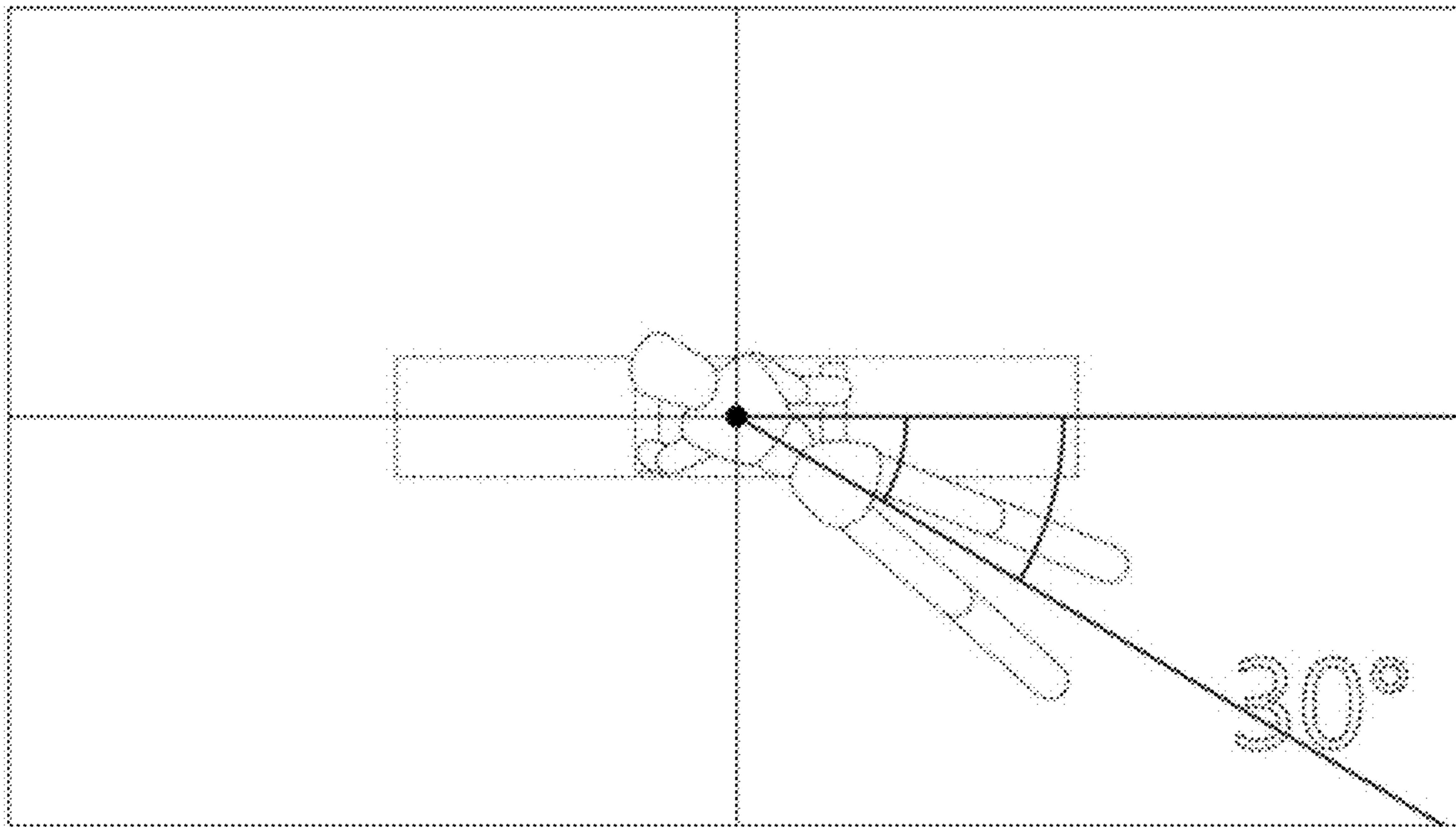
1.5



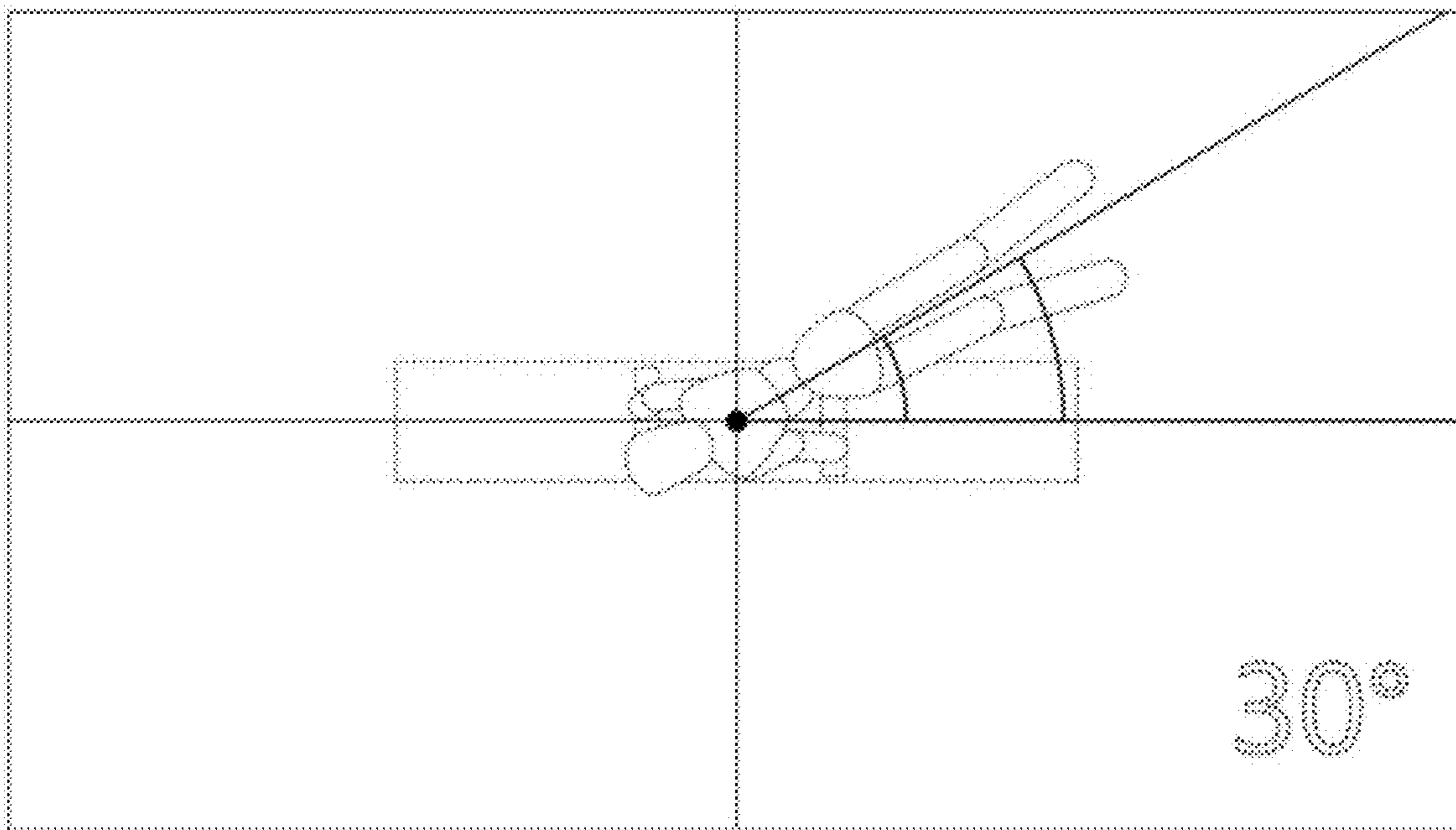
1.6



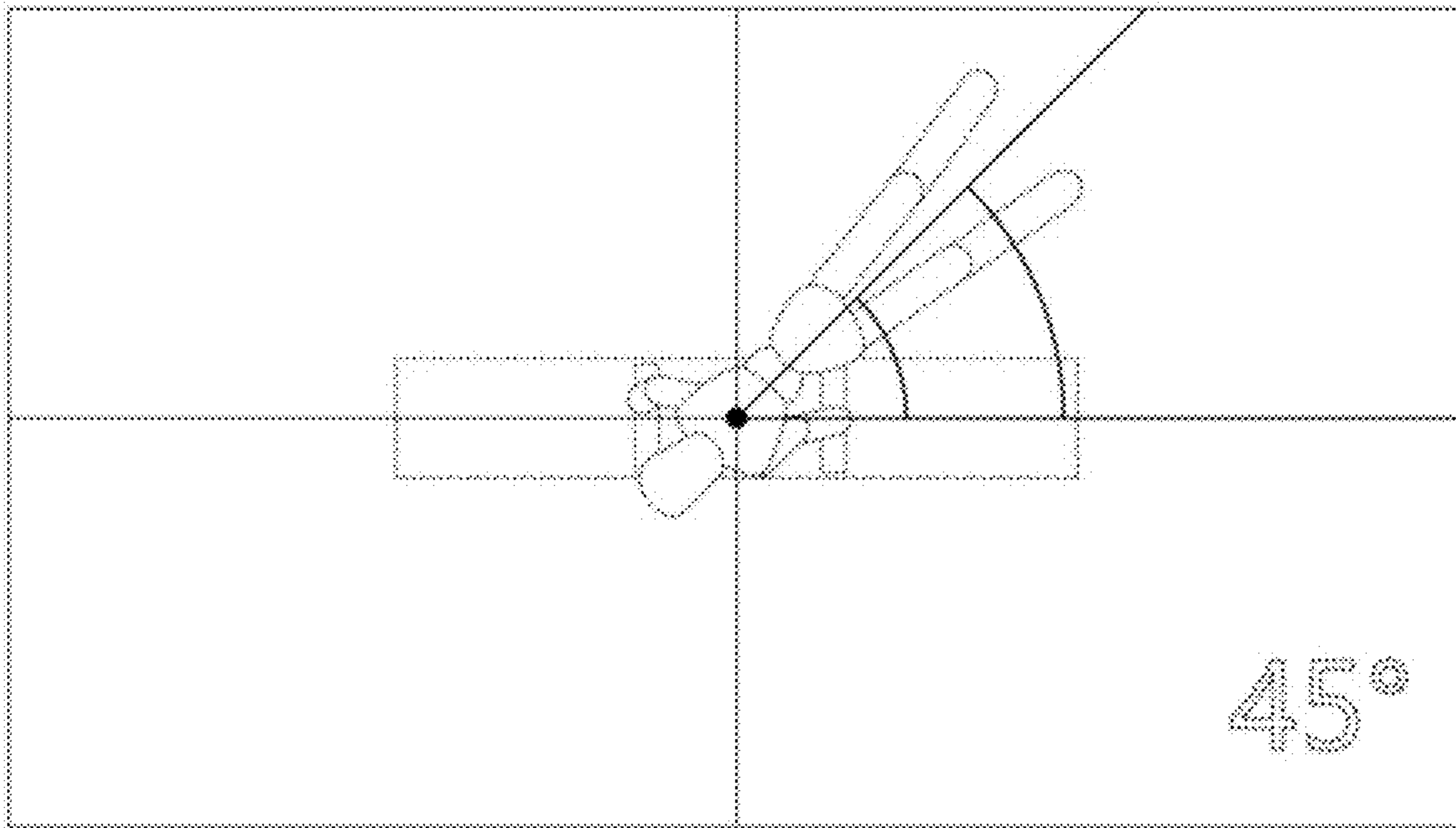
1.7



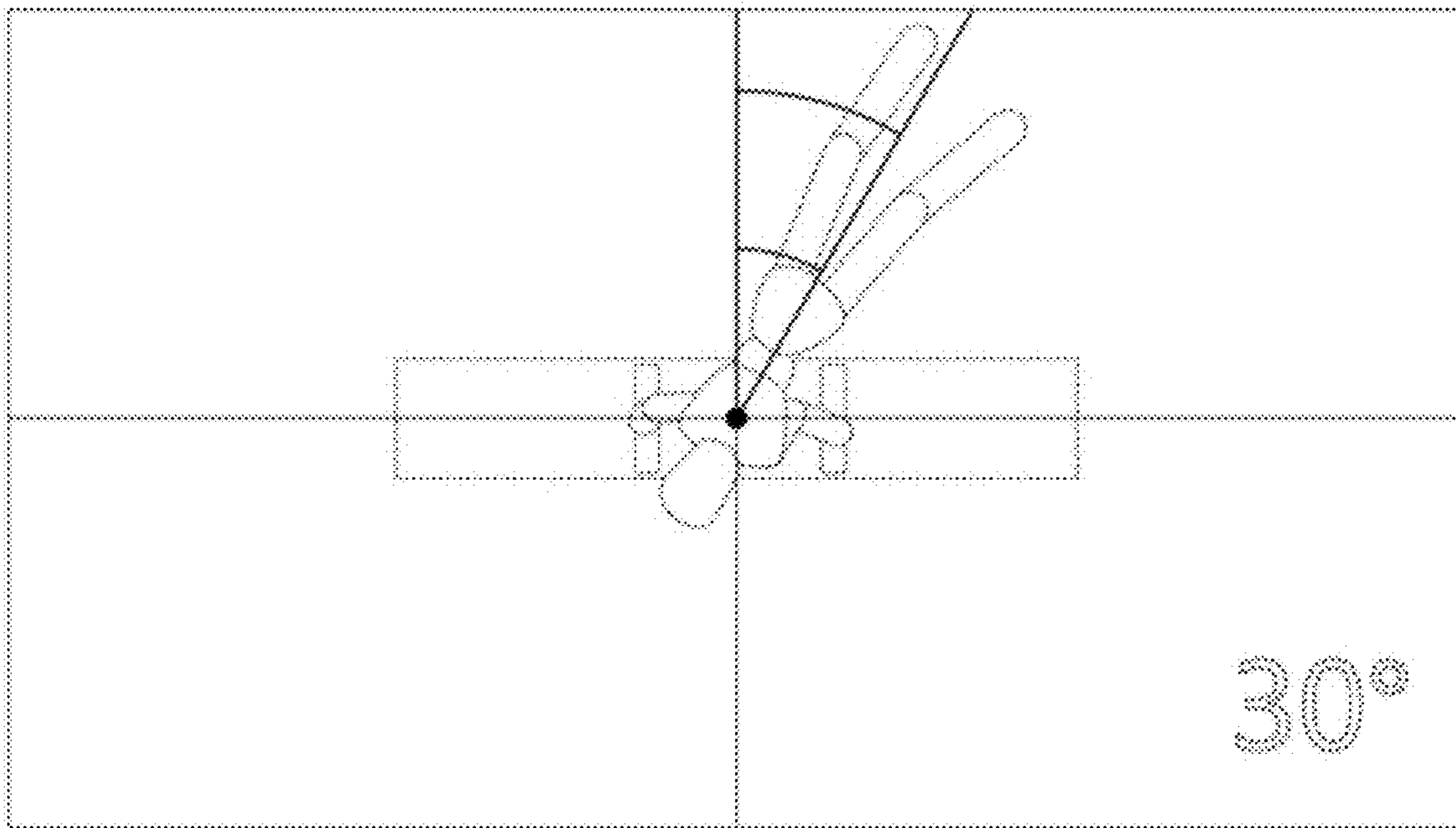
1.8



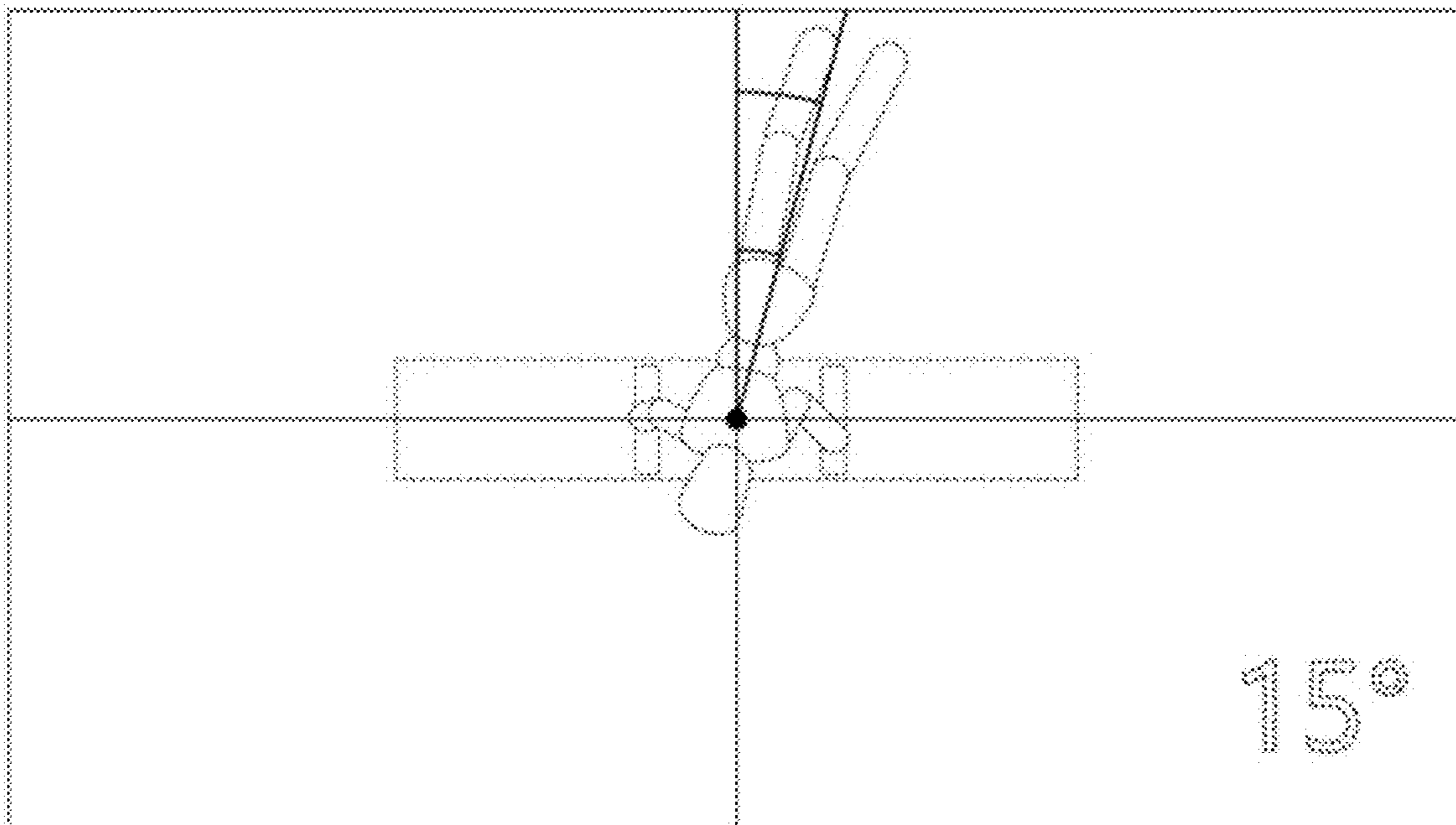
1.9



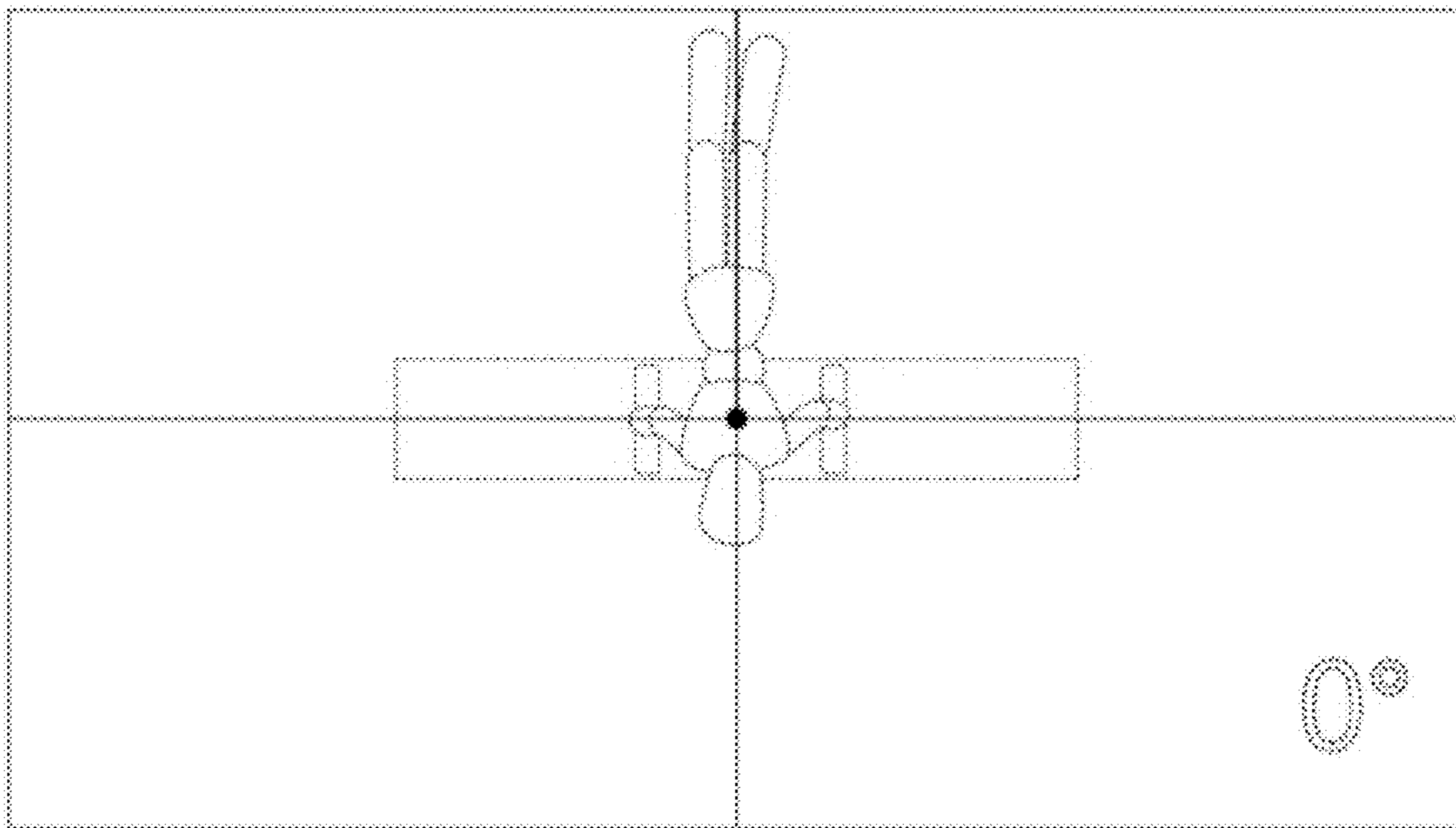
1.10



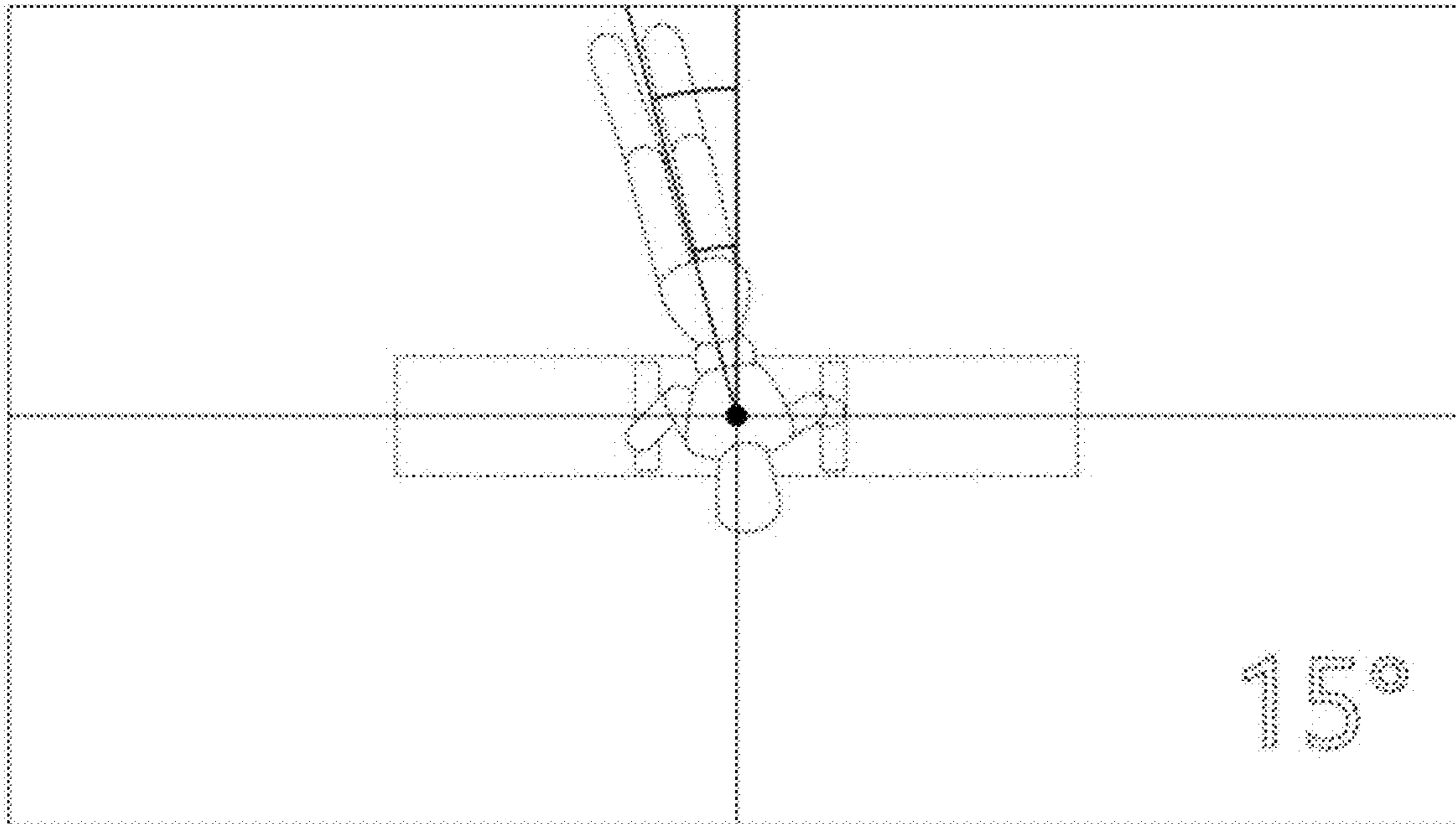
1.11



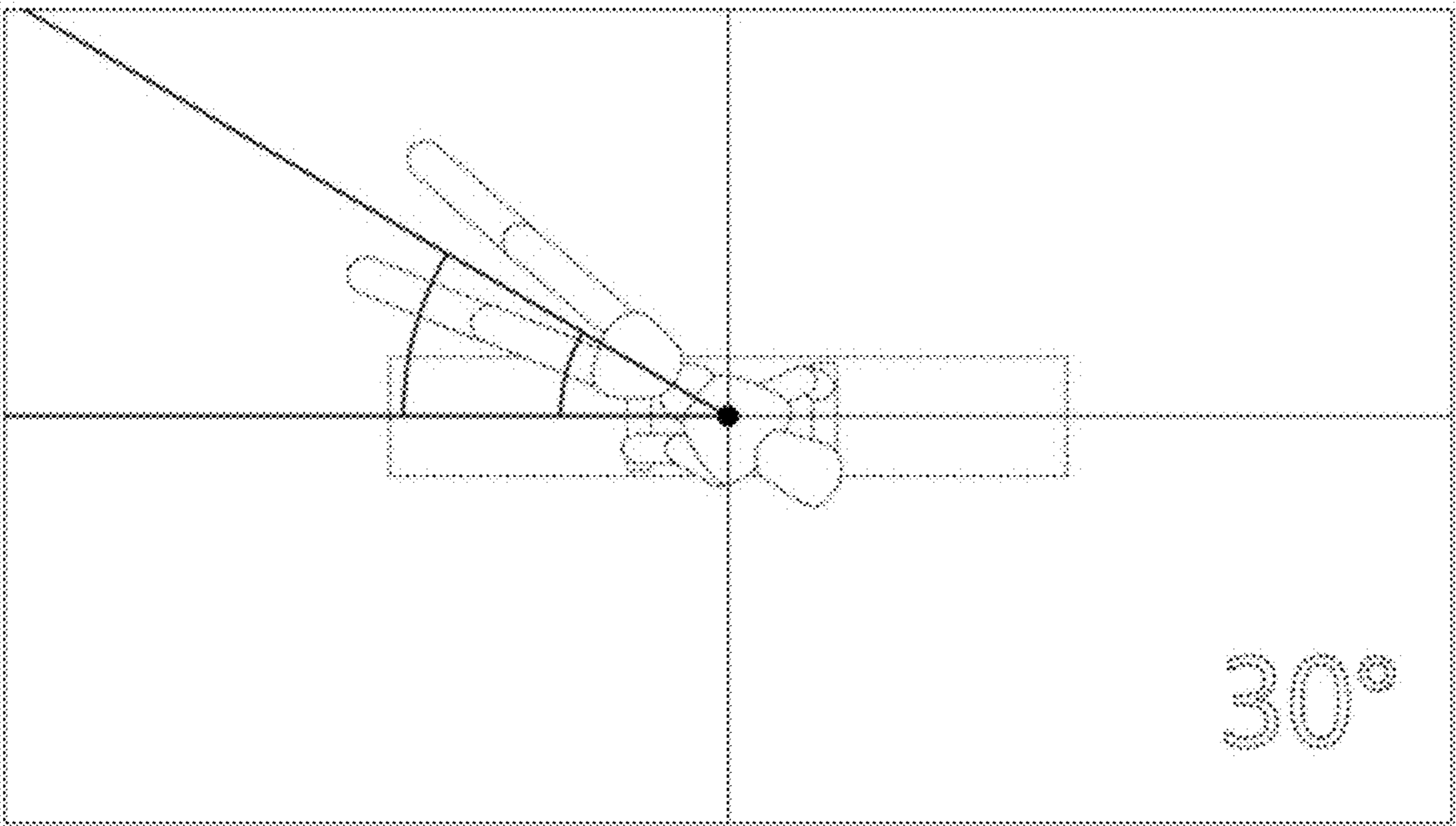
1.12



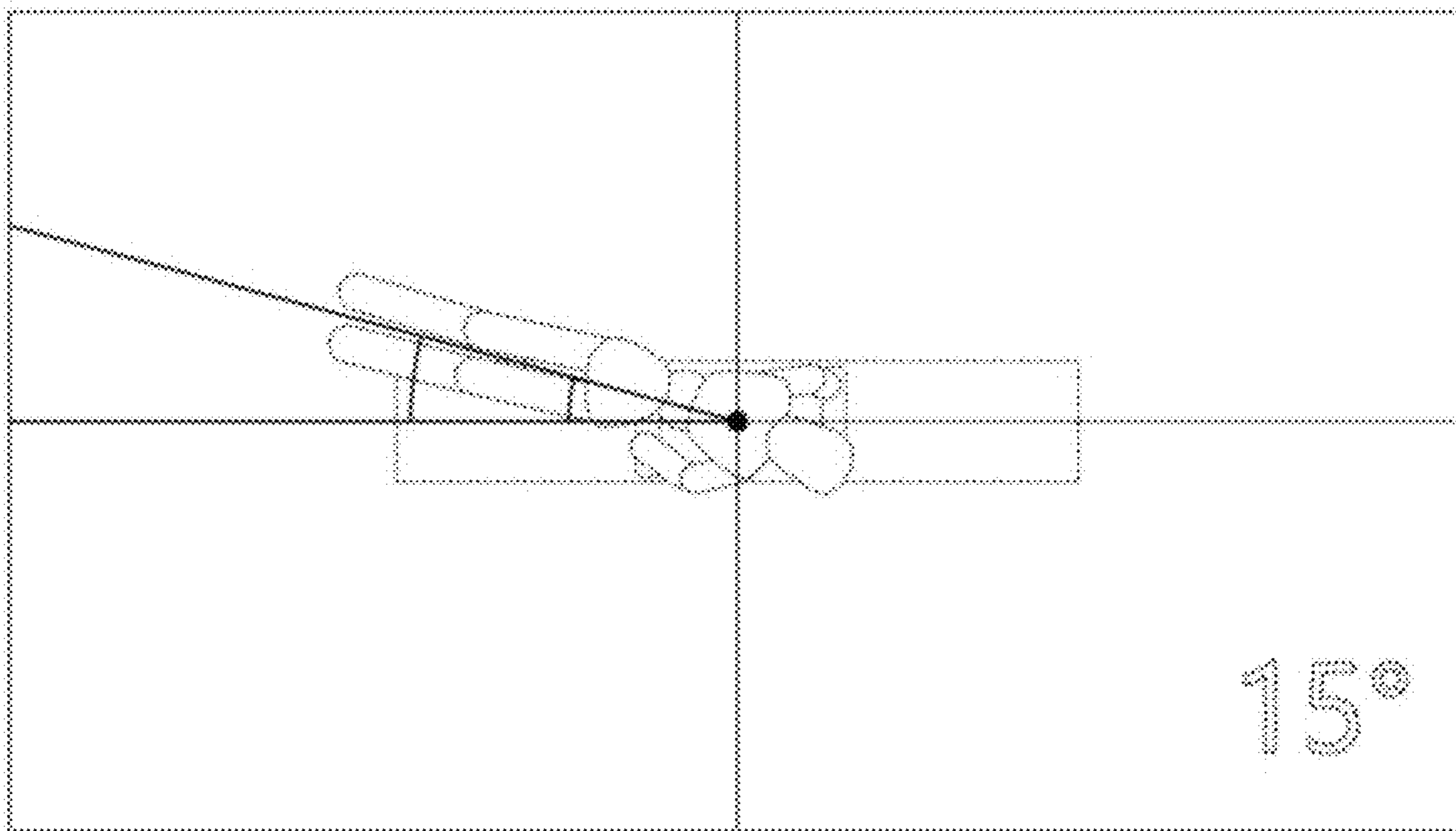
1.13



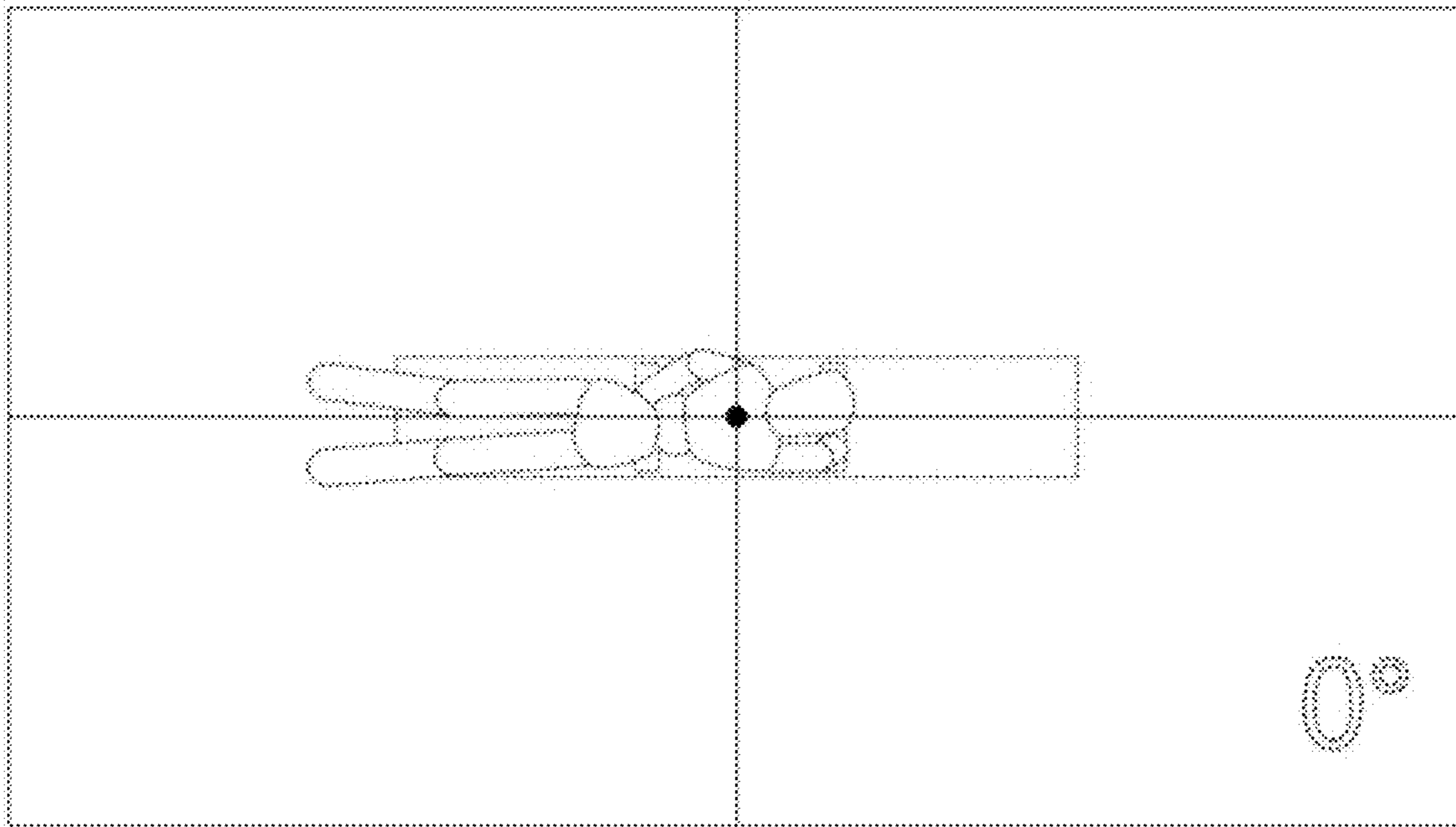
1.14



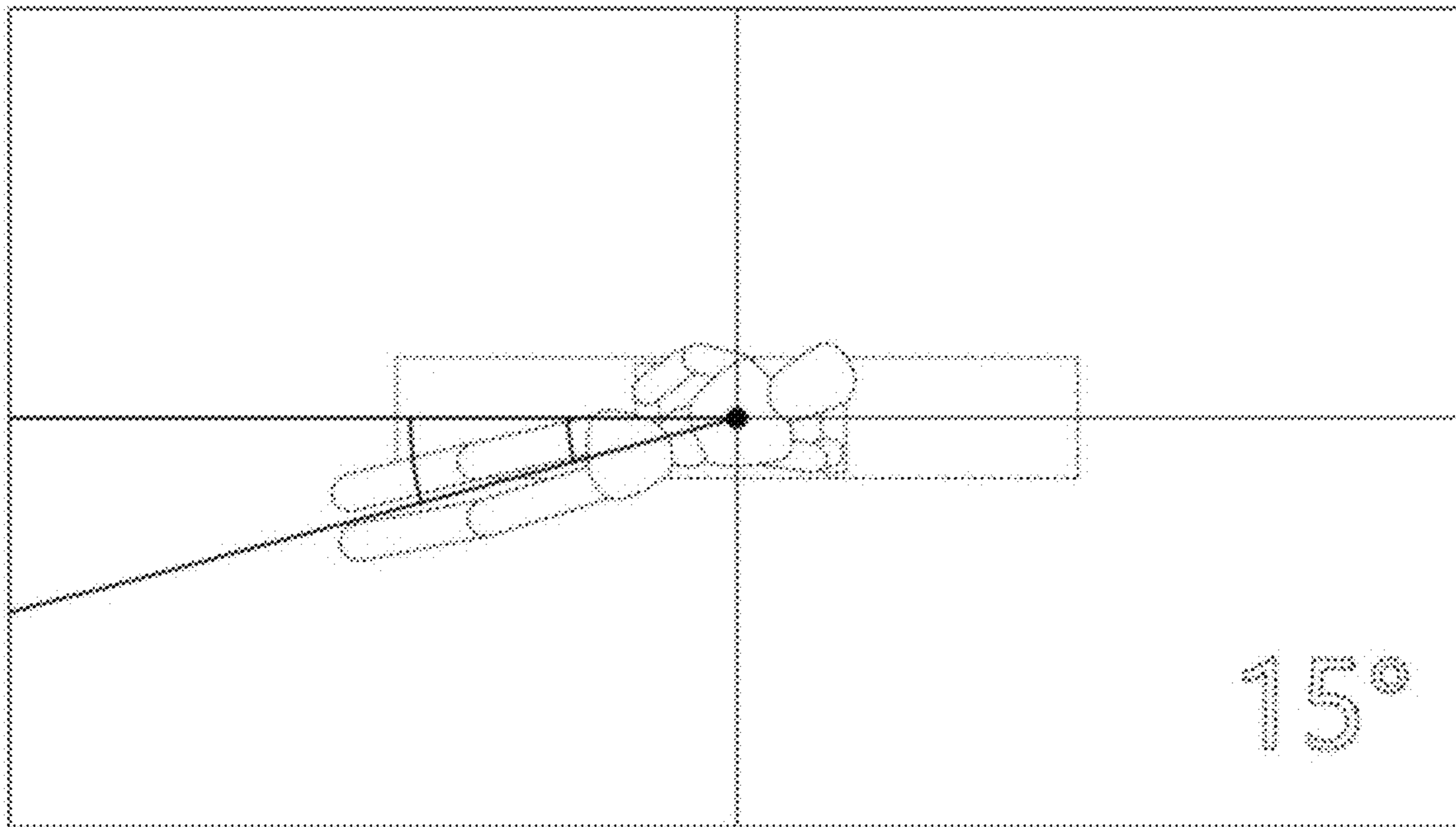
1.15



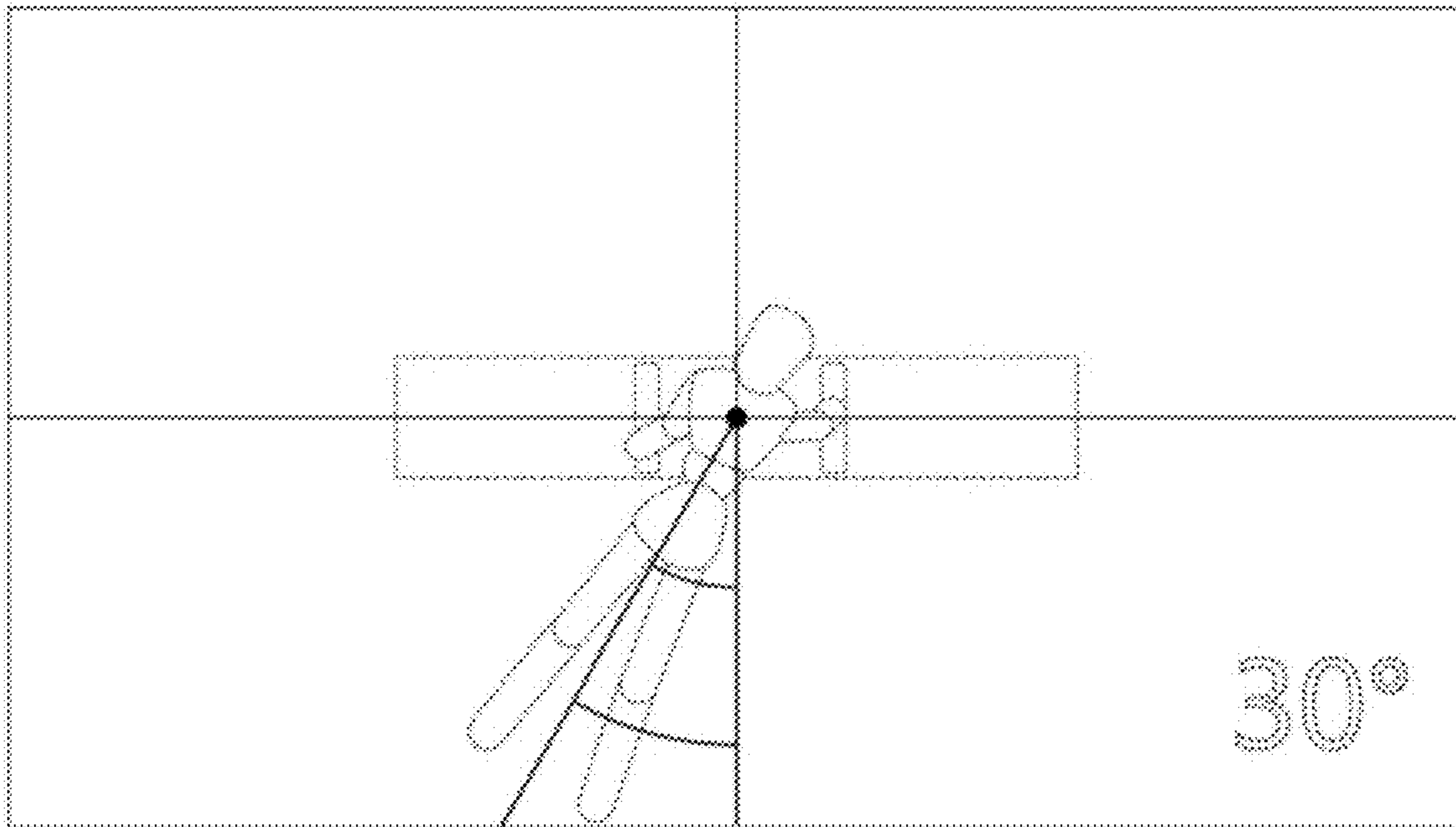
1.16



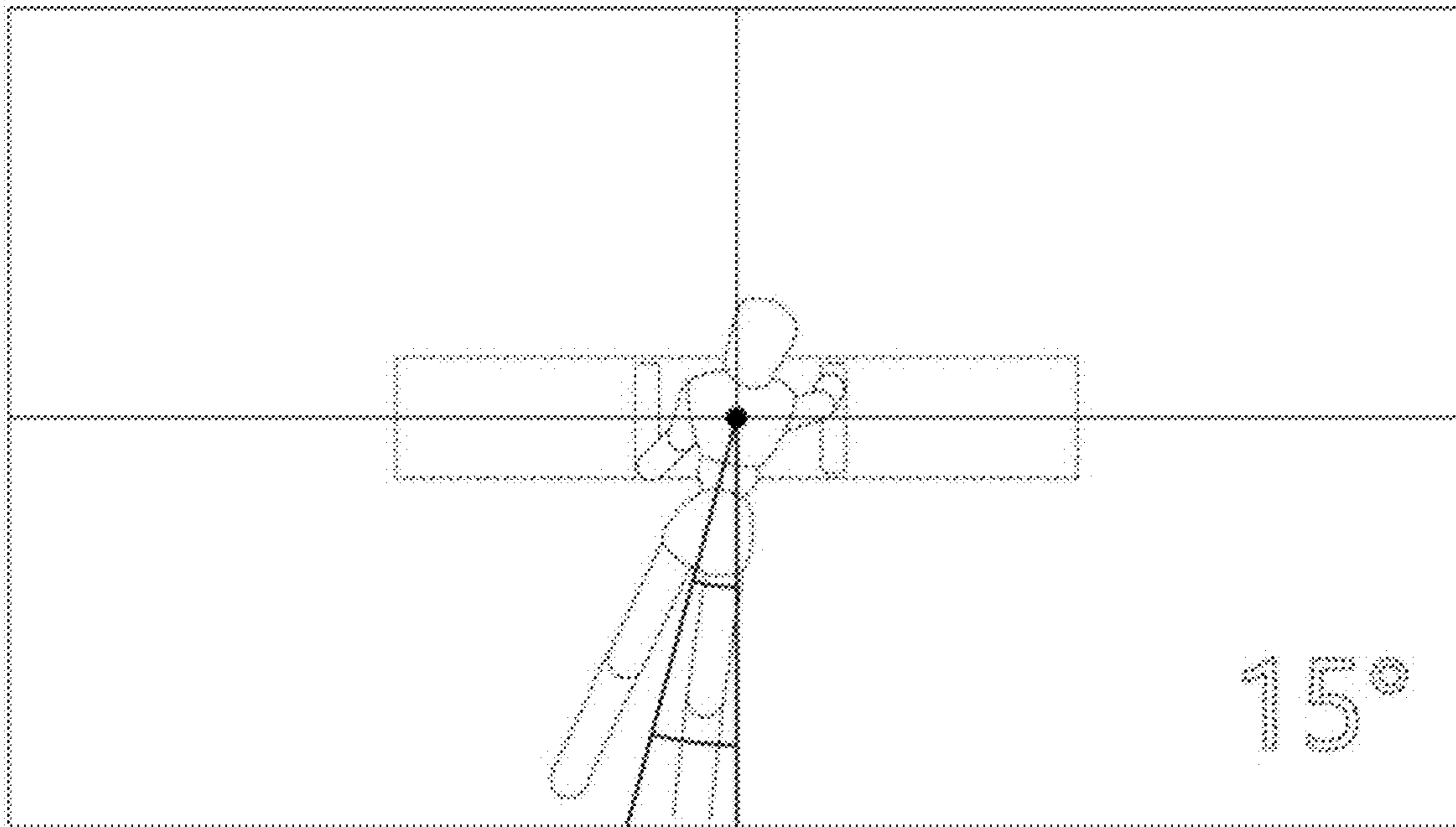
1.17



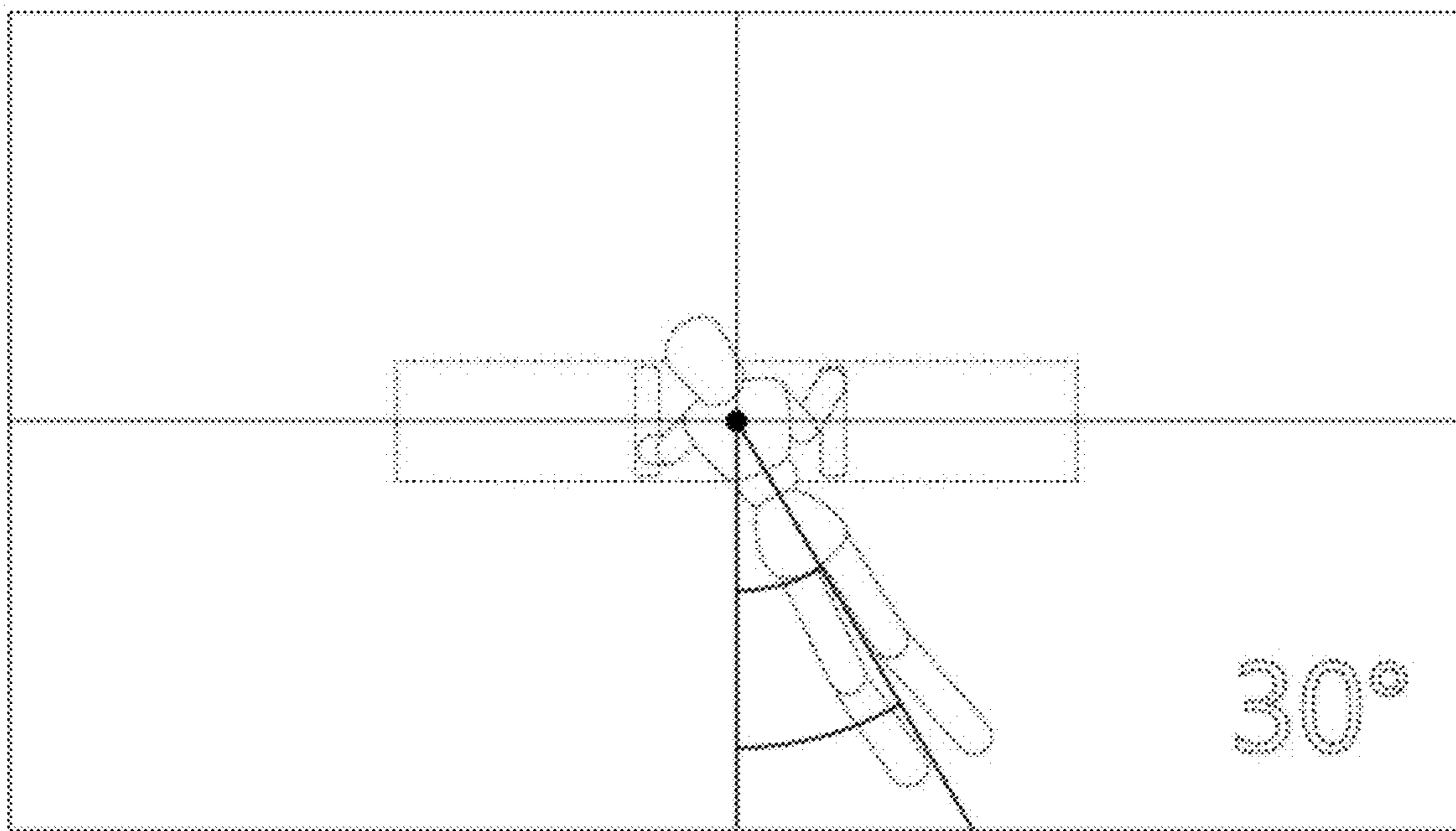
1.18



1.19



1.20



1.21

