



US00D837823S

(12) **United States Design Patent**
Morgan et al.

(10) **Patent No.:** **US D837,823 S**
(45) **Date of Patent:** **** Jan. 8, 2019**

(54) **DISPLAY PANEL OF AN ELECTRONIC PERSONAL TRAINING DEVICE WITH A CHANGEABLE COMPUTER GENERATED ICON**

(71) Applicant: **TomTom International B.V.**,
Amsterdam (NL)

(72) Inventors: **David Morgan**, London (GB); **Marco Bakker**, Enkhuizen (NL)

(73) Assignee: **TOMTOM INTERNATIONAL B.V.**,
Amsterdam (NL)

(**) Term: **15 Years**

(21) Appl. No.: **29/549,612**

(22) Filed: **Dec. 28, 2015**

(51) **LOC (11) Cl.** **14-04**

(52) **U.S. Cl.**
USPC **D14/488**

(58) **Field of Classification Search**
USPC D14/485-95; D18/24-33; D19/6, 52;
D20/11; D21/324-33
CPC G06F 3/048-3/04897
See application file for complete search history.

(56) **References Cited**

U.S. PATENT DOCUMENTS

D669,499 S *	10/2012	Gardner	D14/495
D723,060 S *	2/2015	Daniel	D14/492
D731,532 S *	6/2015	Kim	D14/488
D749,630 S *	2/2016	Hwang	D14/489
D752,608 S *	3/2016	Oh	D14/485
D754,729 S *	4/2016	Kim	D14/489
D758,432 S *	6/2016	Woo	D14/489
D765,676 S *	9/2016	Joo	D14/485
D765,723 S *	9/2016	Kim	D14/489
D769,935 S *	10/2016	Hall	D14/489

(Continued)

OTHER PUBLICATIONS

Trademark applications 79167344, 86676566, 87011142.*

Primary Examiner — Melanie H Tung

(57) **CLAIM**

The ornamental design for a display panel of an electronic personal training device with a changeable computer generated icon, as shown and described.

DESCRIPTION

FIG. 1 shows a top view of a first image in a sequence for a display panel of an electronic personal training device with a changeable computer generated icon in accordance with the present design.

FIG. 2 shows a top view of a second image in the sequence for the display panel of the electronic personal training device with the changeable computer generated icon in accordance with the present design.

FIG. 3 shows a top view of a third image in the sequence for the display panel of the electronic personal training device with the changeable computer generated icon in accordance with the present design.

FIG. 4 shows a top view of a fourth image in the sequence for the display panel of the electronic personal training device with the changeable computer generated icon in accordance with the present design; and,

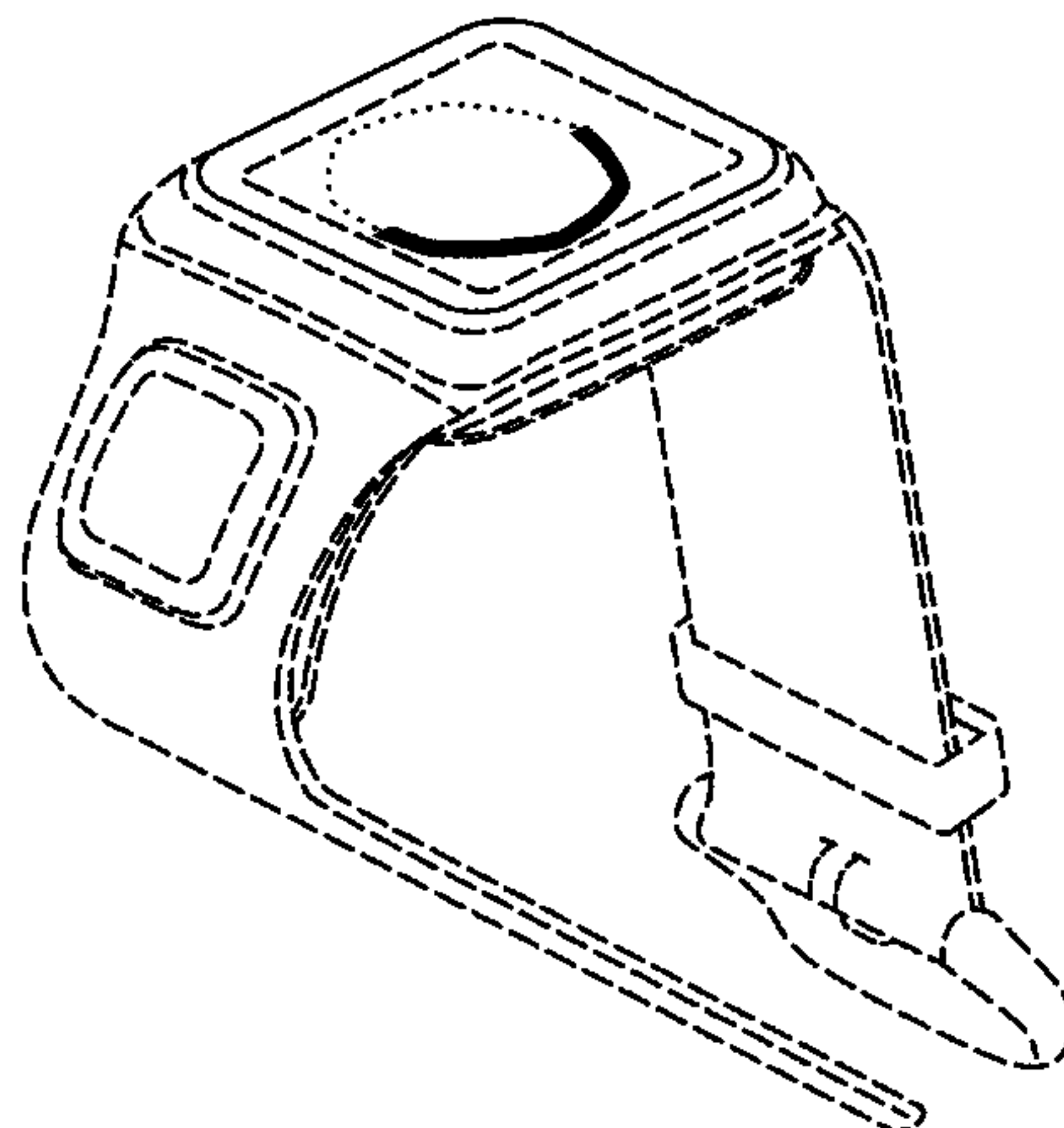
FIG. 5 shows a perspective view of FIG. 3 in accordance with the present design.

The subject matter in this patent includes a process or period in which an image changes into another image. The appearance of the image transitions sequentially between the images shown in FIGS. 1-4. The process or period in which an image transitions to another image forms no part of the claimed design.

The dashed lines in all views form no part of the claimed design.

The display panel is shown separately in FIGS. 1-4 for clarity of illustration.

1 Claim, 2 Drawing Sheets



(56)

References Cited

U.S. PATENT DOCUMENTS

D772,929	S	*	11/2016	Montes	D14/488
D774,086	S	*	12/2016	Montes	D14/489
D775,198	S	*	12/2016	Montes	D14/489
D780,804	S	*	3/2017	Cho	D14/489
2015/0161922	A1	*	6/2015	Szyman	G09F 23/00
						40/538
2015/0293280	A1	*	10/2015	Lee	G02B 5/201
						359/891

* cited by examiner

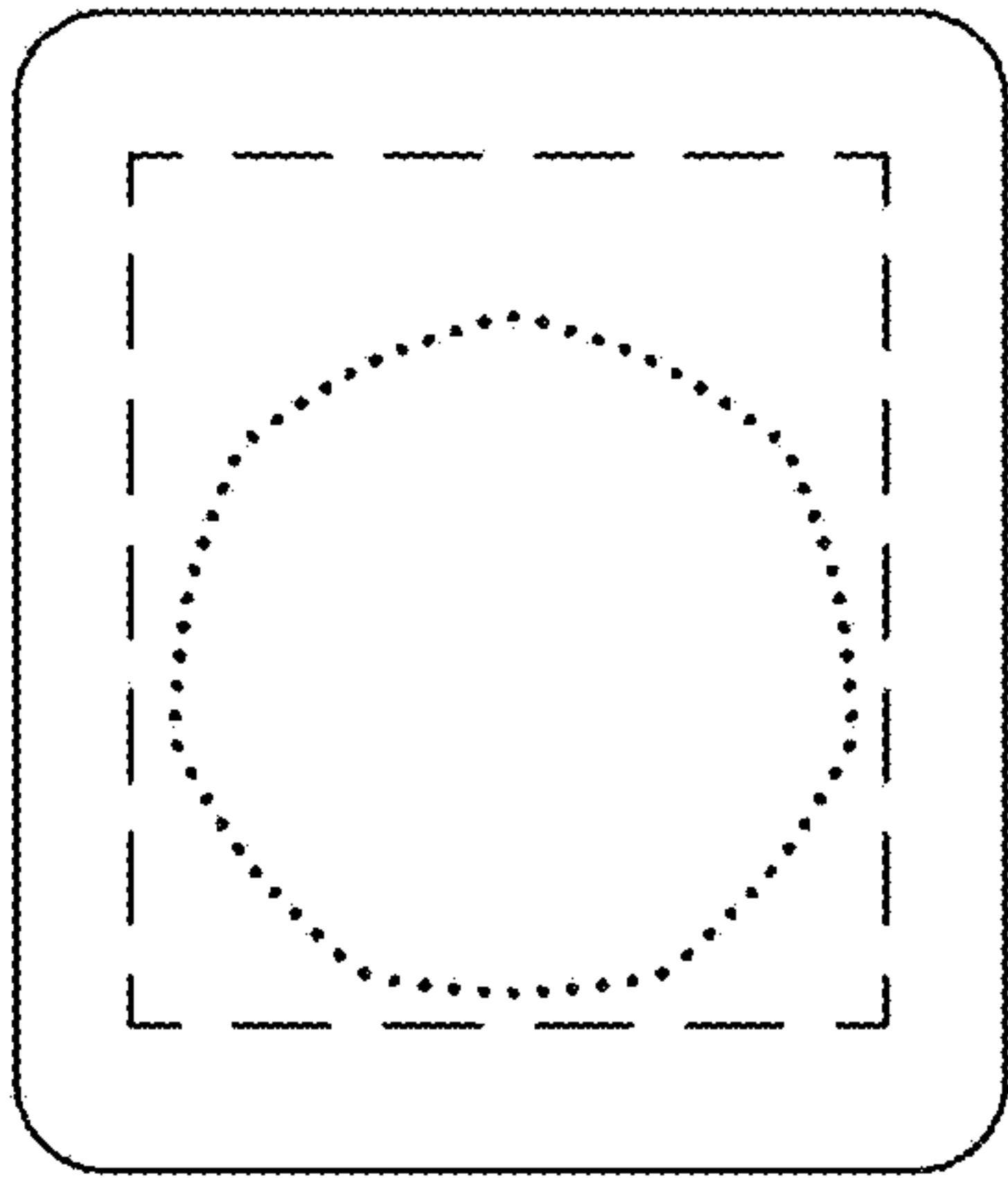


FIG. 1

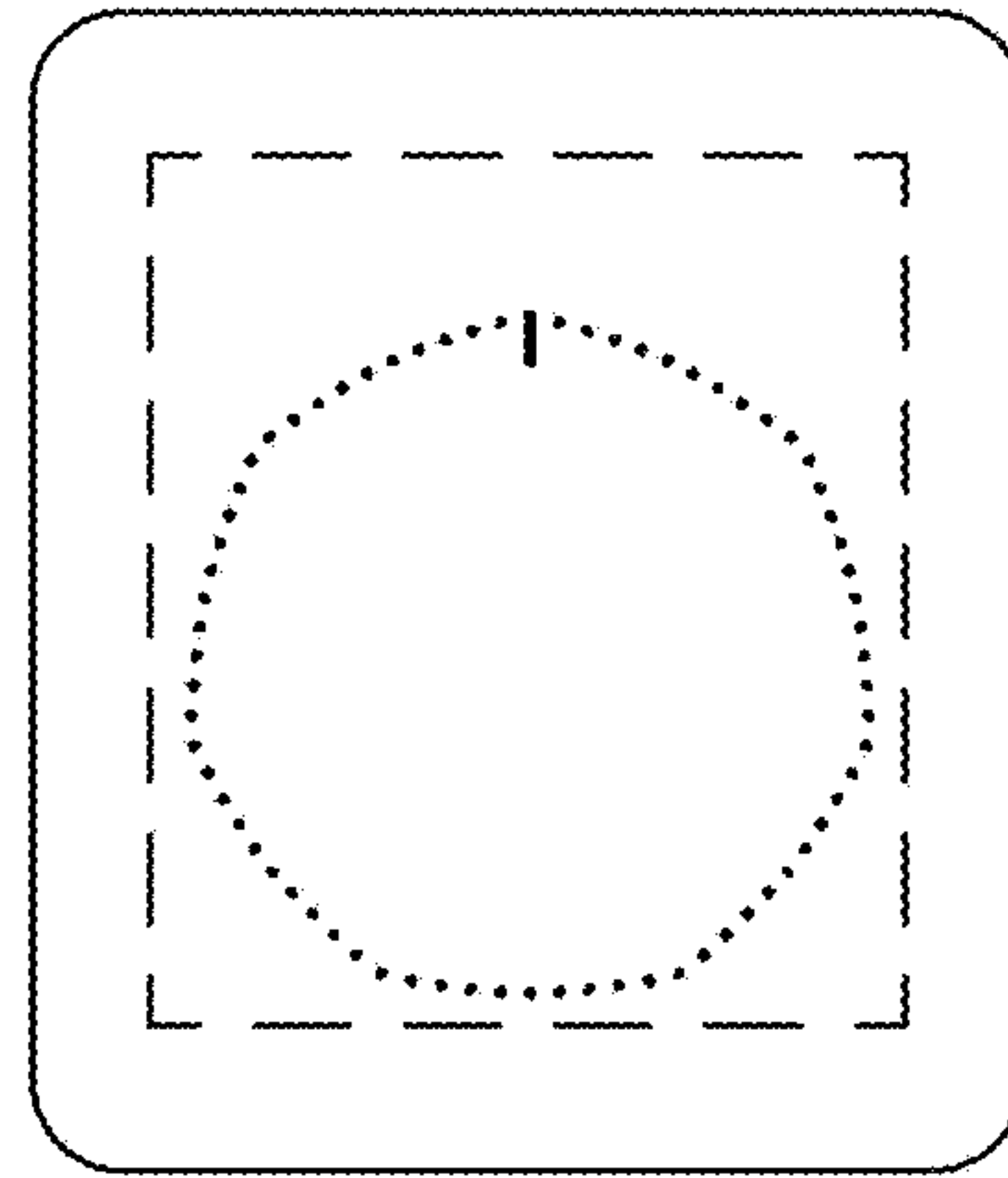


FIG. 2

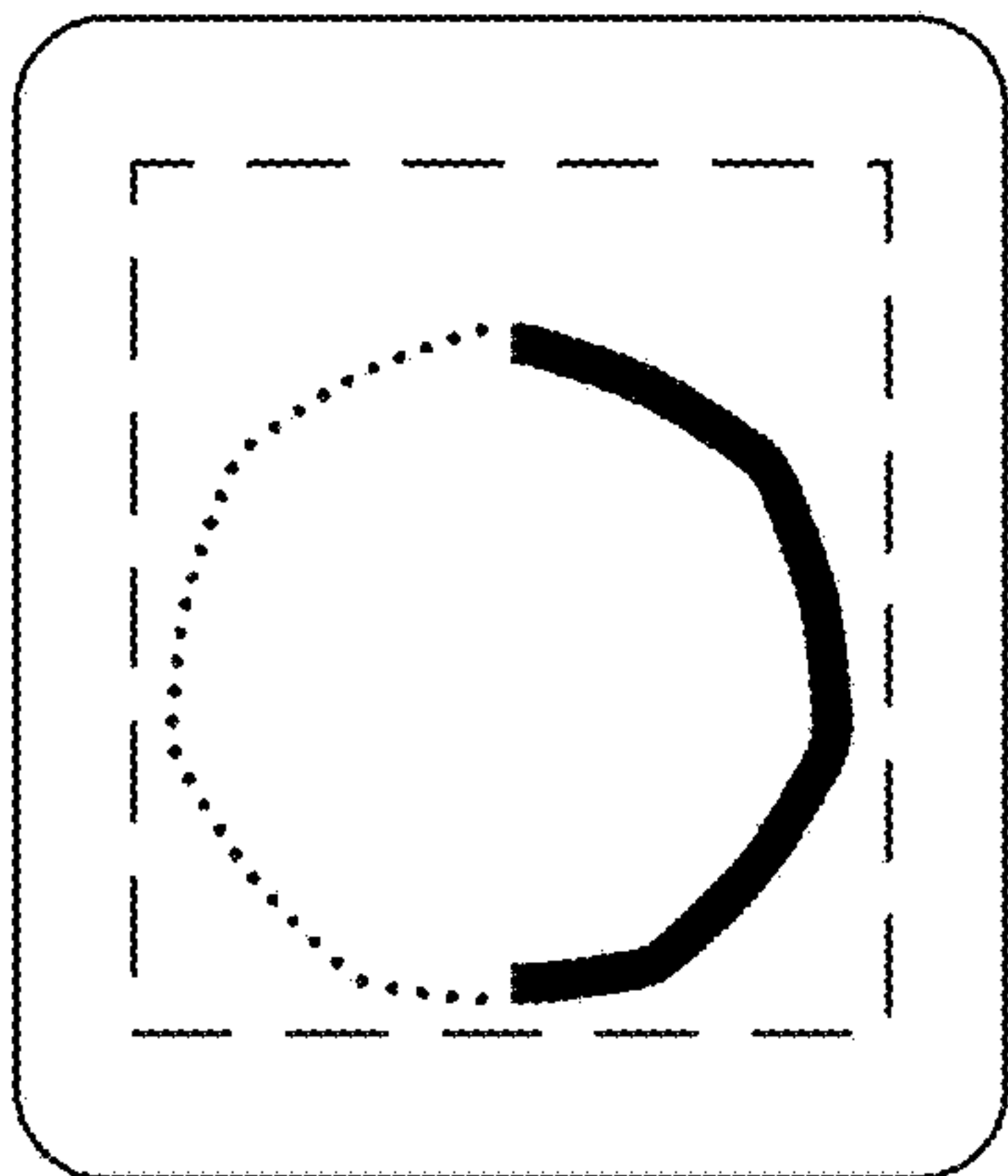


FIG. 3

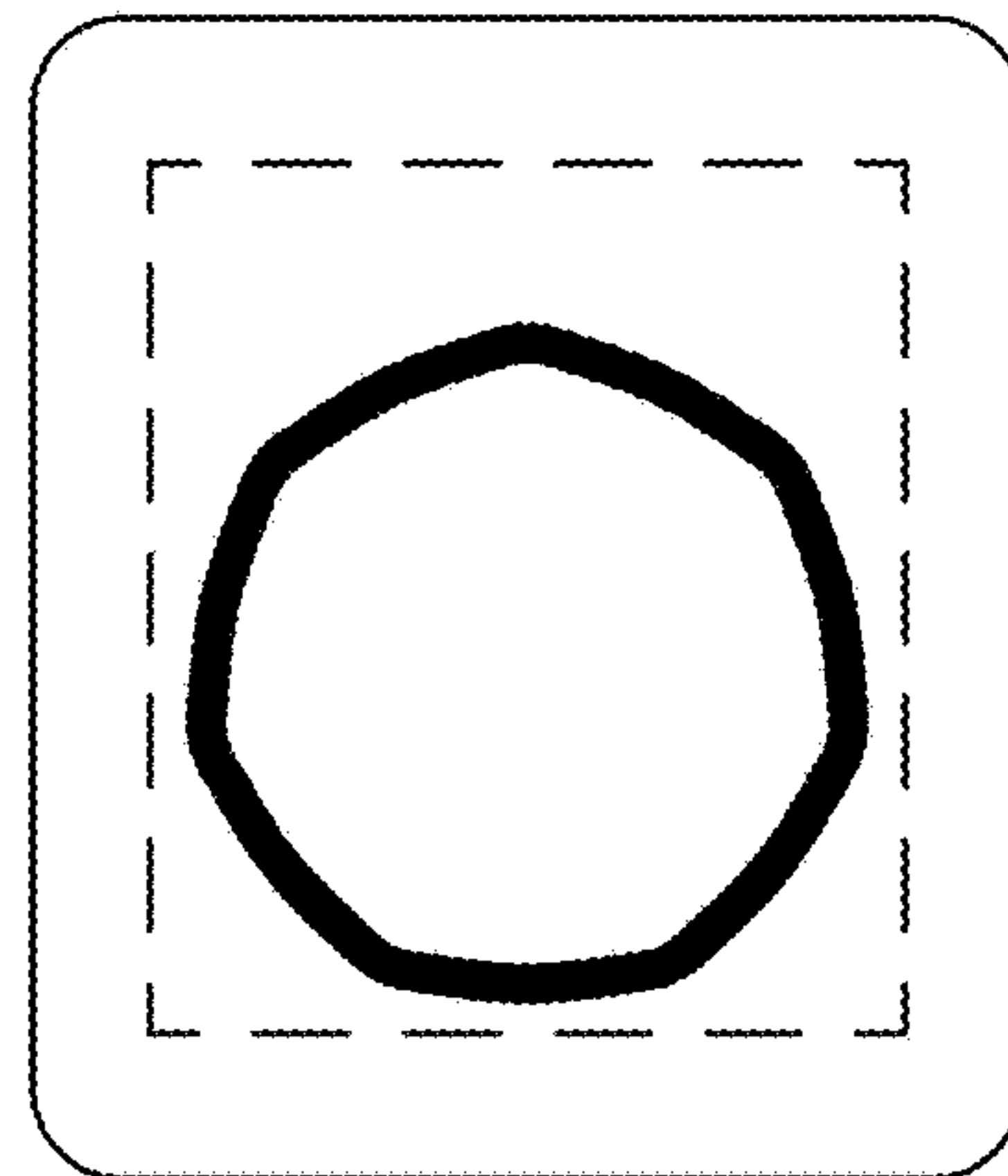


FIG. 4

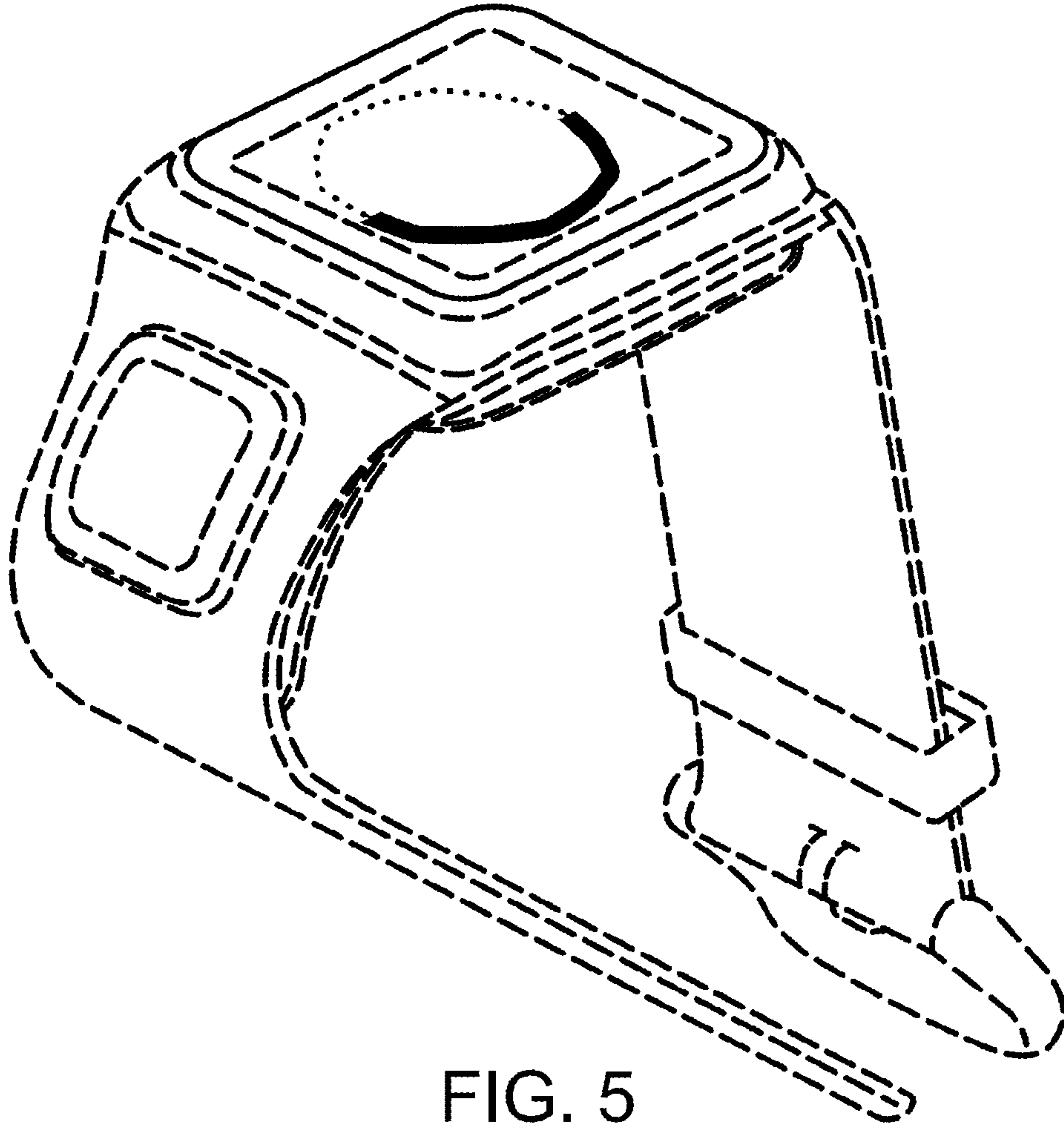


FIG. 5