



US00D837803S

(12) **United States Design Patent**
Peng et al.

(10) **Patent No.:** **US D837,803 S**
(45) **Date of Patent:** **** Jan. 8, 2019**

(54) **PAPER SUPPORT**

(71) Applicant: **AVISION INC.**, Hsinchu (TW)

(72) Inventors: **Chao-Yu Peng**, Hsinchu (TW);
Chi-Yao Chen, Miaoli County (TW);
Hsin-Chen Lee, Hsinchu (TW)

(73) Assignee: **Avision Inc.** (TW)

(**) Term: **15 Years**

(21) Appl. No.: **29/602,651**

(22) Filed: **May 2, 2017**

(51) **LOC (11) Cl.** **14-02**

(52) **U.S. Cl.**
USPC **D14/453**

(58) **Field of Classification Search**
USPC D14/421-425, 453, 462-471, 356;

D18/40, 36-39, 41, 44-56, 18-21, 34.9,
D18/59; 235/462, 455, 470, 462.43, 482,
235/483; 358/474, 486, 488, 496, 498,
358/452, 449, 451, 453.1, 1.13; 318/685,
318/696; 355/81, 75; 399/405, 367, 379,
399/380; 382/217; 715/209, 222, 226,
715/274; 400/613, 613.1-613.4,
400/690.1-690.4, 691-694

CPC H04N 1/00; H04N 1/12; H04N 1/00013;
H04N 1/00015; H04N 1/00018; H04N
1/00026; H04N 1/00557; H04N 1/00564;
H04N 1/00567; H04N 1/0057; H04N
1/00572; H04N 1/00586; H04N 1/00588;
H04N 1/00591; H04N 1/00594; H04N
1/00596; H04N 1/00604; H04N 1/00519;
H04N 1/00559; H04N 1/1013; H04N
1/10; H04N 1/00551; H04N 1/00278;
H04N 2201/0456; H04N 2201/0446;
H04N 2201/00; H04N 2201/0094; H04N
1/00602; H04N 1/00628; H04N 1/00795;
H04N 2201/0063; H04N 2201/0081;
G03G 15/0142; G03G 15/605; G03G
15/602; B65H 5/26; B65H 5/30; B65H

7/00; B65H 2402/515; B65H 2402/31;
B65H 2511/20; B65H 2511/414; B65H
2511/00194; B65H 2511/00198; B65H
2511/00202; B65H 2511/00206; B65H
2301/00; B65H 2220/04; B65H 3/5261;
B65H 2513/42; B65H 2801/39; B65H
2801/31; B65H 3/0684; B65H 3/063;
B65H 3/5284; B65H 2404/133; B65H
2404/694

See application file for complete search history.

(56) **References Cited**

U.S. PATENT DOCUMENTS

D293,578 S * 1/1988 Matsumoto D18/55
D323,850 S * 2/1992 Matsuo D18/54

(Continued)

Primary Examiner — Susan Moon Lee

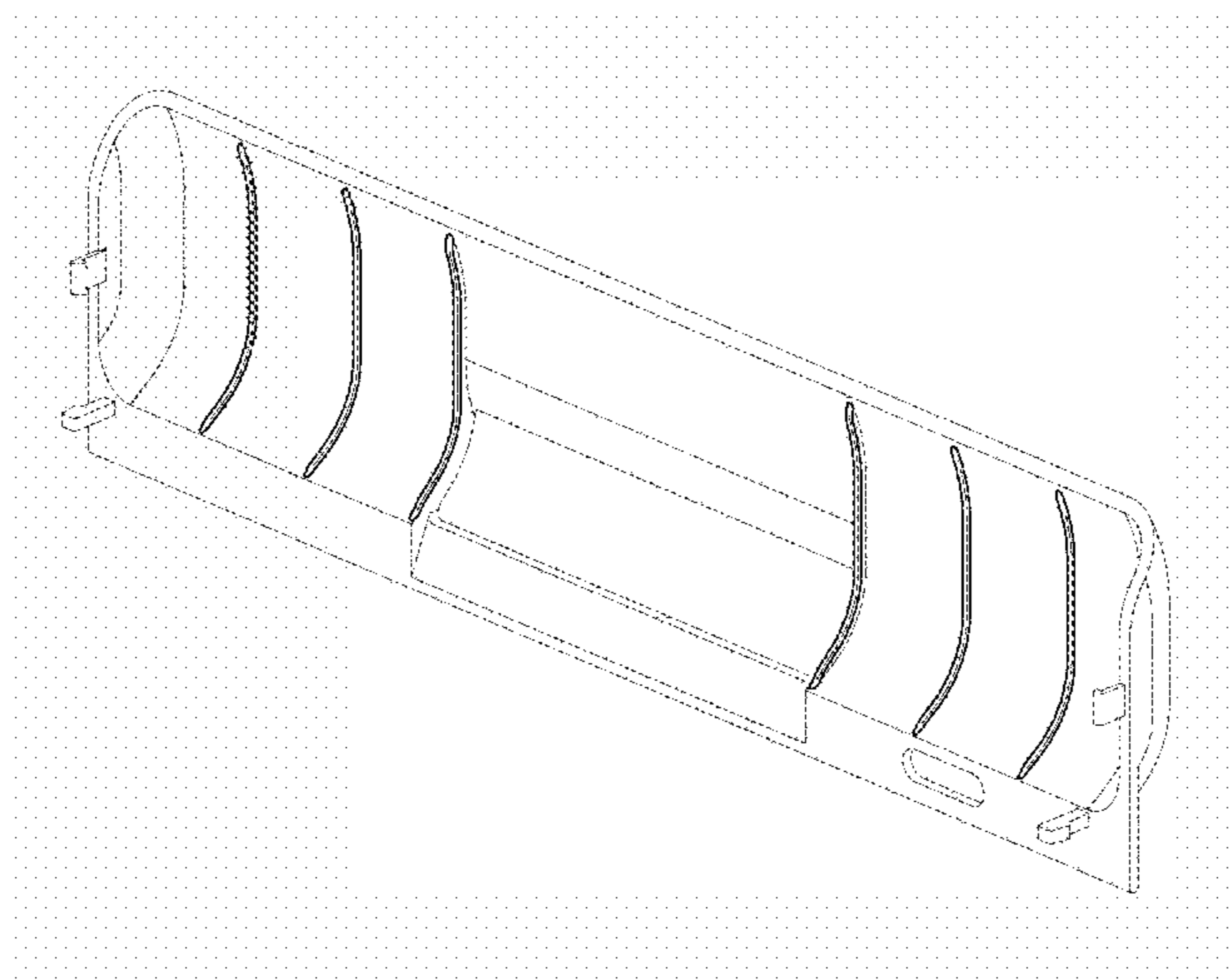
(57) **CLAIM**

The ornamental design for “paper support”, as shown and described.

DESCRIPTION

FIG. 1 is a top front right perspective view showing our new design;
FIG. 2 is a bottom rear right perspective view thereof;
FIG. 3 is a front view thereof;
FIG. 4 is a rear view thereof;
FIG. 5 is a left view thereof;
FIG. 6 is a right view thereof;
FIG. 7 is a top view thereof;
FIG. 8 is a bottom view thereof;
FIG. 9 is a top rear left perspective view of our new design installed on a scanner; and,
FIG. 10 is a top front left perspective view of our new design installed on a scanner.
The broken lines, which illustrate the environmental structure of the claimed design, form no part of the claimed design.

1 Claim, 8 Drawing Sheets



(56)

References Cited

U.S. PATENT DOCUMENTS

D335,894 S * 5/1993 Nishikaze D18/55
 D343,637 S * 1/1994 Umino D18/55
 D344,754 S * 3/1994 Parsey D18/49
 D378,927 S * 4/1997 Kasahara D18/50
 D390,593 S * 2/1998 Inoue D18/54
 D412,013 S * 7/1999 Karten D18/50
 D438,895 S * 3/2001 Pangburn D18/55
 D442,218 S * 5/2001 Kobayashi D18/55
 D450,344 S * 11/2001 Ito D18/40
 D478,594 S * 8/2003 Ichiyoshi D14/422
 D491,950 S * 6/2004 Perry D14/424
 D492,958 S * 7/2004 Karakama D18/40
 D530,364 S * 10/2006 Huang D18/55
 D530,739 S * 10/2006 Tsai D18/55
 D542,292 S * 5/2007 Kitamura D14/422
 7,265,869 B2 * 9/2007 Silverbrook B41J 2/0452
 358/1.12

7,290,952 B2 * 11/2007 Kagami B41J 13/106
 271/144
 D611,529 S * 3/2010 Mistyurik D18/50
 D637,191 S * 5/2011 Kuroda D14/422
 D680,157 S * 4/2013 Umezawa D18/34.3
 D689,865 S * 9/2013 Kitamura D14/422
 D689,866 S * 9/2013 Anzai D14/422
 D689,867 S * 9/2013 Yamaguchi D14/422
 D741,331 S * 10/2015 Ishibashi D14/421
 D761,354 S * 7/2016 Ozawa D18/56
 D788,217 S * 5/2017 Moon D18/56
 9,840,384 B2 * 12/2017 Sheng B65H 3/0684
 2011/0211034 A1 * 9/2011 Katayama B41J 3/4075
 347/220
 2012/0132370 A1 * 5/2012 Chen B65C 11/0289
 156/378
 2014/0251549 A1 * 9/2014 Ho B41J 29/00
 156/759

* cited by examiner

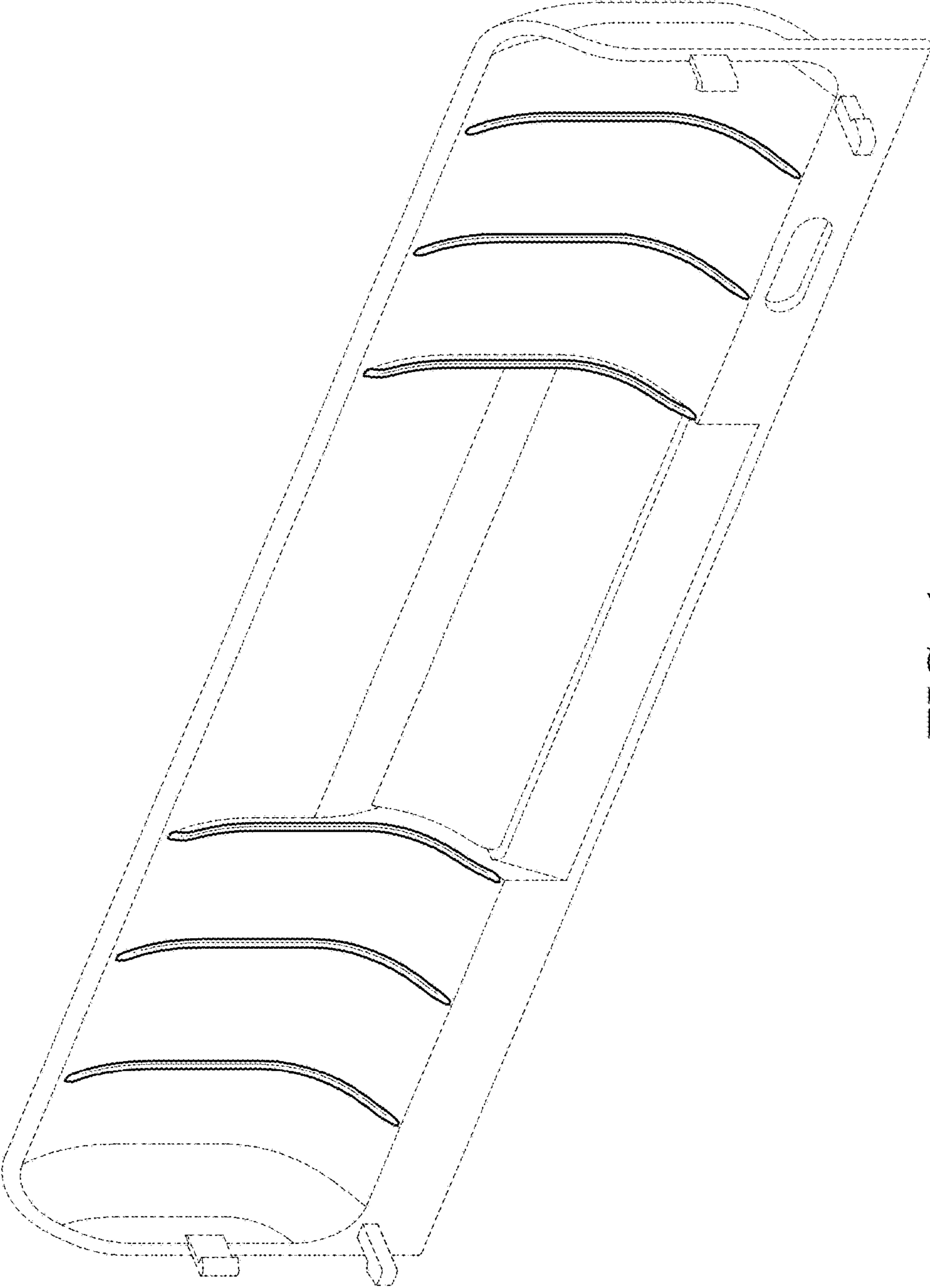


FIG. 1

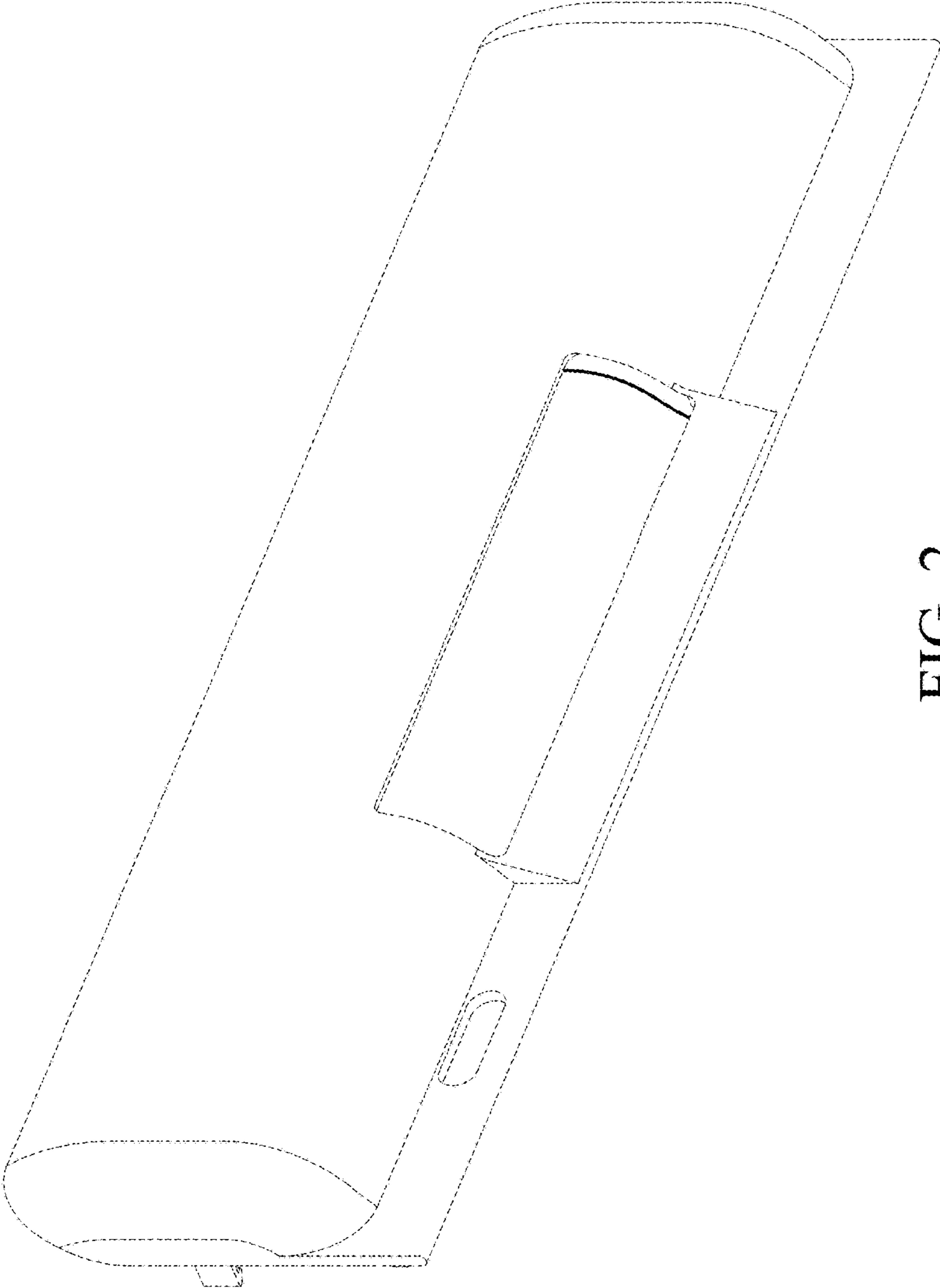


FIG. 2

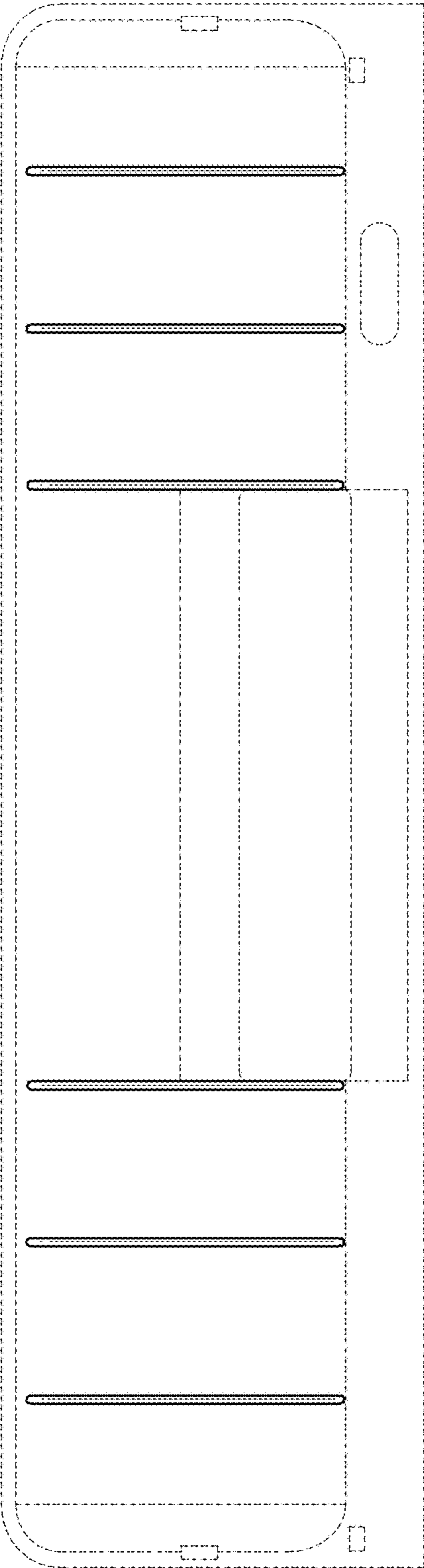


FIG. 3

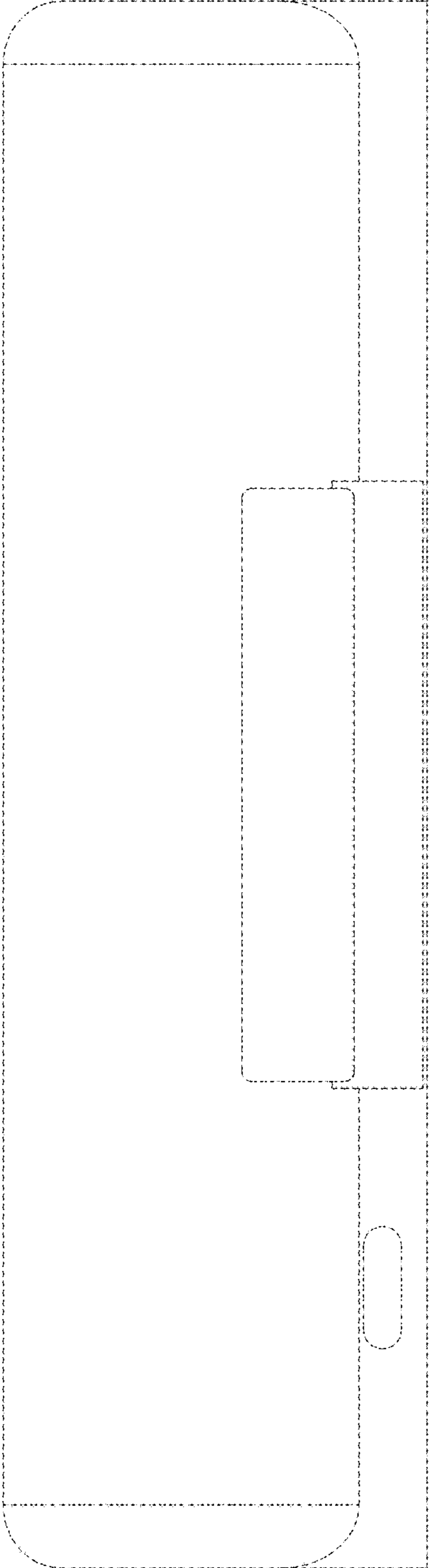


FIG. 4

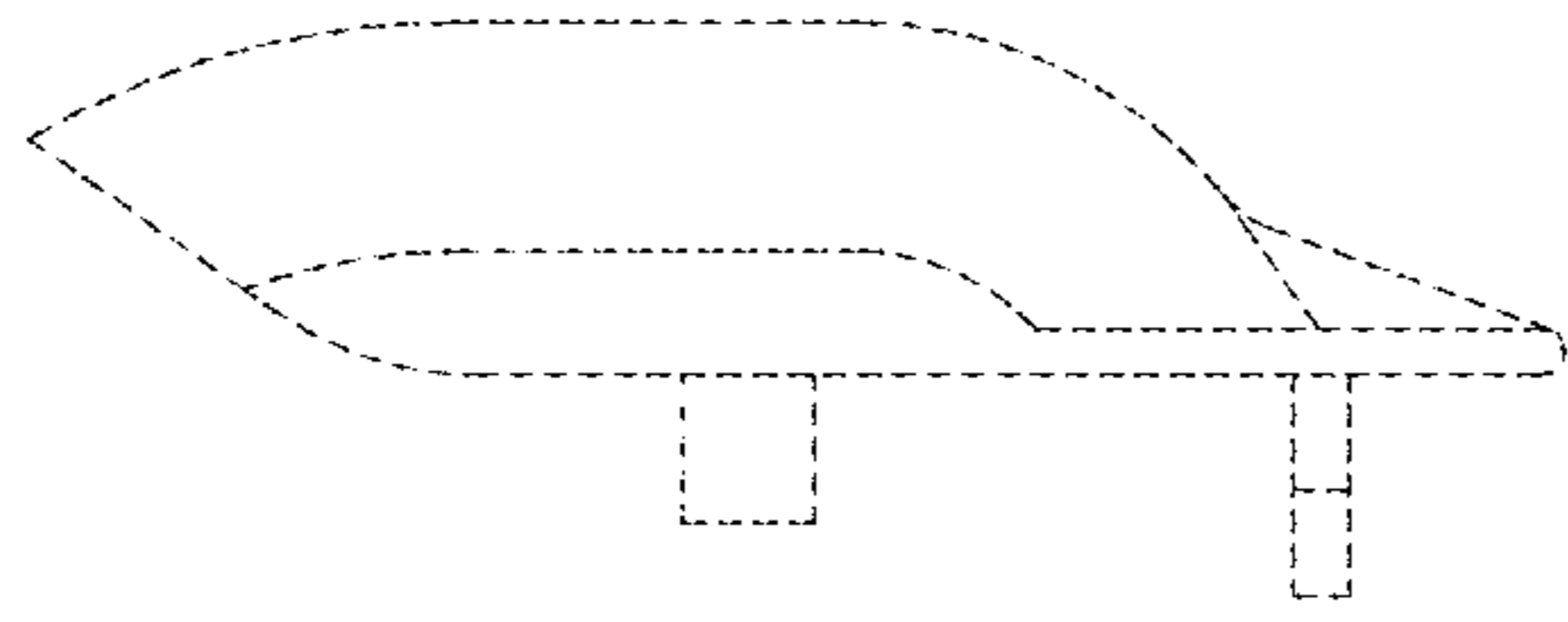


FIG. 6

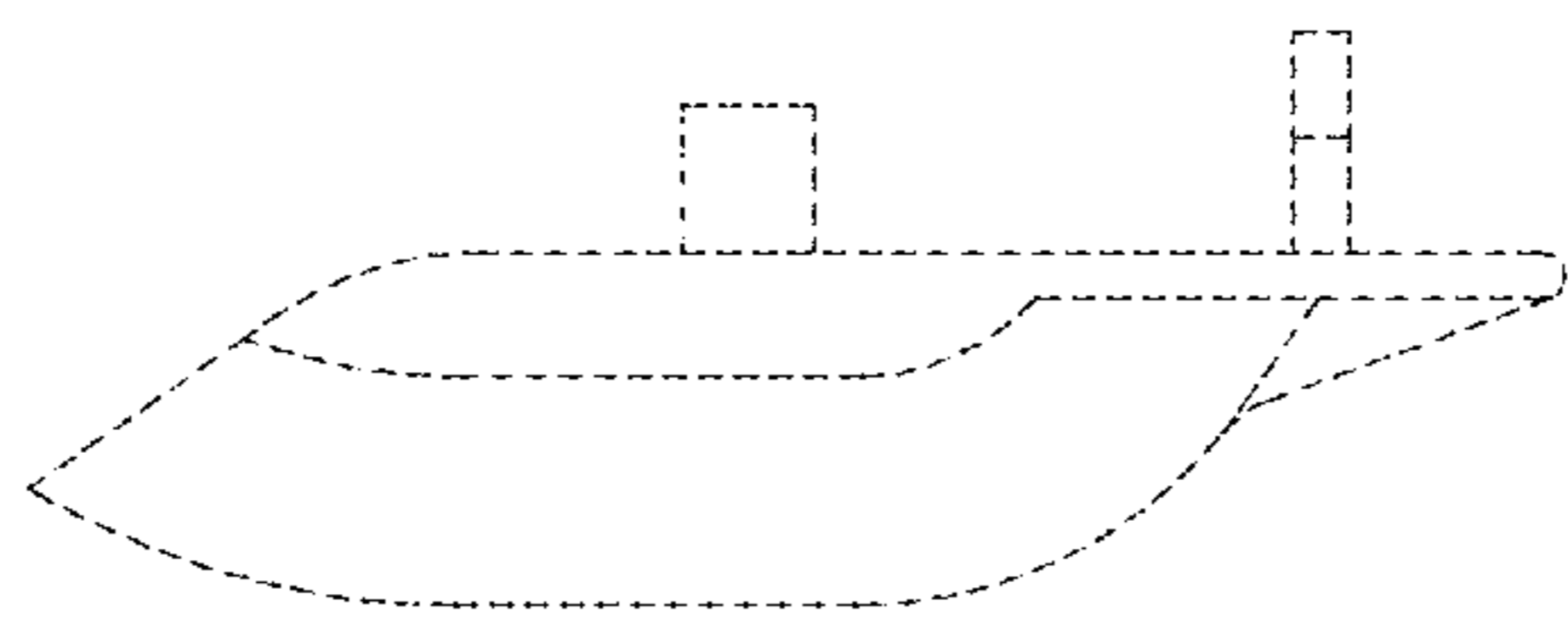


FIG. 5

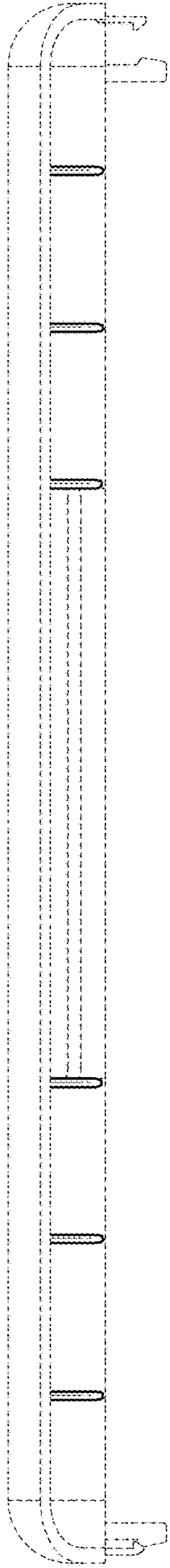


FIG. 7

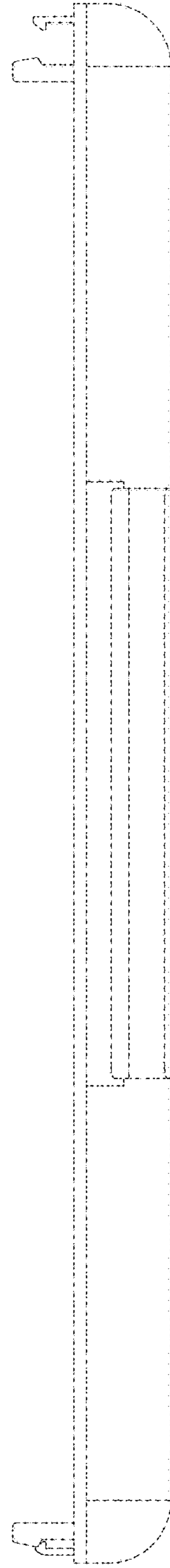


FIG. 8

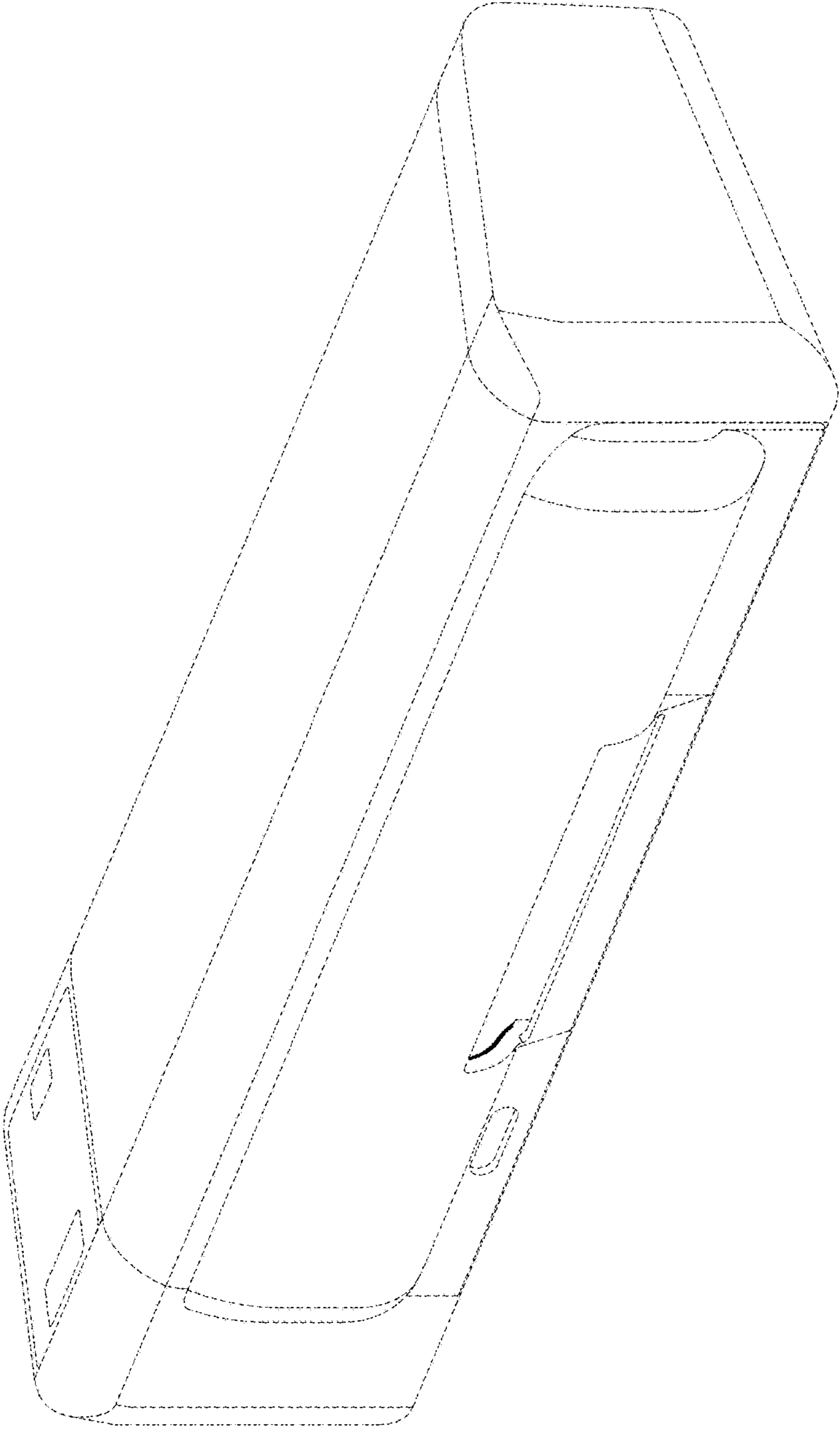


FIG. 9

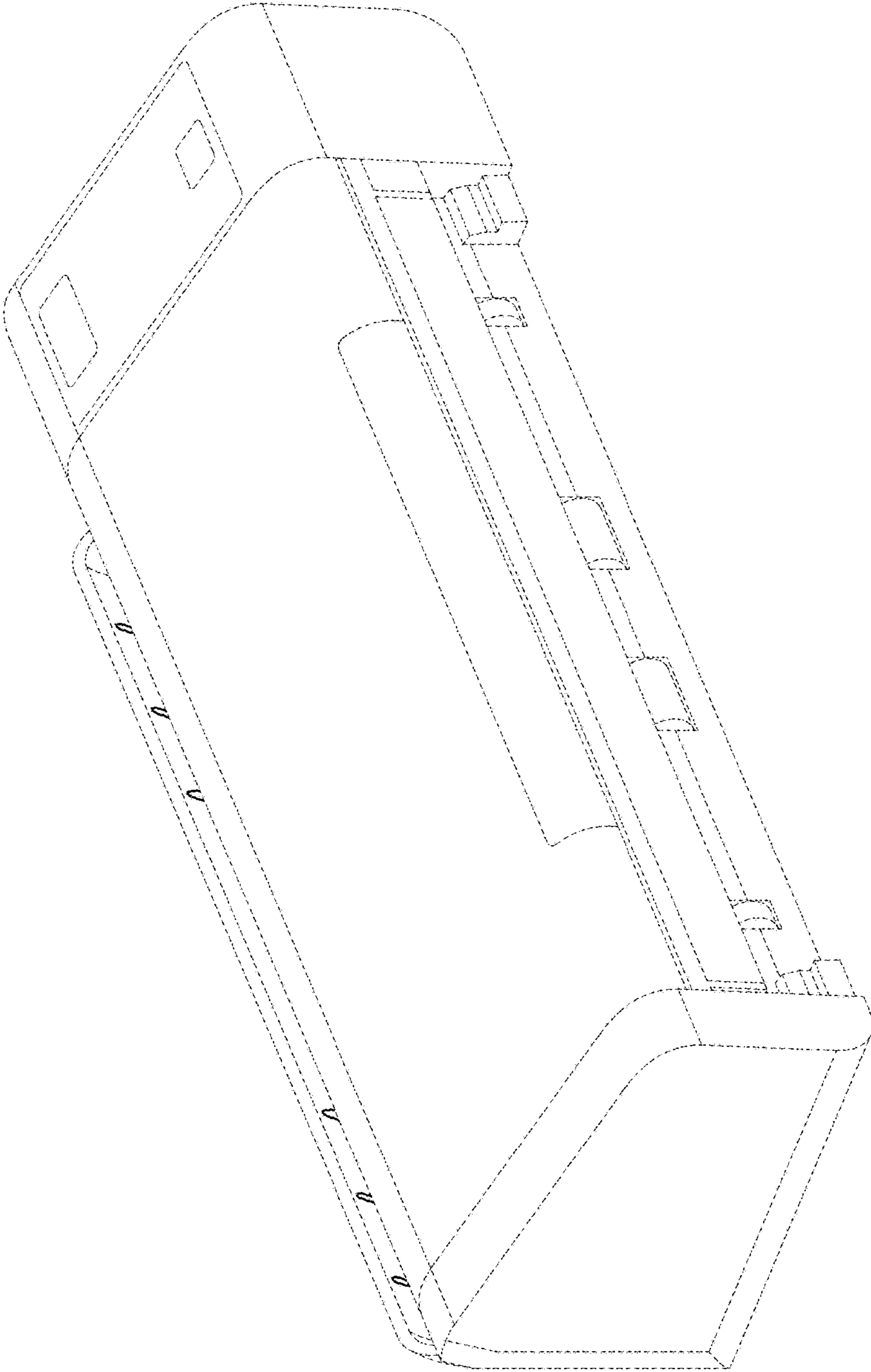


FIG. 10