



US00D837802S

(12) **United States Design Patent** (10) **Patent No.:** **US D837,802 S**  
**Peng et al.** (45) **Date of Patent:** **\*\* Jan. 8, 2019**

(54) **PAPER SUPPORT**

B65H 2511/20; B65H 2511/414; B65H 2511/00194; B65H 2511/00198; B65H 2511/00202; B65H

(71) Applicant: **AVISION INC.**, Hsinchu (TW)

(Continued)

(72) Inventors: **Chao-Yu Peng**, Hsinchu (TW);  
**Chi-Yao Chen**, Miaoli County (TW);  
**Hsin-Chen Lee**, Hsinchu (TW)

(56) **References Cited**

(73) Assignee: **Avision Inc.** (TW)

U.S. PATENT DOCUMENTS

(\*\*) Term: **15 Years**

D286,639 S \* 11/1986 Strand ..... D18/55  
D339,576 S \* 9/1993 Sawada ..... D14/462

(Continued)

(21) Appl. No.: **29/602,638**

*Primary Examiner* — Susan Moon Lee

(22) Filed: **May 2, 2017**

(51) **LOC (11) Cl.** ..... **14-02**

(57) **CLAIM**

(52) **U.S. Cl.**

The ornamental design for “paper support,” as shown and described.

USPC ..... **D14/453**

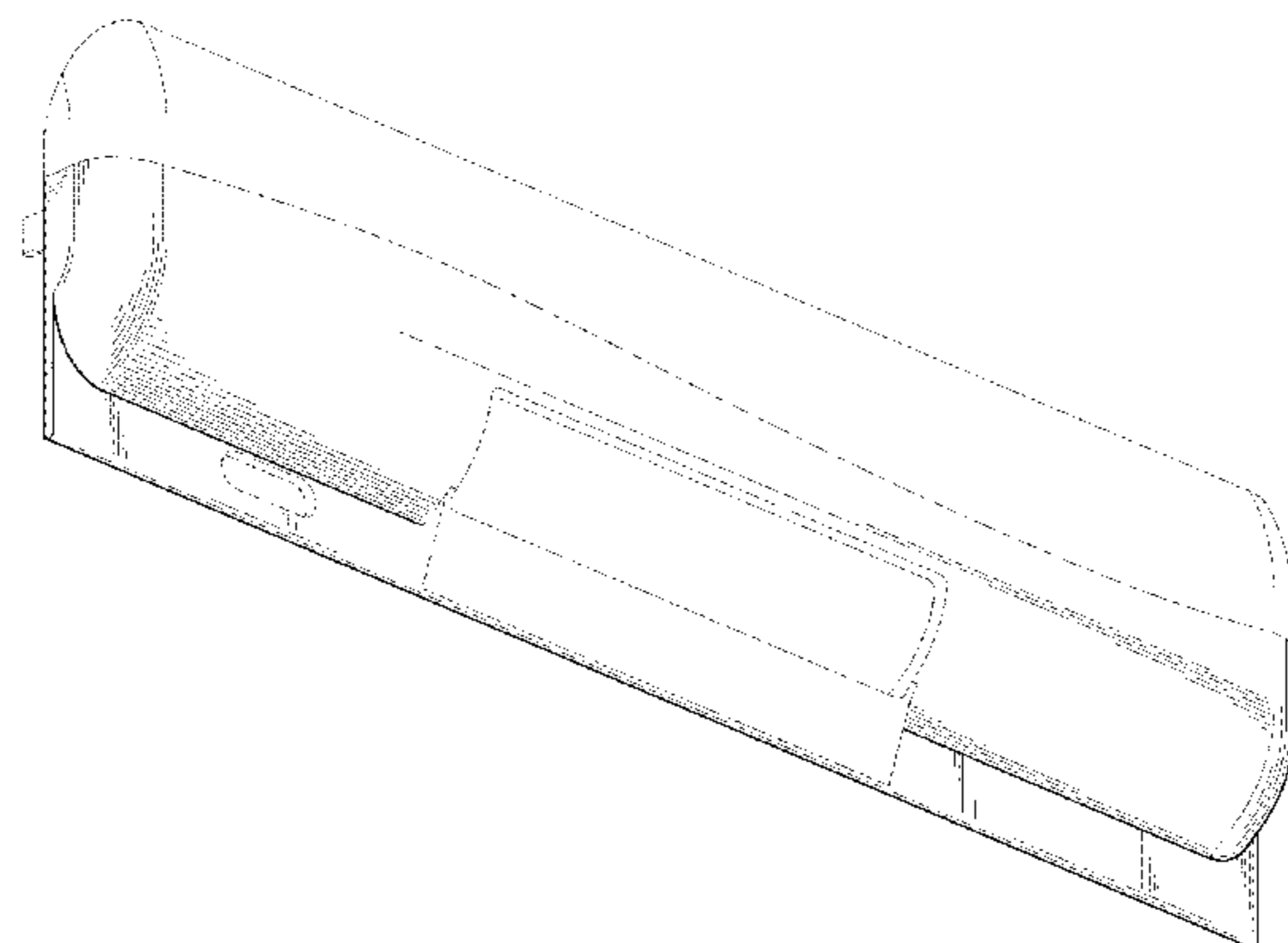
(58) **Field of Classification Search**

**DESCRIPTION**

USPC ..... D14/421–425, 453, 462–471, 356;  
D18/40, 36–39, 41, 44–56, 18–21, 34.9,  
D18/59; 235/462, 455, 470, 462.43, 482,  
235/483; 358/474, 486, 488, 496, 498,  
358/452, 449, 451, 453.1, 1.13; 318/685,  
318/696; 355/81, 75; 399/405, 367, 379,  
399/380; 382/217; 715/209, 222, 226,  
715/274; 400/613, 613.1–613.4,  
400/690.1–690.4, 691–694; 271/145  
CPC ..... H04N 1/00; H04N 1/12; H04N 1/00013;  
H04N 1/00015; H04N 1/00018; H04N  
1/00026; H04N 1/00557; H04N 1/00564;  
H04N 1/00567; H04N 1/0057; H04N  
1/00572; H04N 1/00586; H04N 1/00588;  
H04N 1/00591; H04N 1/00594; H04N  
1/00596; H04N 1/00604; H04N 1/00519;  
H04N 1/00559; H04N 1/1013; H04N  
1/10; H04N 1/00551; H04N 1/00278;  
H04N 2201/0456; H04N 2201/0446;  
H04N 2201/00; H04N 2201/0094; H04N  
1/00602; H04N 1/00628; H04N 1/00795;  
H04N 2201/0063; H04N 2201/0081;  
G03G 15/0142; G03G 15/605; G03G  
15/602; B65H 5/26; B65H 5/30; B65H  
7/00; B65H 2402/515; B65H 2801/31;

FIG. 1 is a bottom front left perspective view showing our new design,  
FIG. 2 is a top rear right perspective view thereof;  
FIG. 3 is a front view thereof;  
FIG. 4 is a rear view thereof;  
FIG. 5 is a left side view thereof;  
FIG. 6 is a right side view thereof;  
FIG. 7 is a top view thereof;  
FIG. 8 is a bottom view thereof;  
FIG. 9 is a top front right perspective view of our new design installed on a scanner; and,  
FIG. 10 is a top rear right perspective view of our new design installed on a scanner.  
The broken lines, which illustrate the environmental structure of the claimed design, form no part of the claimed design.  
The dot-dash lines are boundary lines which define the bounds of the claimed design. These boundary lines do not exist in reality in the article embodying the design. It is understood that the claimed design extends to these boundaries but do not include the boundaries.

**1 Claim, 8 Drawing Sheets**



(58) **Field of Classification Search**

CPC . 2511/00206; B65H 2301/00; B65H 2220/04;  
B65H 3/5261; B65H 2513/42; B65H  
2801/39; B65H 2402/31; B65H 3/0684;  
B65H 3/063; B65H 3/5284; B65H  
2404/133; B65H 2404/694

See application file for complete search history.

(56) **References Cited**

U.S. PATENT DOCUMENTS

D401,965 S \* 12/1998 Pangburn ..... D18/55  
D441,012 S \* 4/2001 Kawahara ..... D18/55  
D441,783 S \* 5/2001 Kawahara ..... D18/55  
D479,852 S \* 9/2003 Odman ..... D18/34.9  
D482,387 S \* 11/2003 Tatara ..... D18/55  
6,899,422 B2 \* 5/2005 Strowe ..... B41J 29/13  
347/108  
D514,161 S \* 1/2006 Wong ..... D18/55  
D517,119 S \* 3/2006 Suzuki ..... D18/50  
D716,305 S \* 10/2014 Tani ..... D14/422  
D771,181 S \* 11/2016 Jung ..... D18/50  
D780,181 S \* 2/2017 Peng ..... D14/422  
9,840,384 B2 \* 12/2017 Sheng ..... B65H 3/0684  
2008/0084021 A1 \* 4/2008 Nakamura ..... B65H 1/04  
271/145

\* cited by examiner

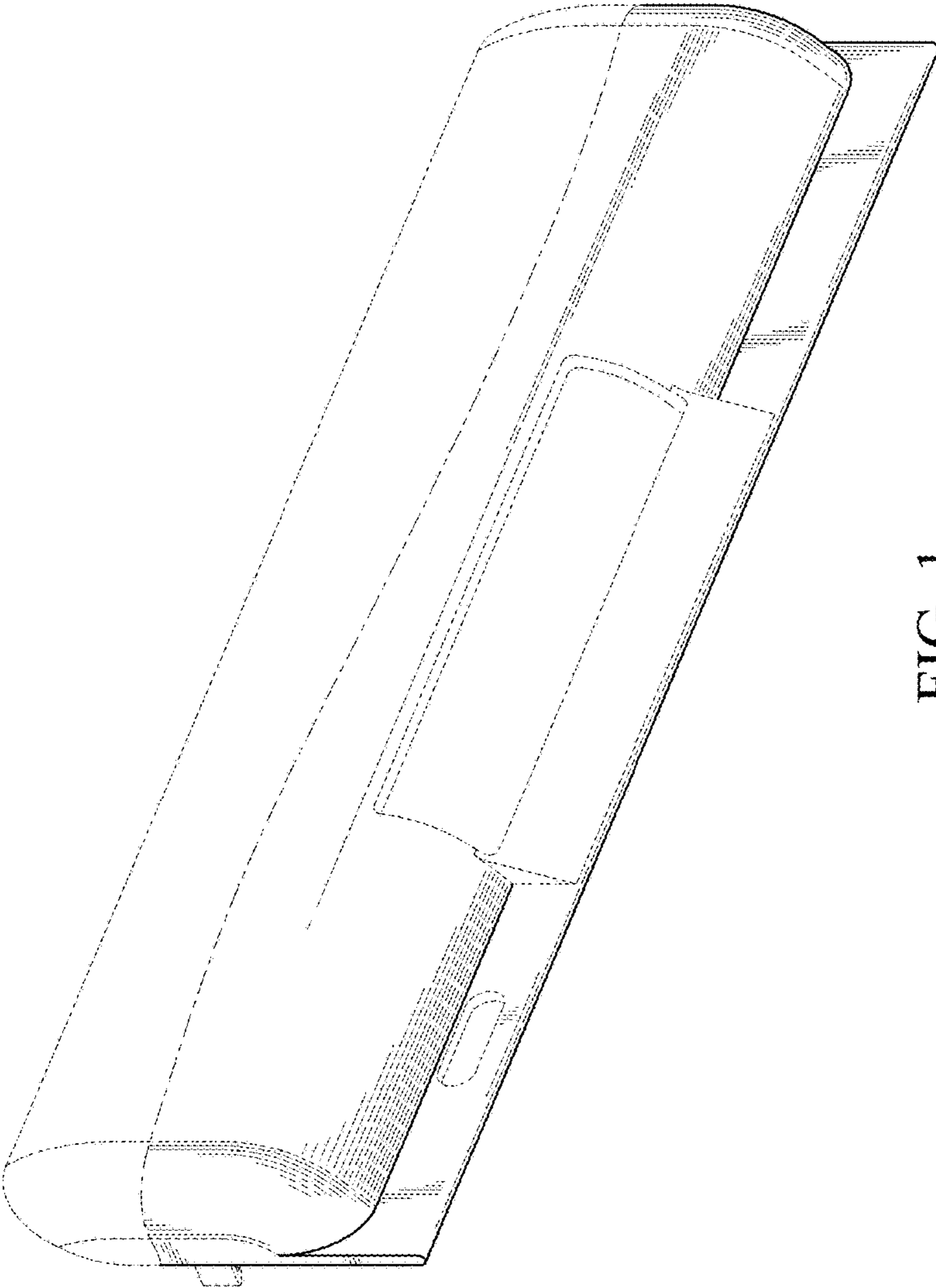


FIG. 1

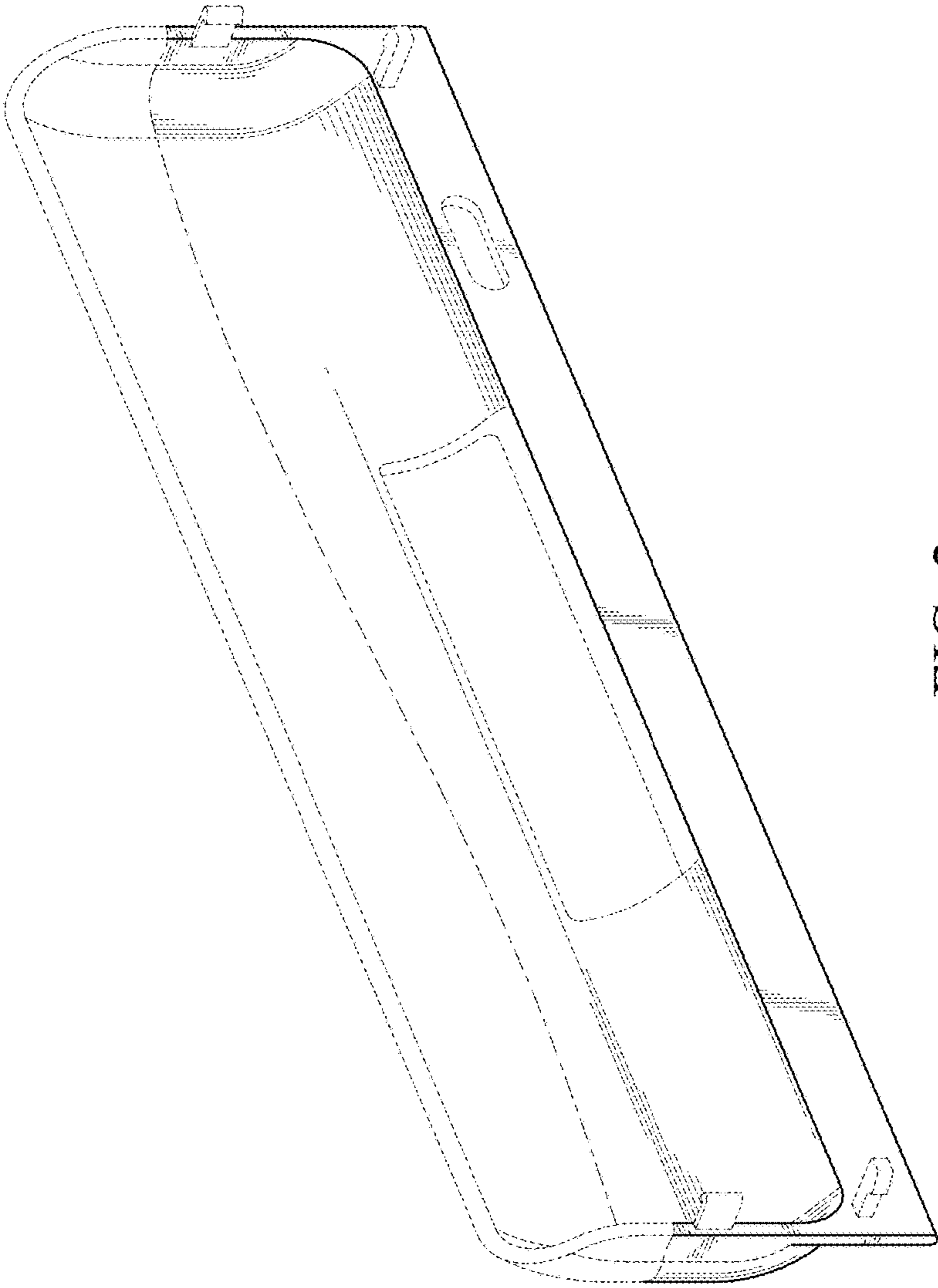


FIG. 2

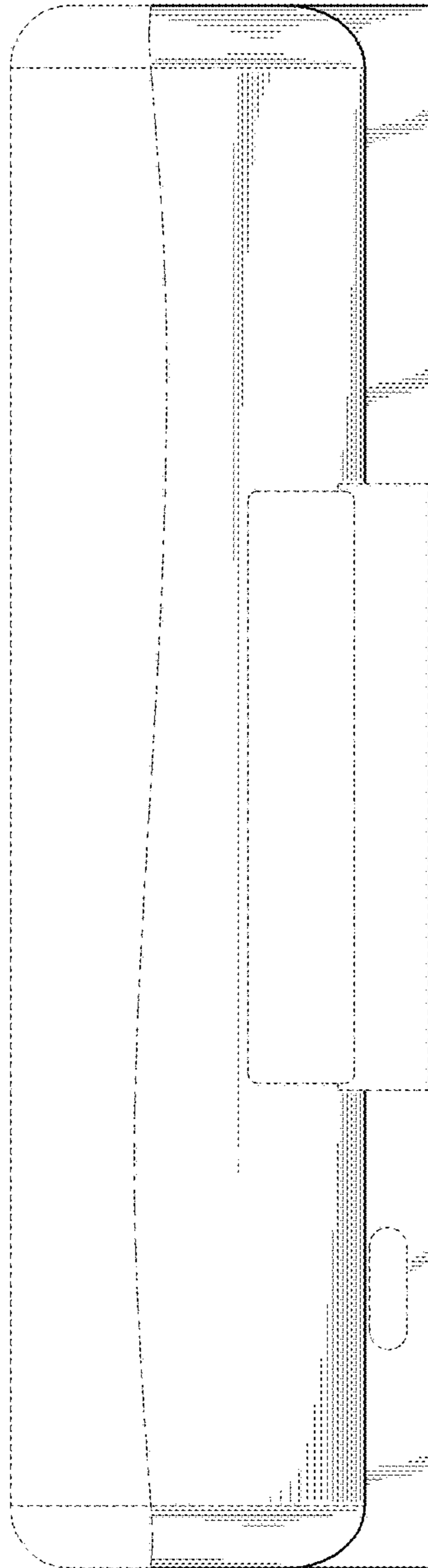


FIG. 3

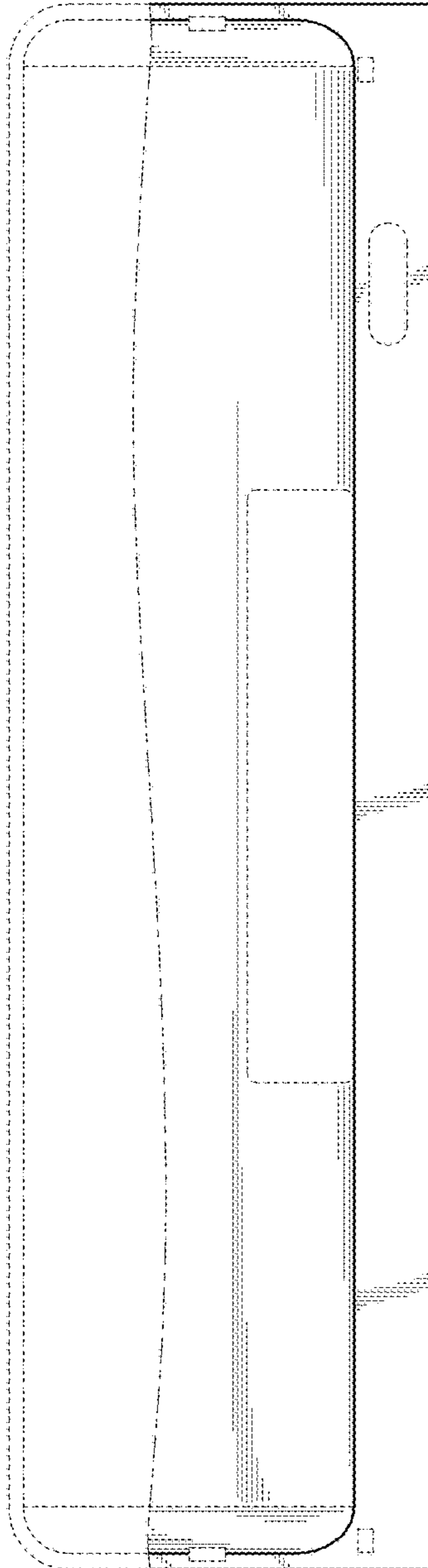


FIG. 4

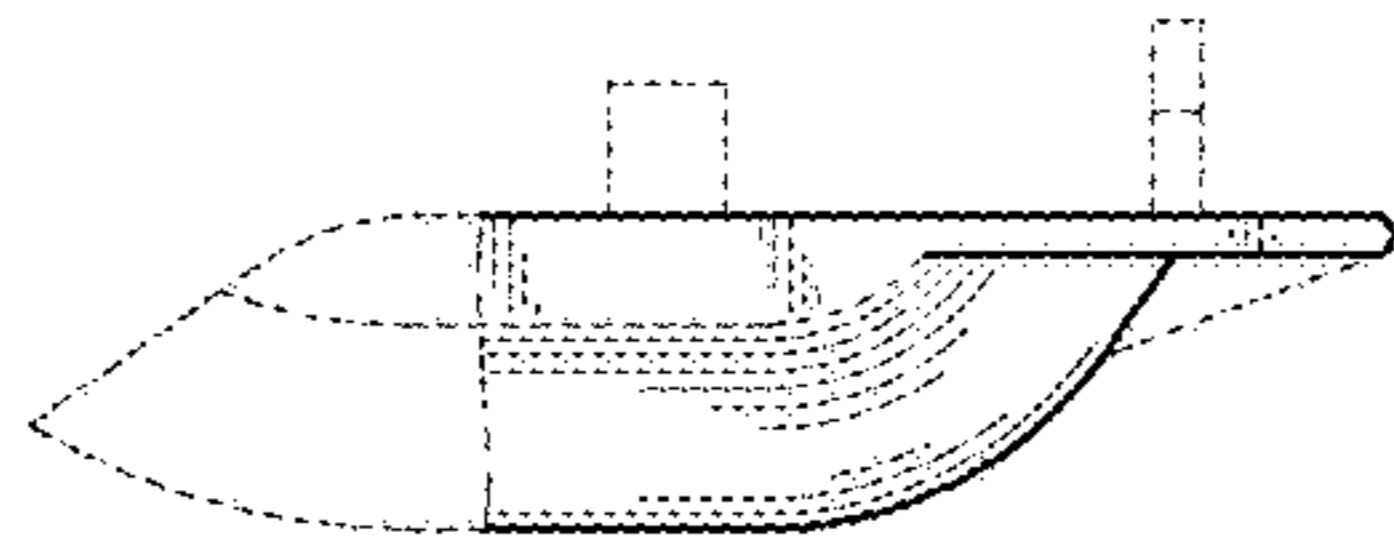


FIG. 5

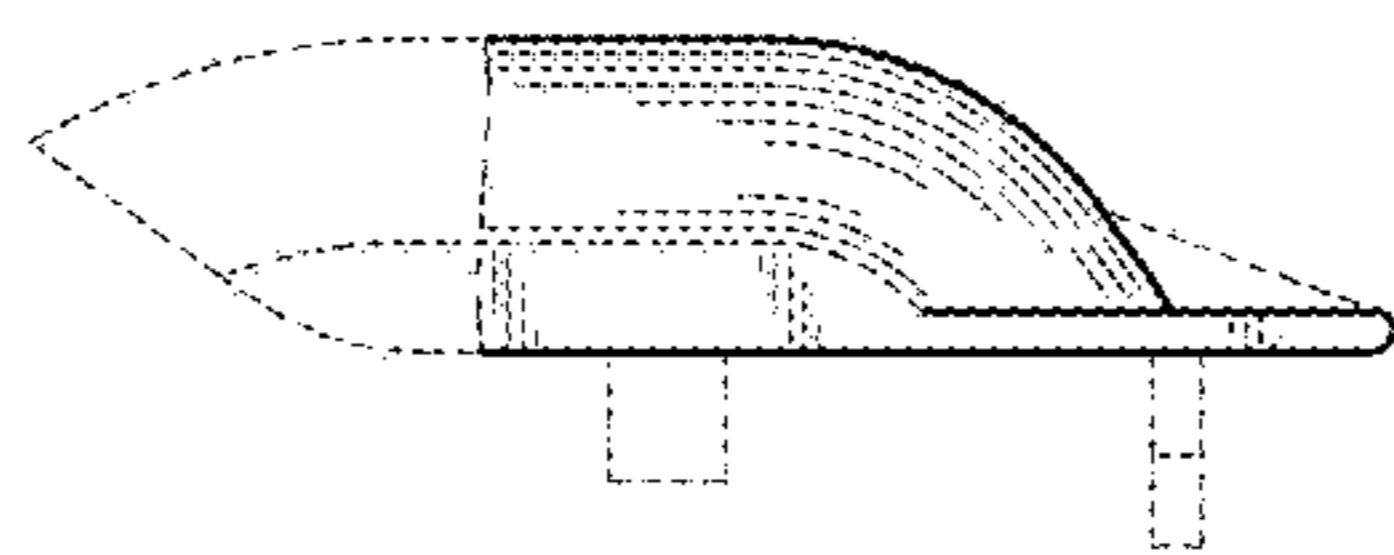


FIG. 6

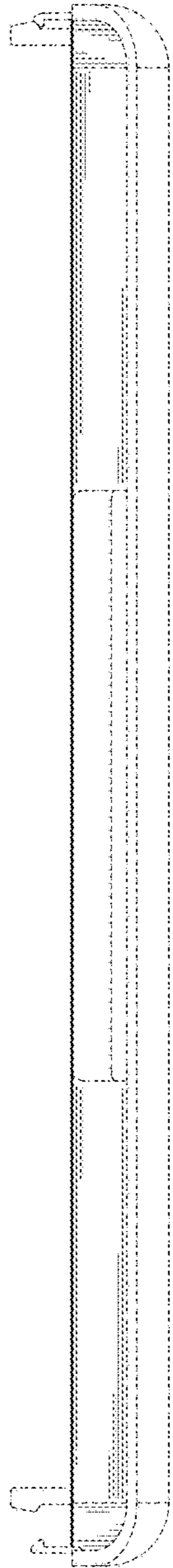


FIG. 7

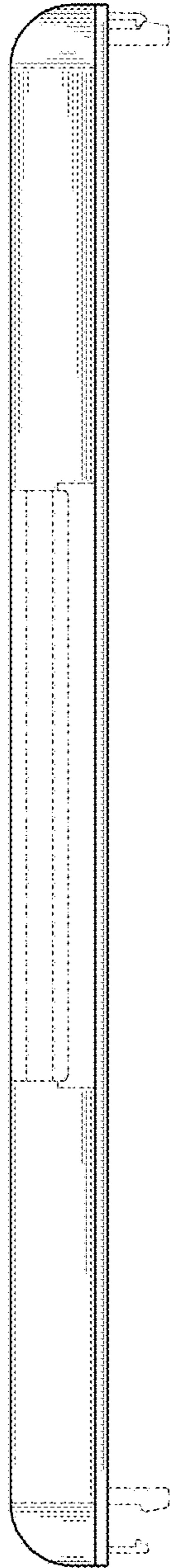


FIG. 8



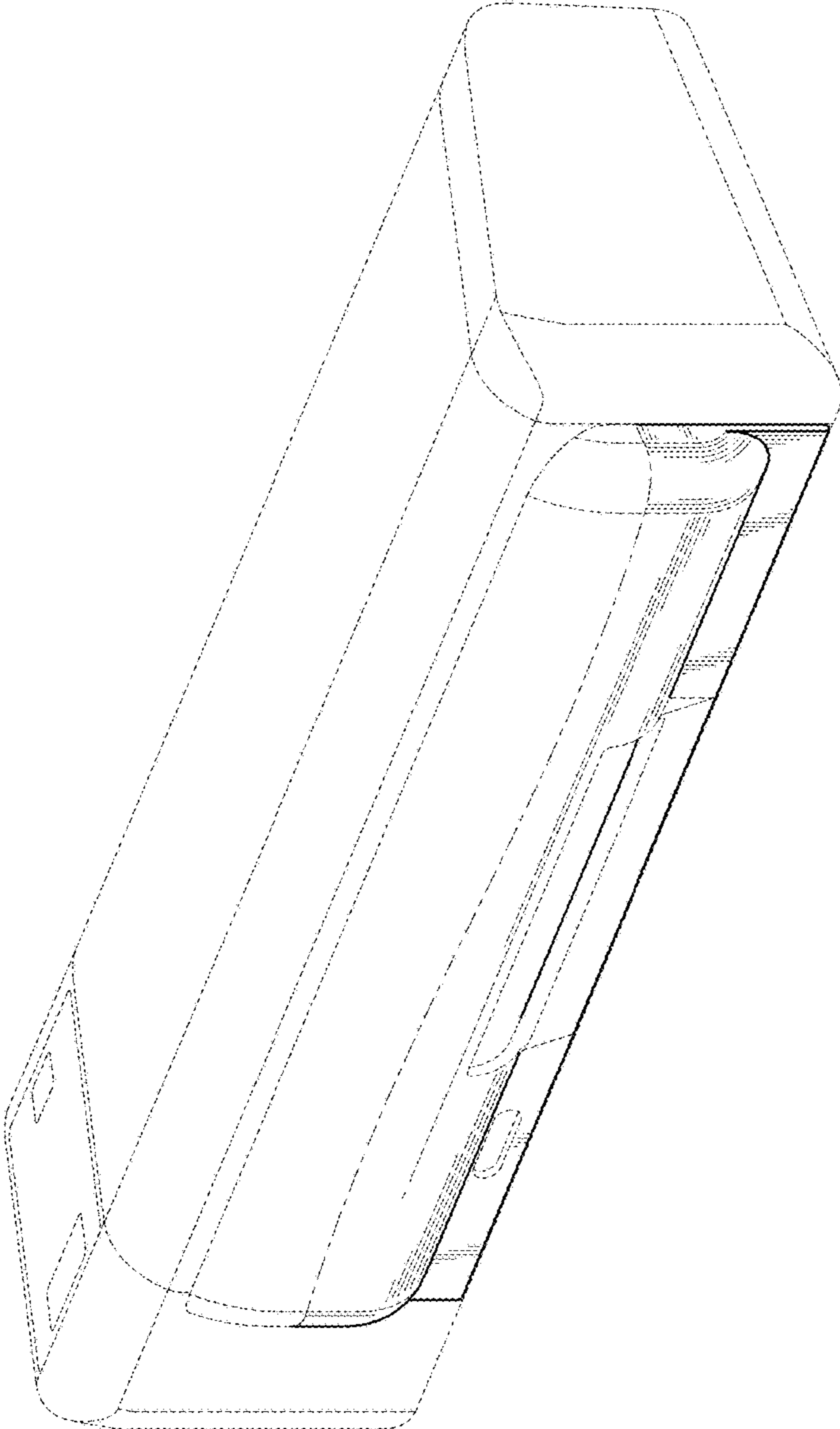


FIG. 9

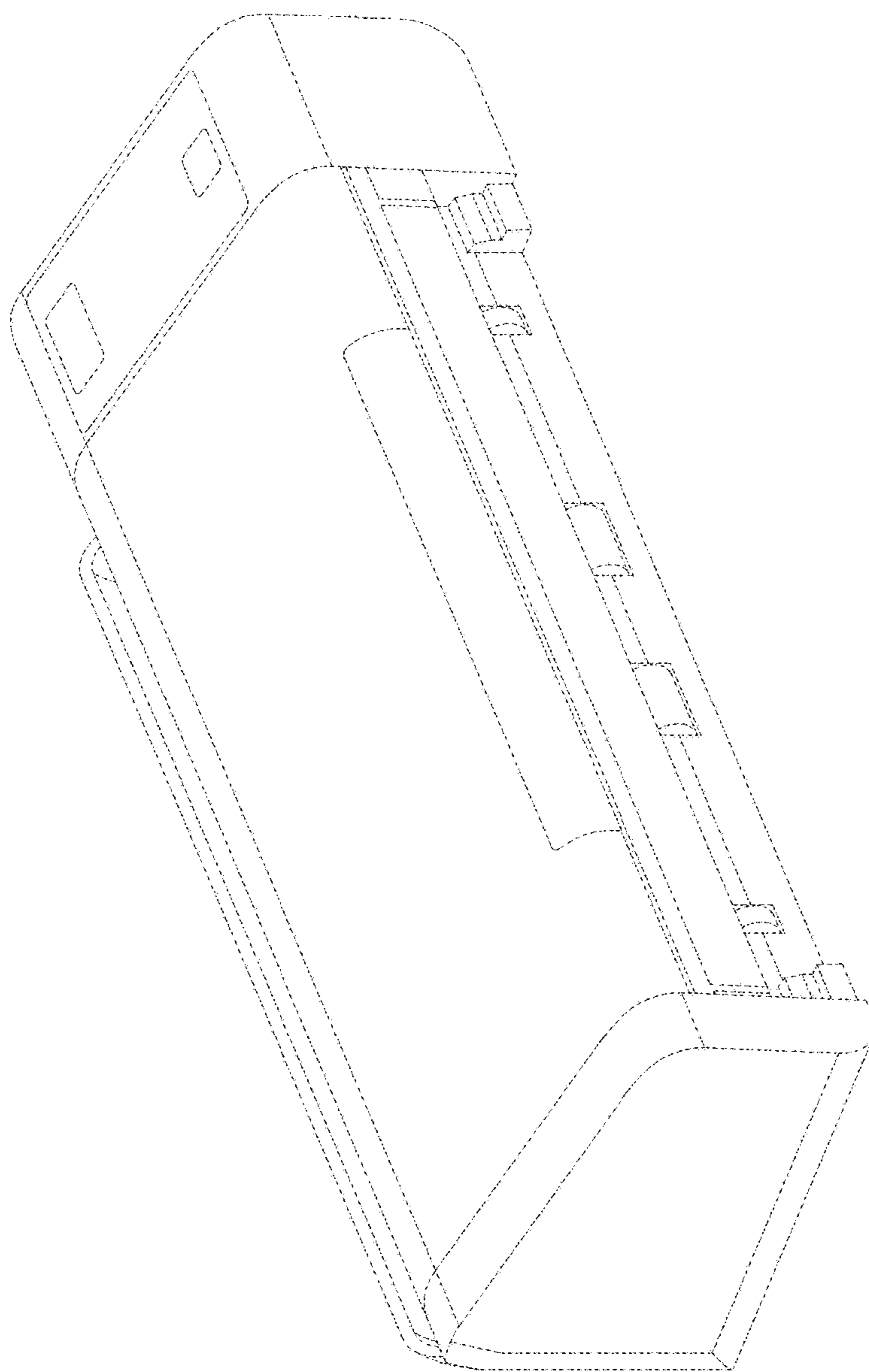


FIG. 10