



US00D837801S

(12) **United States Design Patent** (10) **Patent No.:** **US D837,801 S**
Allgaier et al. (45) **Date of Patent:** **** Jan. 8, 2019**

(54) **MONITOR CONSOLE**

A47B 88/044; A47B 2021/0335; H02G
3/126; F16B 47/00; F16B 47/006; A47G
1/17; A47K 2201/00

(71) Applicant: **Precision Planting LLC**, Tremont, IL
(US)

See application file for complete search history.

(72) Inventors: **Ryan Allgaier**, East Peoria, IL (US);
Chad Plattner, Tremont, IL (US)

(56) **References Cited**

U.S. PATENT DOCUMENTS

(73) Assignee: **Precision Planting LLC**, Tremont, IL
(US)

D266,507	S	*	10/1982	Cavanagh	D14/251
5,623,869	A	*	4/1997	Moss	A47B 23/002 108/43
D386,153	S	*	11/1997	Crump	D14/356
D390,314	S	*	2/1998	Chen	D34/23
D396,848	S	*	8/1998	Hill	D14/362
D400,168	S	*	10/1998	Kuczyk	D13/110
D427,095	S	*	6/2000	Ishikawa	D10/92
D457,883	S	*	5/2002	Sugioka	D14/342
D473,562	S	*	4/2003	Russell	D14/447
7,121,214	B1	*	10/2006	Toltzman	A47B 23/002 108/43

(**) Term: **15 Years**

(21) Appl. No.: **29/633,656**

(22) Filed: **Jan. 15, 2018**

(51) **LOC (11) Cl.** **14-02**

(52) **U.S. Cl.**

USPC **D14/451**

(58) **Field of Classification Search**

USPC D14/371-382, 125-129, 335-337,
D14/447-452, 492, 239, 457, 439-441,
D14/432, 251-253, 362, 365; D8/349,
D8/354, 363, 373, 376, 380; 348/180,
348/184, 325, 739, 825; D12/407, 415;
D3/218; 341/12

CPC G06F 3/0412; G06F 3/016; G06F 3/0488;
G06F 3/011; G06F 3/038; G06F 3/03543;
G06F 3/0338; G06F 3/0202; G06F
3/0219; G06F 3/0213; G06F 1/1616;
G06F 3/023; G06F 3/04883; G02F
1/13338; G02F 1/1313; G02F 1/1333;
G02F 1/135; G02F 1/132; G02F
1/133308; G02F 1/134309; G02F
1/13718; G09G 3/3648; G06K 15/1252;
B41J 2/465; G03F 7/70291; G02B
27/0172; G02B 5/30; G02B 2027/0118;
G02B 27/0101; F16M 13/02; F16M
13/00; F16M 11/10; F16M 11/04; F16M
2200/08; F16M 11/2021; A47B 21/0314;

(Continued)

Primary Examiner — Katie Jane Stofko

(74) *Attorney, Agent, or Firm* — Thomas J. Oppold;
Larkin Hoffman Daly & Lindgren, Ltd.

(57) **CLAIM**

The ornamental design for a monitor console, as shown and described.

DESCRIPTION

FIG. 1 is a front perspective view of a monitor console of the present design.

FIG. 2 is a rear perspective view thereof.

FIG. 3 is a front elevation view thereof.

FIG. 4 is a rear elevation view thereof.

FIG. 5 left side elevation view thereof.

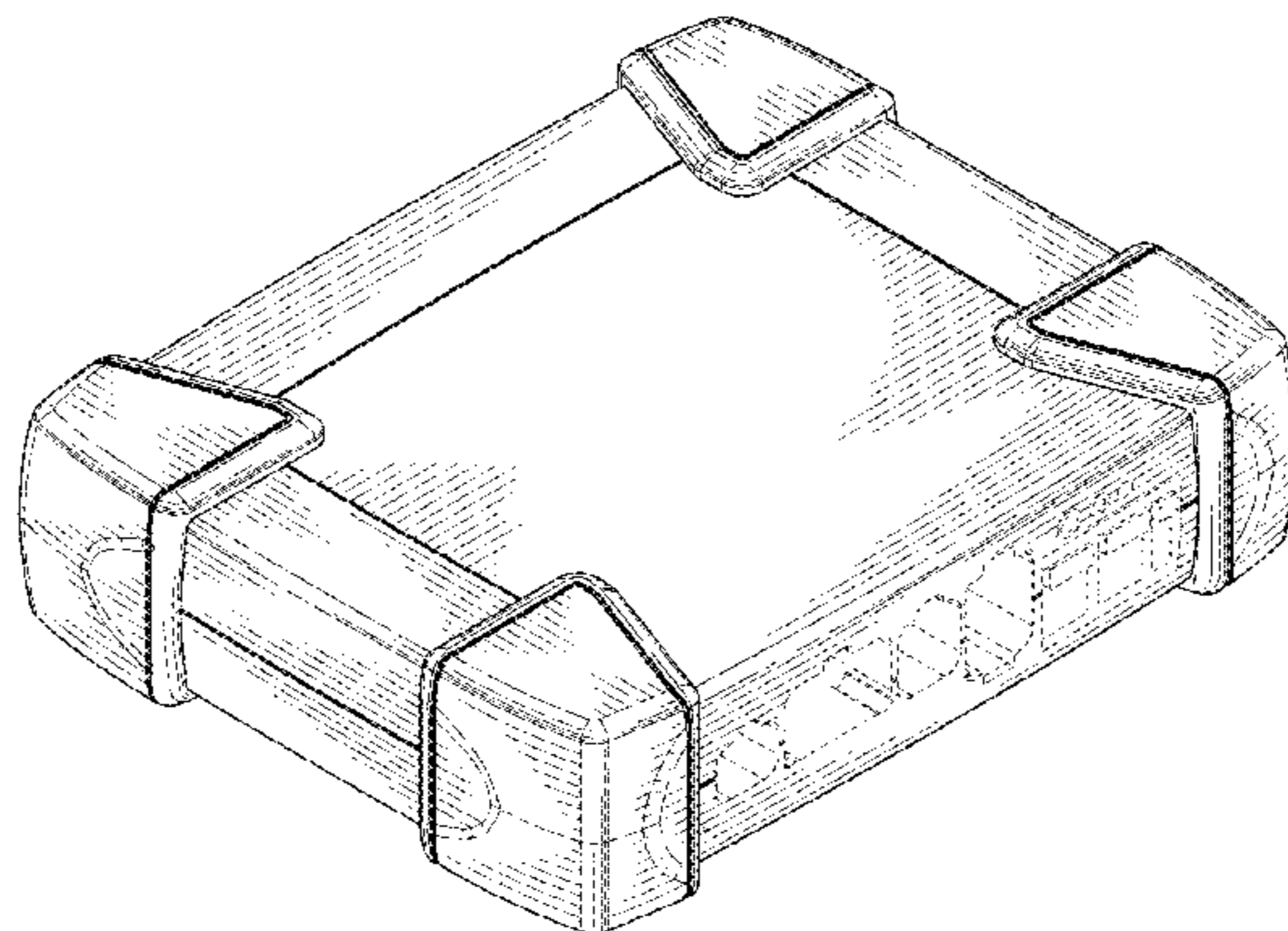
FIG. 6 is a right side elevation view thereof.

FIG. 7 is a top plan view thereof; and,

FIG. 8 is a bottom plan view thereof.

The broken lines in FIGS. 2 and 4 illustrate portions of the monitor console that form no part of the claimed design.

1 Claim, 6 Drawing Sheets



(56)

References Cited

U.S. PATENT DOCUMENTS

7,161,799 B2 * 1/2007 Lim G06F 1/203
248/205.2
D554,135 S * 10/2007 Lim D14/447
D594,009 S * 6/2009 Nakano D14/315

* cited by examiner

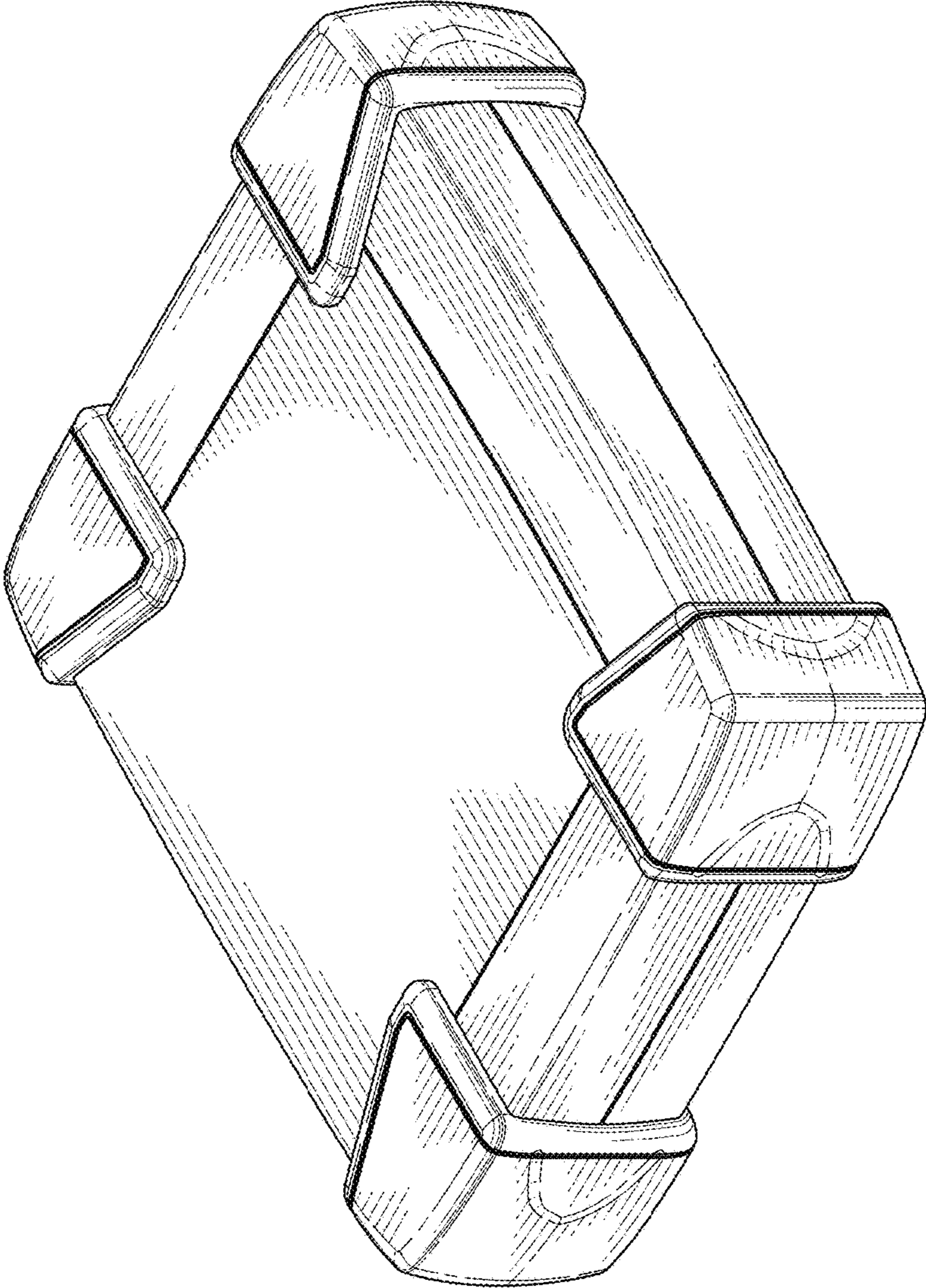


FIG. 1

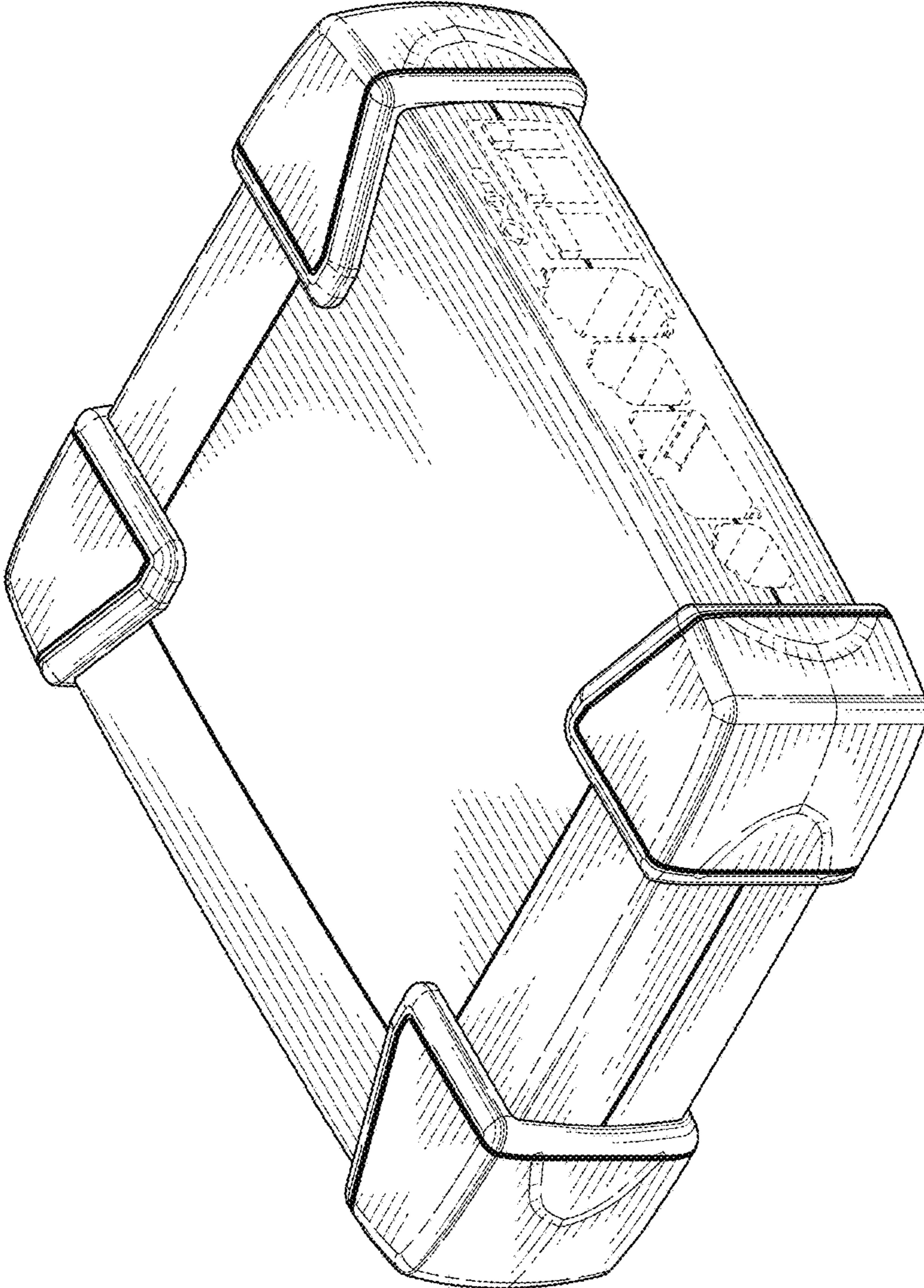


FIG. 2

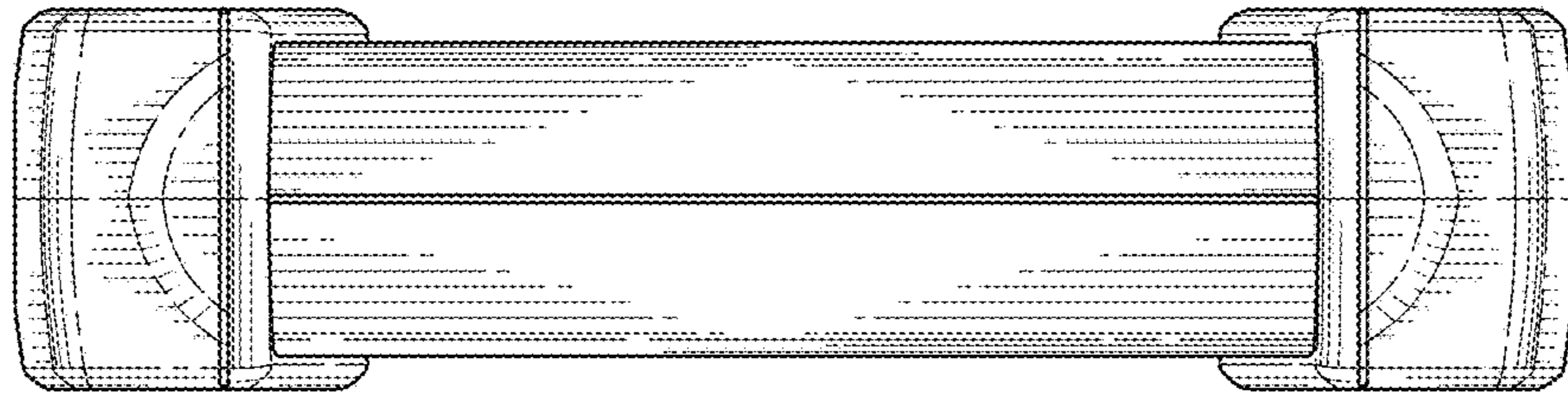


FIG. 3

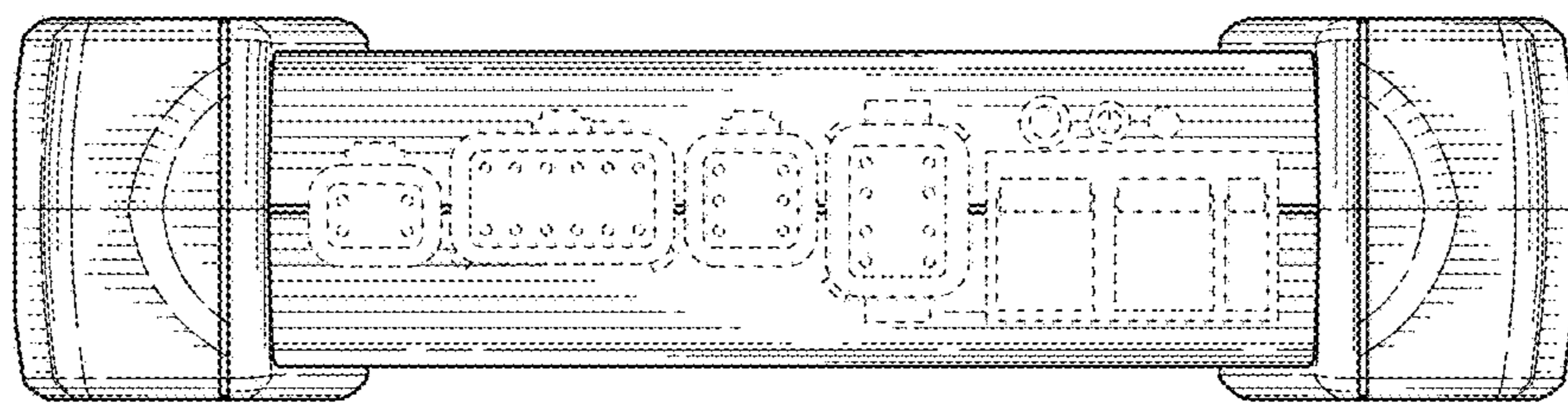


FIG. 4

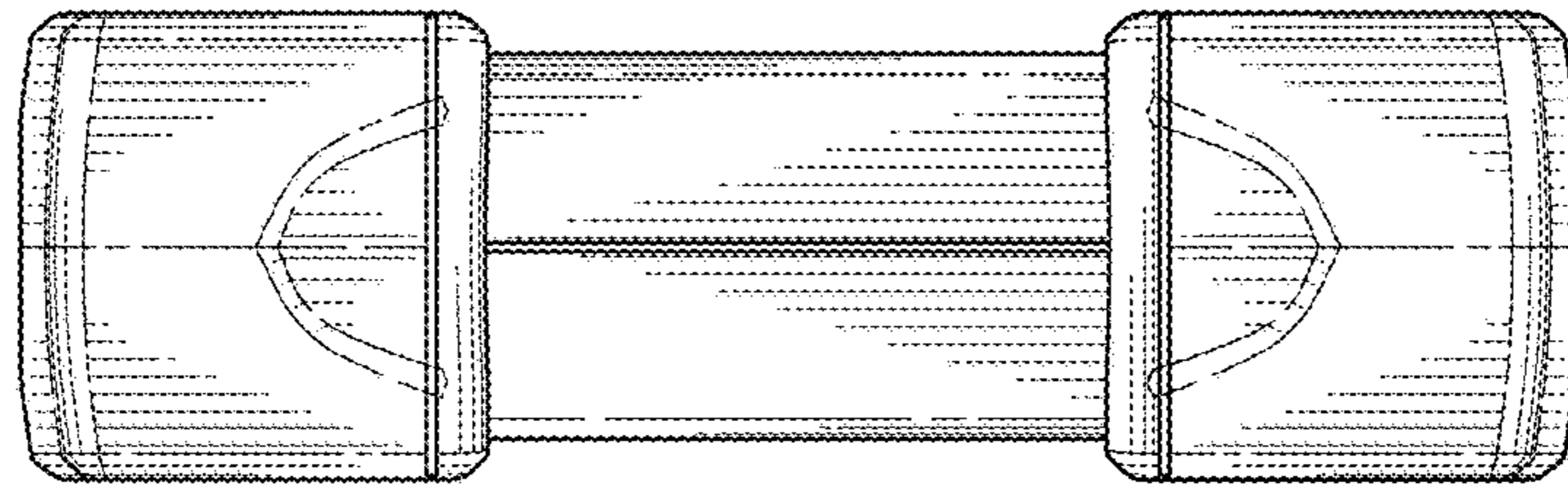


FIG. 5

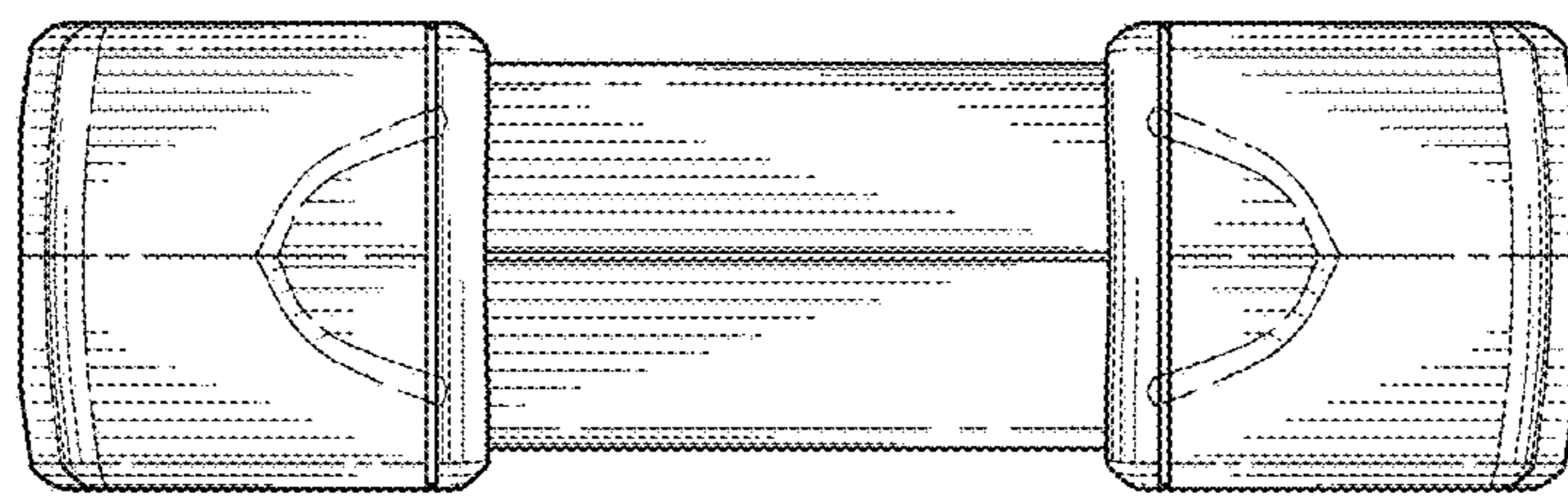


FIG. 6

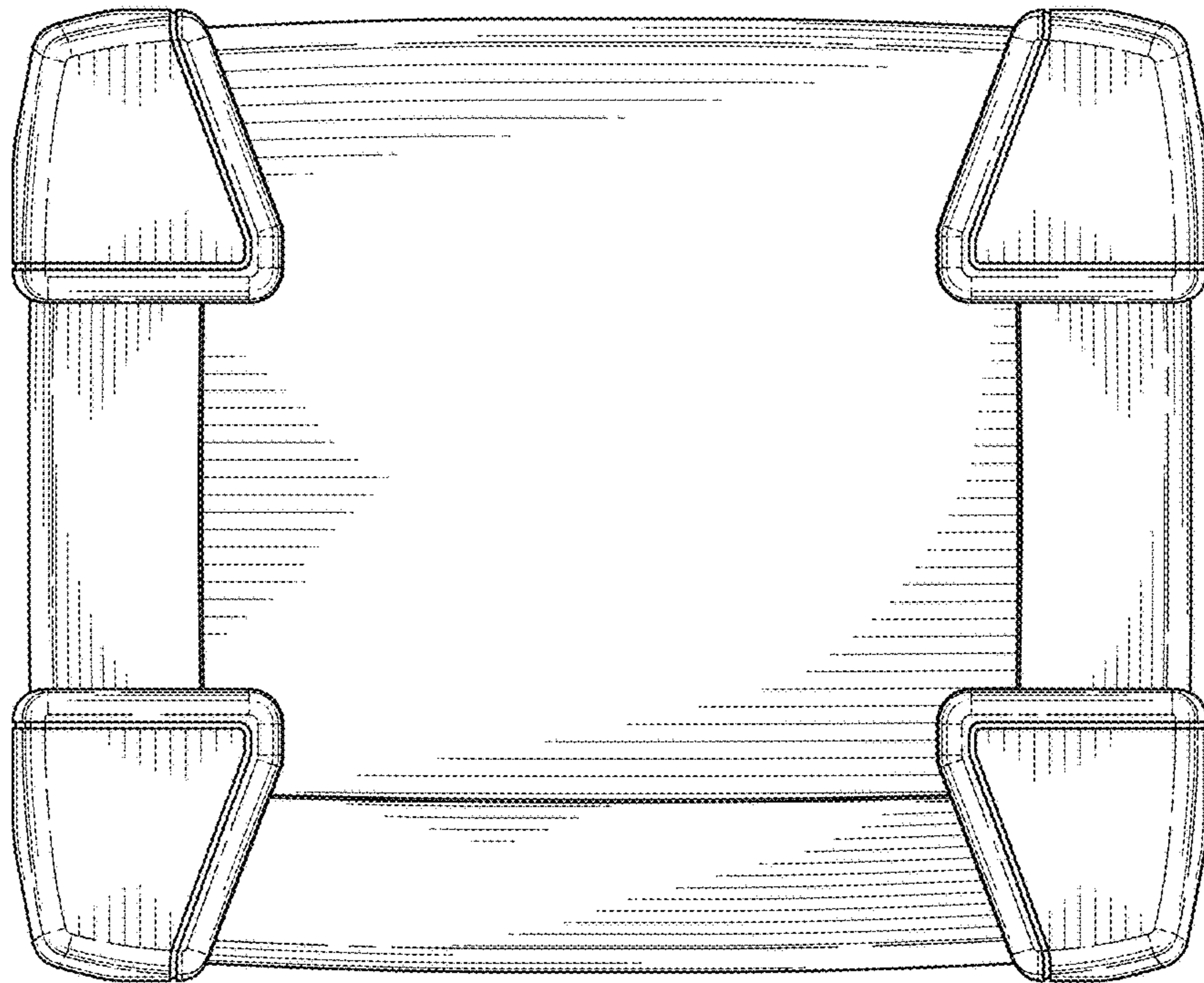


FIG. 7

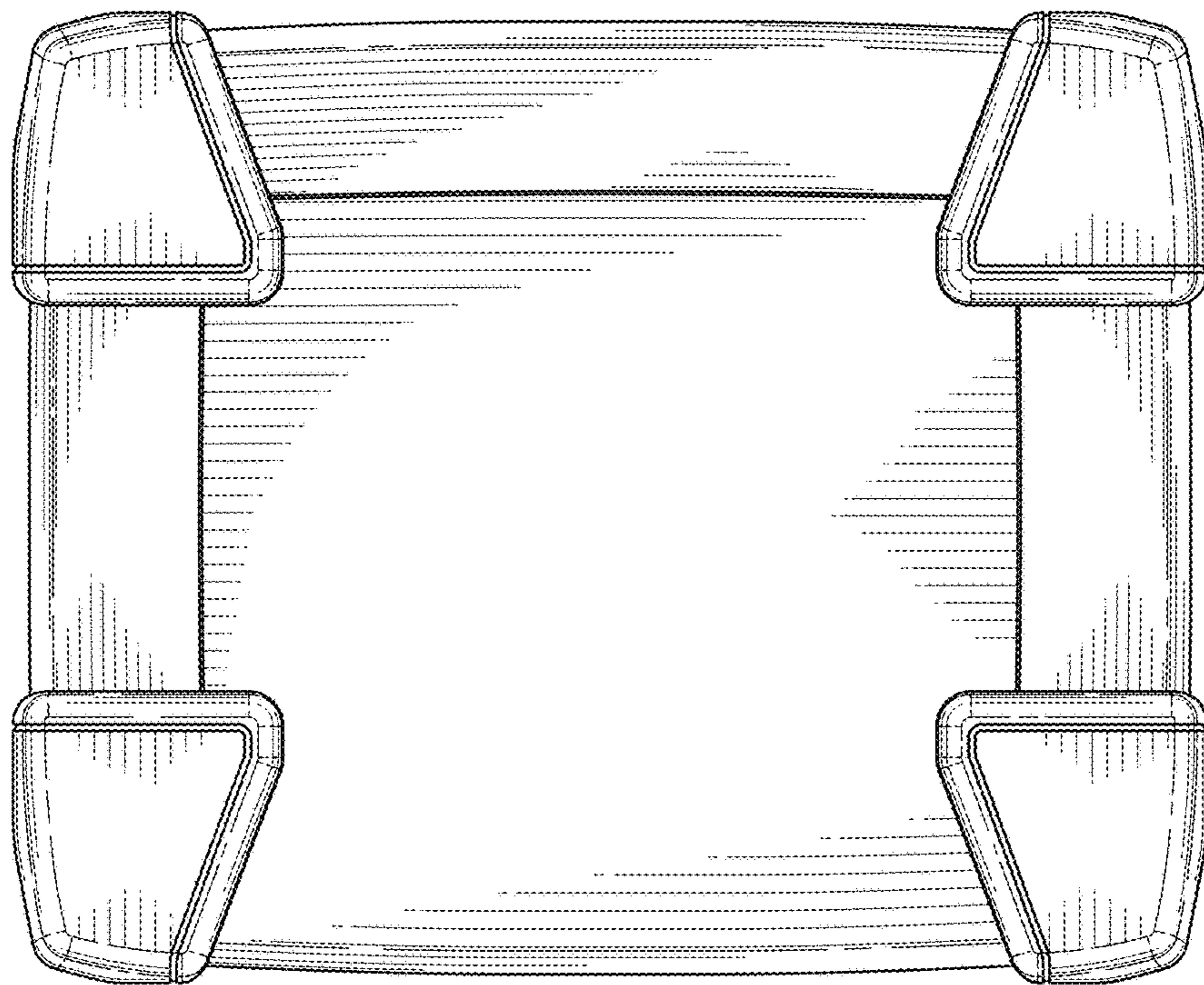


FIG. 8