



US00D837800S

(12) **United States Design Patent**  
**Haller**

(10) **Patent No.:** **US D837,800 S**  
(45) **Date of Patent:** **\*\* Jan. 8, 2019**

(54) **DISPLAY STAND**

(71) Applicant: **ELO TOUCH SOLUTIONS, INC.**,  
Milpitas, CA (US)

(72) Inventor: **Jeffrey T. Haller**, Redwood City, CA  
(US)

(73) Assignee: **ELO TOUCH SOLUTIONS, INC.**,  
Milpitas, CA (US)

(\*\*) Term: **15 Years**

(21) Appl. No.: **29/583,140**

(22) Filed: **Nov. 2, 2016**

(51) **LOC (11) Cl.** ..... **14-02**

(52) **U.S. Cl.**  
USPC ..... **D14/451**

(58) **Field of Classification Search**  
USPC ..... D14/371-382, 125-129, 335-337,  
D14/447-452, 492, 239, 457, 439-441,  
D14/432, 251-253; D8/349, 354, 363,  
D8/373, 376, 380; 348/180, 184, 325,  
348/739, 825; D12/407, 415; D3/218;  
341/12

CPC ..... G06F 3/0412; G06F 3/016; G06F 3/0488;  
G06F 3/011; G06F 3/038; G06F 3/03543;  
G06F 3/0338; G06F 3/0202; G06F  
3/0219; G06F 3/0213; G06F 1/1616;  
G06F 3/023; G06F 3/04883; G02F  
1/13338; G02F 1/1313; G02F 1/1333;  
G02F 1/135; G02F 1/132; G02F  
1/133308; G02F 1/134309; G02F  
1/13718; G09G 3/3648; G06K 15/1252;  
B41J 2/465; G03F 7/70291; G02B  
27/0172; G02B 5/30; G02B 2027/0118;  
G02B 27/0101; F16M 13/02; F16M  
13/00; F16M 11/10; F16M 11/04; F16M  
2200/08; F16M 11/2021; A47B 21/0314;  
A47B 88/044; A47B 2021/0335; H02G  
3/126; F16B 47/00; F16B 47/006; A47G  
1/17; A47K 2201/00

See application file for complete search history.

(56) **References Cited**

U.S. PATENT DOCUMENTS

D277,662 S *	2/1985	Huntington .....	D13/107
D535,615 S *	1/2007	Iwai .....	D13/108
D605,588 S *	12/2009	Nomi .....	D13/108
D613,684 S *	4/2010	Nishizawa .....	D13/108
D631,481 S *	1/2011	Floersch .....	D14/451
D647,898 S *	11/2011	Haller .....	D14/336
D688,673 S *	8/2013	Haller .....	D14/451
D725,182 S *	3/2015	Haller et al.	
D760,845 S *	7/2016	Plakas .....	D14/451
D778,277 S *	2/2017	Haller et al.	
D782,975 S *	4/2017	Chen .....	D13/108
D792,413 S *	7/2017	Floersch .....	D14/447

(Continued)

*Primary Examiner* — Katie Jane Stofko

(74) *Attorney, Agent, or Firm* — Sterne, Kessler,  
Goldstein & Fox P.L.L.C.

(57) **CLAIM**

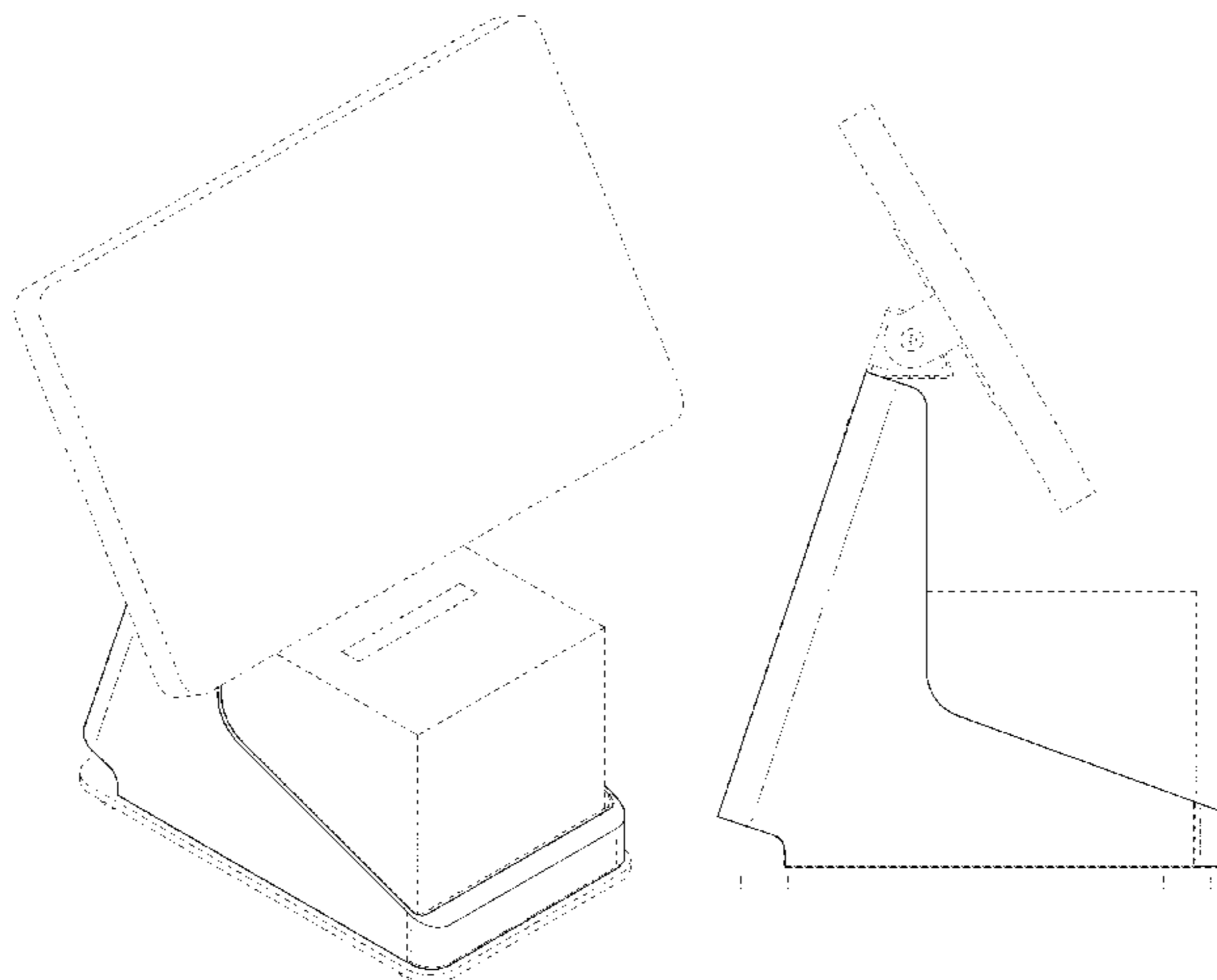
The ornamental design for a display stand, as shown and described.

**DESCRIPTION**

FIG. 1 is a top front perspective view of a display stand showing the claimed design;  
FIG. 2 is a front view thereof;  
FIG. 3 is a rear view thereof;  
FIG. 4 is a left side view thereof;  
FIG. 5 is a right side view thereof;  
FIG. 6 is a top view thereof; and,  
FIG. 7 is a bottom view thereof.

The evenly-spaced broken lines in FIGS. 1-7 illustrate portions of the display stand that form no part of the claimed design. The dash-dot-dash broken lines in the drawings illustrate boundaries of the claimed design, which form no part thereof.

**1 Claim, 7 Drawing Sheets**



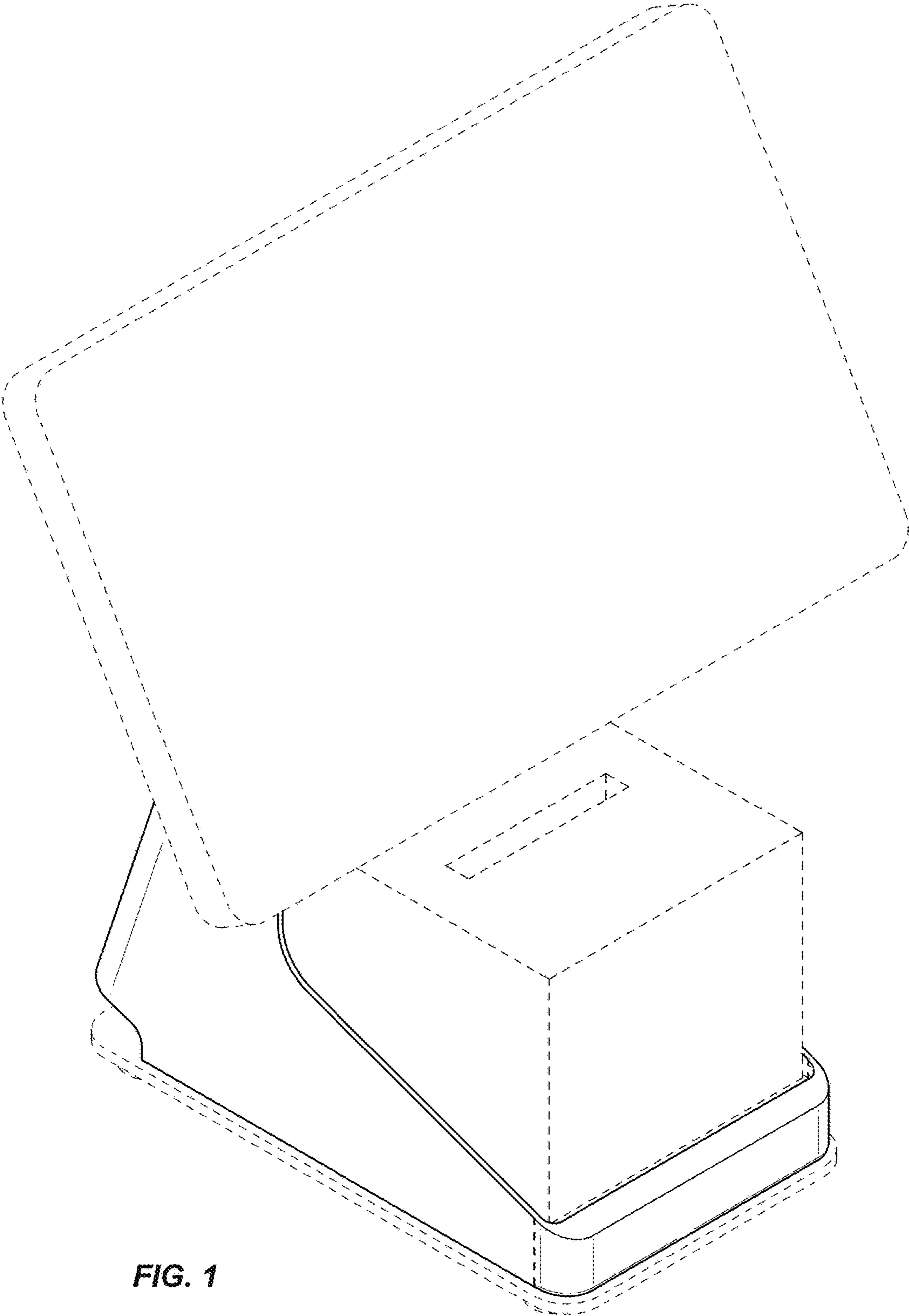
(56)

**References Cited**

U.S. PATENT DOCUMENTS

D806,159 S \* 12/2017 Haller ..... D18/4.5  
D810,014 S \* 2/2018 Haranaka ..... D13/108  
D813,850 S \* 3/2018 Young, III ..... D14/224

\* cited by examiner



**FIG. 1**

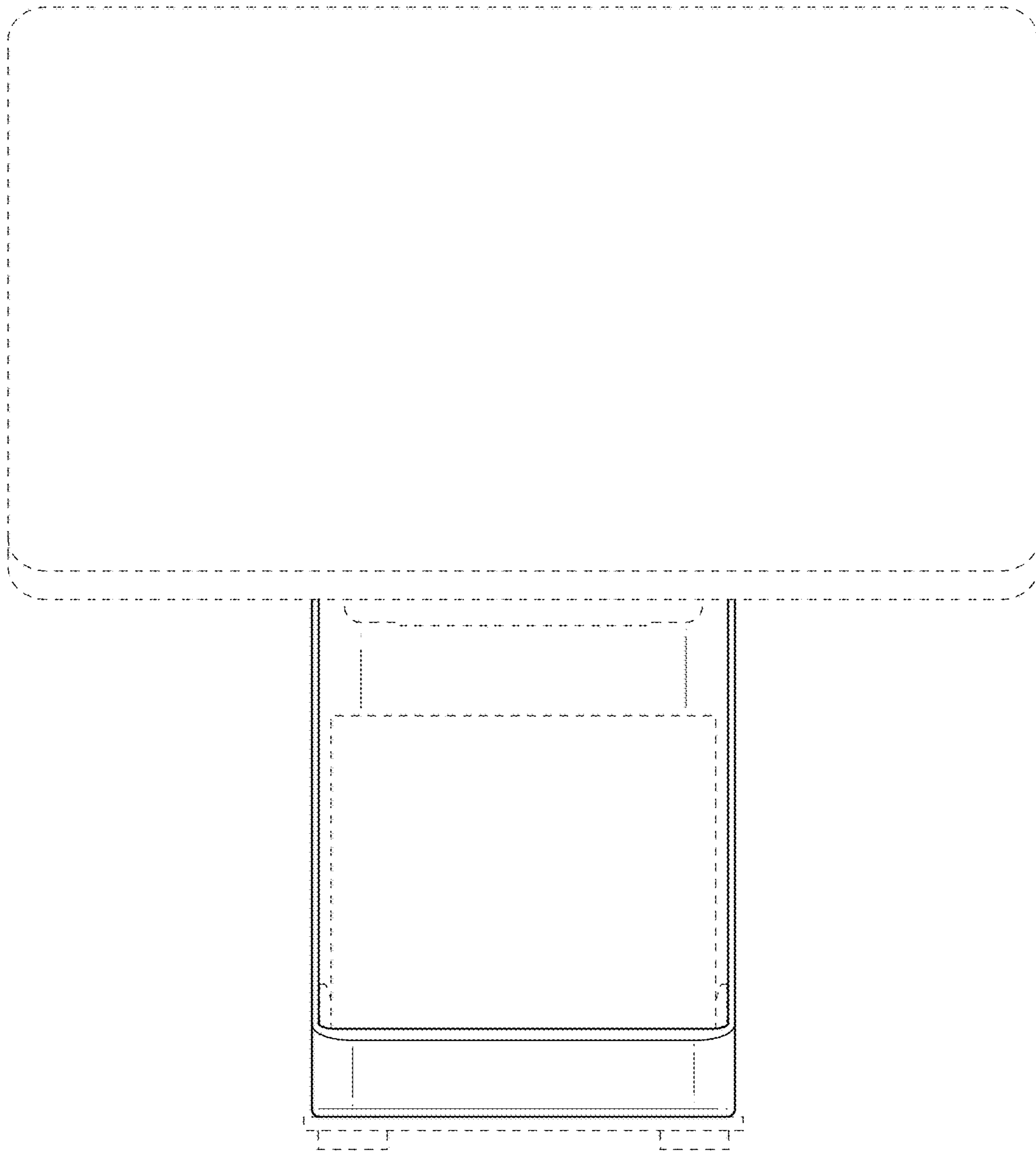


FIG. 2

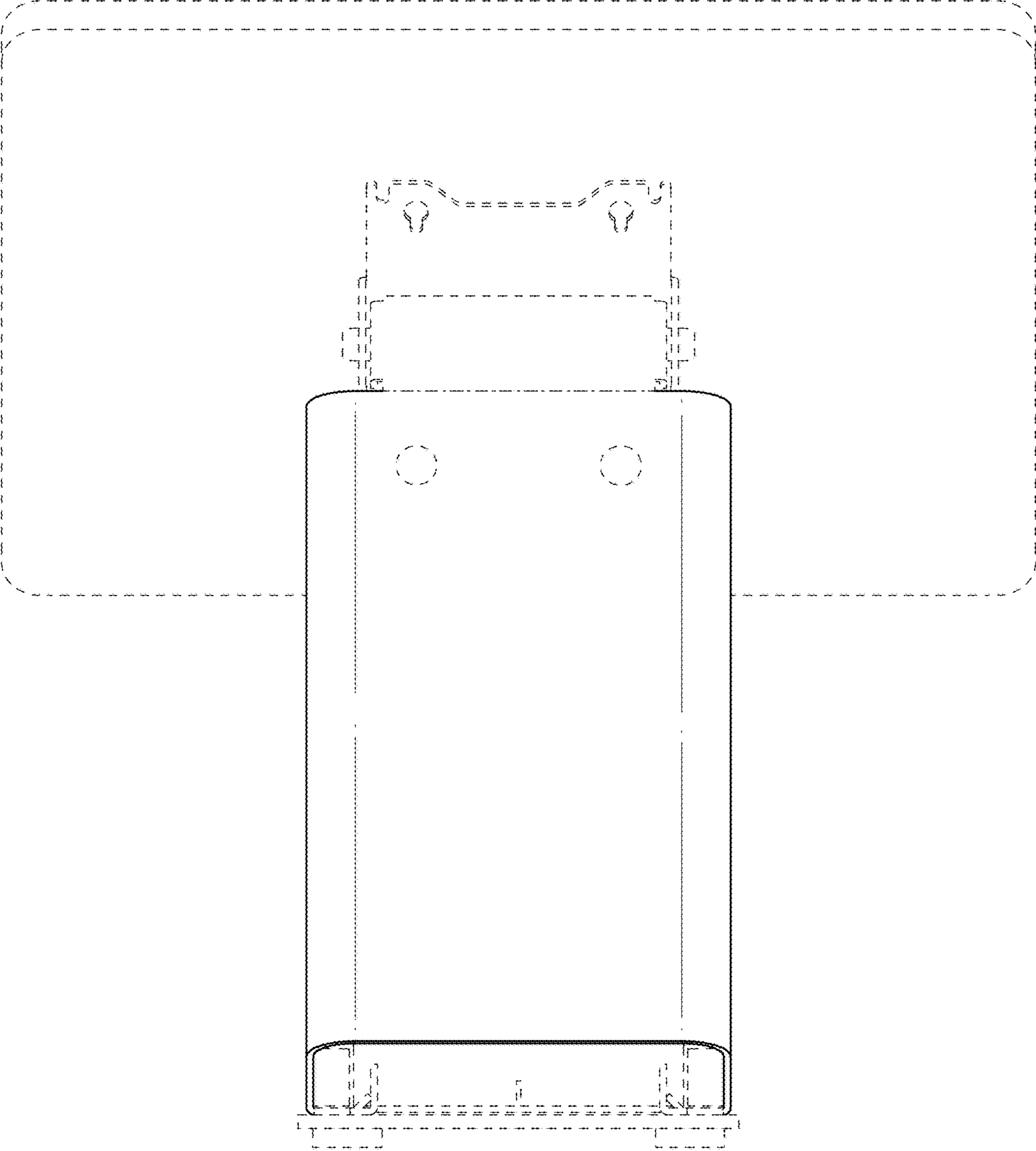


FIG. 3

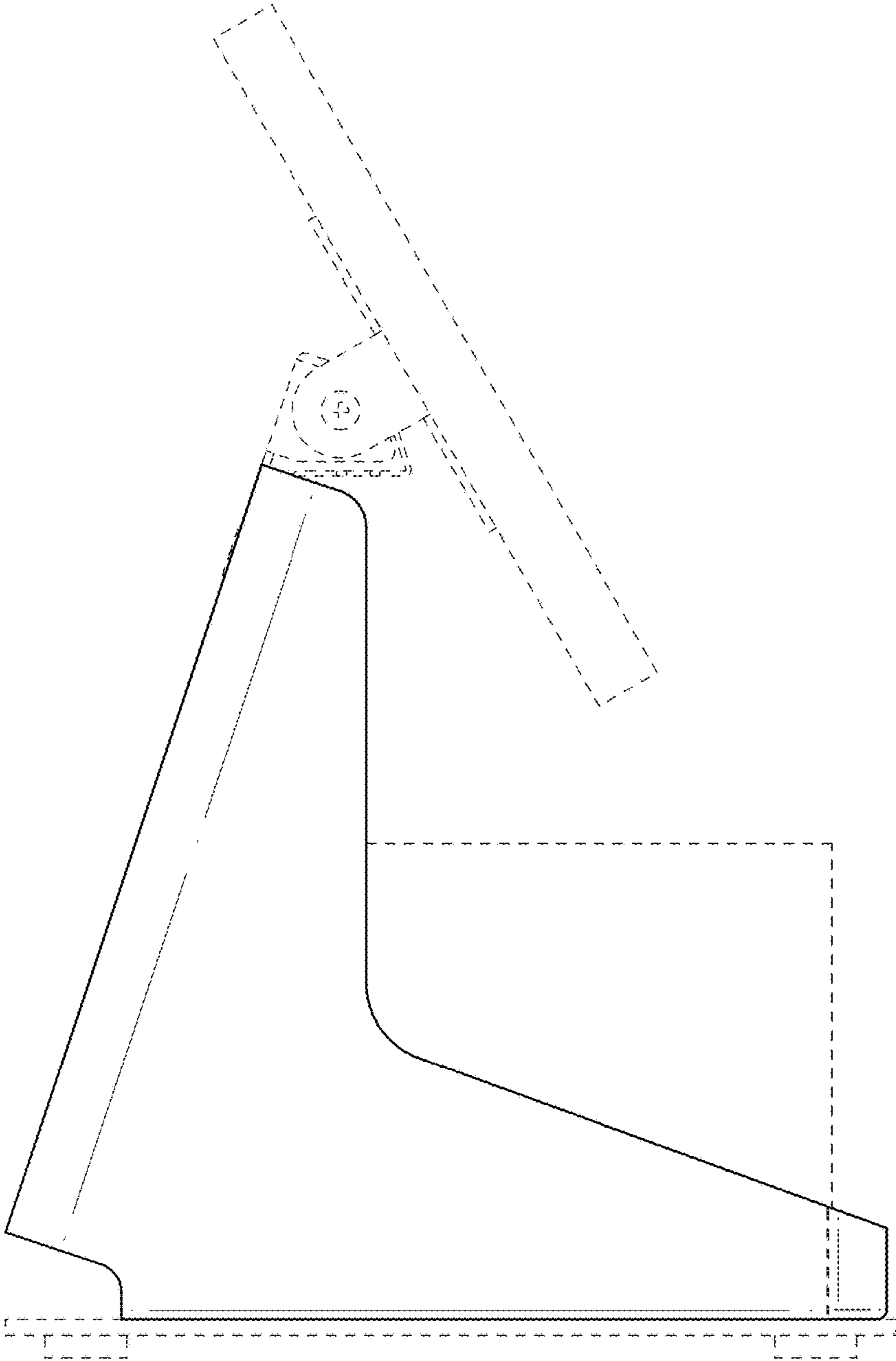


FIG. 4

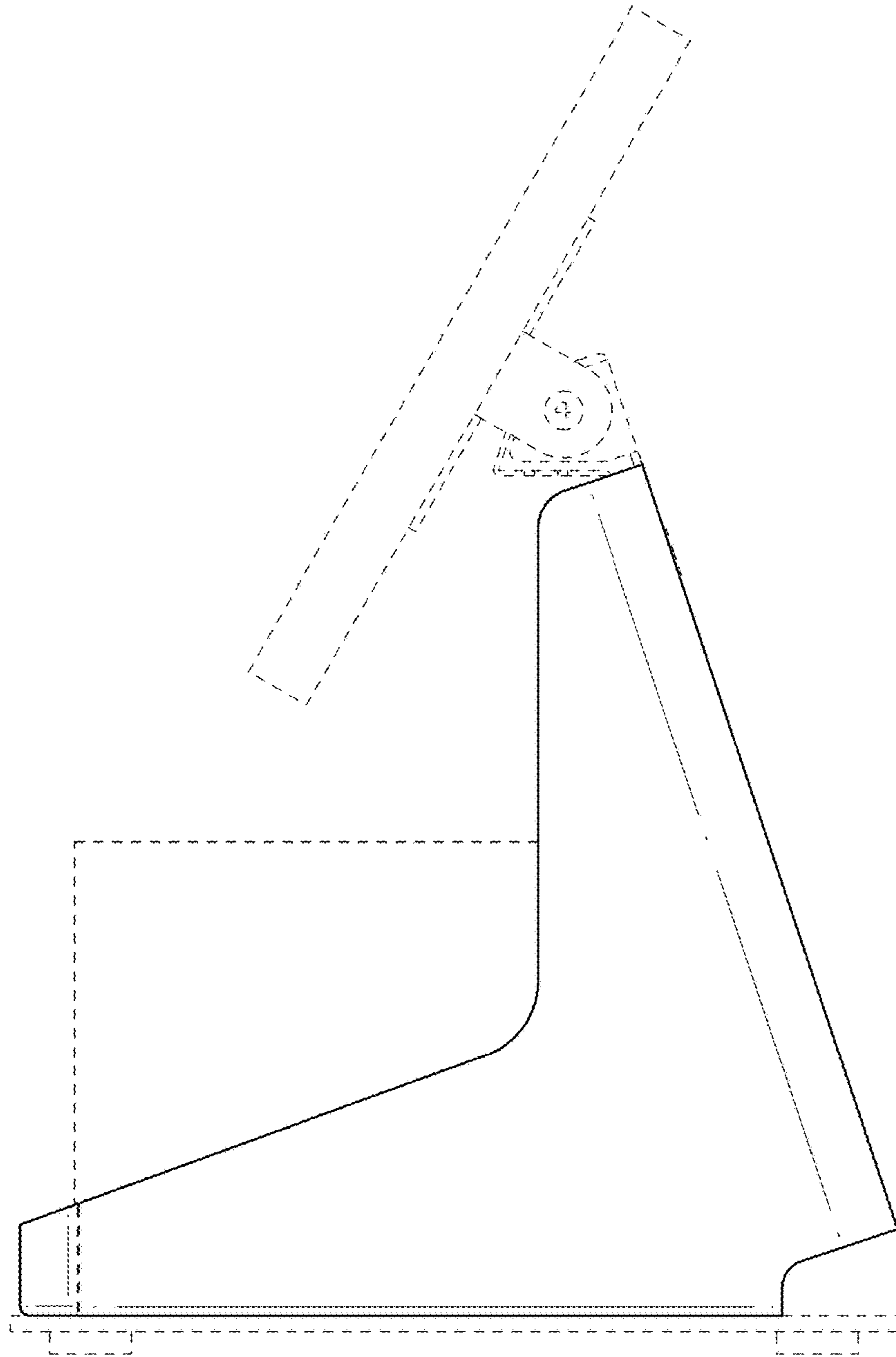
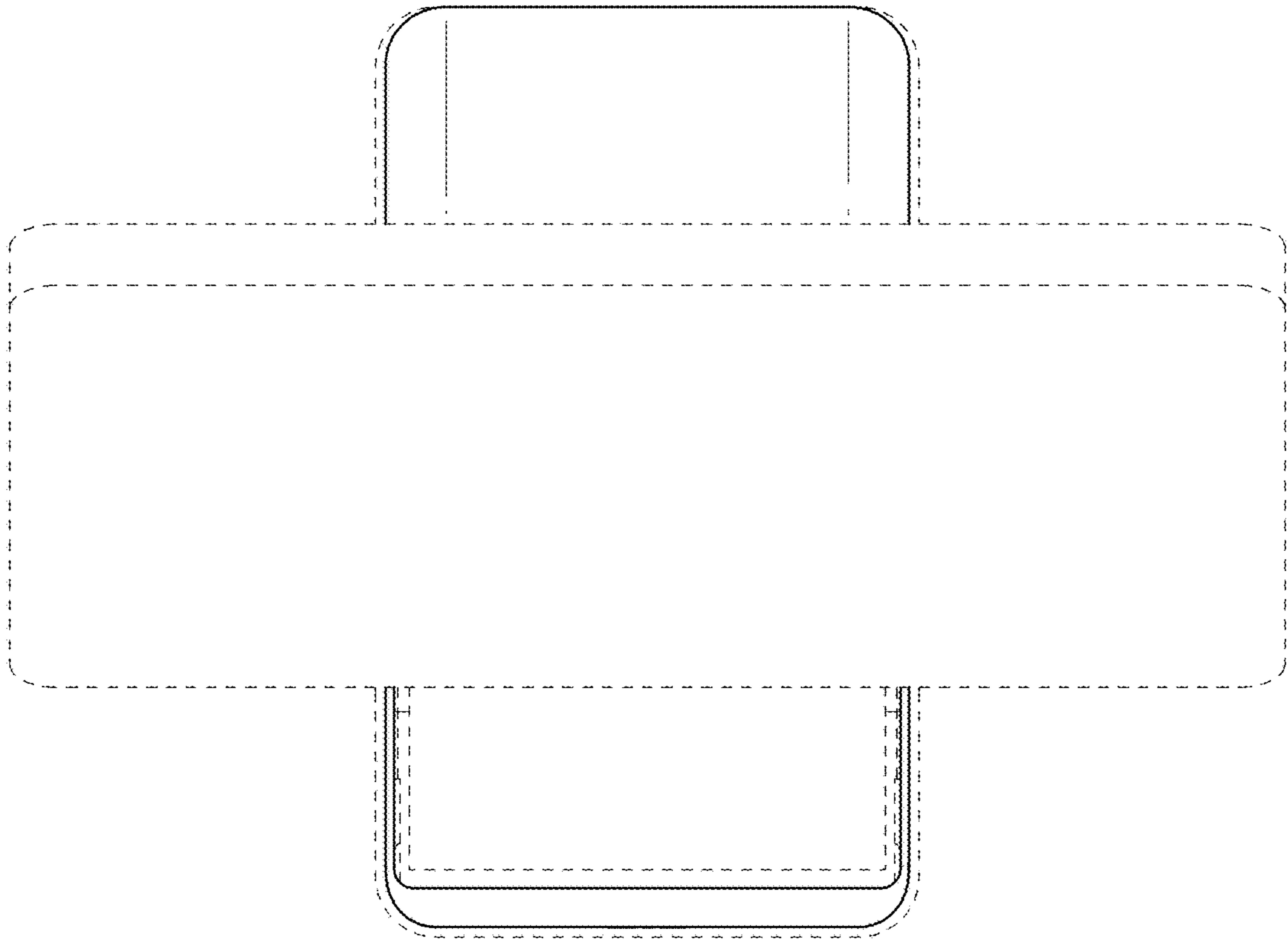


FIG. 5



**FIG. 6**



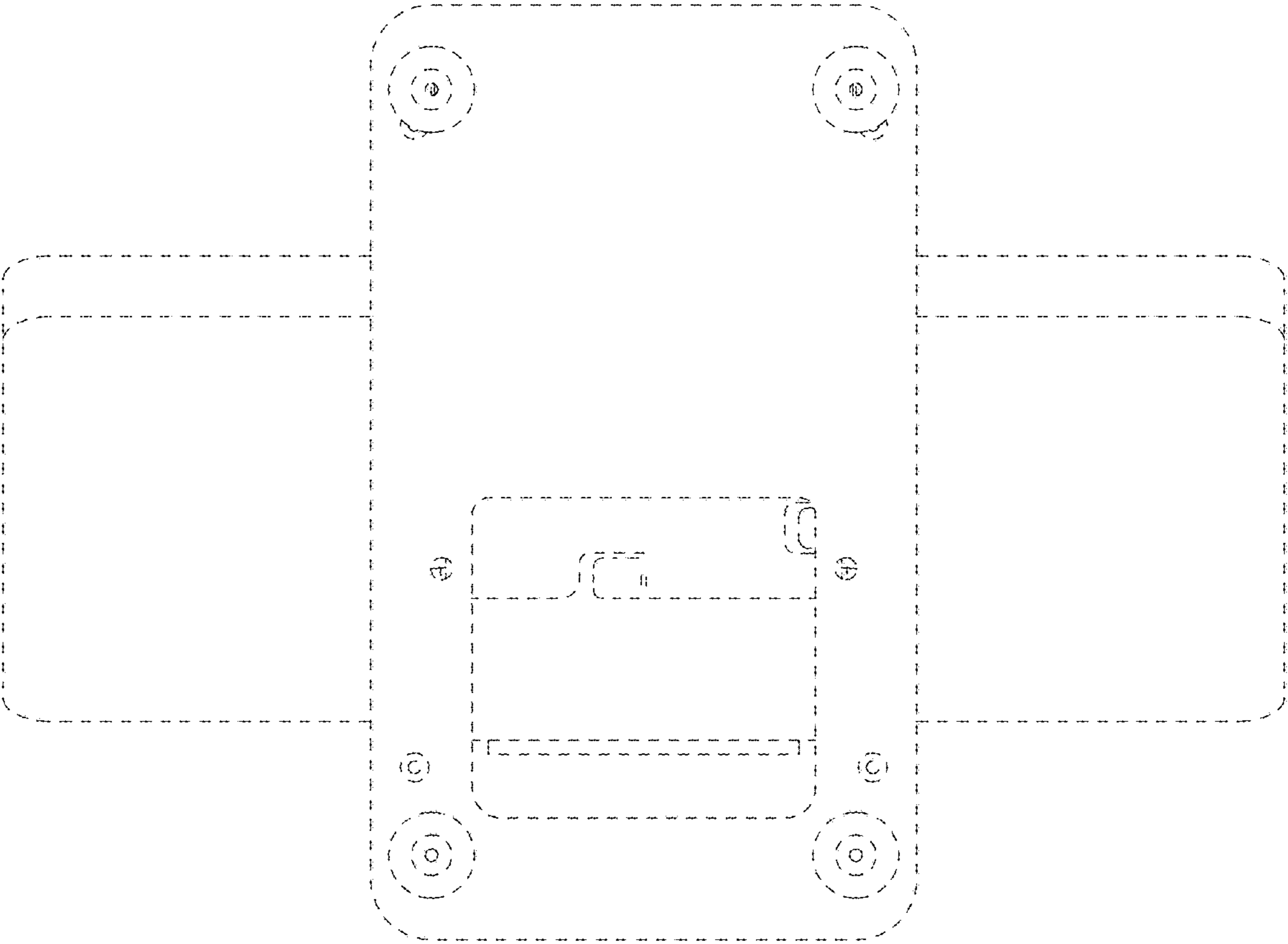


FIG. 7