

US00D837798S

(12) **United States Design Patent** (10) **Patent No.:** **US D837,798 S**
Janzen et al. (45) **Date of Patent:** **** Jan. 8, 2019**

(54) **MOBILE STAND FOR AN ELECTRONIC DISPLAY DEVICE**

D692,436 S 10/2013 Hung
D697,919 S 1/2014 Gelsomini et al.
D700,706 S 3/2014 Molter

(71) Applicant: **Tryten Technologies Inc.**, Seattle, WA (US)

(Continued)

(72) Inventors: **Tony Janzen**, Langley (CA); **Otto Baartman**, British Columbia (CA); **Jonathan Culley**, British Columbia (CA)

OTHER PUBLICATIONS

Janzen, T., et al., "Articulated Pole for a Mobile Stand," U.S. Appl. No. 29/630,001, filed Dec. 18, 2017.

(Continued)

(73) Assignee: **Tryten Technologies, Inc.**, Seattle, WA (US)

Primary Examiner — Angela J Lee

(74) *Attorney, Agent, or Firm* — Christensen O'Connor Johnson Kindness, PLLC; Ryan Dodge

(**) Term: **15 Years**

(21) Appl. No.: **29/629,998**

(57) **CLAIM**

The ornamental design for a mobile stand for an electronic display device, as shown and described.

(22) Filed: **Dec. 18, 2017**

(51) **LOC (11) Cl.** **08-07**

(52) **U.S. Cl.**

USPC **D14/447**

(58) **Field of Classification Search**

USPC D14/447, 432, 434, 439, 440, 451, 452, D14/457, 239; D8/363, 373, 380; D6/406.3, 406.4, 406.5, 406.6; D12/415; D13/108, 144

See application file for complete search history.

DESCRIPTION

FIG. 1 is an upper-right-front perspective view of a mobile stand for an electronic display in accordance with the present design;

FIG. 2 is an upper-left-back perspective view of the mobile stand for an electronic display shown in FIG. 1;

FIG. 3 is a front view of the mobile stand for an electronic display shown in FIG. 1;

FIG. 4 is a back view of the mobile stand for an electronic display shown in FIG. 1;

FIG. 5 is a top plan view of the mobile stand for an electronic display shown in FIG. 1;

FIG. 6 is a bottom plan view of the mobile stand for an electronic display shown in FIG. 1;

FIG. 7 is a left side view of the mobile stand for an electronic display shown in FIG. 1; and,

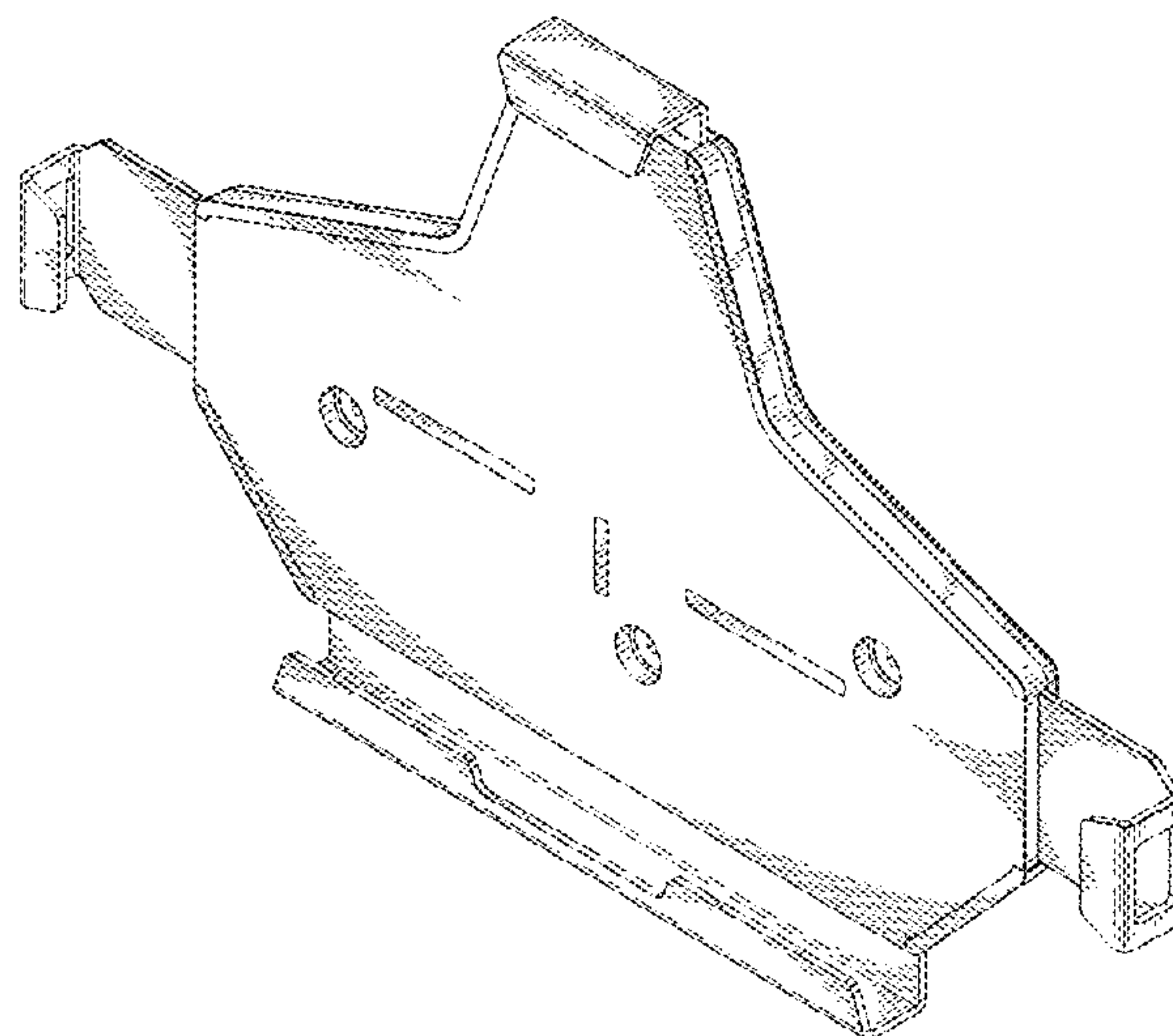
FIG. 8 is a right side view of the mobile stand for an electronic display shown in FIG. 1.

(56) **References Cited**

U.S. PATENT DOCUMENTS

D435,107 S	12/2000	Blair et al.	
7,274,564 B2	9/2007	Rossini	
D615,072 S *	5/2010	Saitou	D14/239
D618,350 S	6/2010	Balas	
D642,183 S *	7/2011	Chinuki	F16M 11/28 D14/451
D646,315 S	10/2011	Orf	
D650,774 S	12/2011	Molter	
D652,936 S	1/2012	Ross et al.	
D671,545 S *	11/2012	Guran	D14/447
D691,149 S *	10/2013	Breton	D14/447

1 Claim, 6 Drawing Sheets



(56)

References Cited

U.S. PATENT DOCUMENTS

D717,804 S 11/2014 Budge
 D735,727 S * 8/2015 Dugger D14/447
 D739,947 S 9/2015 Maier
 D742,387 S 11/2015 Xiang et al.
 D746,824 S * 1/2016 Heckler D14/447
 D752,597 S 3/2016 Girault
 D753,126 S 4/2016 Alesi et al.
 D765,447 S 9/2016 Barham et al.
 D765,646 S 9/2016 Deng et al.
 9,441,782 B2 9/2016 Funk et al.
 D774,322 S * 12/2016 Schmauch D6/406.5
 D778,283 S 2/2017 Tsai
 D782,492 S * 3/2017 Cutler D14/447
 D783,837 S 4/2017 Janzen
 D784,998 S * 4/2017 Cutler D14/447
 D796,047 S 8/2017 Janzen

D804,487 S * 12/2017 Theis D14/447
 D825,573 S * 8/2018 Belitz D14/447
 2008/0061195 A1 3/2008 Carnevali
 2008/0142667 A1 6/2008 German et al.
 2009/0294604 A1 12/2009 Sunderland
 2012/0025036 A1 2/2012 Huang
 2016/0270525 A1* 9/2016 Aldrich F16M 11/42
 2016/0367329 A1 12/2016 Dekel
 2017/0188724 A1* 7/2017 Lin E05B 73/0082

OTHER PUBLICATIONS

Janzen, T., et al., "Base for a Mobile Stand," U.S. Appl. No. 29/630,000, filed Dec. 18, 2017.
 Janzen, T., et al., "Retainer for Supporting an Electronic Display," U.S. Appl. No. 29/629,999, filed Dec. 18, 2017.

* cited by examiner

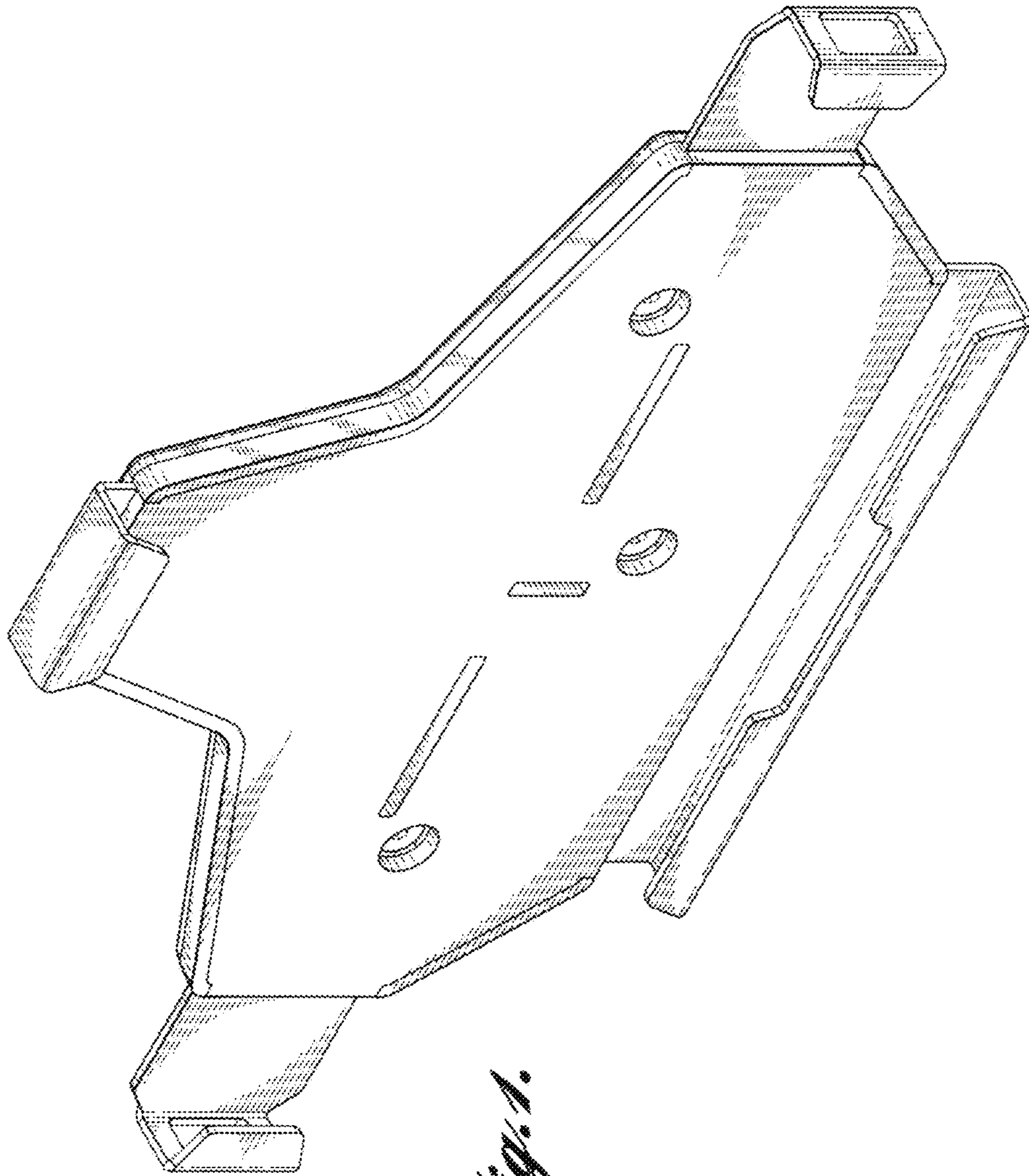


Fig. 1.

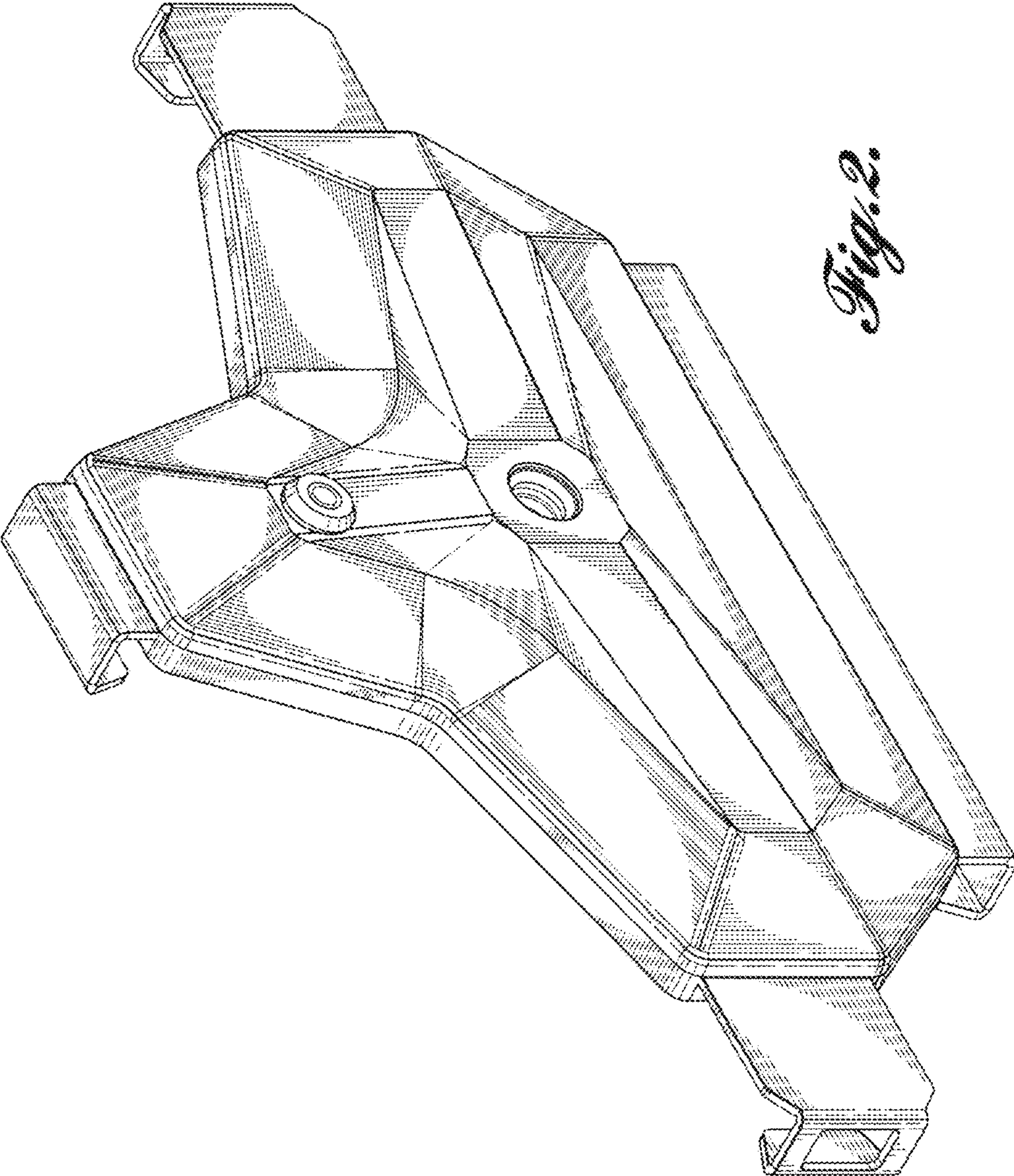


Fig. 2.

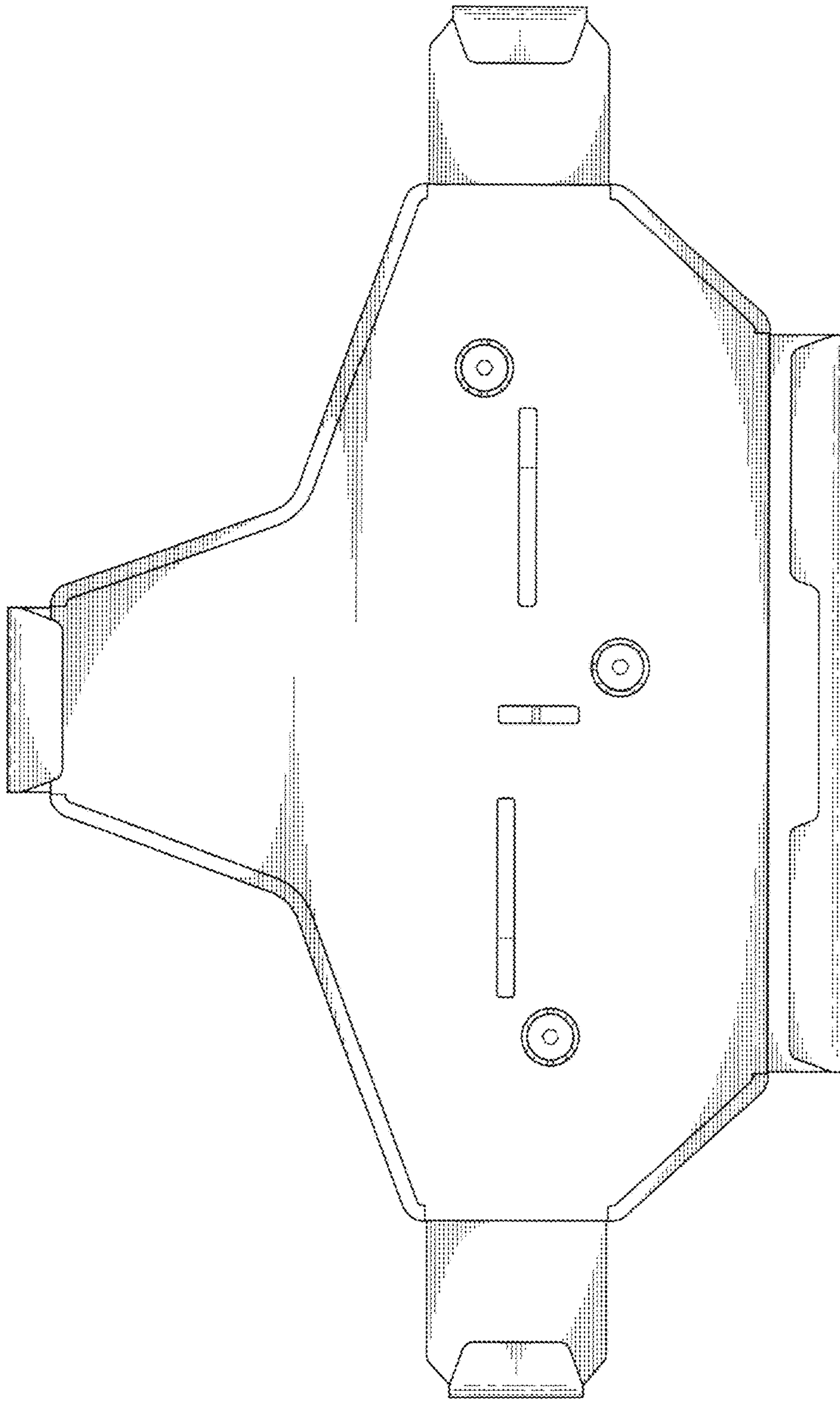


Fig. 3.

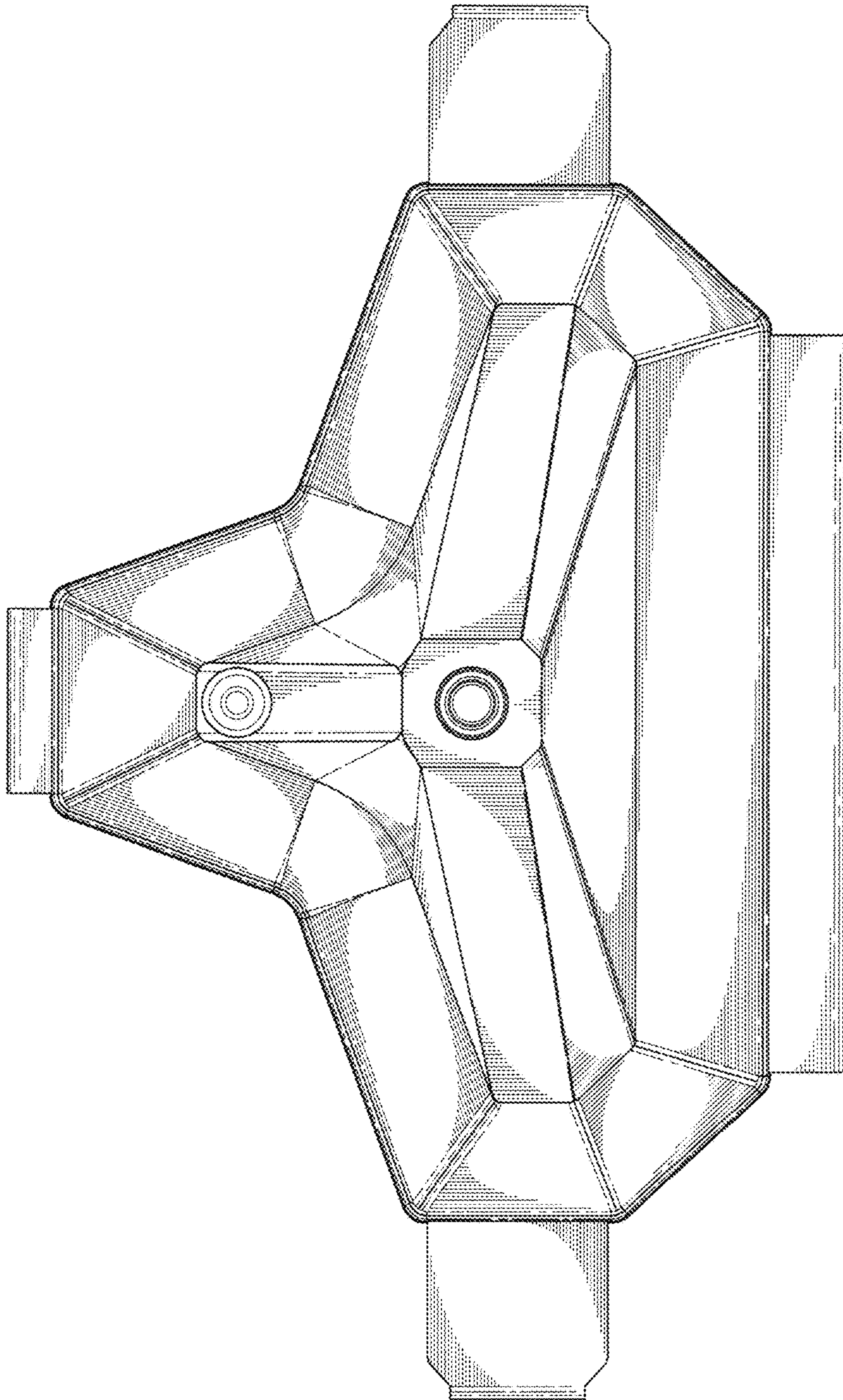


Fig. 4.

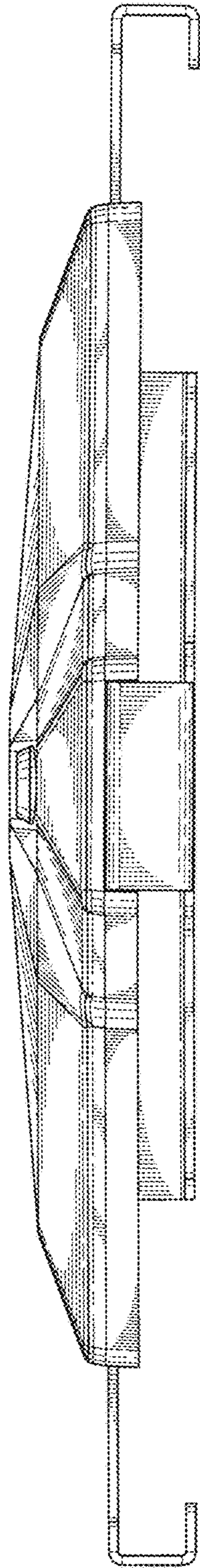


Fig. 5.

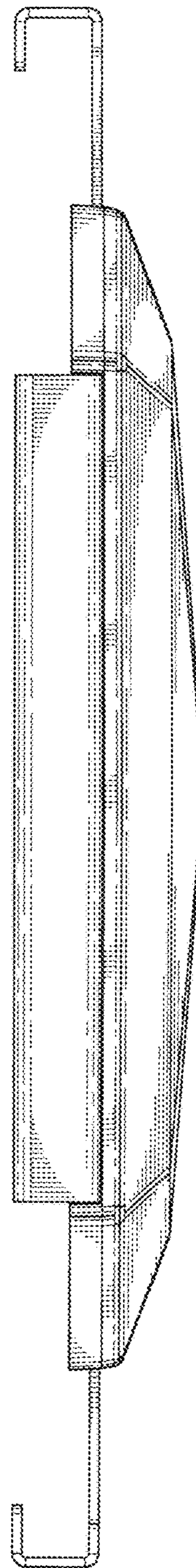


Fig. 6.

Fig. 8.

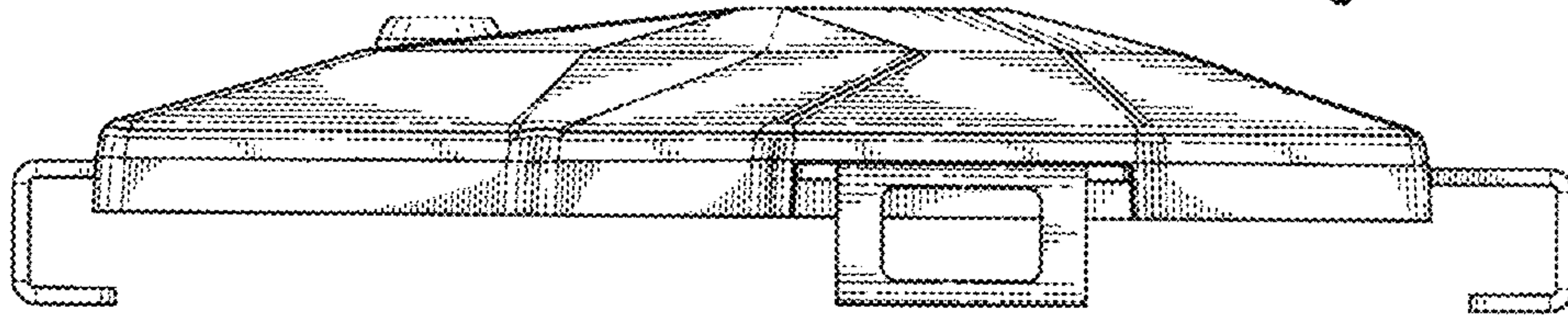
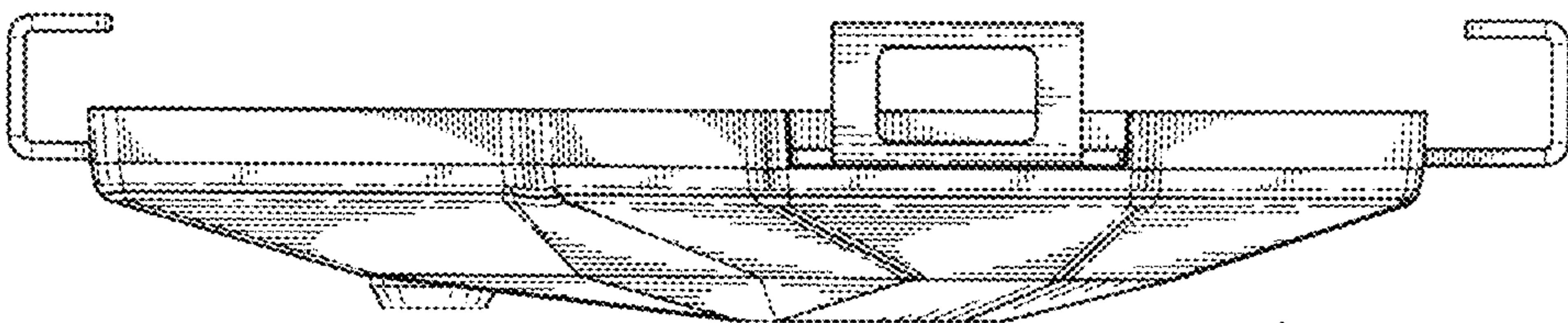


Fig. 7.



UNITED STATES PATENT AND TRADEMARK OFFICE
CERTIFICATE OF CORRECTION

PATENT NO. : D837,798 S
APPLICATION NO. : 29/629998
DATED : January 8, 2019
INVENTOR(S) : T. Janzen et al.

Page 1 of 9

It is certified that error appears in the above-identified patent and that said Letters Patent is hereby corrected as shown below:

Delete the title page and replace with the attached title page showing the corrected number of drawing sheets.

Delete Drawings Sheets 1-6 and replace with the attached Drawing Sheets 1-7.

Signed and Sealed this
First Day of October, 2019



Andrei Iancu
Director of the United States Patent and Trademark Office

(12) **United States Design Patent** (10) **Patent No.:** **US D837,798 S**
Janzen et al. (45) **Date of Patent:** **** Jan. 8, 2019**

(54) **MOBILE STAND FOR AN ELECTRONIC DISPLAY DEVICE**

D692,436 S 10/2013 Hung
 D697,919 S 1/2014 Gelsomini et al.
 D700,706 S 3/2014 Molter
 (Continued)

(71) Applicant: **Tryten Technologies Inc.**, Seattle, WA (US)

OTHER PUBLICATIONS

(72) Inventors: **Tony Janzen**, Langley (CA); **Otto Baartman**, British Columbia (CA); **Jonathan Culley**, British Columbia (CA)

Janzen, T., et al., "Articulated Pole for a Mobile Stand," U.S. Appl. No. 29/630,001, filed Dec. 18, 2017.
 (Continued)

(73) Assignee: **Tryten Technologies, Inc.**, Seattle, WA (US)

Primary Examiner — Angela J Lee
 (74) *Attorney, Agent, or Firm* — Christensen O'Connor Johnson Kindness, PLLC; Ryan Dodge

(**) Term: **15 Years**

(21) Appl. No.: **29/629,998**

(57) **CLAIM**

(22) Filed: **Dec. 18, 2017**

The ornamental design for a mobile stand for an electronic display device, as shown and described.

(51) **LOC (11) Cl.** **08-07**

(52) **U.S. Cl.**
 USPC **D14/447**

DESCRIPTION

(58) **Field of Classification Search**
 USPC D14/447, 432, 434, 439, 440, 451, 452, D14/457, 239; D8/363, 373, 380; D6/406.3, 406.4, 406.5, 406.6; D12/415; D13/108, 144

FIG. 1 is an upper-right-front perspective view of a mobile stand for an electronic display in accordance with the present design;
 FIG. 2 is an upper-left-back perspective view of the mobile stand for an electronic display shown in FIG. 1;
 FIG. 3 is a front view of the mobile stand for an electronic display shown in FIG. 1;
 FIG. 4 is a back view of the mobile stand for an electronic display shown in FIG. 1;
 FIG. 5 is a top plan view of the mobile stand for an electronic display shown in FIG. 1;
 FIG. 6 is a bottom plan view of the mobile stand for an electronic display shown in FIG. 1;
 FIG. 7 is a left side view of the mobile stand for an electronic display shown in FIG. 1; and,
 FIG. 8 is a right side view of the mobile stand for an electronic display shown in FIG. 1.

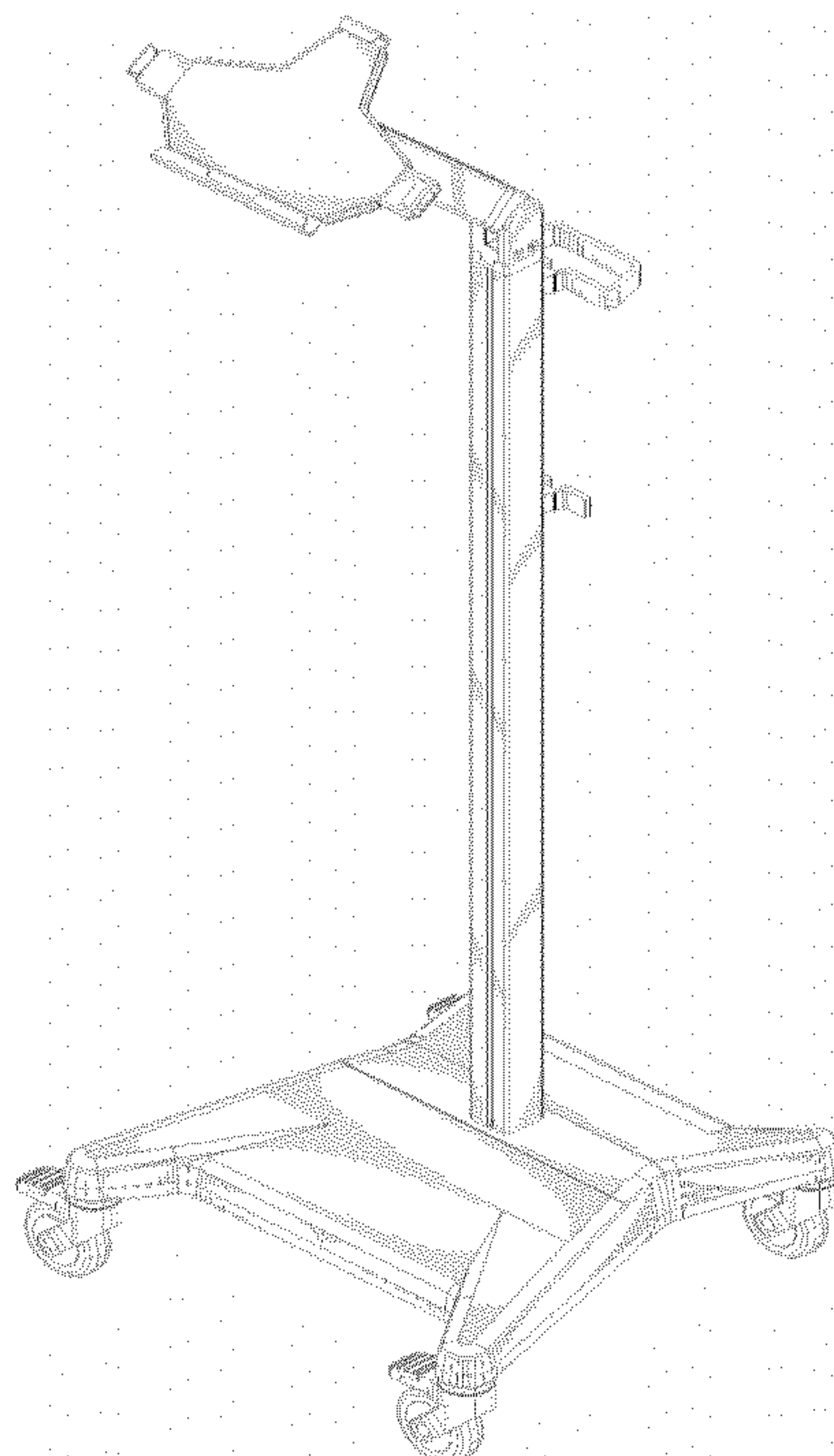
See application file for complete search history.

(56) **References Cited**

U.S. PATENT DOCUMENTS

D435,107 S 12/2000 Blair et al.
 7,274,564 B2 9/2007 Rossini
 D615,072 S * 5/2010 Saitou D14/239
 D618,350 S 6/2010 Balas
 D642,183 S * 7/2011 Chinuki F16M 11/28
 D14/451
 D646,315 S 10/2011 Orf
 D650,774 S 12/2011 Molter
 D652,936 S 1/2012 Ross et al.
 D671,545 S * 11/2012 Guran D14/447
 D691,149 S * 10/2013 Breton D14/447

1 Claim, 7 Drawing Sheets



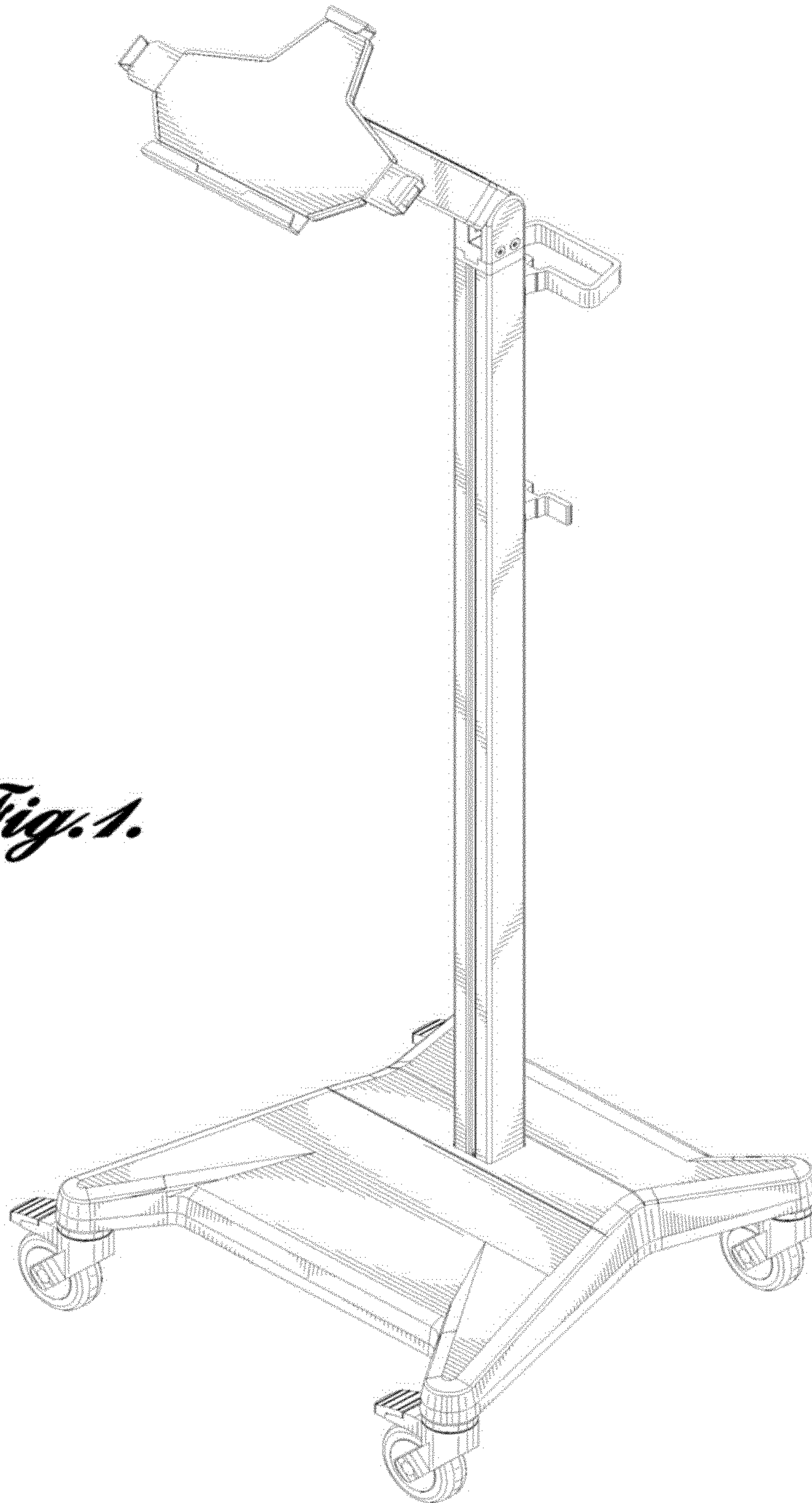


Fig. 1.

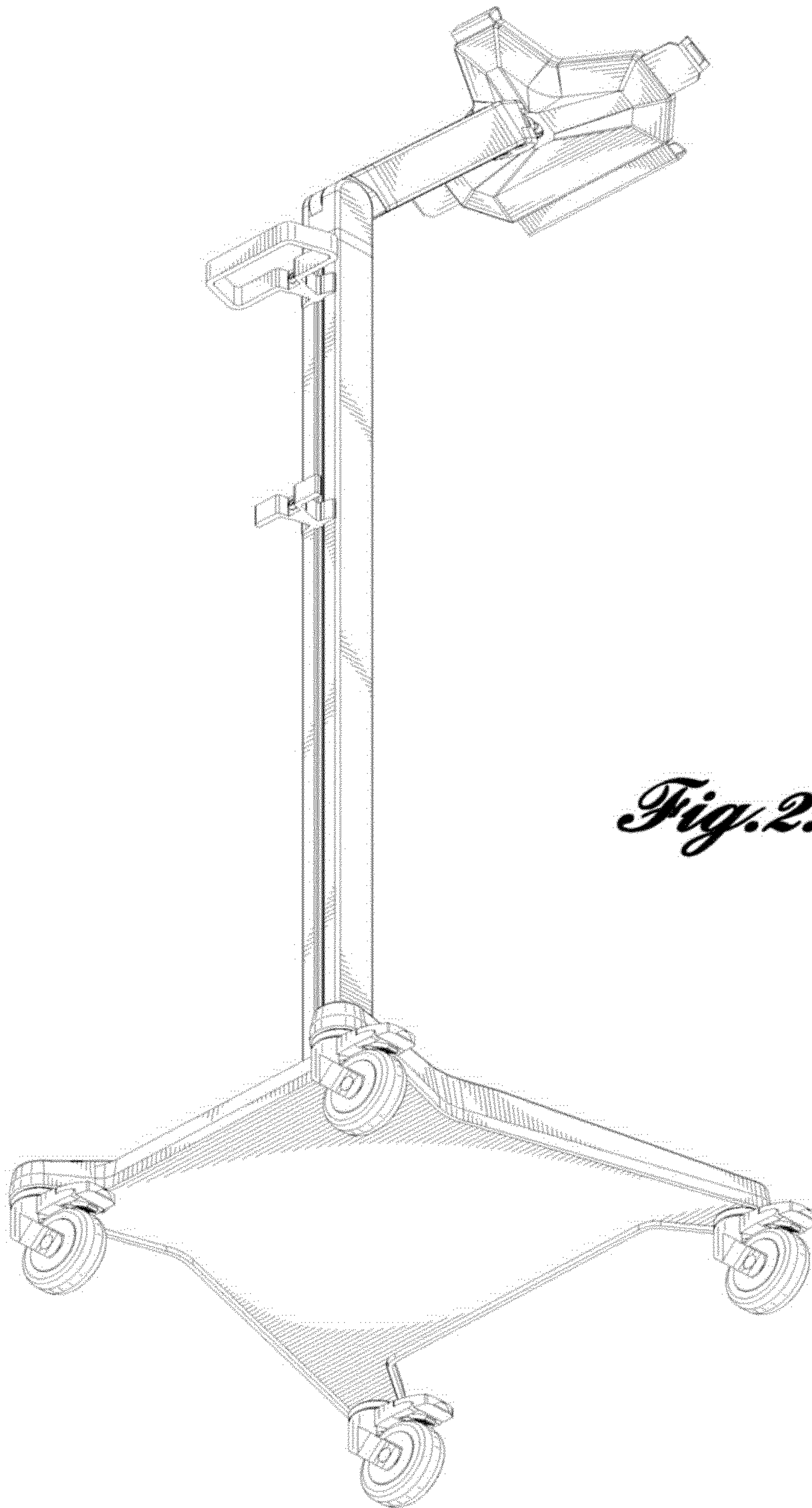


Fig. 2.

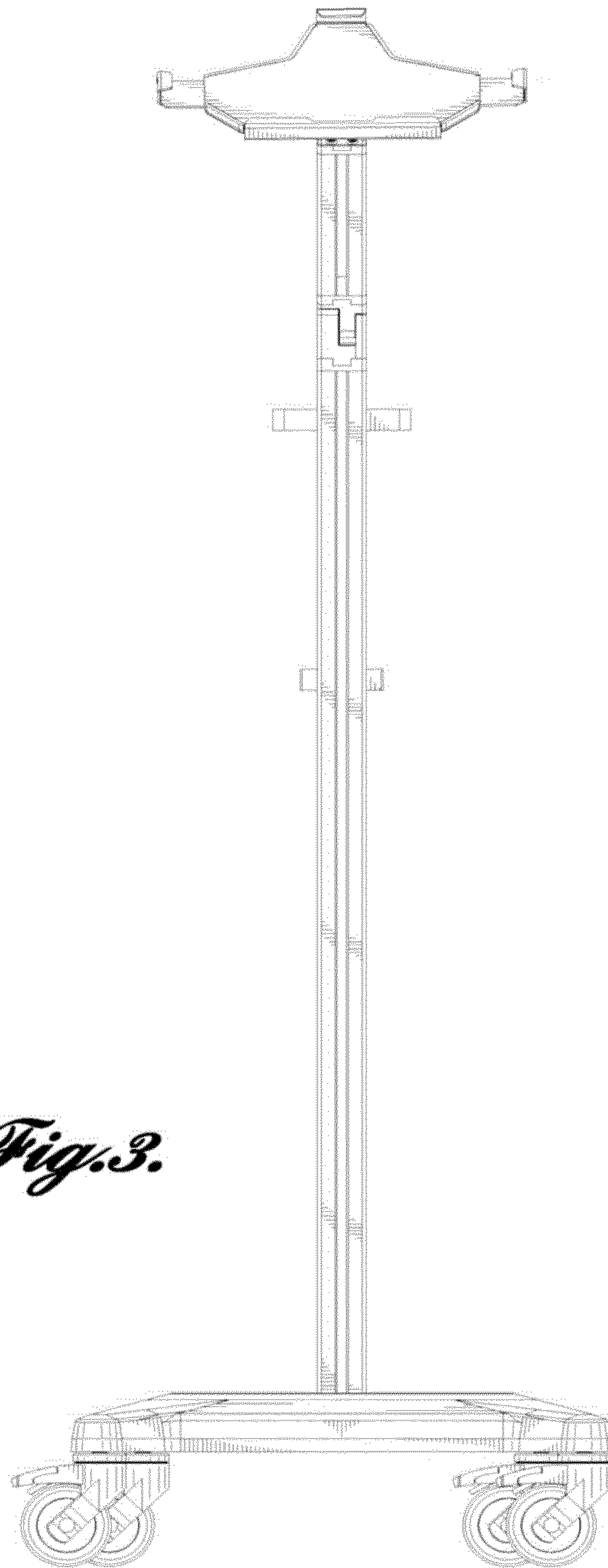


Fig. 3.

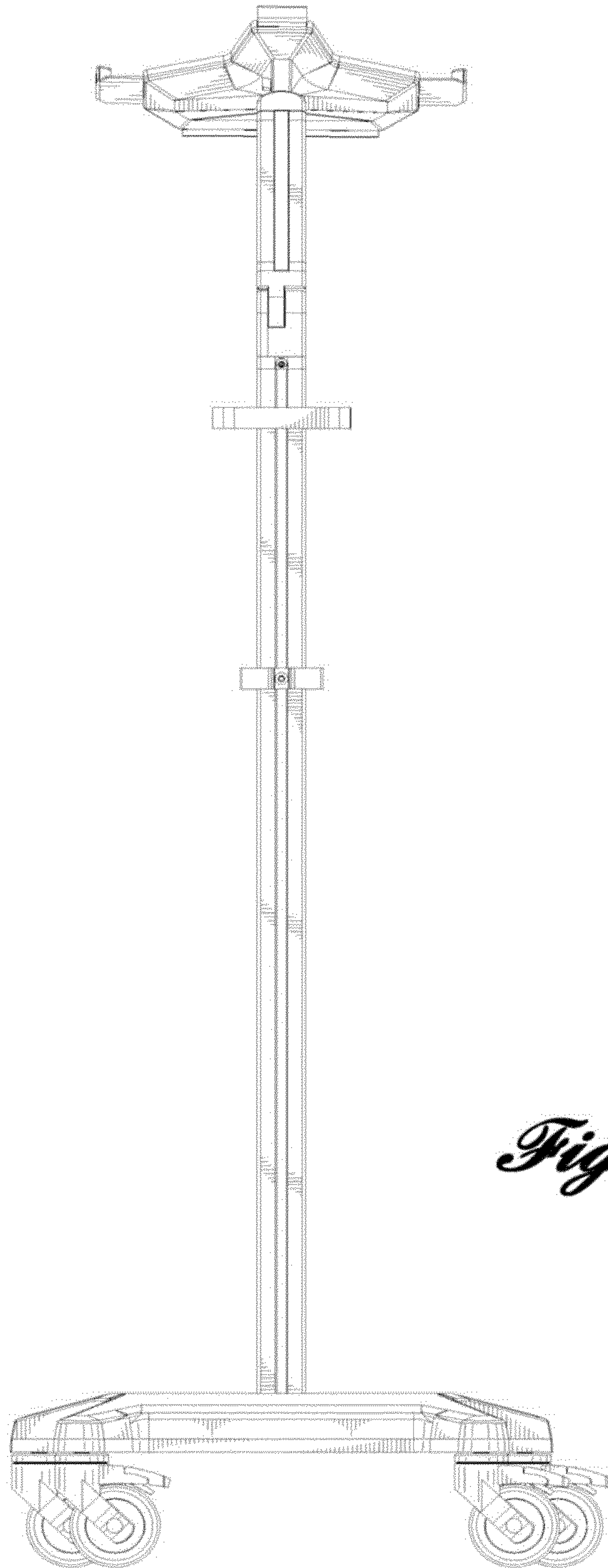
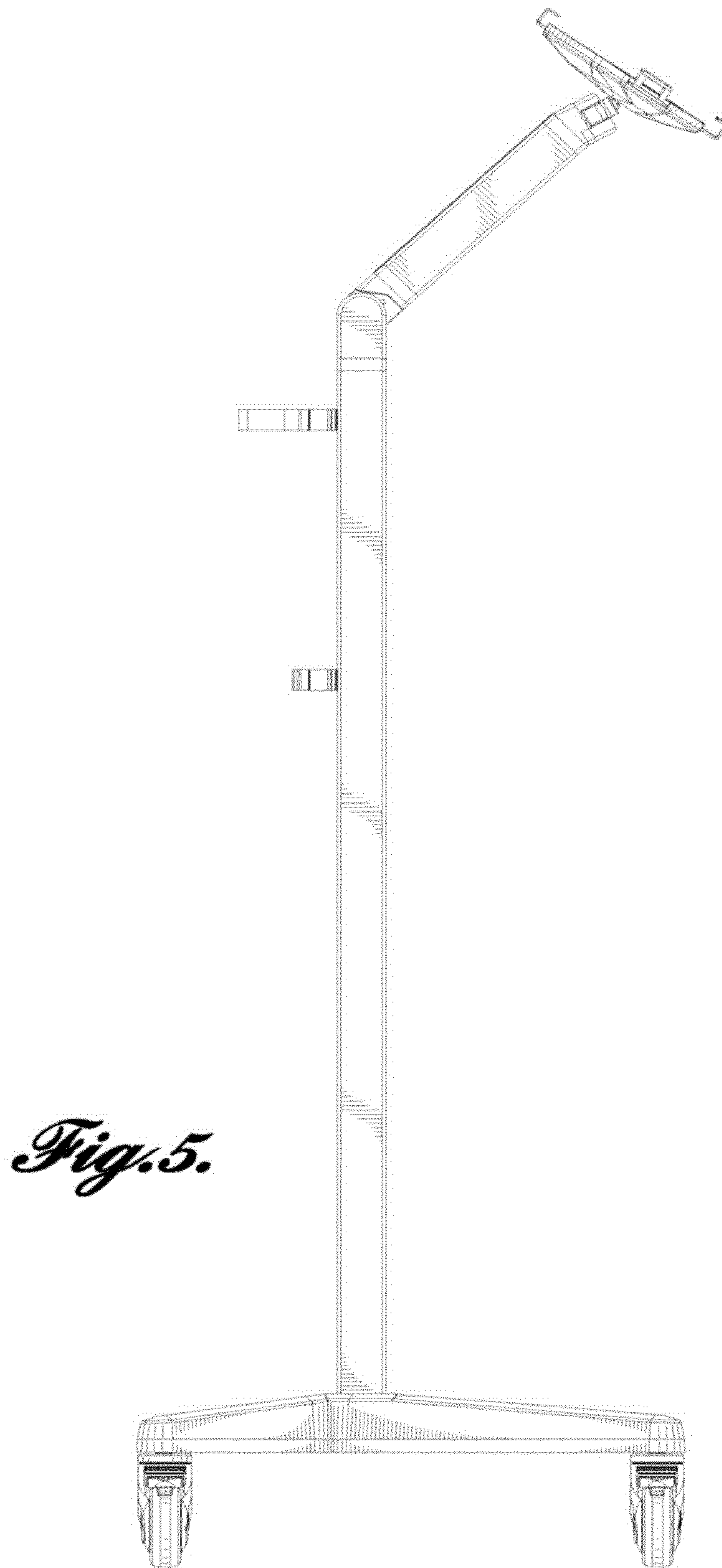


Fig. 4.



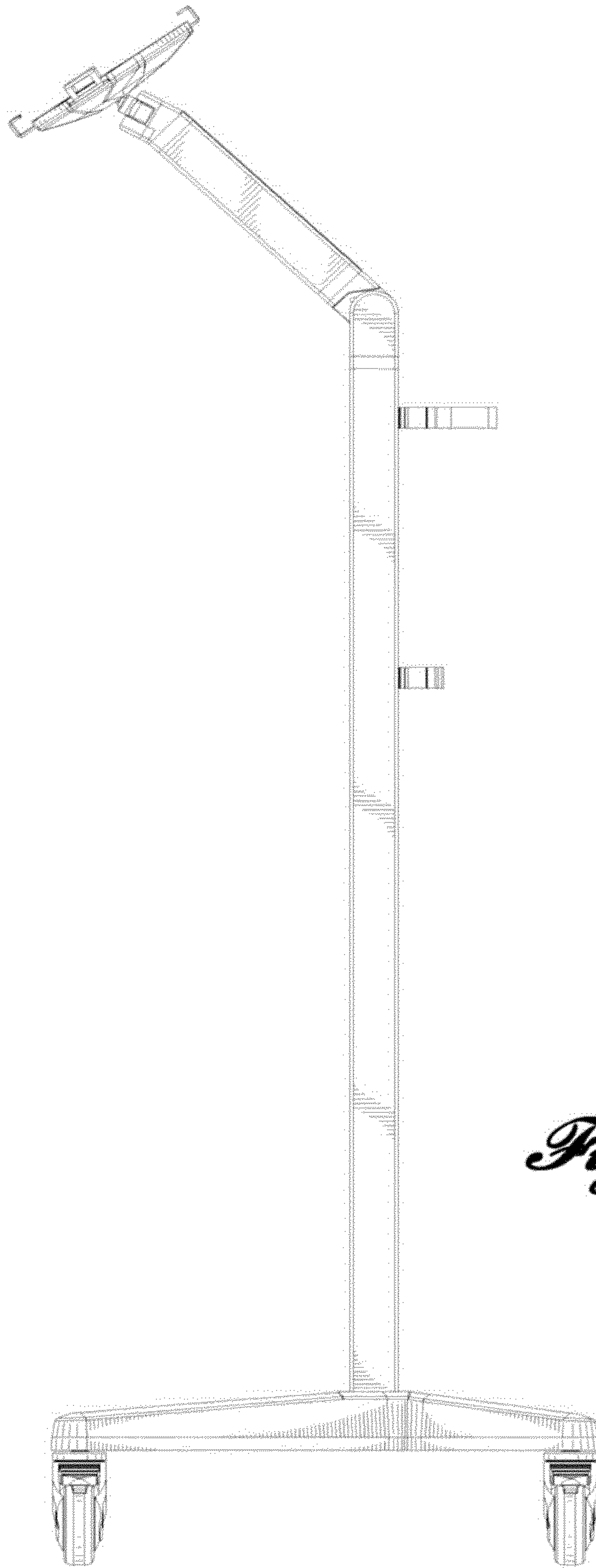


Fig. 6.

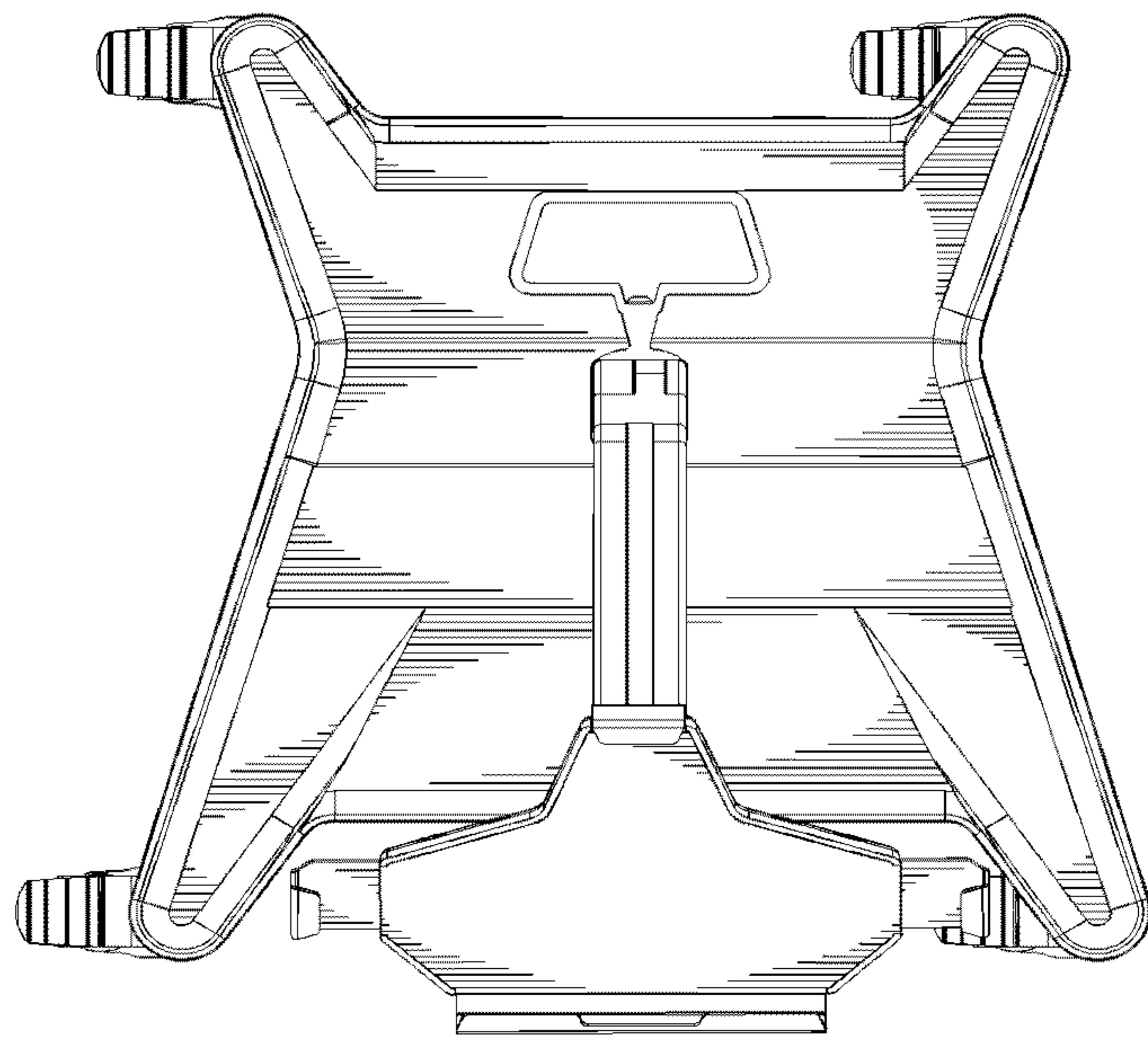


Fig. 7.

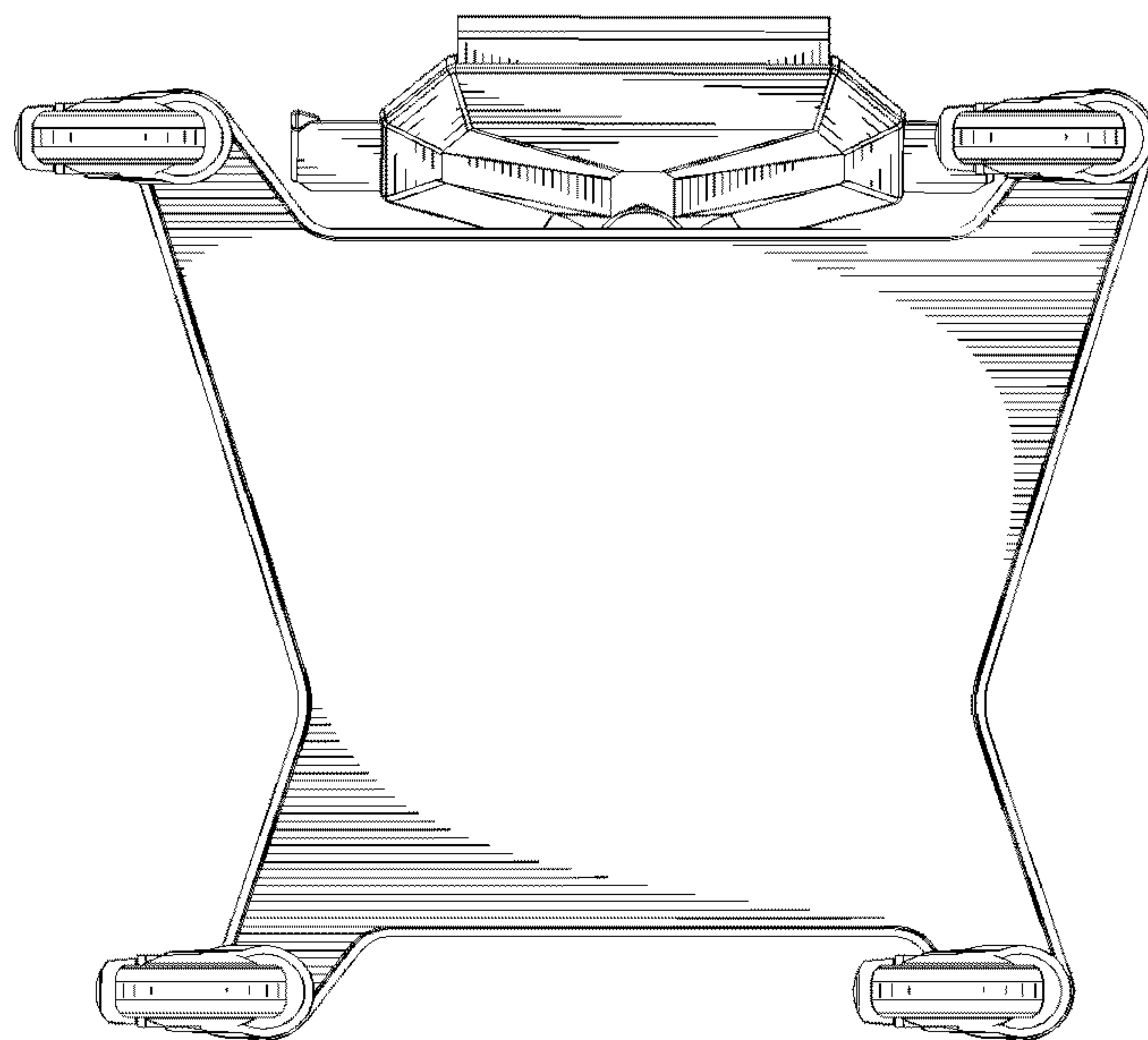


Fig. 8.