



US00D837797S

(12) **United States Design Patent**
Wright et al.

(10) **Patent No.:** **US D837,797 S**
(45) **Date of Patent:** **** Jan. 8, 2019**

(54) **PROTECTIVE CASE**

DESCRIPTION

- (71) Applicant: **CATALYST LIFESTYLE LIMITED**,
North Point (HK)
- (72) Inventors: **Joshua Wright**, Hong Kong (CN);
June Lai, Hong Kong (CN)
- (73) Assignee: **CATALYST LIFESTYLE LIMITED**,
North Point (HK)
- (**) Term: **15 Years**
- (21) Appl. No.: **29/657,623**
- (22) Filed: **Jul. 24, 2018**
- (51) **LOC (11) Cl.** **14-02**
- (52) **U.S. Cl.**
USPC **D14/440**
- (58) **Field of Classification Search**
USPC D14/440; 206/45.23, 320, 45.2;
361/679.55; 294/25; 224/218
CPC ... G06F 1/1628; G06F 1/1626; A47B 23/044;
H04B 1/3888; H05K 5/0217
See application file for complete search history.

FIG. 1 is a perspective view including a rear, bottom and opposite side of the protective case;
 FIG. 2 is a perspective view including a front, top and one side of the protective case;
 FIG. 3 is a plan view of the bottom of the protective case of FIG. 1;
 FIG. 4 is a plan view of the top of the protective case of FIG. 1;
 FIG. 5 is an elevational view of the opposite side of the protective case of FIG. 1;
 FIG. 6 is an elevational view of the side of the protective case of FIG. 1;
 FIG. 7 is an elevational view of the front of the protective case of FIG. 1;
 FIG. 8 is an elevational view of the rear of the protective case of FIG. 1;
 FIG. 9 is a perspective view including a rear, bottom and opposite side of the protective case including a clip;
 FIG. 10 is a perspective view including a front, top and one side of the protective case including a clip;
 FIG. 11 is a plan view of the bottom of the protective case of FIG. 9;
 FIG. 12 is a plan view of the top of the protective case of FIG. 9;
 FIG. 13 is an elevational view of the opposite side of the protective case of FIG. 9;
 FIG. 14 is an elevational view of the side of the protective case of FIG. 9;
 FIG. 15 is an elevational view of the front of the protective case of FIG. 9;
 FIG. 16 is an elevational view of the rear of the protective case of FIG. 9; and,
 FIG. 17 is an enlarged detail view of the encircled portion of FIG. 2.

(56) **References Cited**

U.S. PATENT DOCUMENTS

8,143,982 B1	3/2012	Lauder et al.
8,143,983 B1	3/2012	Lauder et al.
8,253,518 B2	8/2012	Lauder et al.
8,264,310 B2	9/2012	Lauder et al.
D668,660 S	10/2012	Norfolk
D668,661 S	10/2012	Norfolk

(Continued)

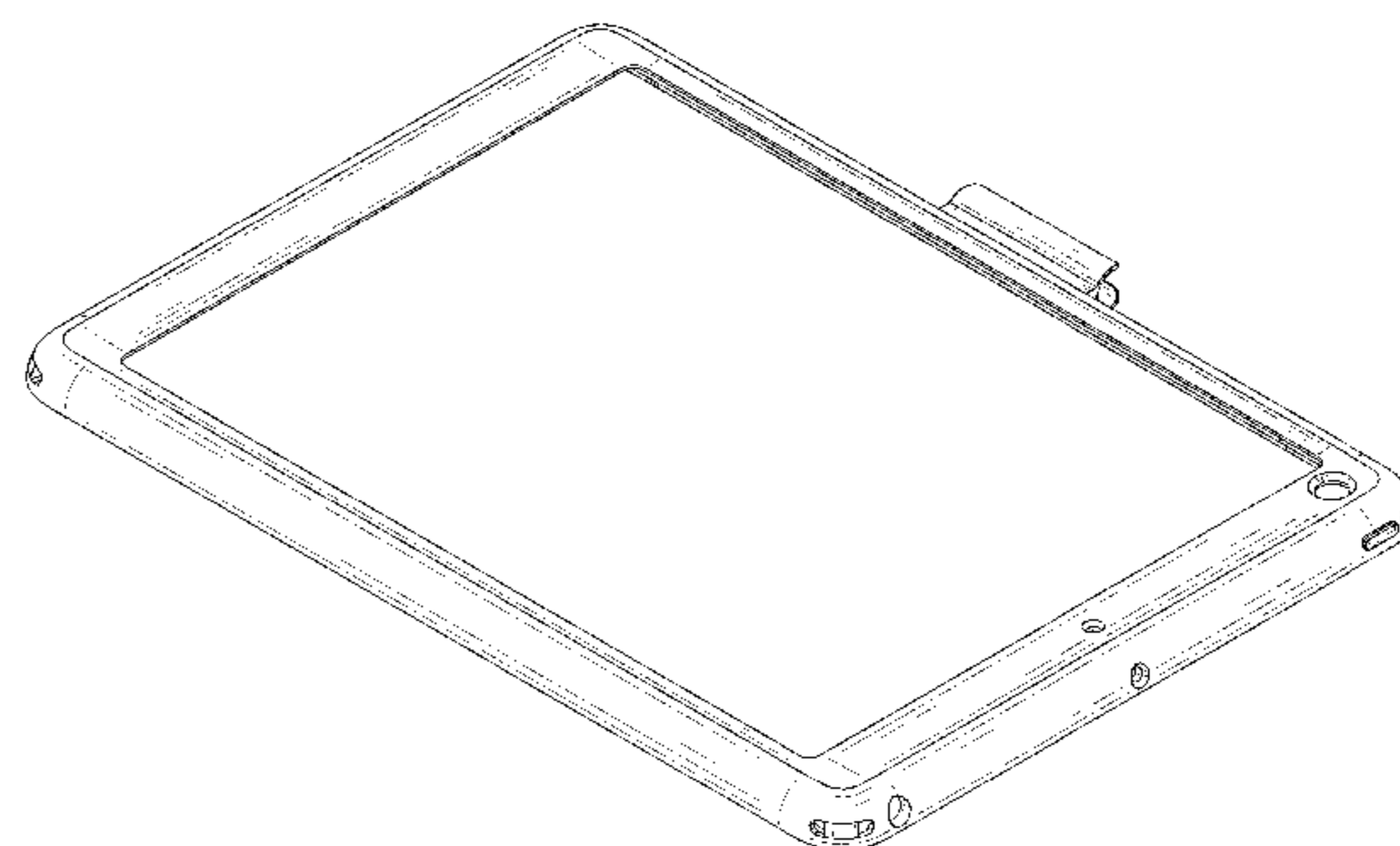
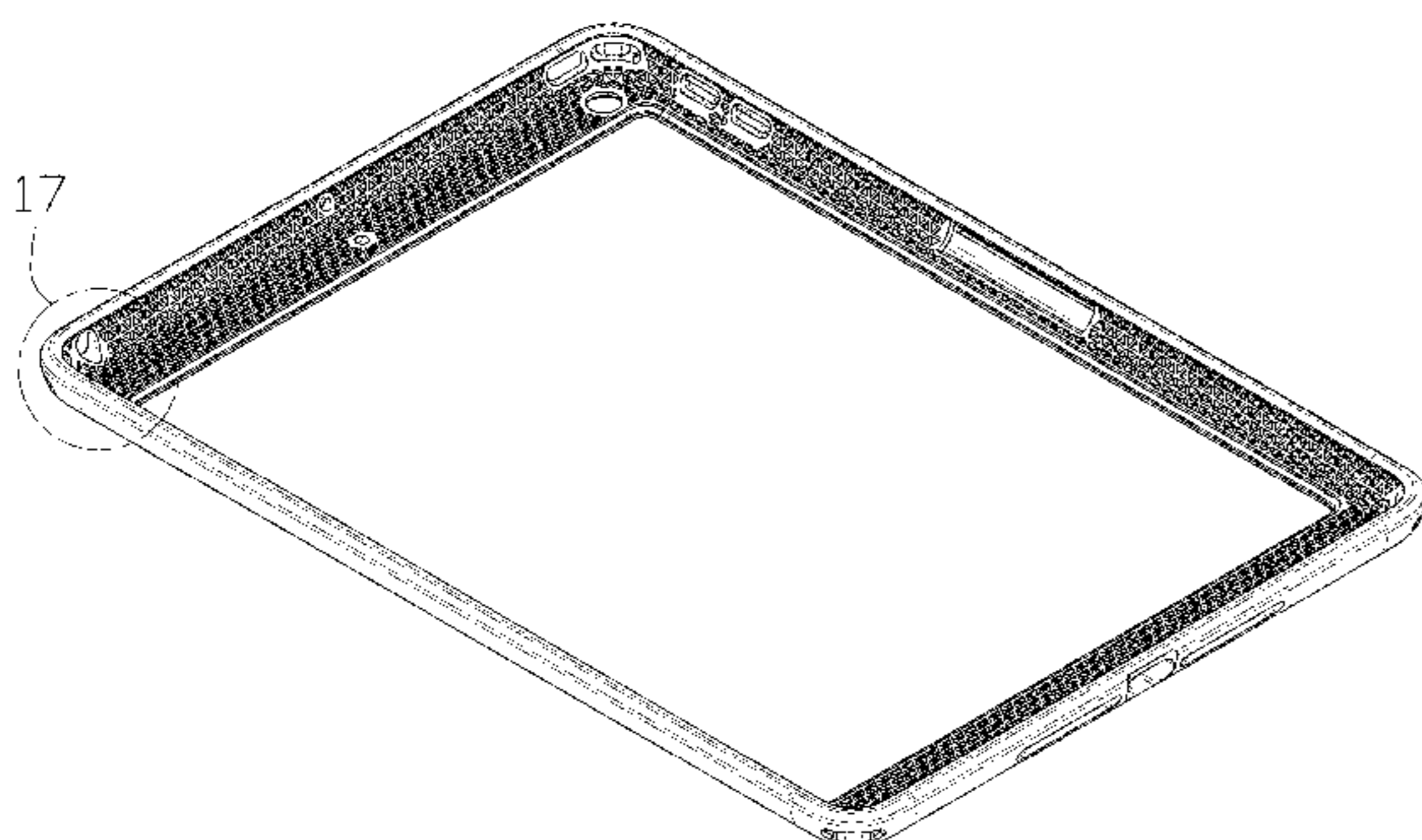
Primary Examiner — Cynthia R Underwood
(74) *Attorney, Agent, or Firm* — Dinsmore & Shohl LLP

(57) **CLAIM**

The ornamental design for a protective case, as shown and described.

The dot-dash broken lines in FIG. 2 delineate a portion of the claimed design that is shown on an enlarged scale in FIG. 17. The dot-dash broken lines form no part of the claimed design.

1 Claim, 17 Drawing Sheets



(56)

References Cited

U.S. PATENT DOCUMENTS

8,289,115 B2 10/2012 Cretella, Jr. et al.
 8,328,008 B2 12/2012 Diebel et al.
 8,344,836 B2 1/2013 Lauder et al.
 8,382,059 B2 2/2013 Le Gette et al.
 8,390,411 B2 3/2013 Lauder et al.
 8,390,412 B2 3/2013 Lauder et al.
 8,393,464 B2 3/2013 Yang et al.
 8,395,465 B2 3/2013 Lauder et al.
 D680,120 S 4/2013 Cho et al.
 D685,357 S * 7/2013 Rekuc D14/250
 8,544,639 B2 10/2013 Yang et al.
 8,576,031 B2 11/2013 Lauder et al.
 8,624,695 B2 1/2014 Cretella, Jr. et al.
 8,714,510 B2 5/2014 McCosh et al.
 8,780,535 B2 7/2014 Mongan et al.
 8,899,415 B2 12/2014 McCosh et al.
 8,960,421 B1 2/2015 Diebel
 8,960,634 B2 2/2015 Le Gette et al.
 9,056,696 B1 6/2015 Reyes
 9,225,377 B1 12/2015 Hart
 9,259,076 B2 2/2016 Gayler
 9,264,088 B2 2/2016 Wojcik et al.
 9,267,638 B2 2/2016 Le Gette et al.
 D753,124 S 4/2016 Corcoran et al.
 D754,132 S 4/2016 Dahlberg
 D754,133 S 4/2016 Chen et al.
 D754,666 S 4/2016 Tiffen et al.
 9,316,344 B2 4/2016 Le Gette et al.
 D755,172 S 5/2016 Lee et al.
 D757,017 S 5/2016 Sirichai
 D757,018 S 5/2016 Pearce
 D757,704 S * 5/2016 Roberts D14/250
 D759,658 S * 6/2016 Lai D14/440
 D761,263 S 7/2016 Brinkman et al.
 D762,218 S 7/2016 Sirichai
 D762,219 S 7/2016 Armstrong et al.
 D762,651 S 8/2016 Edwards et al.
 D763,264 S 8/2016 Smith et al.
 D763,853 S 8/2016 Pearce
 D763,854 S 8/2016 Domke et al.
 D763,855 S 8/2016 Poon et al.
 D763,856 S 8/2016 Moore
 D764,472 S 8/2016 Corcoran et al.
 D764,474 S 8/2016 Penn
 D764,475 S 8/2016 Penn

D765,085 S * 8/2016 Moore D14/440
 D765,086 S 8/2016 Lee et al.
 D766,248 S 9/2016 Holladay et al.
 D766,249 S 9/2016 Veltz et al.
 9,444,506 B2 * 9/2016 Lai H04B 1/3888
 D769,880 S 10/2016 Moore et al.
 D770,458 S 11/2016 Corcoran et al.
 D772,881 S 11/2016 Chang et al.
 D773,470 S 12/2016 Akana et al.
 D775,132 S 12/2016 Smith et al.
 D775,628 S 1/2017 Brown et al.
 D776,120 S 1/2017 Brown et al.
 D776,122 S 1/2017 Akana et al.
 D776,123 S 1/2017 Akana et al.
 D777,727 S 1/2017 Maicon et al.
 9,538,675 B2 1/2017 Le Gette et al.
 9,568,954 B2 2/2017 Lauder et al.
 D781,278 S 3/2017 Kim et al.
 D781,863 S * 3/2017 Lai D14/440
 D784,348 S 4/2017 Zhang
 D784,350 S 4/2017 Li
 D784,995 S 4/2017 Akana et al.
 D785,636 S 5/2017 Oberpriller et al.
 D785,637 S 5/2017 Hennings et al.
 D786,256 S 5/2017 Stewart
 D786,257 S 5/2017 Feldman
 D786,881 S 5/2017 Stewart et al.
 9,661,906 B2 5/2017 Diebel et al.
 D789,936 S 6/2017 Nyholm
 D789,937 S 6/2017 Zhang
 D790,550 S 6/2017 Chen
 9,680,518 B2 6/2017 Wojcik et al.
 D795,264 S * 8/2017 Wright D14/439
 D800,105 S * 10/2017 Roberts D14/250
 D800,133 S * 10/2017 Wright D14/440
 D812,618 S * 3/2018 Altaras D14/440
 D812,619 S * 3/2018 Altaras D14/440
 D819,644 S * 6/2018 Wright D14/440
 2012/0284124 A1 11/2012 Harangozo et al.
 2012/0315972 A1 12/2012 Olson et al.
 2014/0117061 A1 5/2014 Hadi
 2014/0191034 A1 7/2014 Glanzer et al.
 2014/0235963 A1 8/2014 Edwards et al.
 2015/0137734 A1 5/2015 Wojcik et al.
 2015/0365120 A1 12/2015 Wojcik et al.
 2016/0084614 A1 3/2016 Ellingson
 2016/0119013 A1 4/2016 Wojcik et al.

* cited by examiner

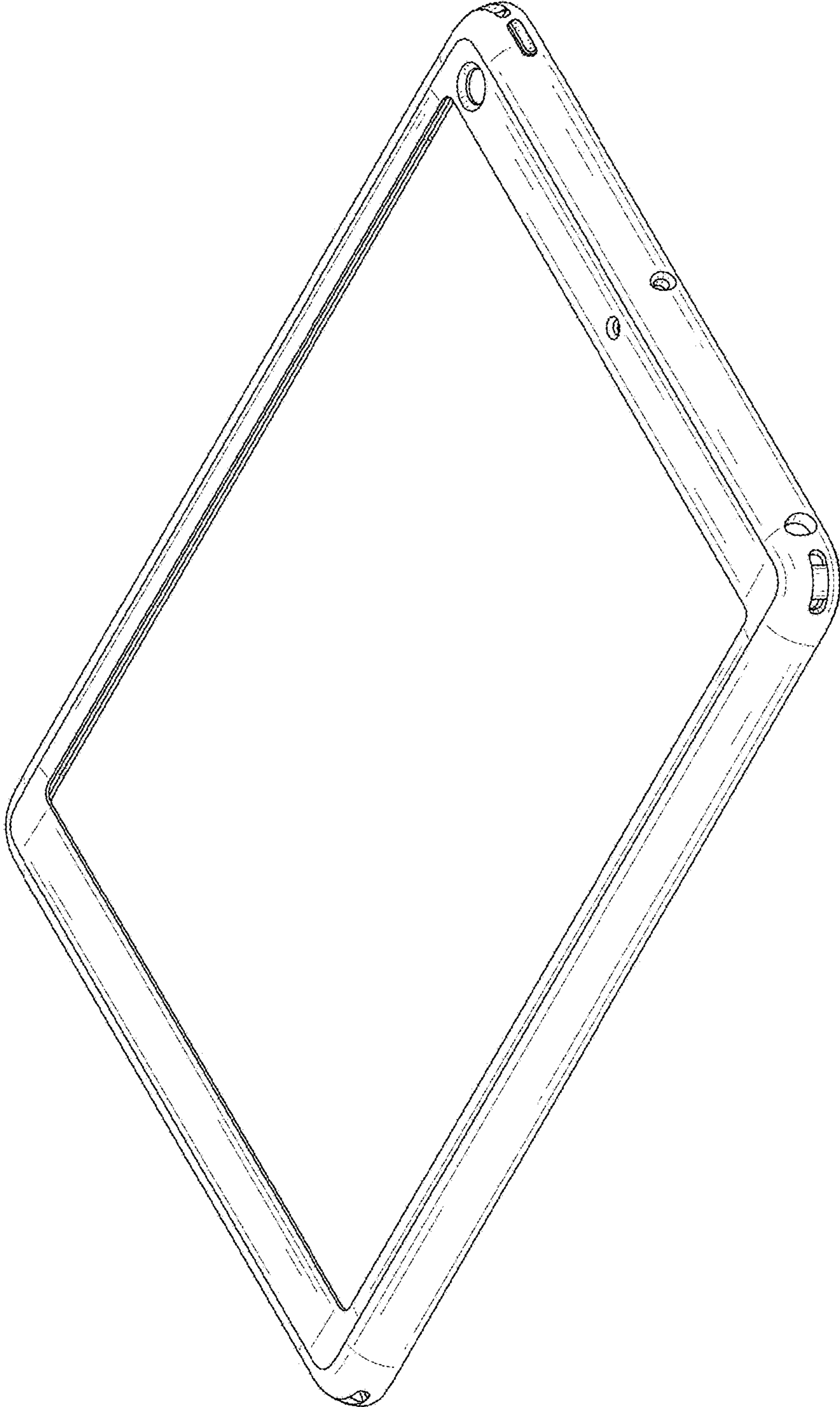


FIG. 1

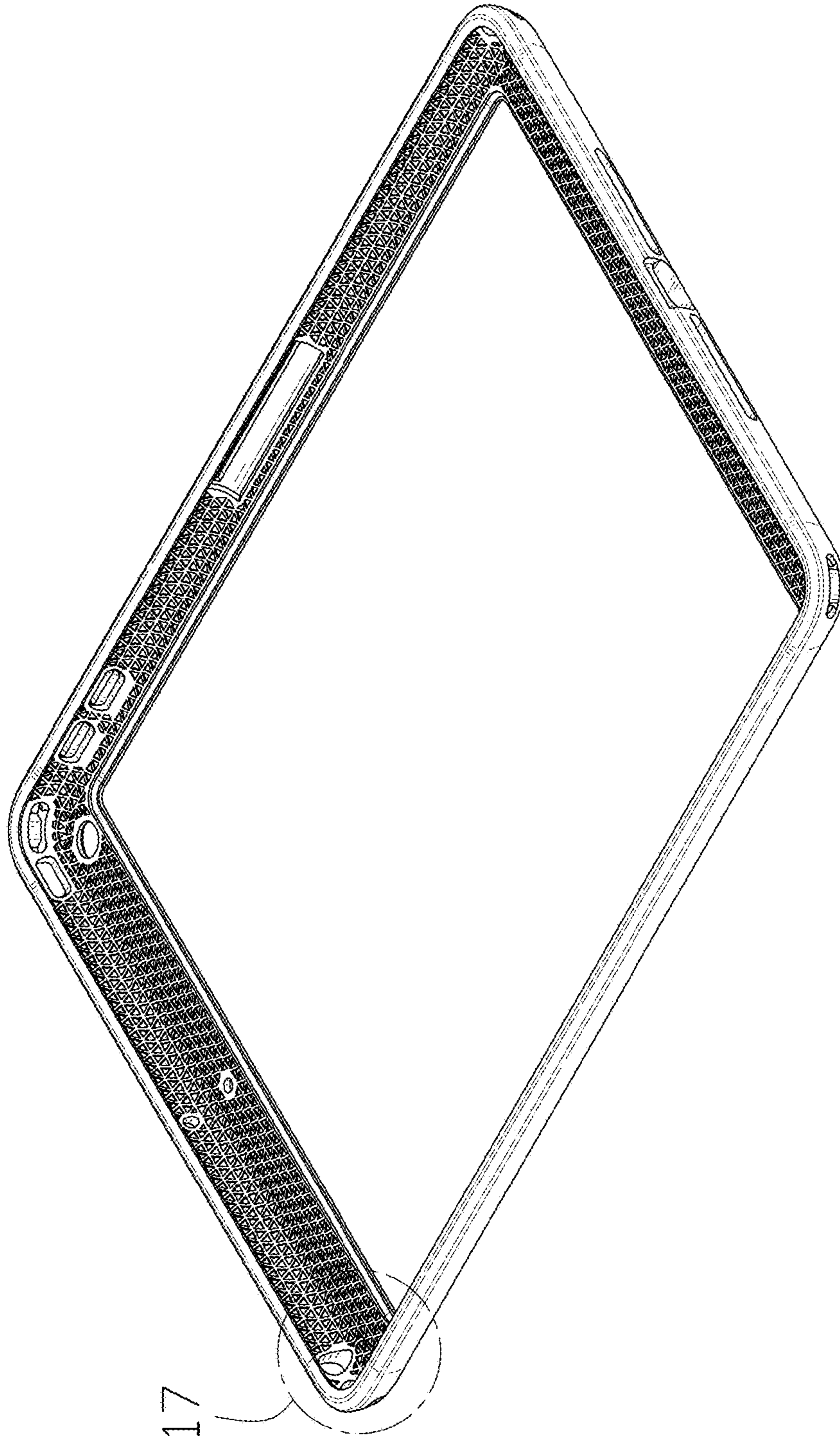


FIG. 2

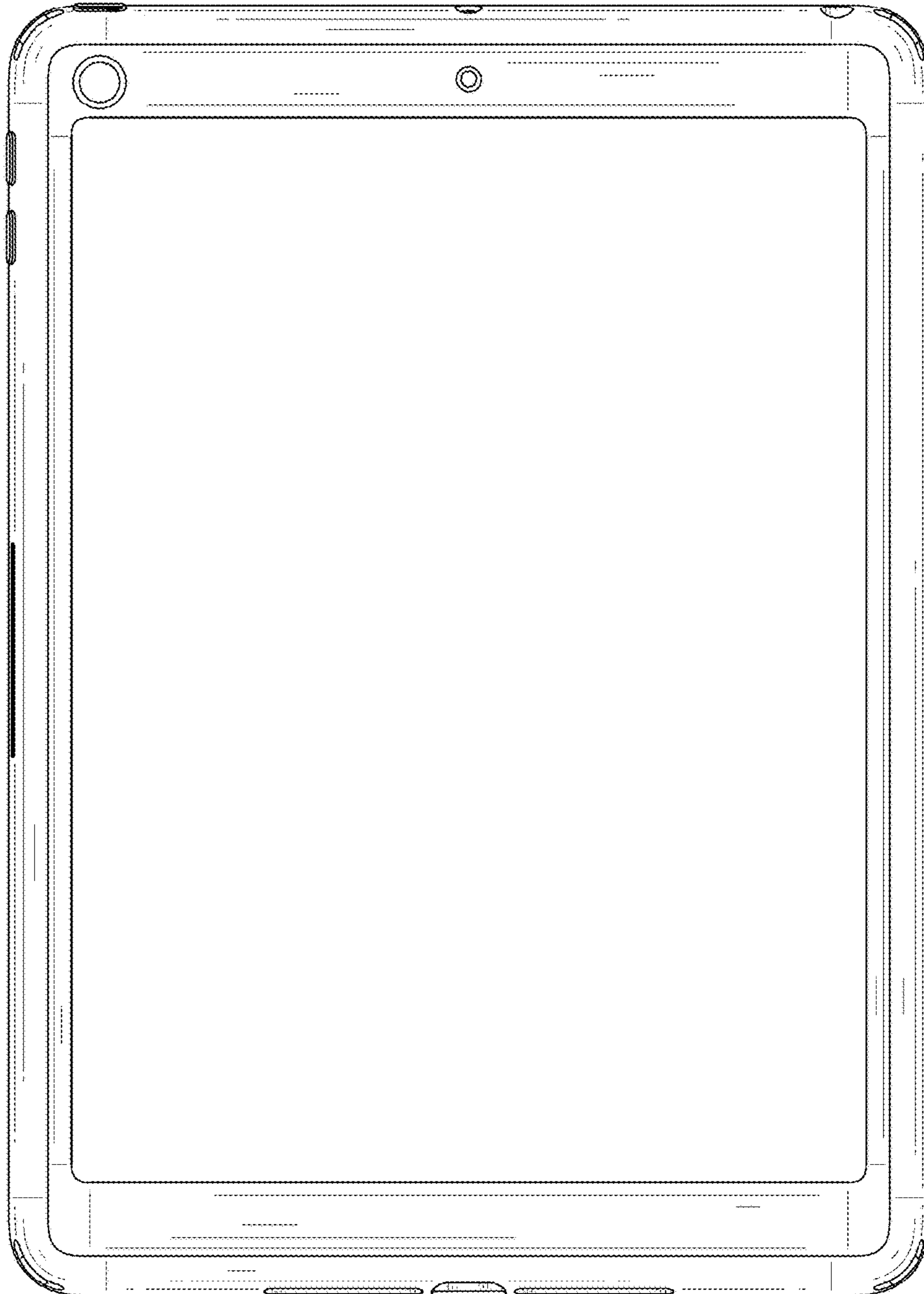


FIG. 3

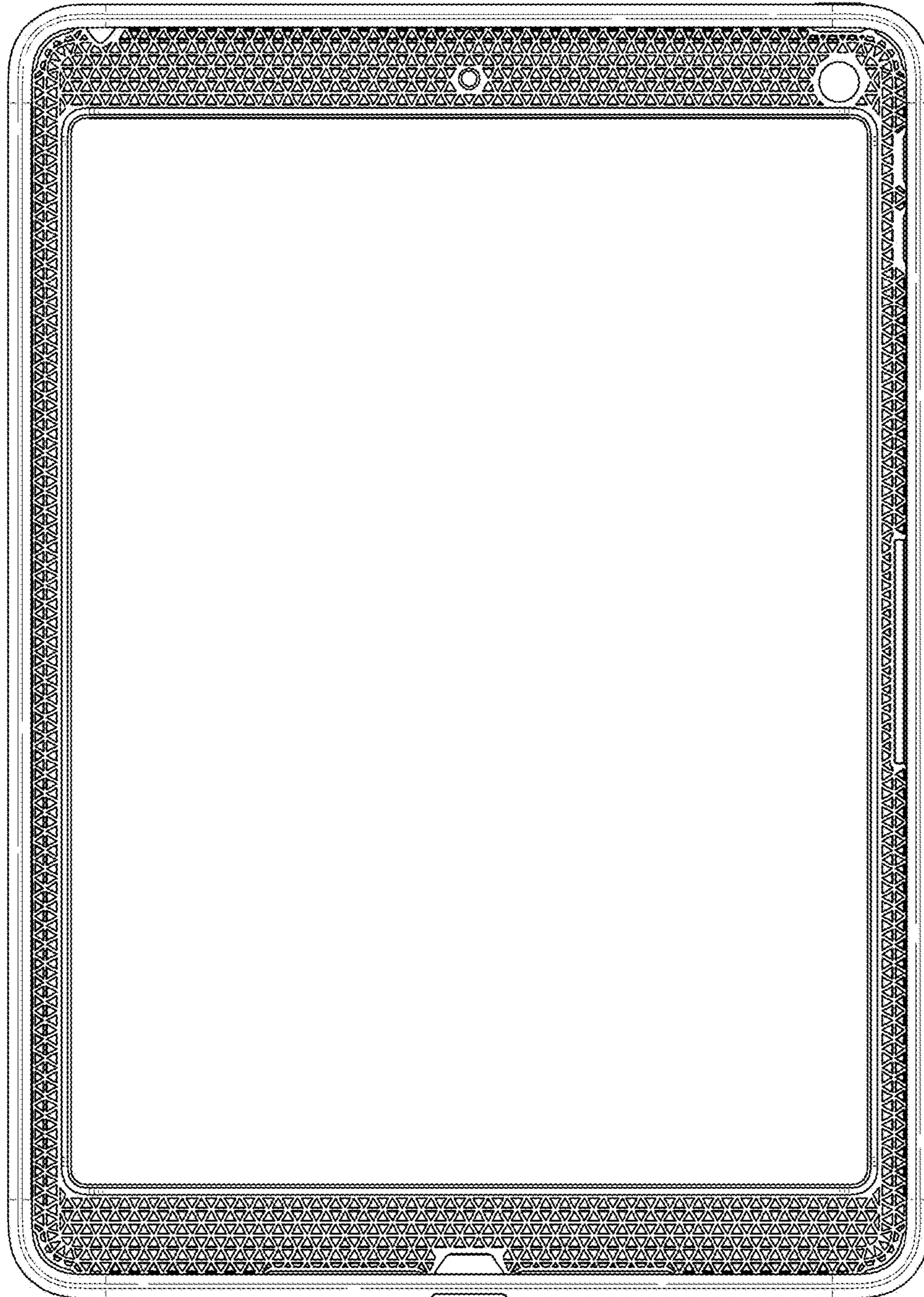


FIG. 4

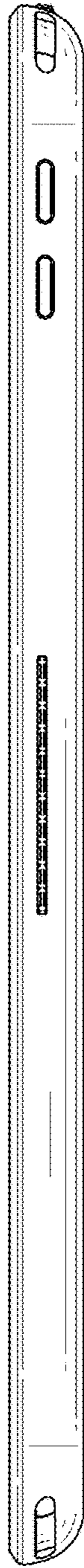


FIG. 5

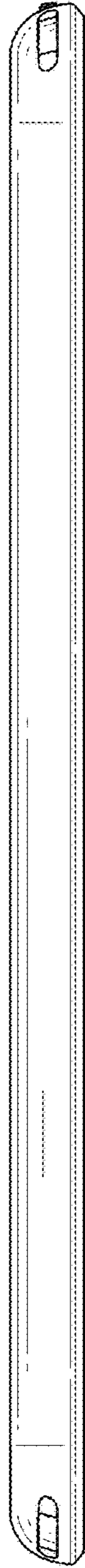


FIG. 6

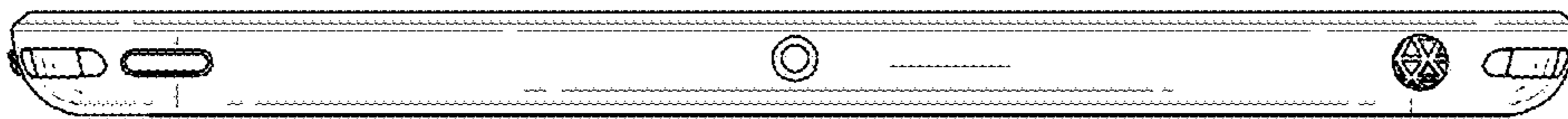


FIG. 7

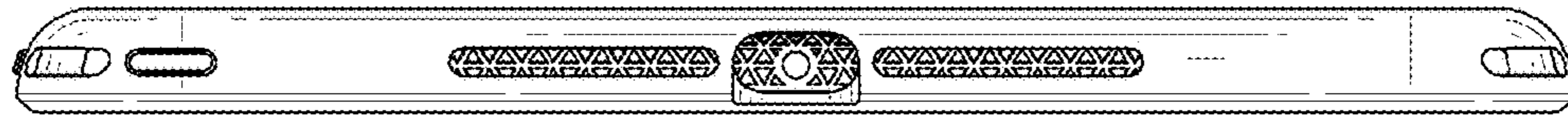


FIG. 8

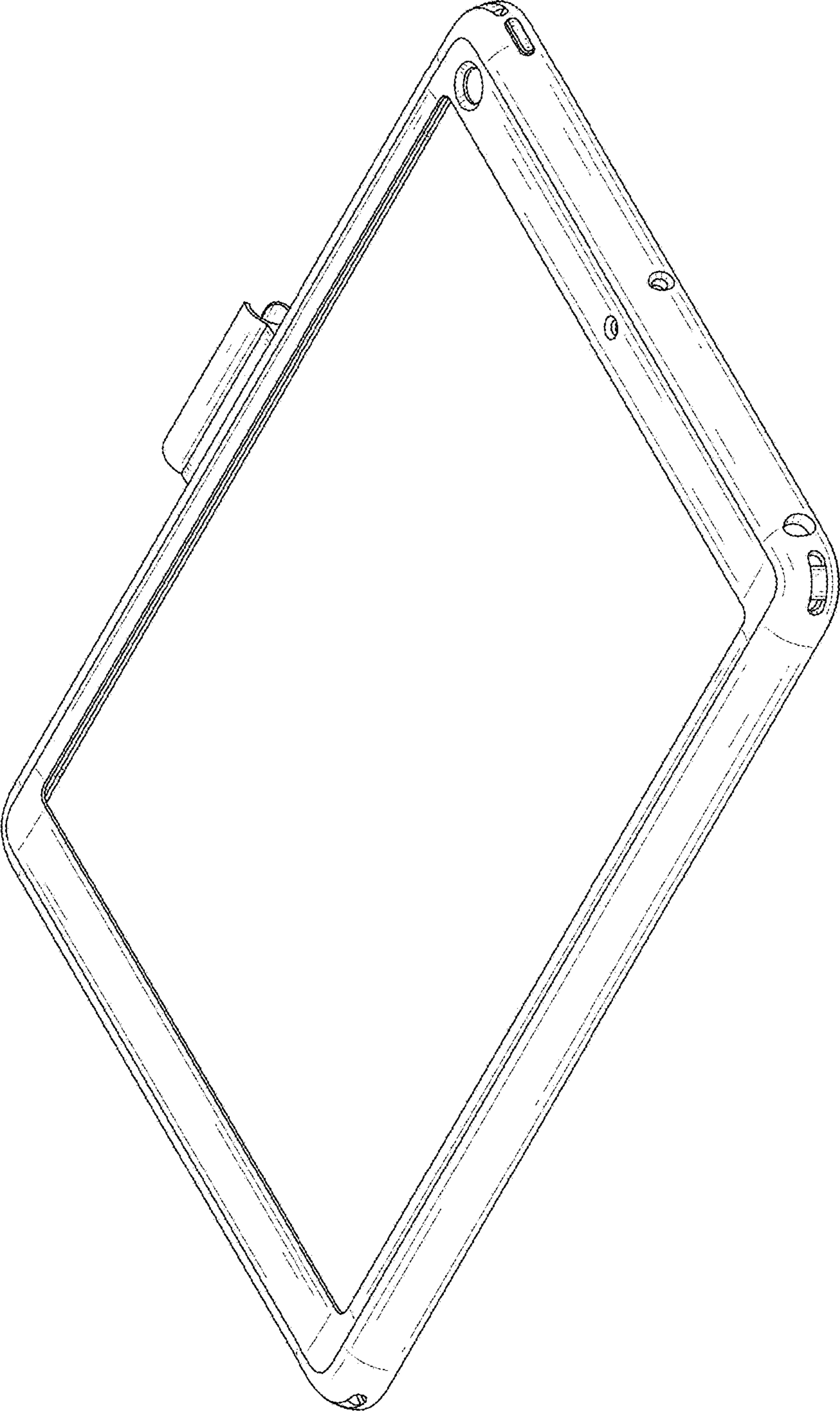


FIG. 9

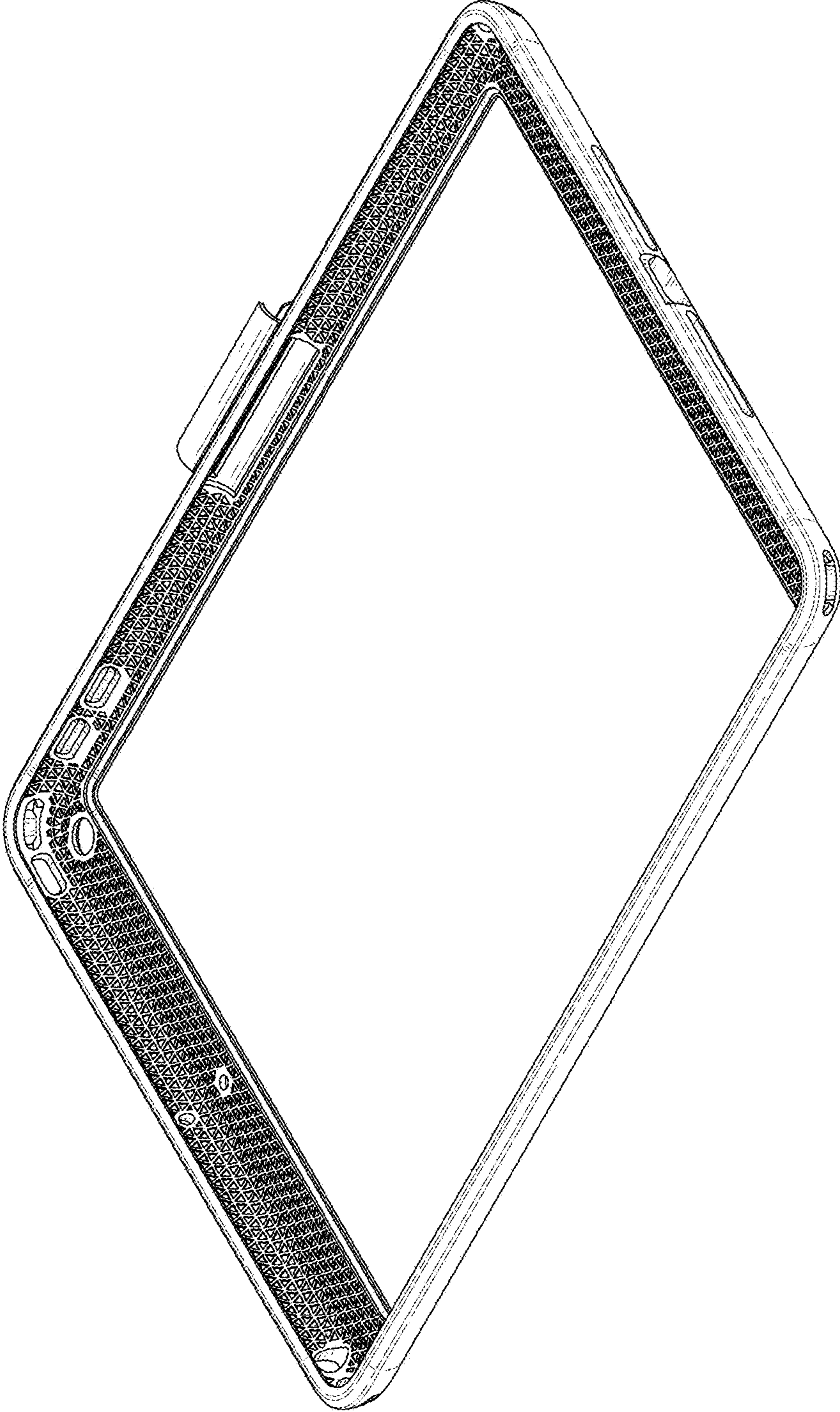


FIG. 10

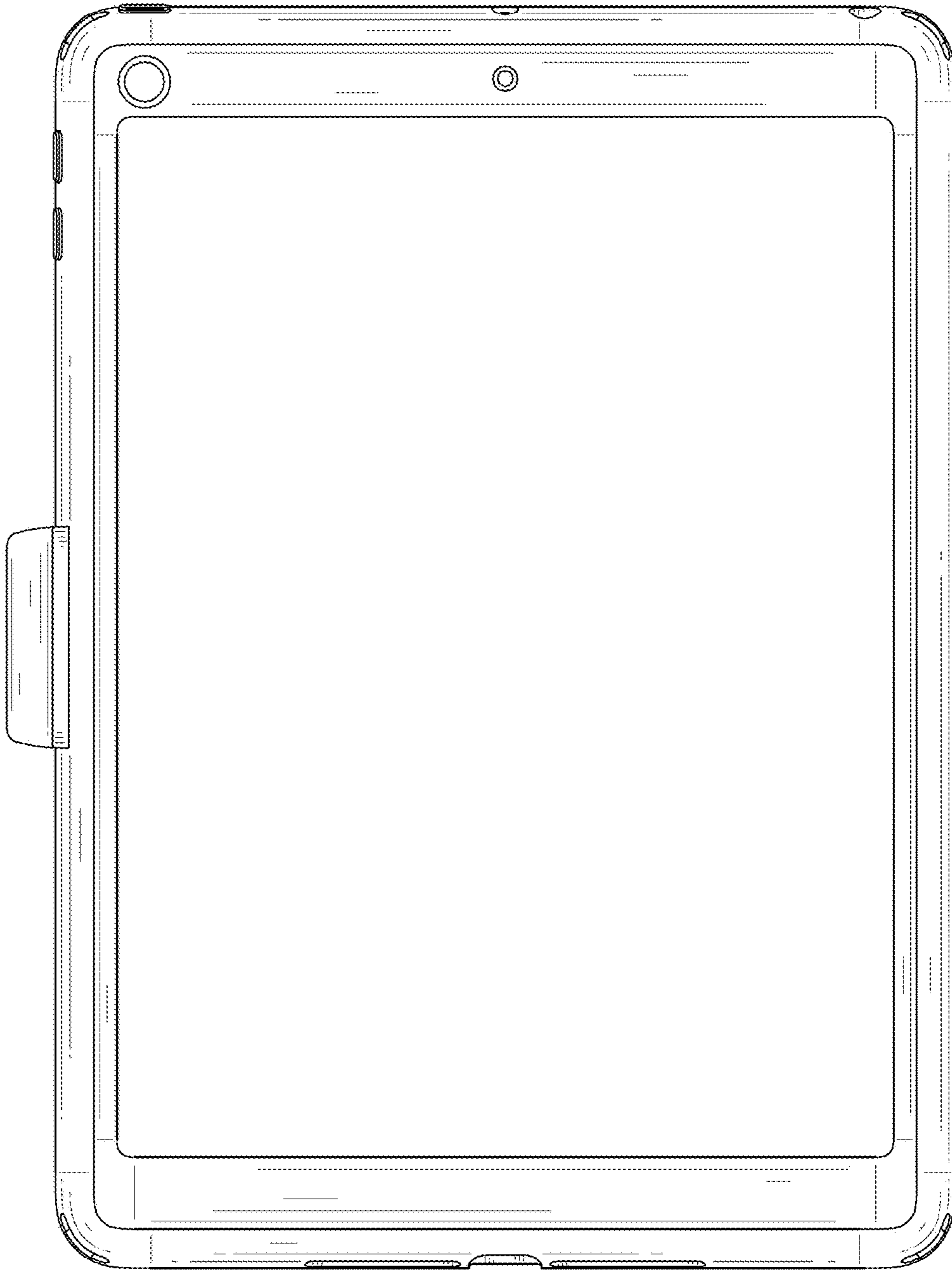


FIG. 11

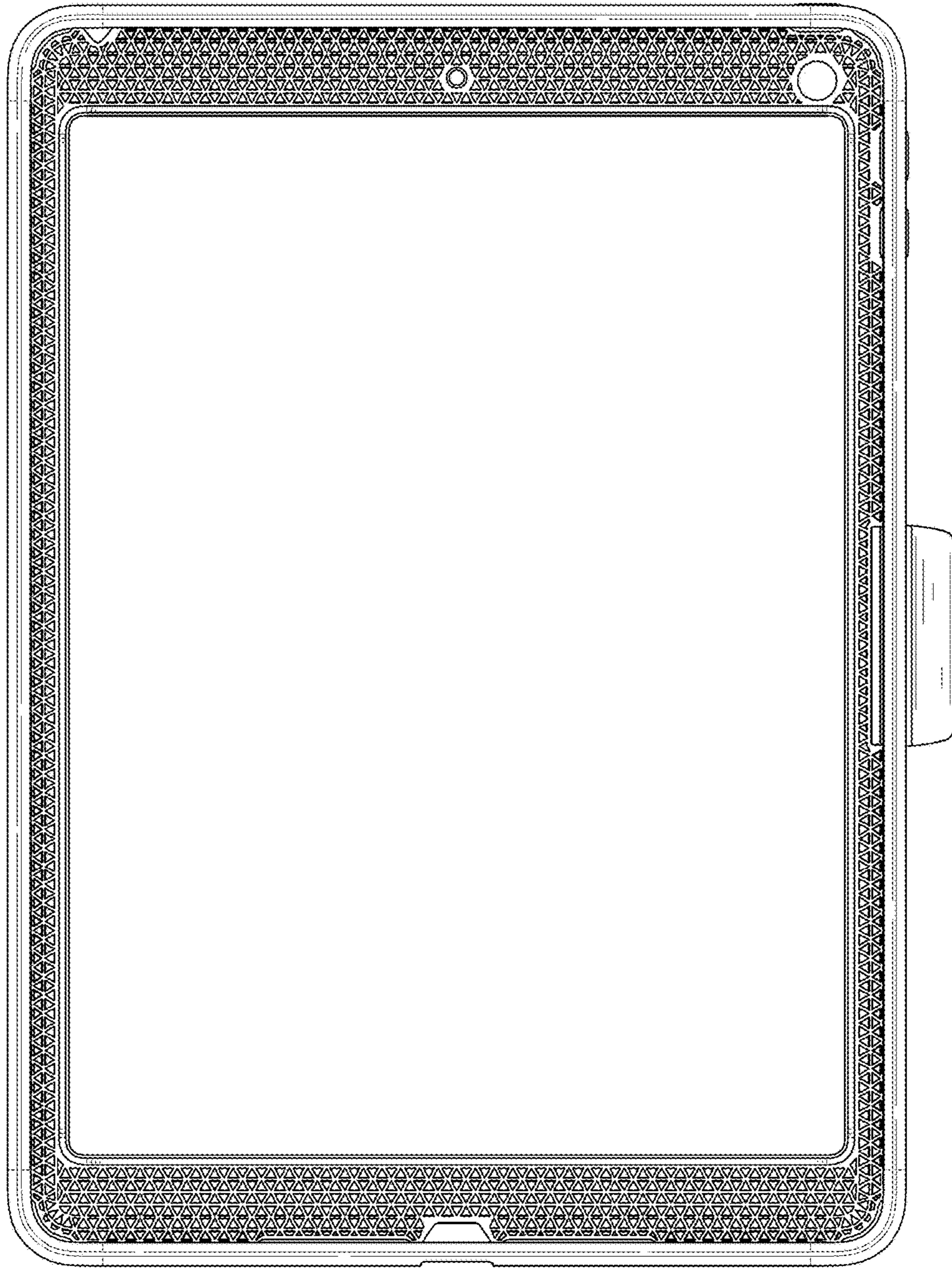


FIG. 12

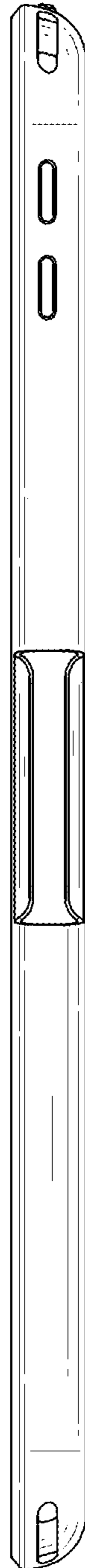


FIG. 13

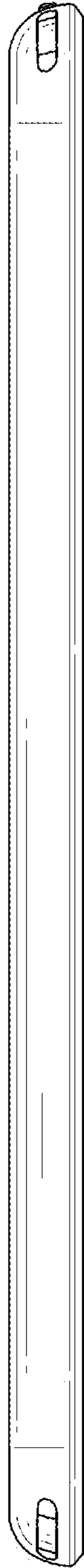


FIG. 14

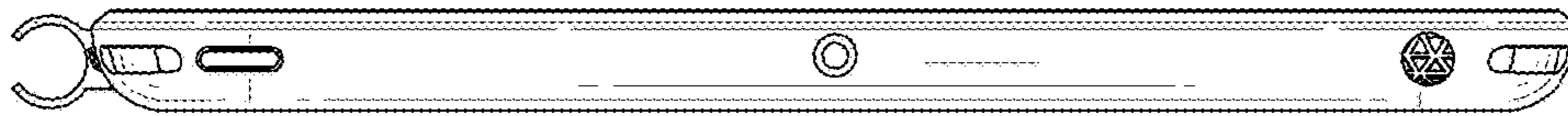


FIG. 15

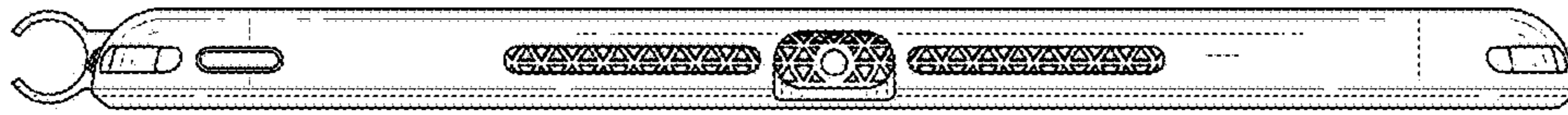


FIG. 16

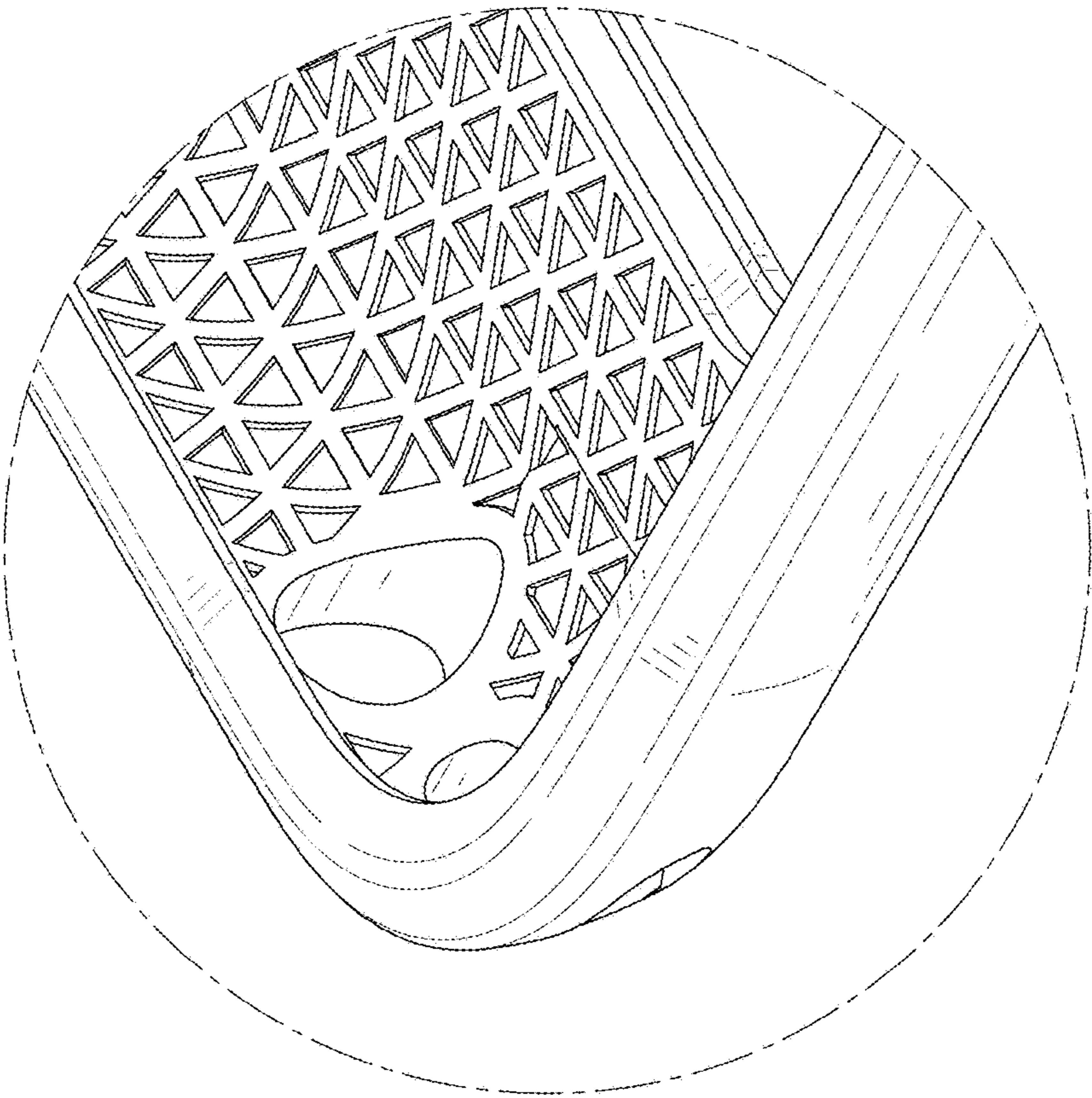


FIG. 17