



US00D837796S

(12) **United States Design Patent**
Kim et al.

(10) **Patent No.:** **US D837,796 S**
(45) **Date of Patent:** **** Jan. 8, 2019**

- (54) **PORTABLE ELECTRONIC DEVICE CASE**
- (71) Applicant: **Pioneer Square Brands, Inc.**, Seattle, WA (US)
- (72) Inventors: **Michael Heecheol Kim**, Seattle, WA (US); **Michael Cooper Ferren**, Camas, WA (US); **Jaimie Emerald Chan**, Renton, WA (US); **David Adam**, Brentwood, CA (US)
- (73) Assignee: **PIONEER SQUARE BRANDS, INC.**, McLean, VA (US)

- D691,122 S 10/2013 Bau
- D694,759 S 12/2013 Chang et al.
- D695,298 S 12/2013 Han et al.
- D696,257 S 12/2013 Ward et al.
- D709,510 S 7/2014 Soare
- D716,280 S * 10/2014 Macrina D14/250
- D716,282 S 10/2014 Melanson et al.
- D718,316 S 11/2014 Veltz et al.
- D729,252 S 5/2015 Smith et al.
- D729,811 S 5/2015 Alis
- D733,154 S * 6/2015 Armstrong D14/440
- D734,761 S 7/2015 Ballou et al.
- D763,854 S 8/2016 Donke et al.

(Continued)

Primary Examiner — Cynthia R Underwood
(74) *Attorney, Agent, or Firm* — Grandview Law

(**) Term: **15 Years**

(21) Appl. No.: **29/657,401**

(22) Filed: **Jul. 20, 2018**

(51) **LOC (11) Cl.** **14-02**

(52) **U.S. Cl.**
USPC **D14/440**

(58) **Field of Classification Search**
USPC D14/440; 206/45.23, 320, 45.2;
361/679.55; 294/25; 224/218
CPC ... G06F 1/1628; G06F 1/1626; A47B 23/044;
H04B 1/3888; H05K 5/0217
See application file for complete search history.

(56) **References Cited**

U.S. PATENT DOCUMENTS

- D574,385 S 8/2008 Koh et al.
- D574,836 S 8/2008 Koh et al.
- D636,396 S 4/2011 Li
- D641,756 S 7/2011 Hsieh et al.
- D643,843 S 8/2011 Hsieh et al.
- D665,168 S 8/2012 Dawson
- D668,660 S 10/2012 Norfolk
- D673,159 S 12/2012 McCarthy et al.
- D674,801 S 1/2013 Wharram
- D688,249 S 8/2013 Wharram

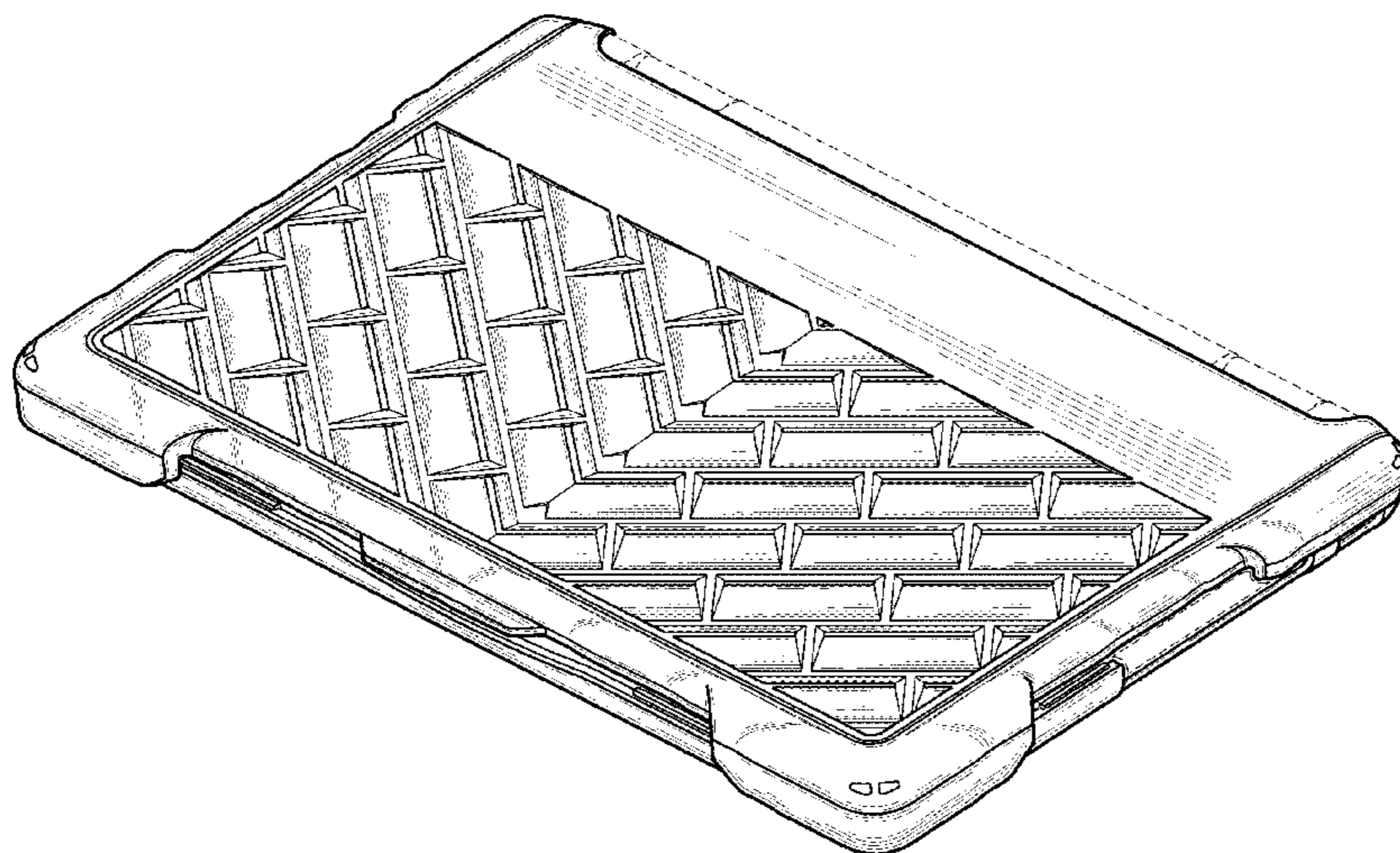
(57) **CLAIM**

The ornamental design for a portable electronic device case, as shown and described.

DESCRIPTION

FIG. 1 is a front perspective view of a first embodiment thereof.
 FIG. 2 is a front plan view thereof.
 FIG. 3 is a rear plan view thereof.
 FIG. 4 is a top elevational view thereof.
 FIG. 5 is a bottom elevational view thereof.
 FIG. 6 is a left elevational view thereof.
 FIG. 7 is a right elevational view thereof.
 FIG. 8 is a front perspective view of a second embodiment thereof.
 FIG. 9 is a front plan view thereof.
 FIG. 10 is a rear plan view thereof.
 FIG. 11 is a top elevational view thereof.
 FIG. 12 is a bottom elevational view thereof.
 FIG. 13 is a left elevational view thereof; and,
 FIG. 14 is a right elevational view thereof.
 The features shown in broken lines in the drawing figures depict features that form no part of the claimed design.

1 Claim, 6 Drawing Sheets



(56)

References Cited

U.S. PATENT DOCUMENTS

D763,856 S 8/2016 Moore
D766,249 S * 9/2016 Veltz D14/440
D770,458 S 11/2016 Corcoran et al.
D775,132 S 12/2016 Smith et al.
D777,727 S 1/2017 Maicon et al.
D789,937 S 6/2017 Zhang
D791,773 S 7/2017 Moore et al.
D794,625 S 8/2017 Armstrong et al.
D795,878 S 8/2017 English et al.
D806,082 S 12/2017 Armstrong et al.
D808,395 S * 1/2018 Fenton D14/440
D811,410 S 2/2018 Bumester
D811,412 S * 2/2018 McCurdy D14/440
D812,065 S 3/2018 Shim
D812,618 S 3/2018 Altaras
D817,334 S * 5/2018 Fenton D14/440
2015/0068934 A1 * 3/2015 Armstrong A45C 11/00
206/320
2017/0045920 A1 * 2/2017 Armstrong G06F 1/1669

* cited by examiner

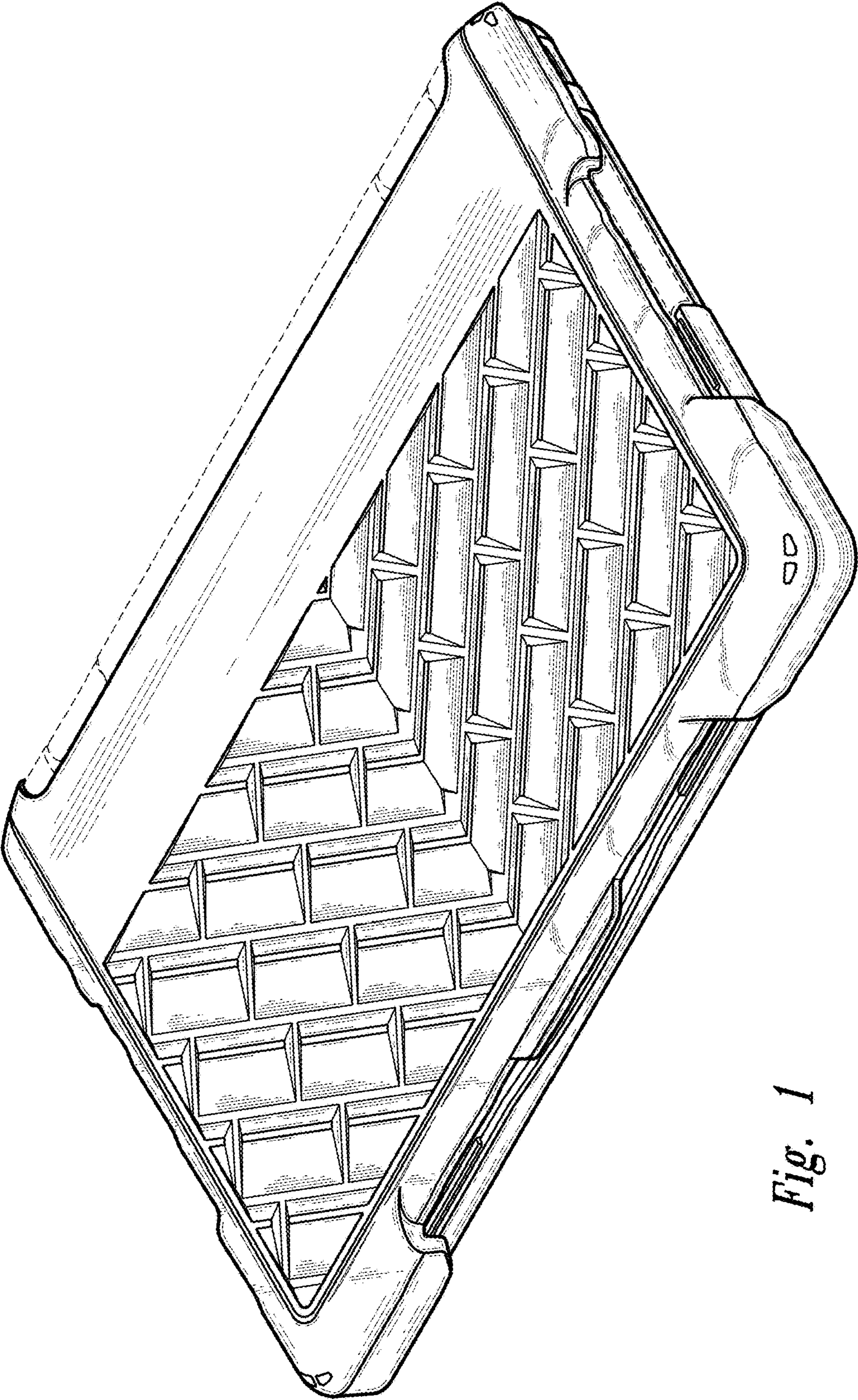


Fig. 1

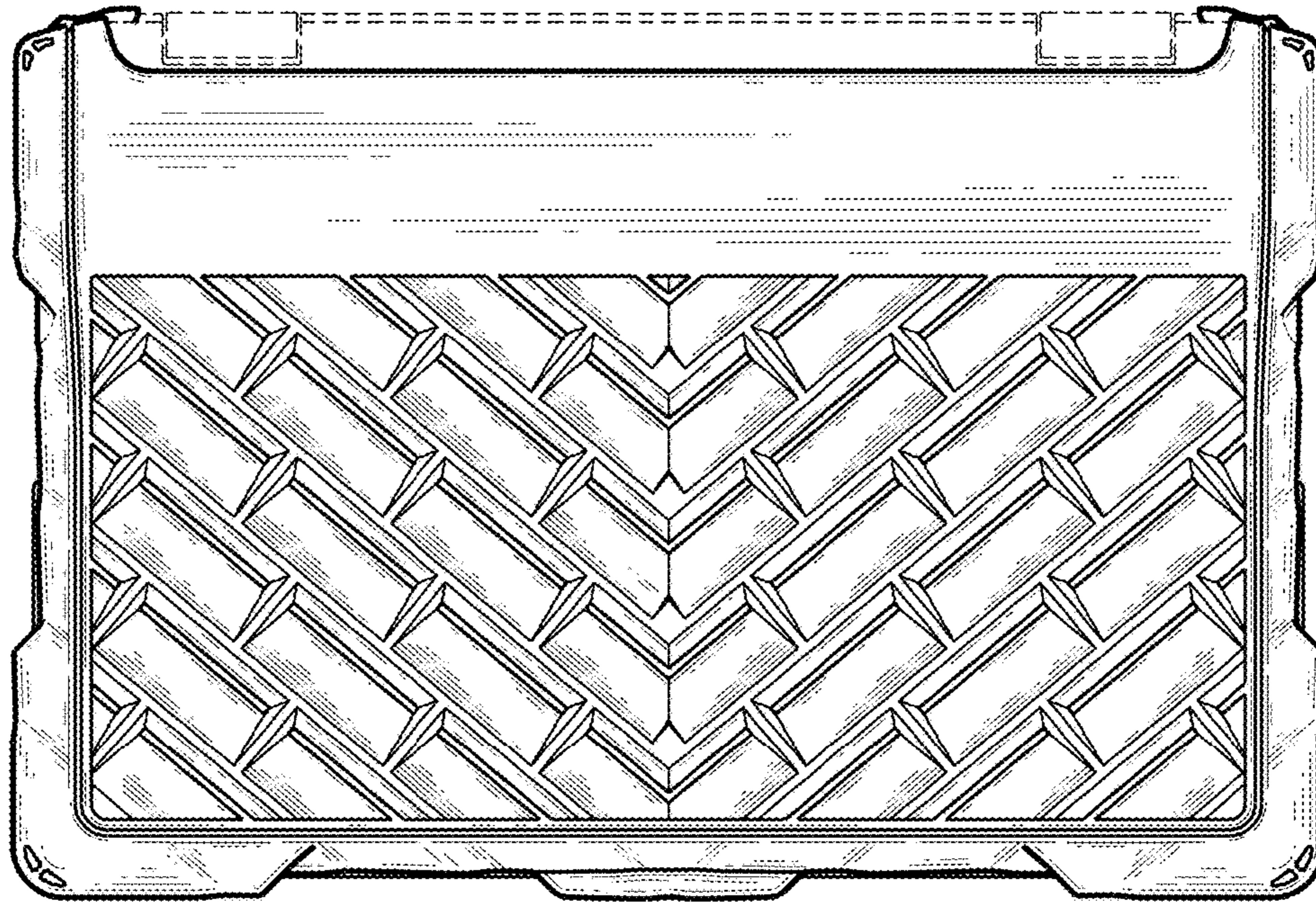


Fig. 2

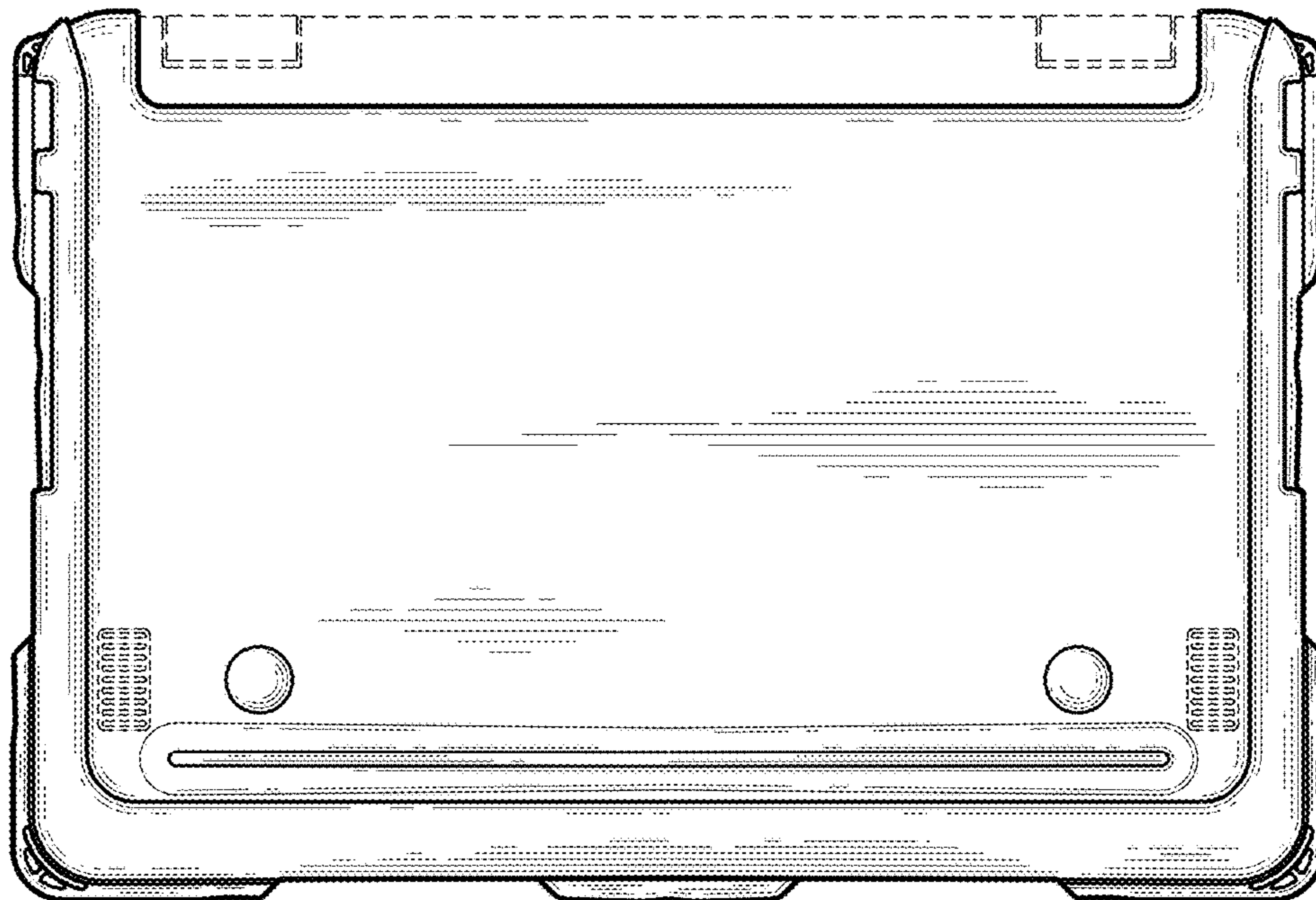


Fig. 3

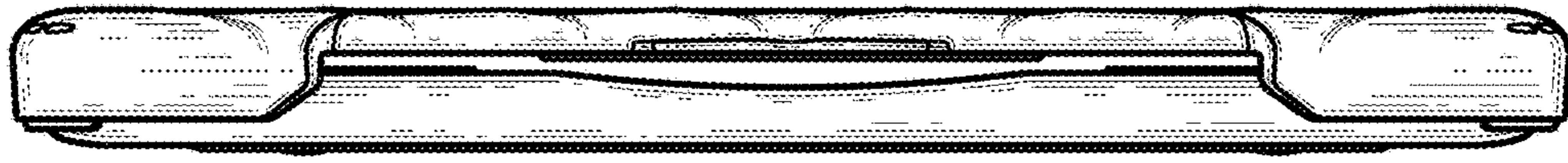


Fig. 4



Fig. 5

Fig. 6

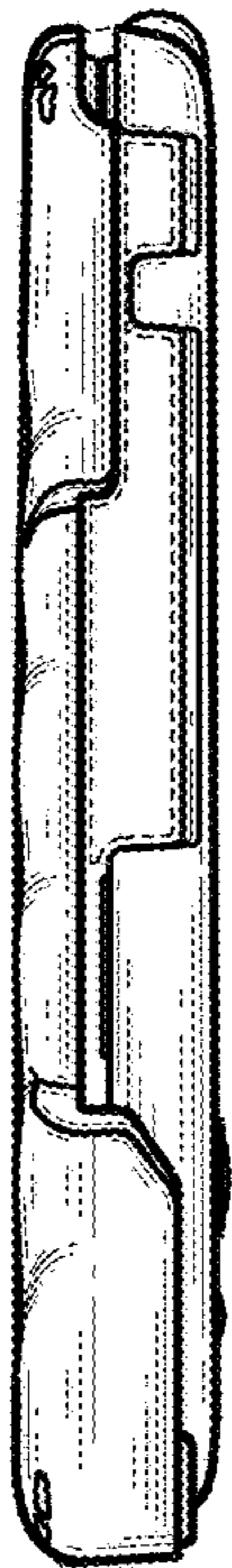
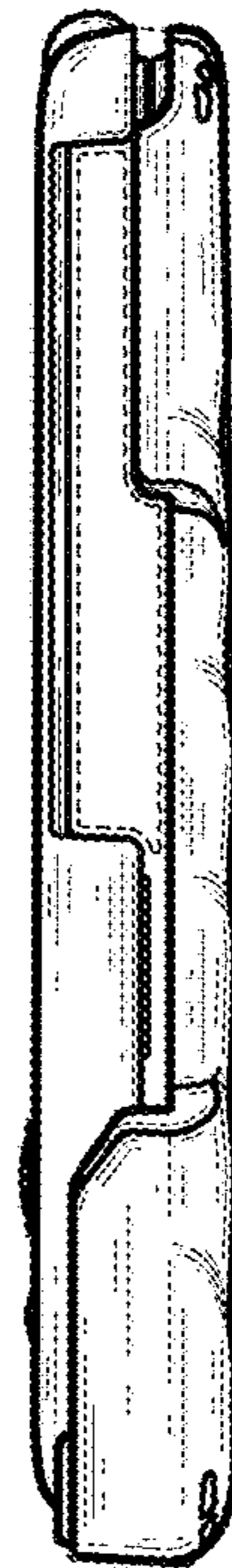


Fig. 7



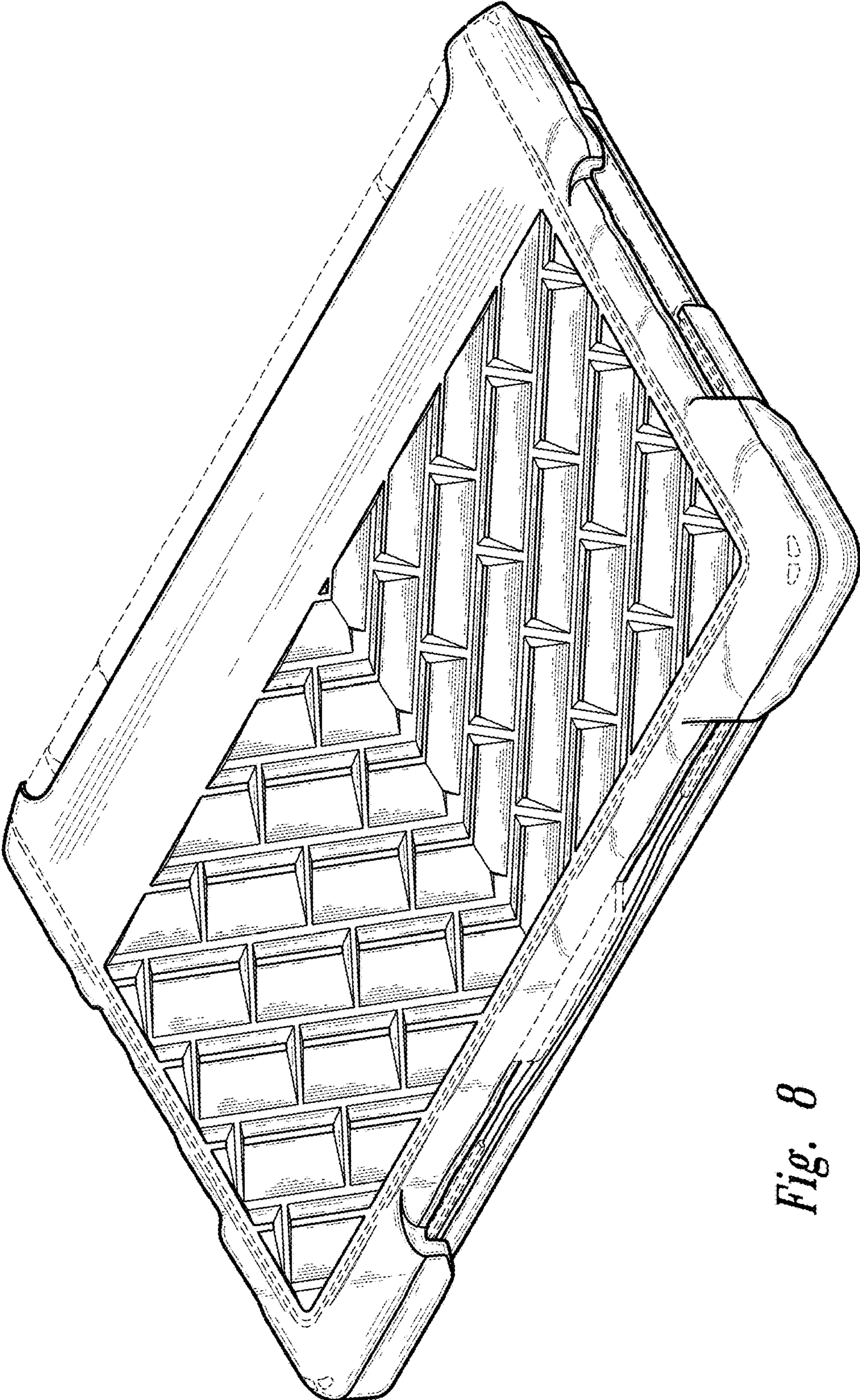


Fig. 8

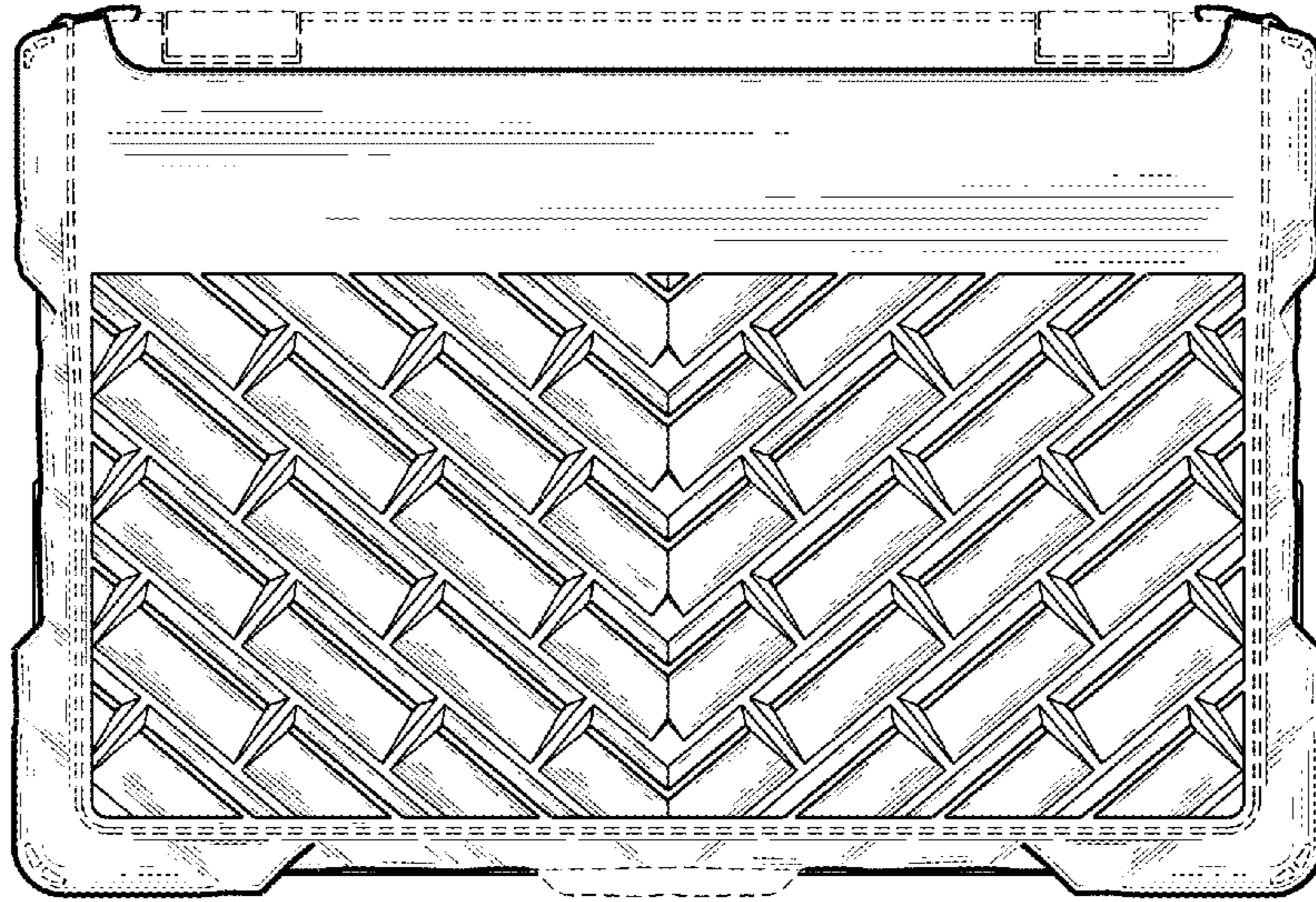


Fig. 9

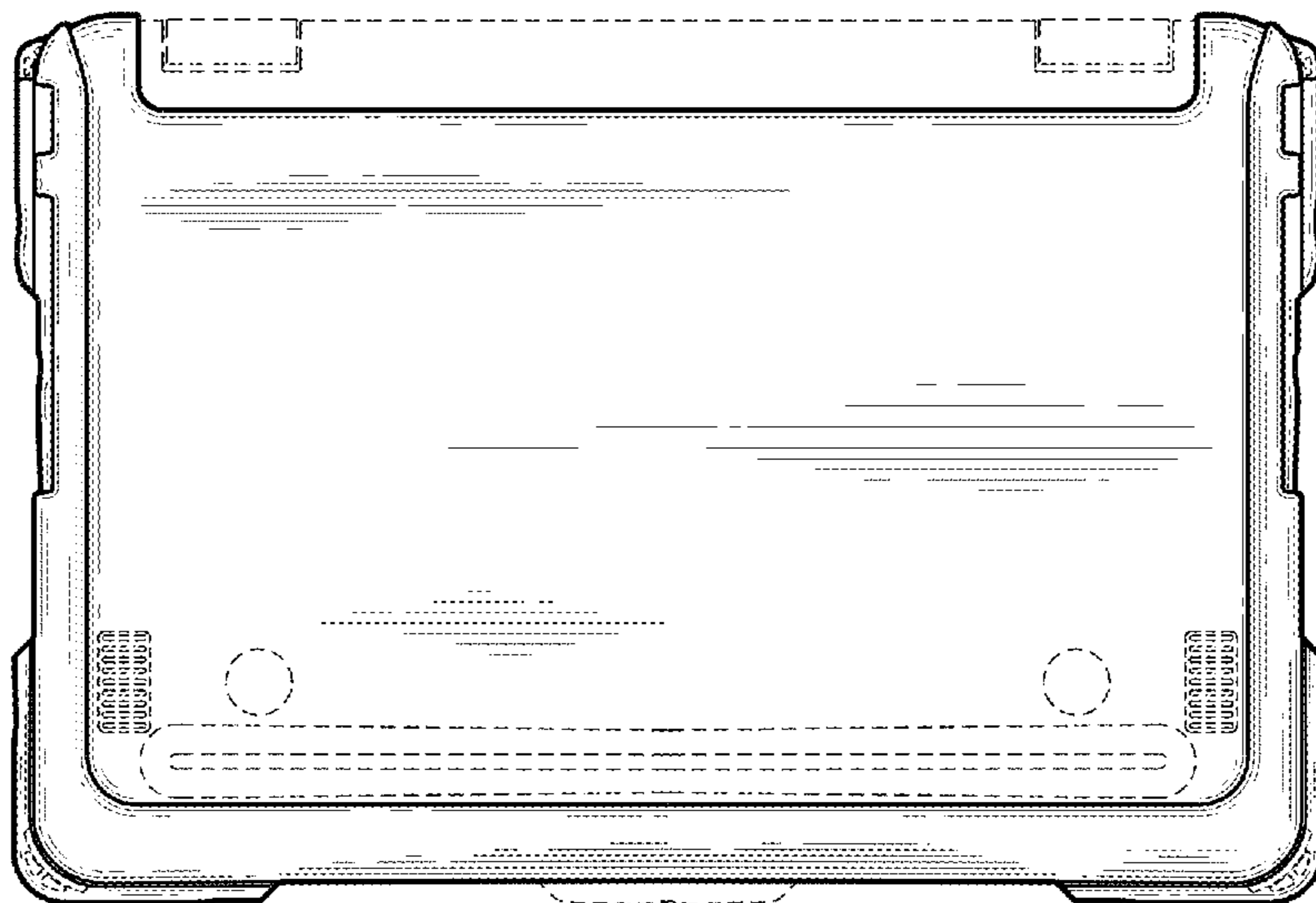


Fig. 10

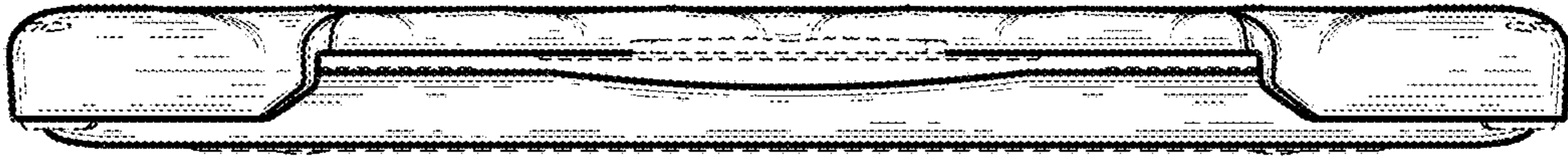


Fig. 11



Fig. 12

Fig. 13

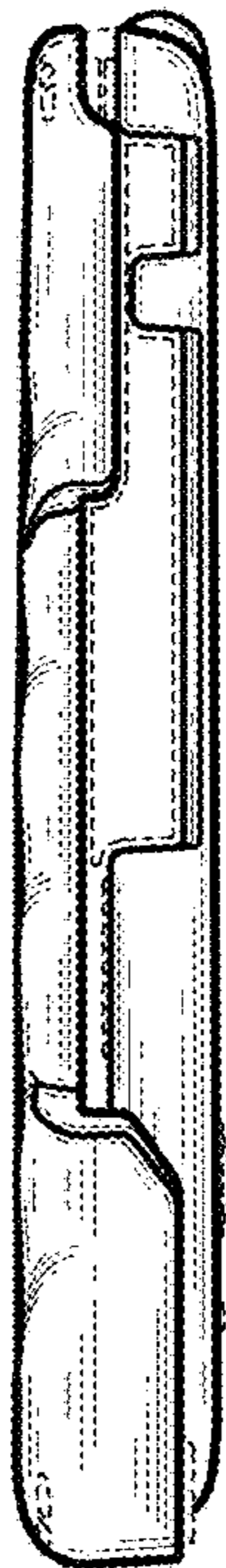


Fig. 14

