

US00D837795S

(12) **United States Design Patent**  
**Stewart et al.**

(10) **Patent No.:** **US D837,795 S**  
(45) **Date of Patent:** **\*\* Jan. 8, 2019**

- (54) **ELECTRONIC DEVICE CASE**
- (71) Applicant: **Griffin Technology, LLC**, Irvine, CA (US)
- (72) Inventors: **Brittany L. Stewart**, Nashville, TN (US); **Daniel Poon**, Nashville, TN (US)
- (73) Assignee: **Griffin Technology, LLC**, Irvine, CA (US)
- (\*\*) Term: **15 Years**
- (21) Appl. No.: **29/632,012**
- (22) Filed: **Jan. 4, 2018**

**Related U.S. Application Data**

- (63) Continuation of application No. 29/603,736, filed on May 11, 2017, now Pat. No. Des. 807,368, which is a continuation of application No. 29/555,804, filed on Feb. 25, 2016, now Pat. No. Des. 786,881.
- (51) **LOC (11) Cl.** ..... **14-02**
- (52) **U.S. Cl.**  
USPC ..... **D14/440**
- (58) **Field of Classification Search**  
USPC ..... D14/440; D8/440; 261/45.23, 320, 45.2; 361/679.55; 29/25  
CPC ..... G06F 1/628; G06F 1/626; H04B 1/3555; H05K 5/0217  
See application file for complete search history.

**References Cited**

**U.S. PATENT DOCUMENTS**

- D600,699 S \* 9/2009 Johnston ..... D14/440
- D669,480 S \* 10/2012 Piedra ..... D14/440
- D692,434 S \* 10/2013 Kim ..... D14/440
- D696,253 S \* 12/2013 Akana ..... D14/345

- D696,256 S \* 12/2013 Piedra ..... D14/440
- D730,913 S \* 6/2015 Shao ..... D14/440
- D760,708 S \* 7/2016 Hirst ..... D14/250
- D766,907 S \* 9/2016 Veltz ..... D14/440
- D772,881 S \* 11/2016 Chang ..... D14/440
- D824,391 S \* 7/2018 Melmon ..... D14/440
- 2010/0294683 A1 \* 11/2010 Mish ..... A45C 11/00 206/320
- 2012/0037523 A1 \* 2/2012 Diebel ..... A45C 11/00 206/320
- 2012/0308981 A1 \* 12/2012 Libin ..... G09B 3/00 434/362
- 2013/0020216 A1 \* 1/2013 Chiou ..... G06F 1/1626 206/320

\* cited by examiner

*Primary Examiner* — Cynthia R Underwood  
(74) *Attorney, Agent, or Firm* — Manatt, Phelps & Phillips, LLP

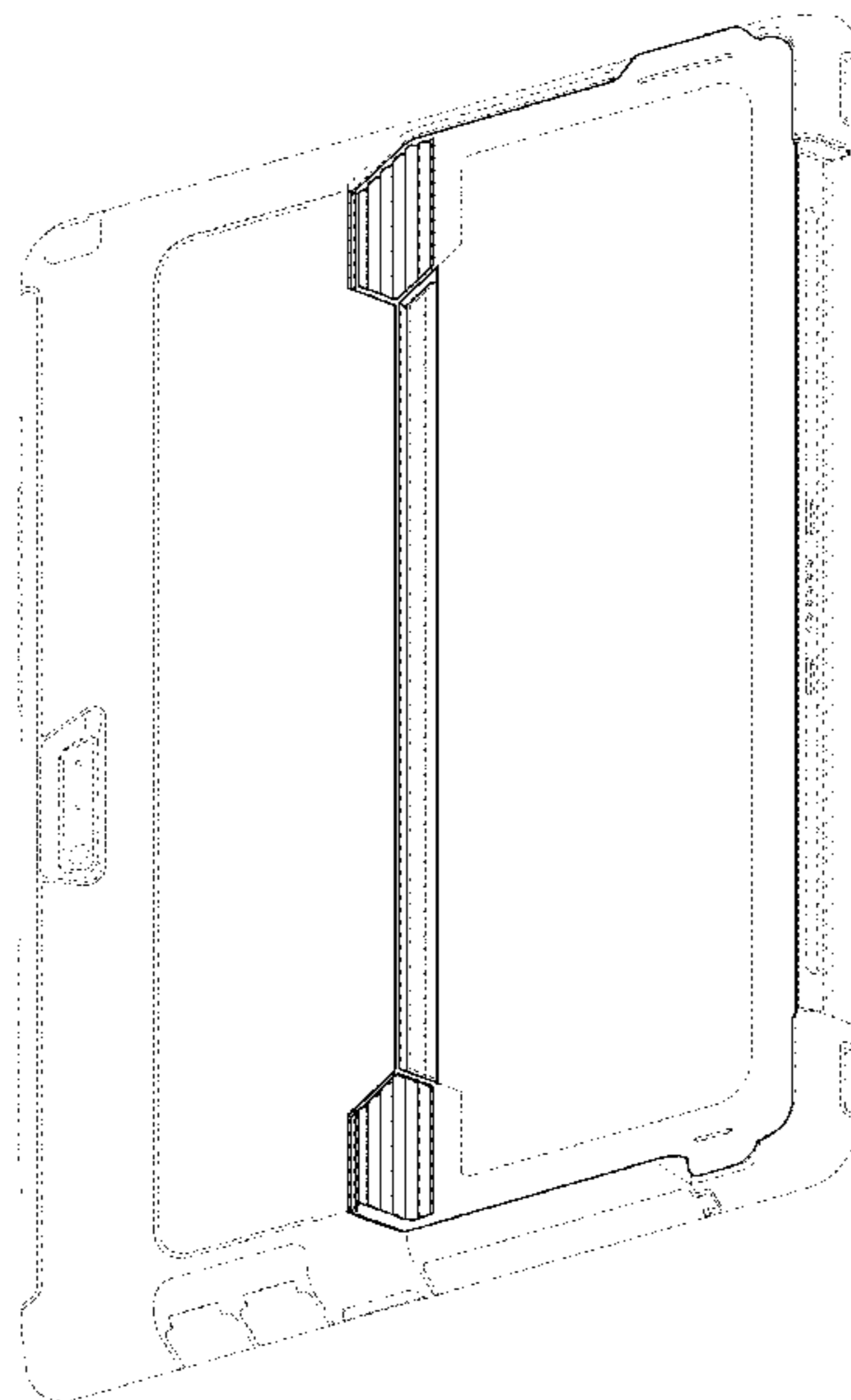
(57) **CLAIM**

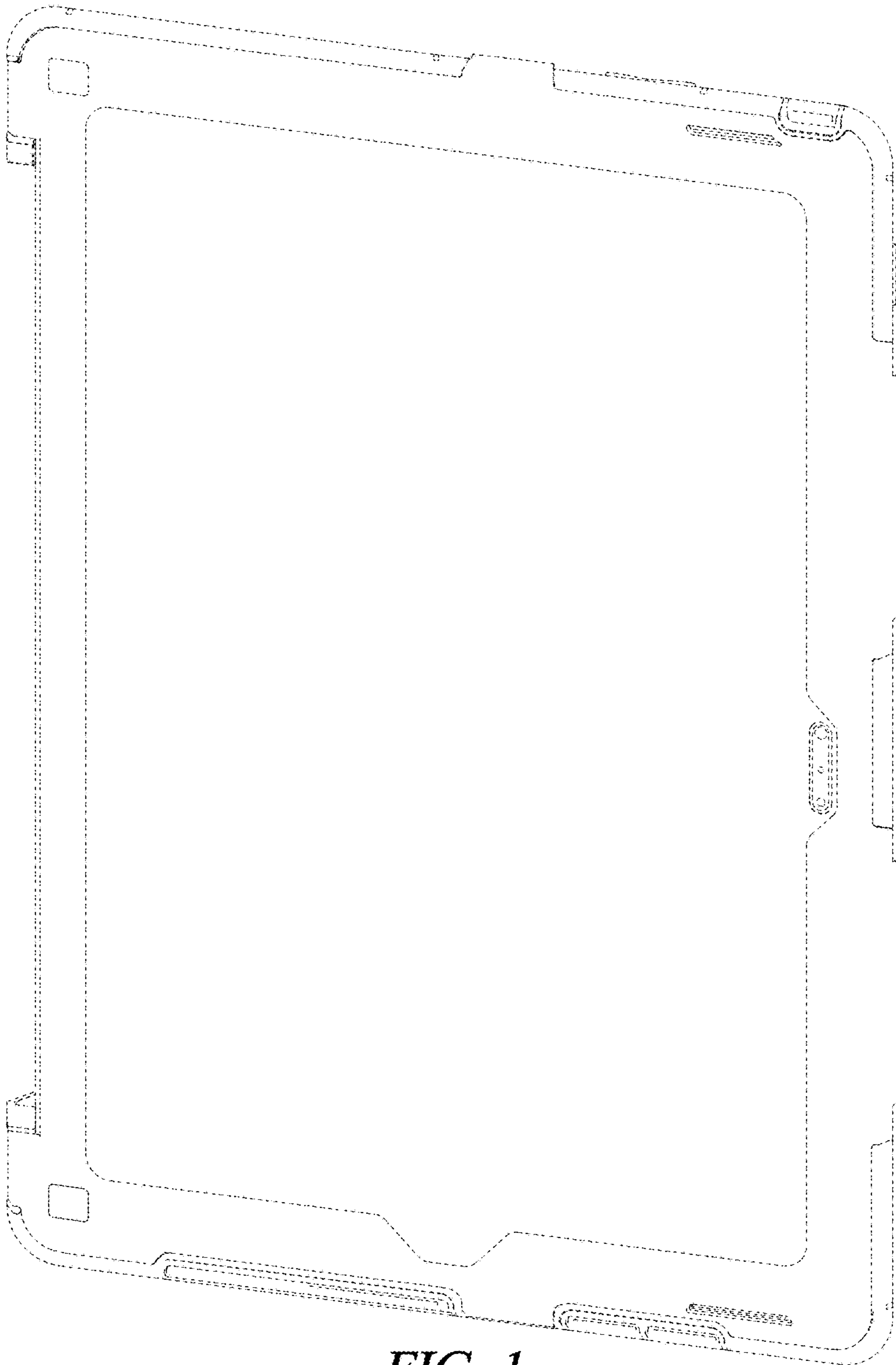
We claim the ornamental design for an electronic device case, as shown and described.

**DESCRIPTION**

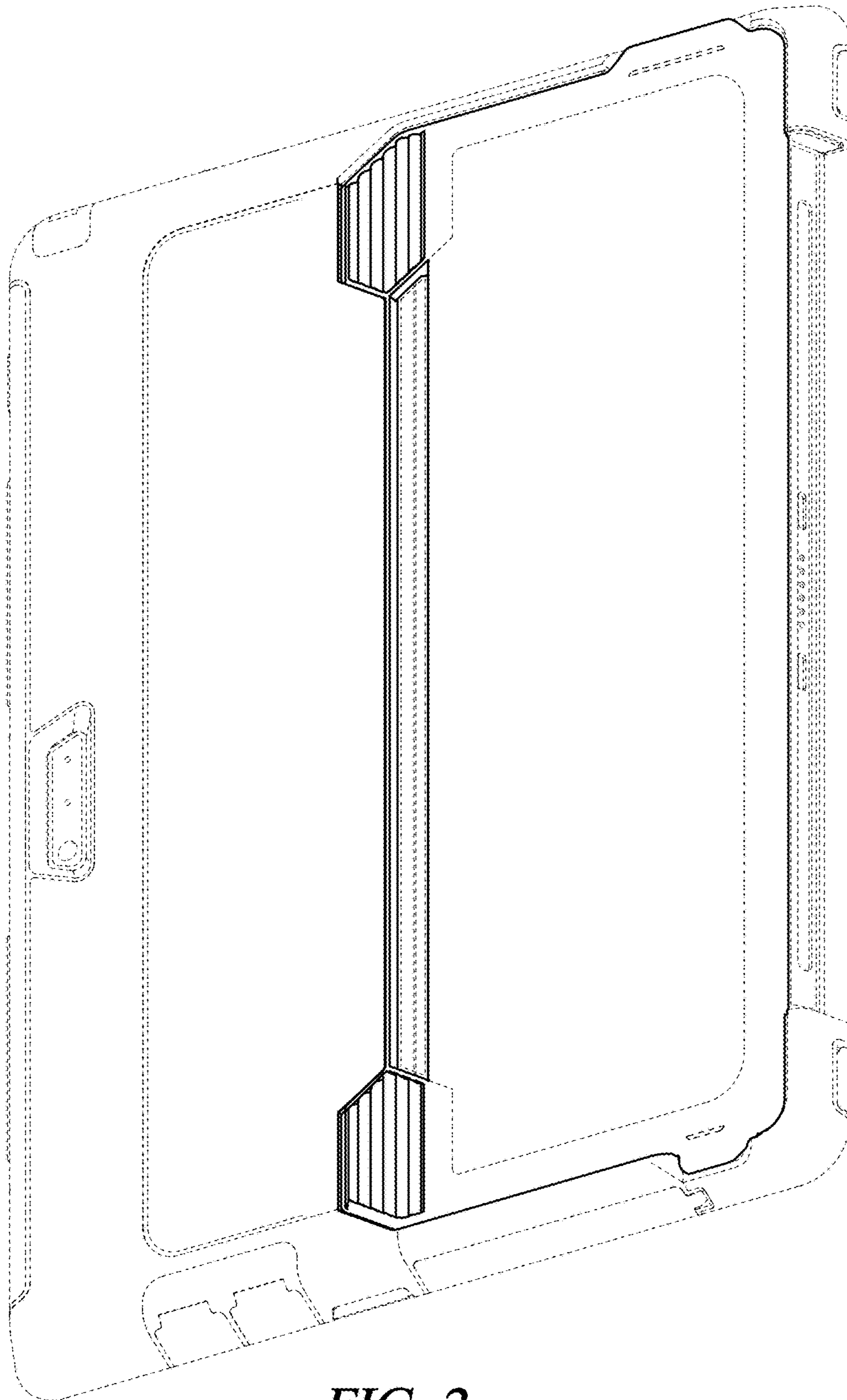
FIG. 1 is a front perspective view of an electronic device case;  
FIG. 2 is a rear perspective view thereof;  
FIG. 3 is a front view thereof;  
FIG. 4 is a rear view thereof;  
FIG. 5 is a left view thereof;  
FIG. 6 is a right view thereof;  
FIG. 7 is a top view thereof; and,  
FIG. 8 is a bottom view thereof.  
Broken lines having a dash-dash configuration depict environmental subject matter and form no part of the presently claimed design.

**1 Claim, 6 Drawing Sheets**

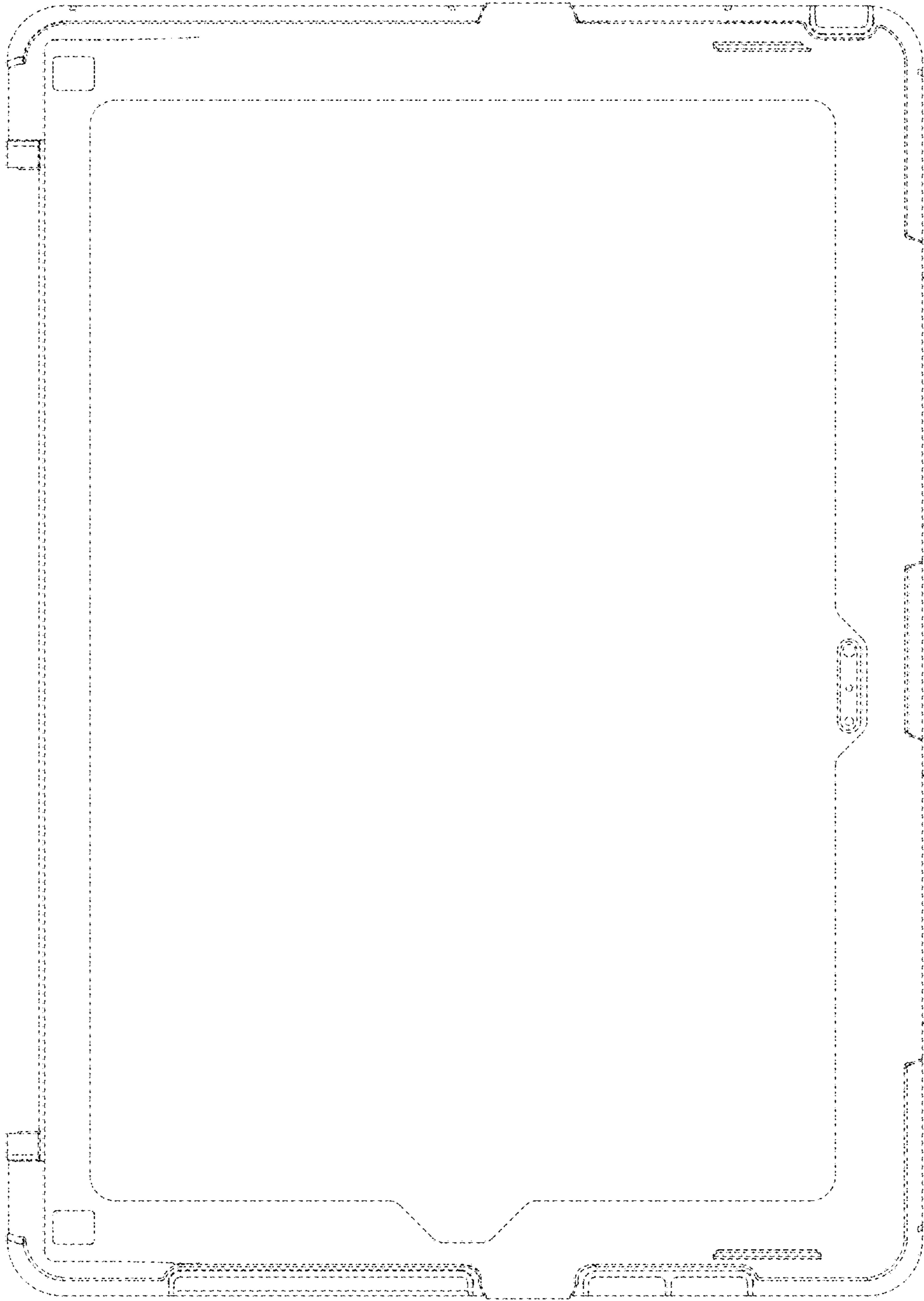




*FIG. 1*

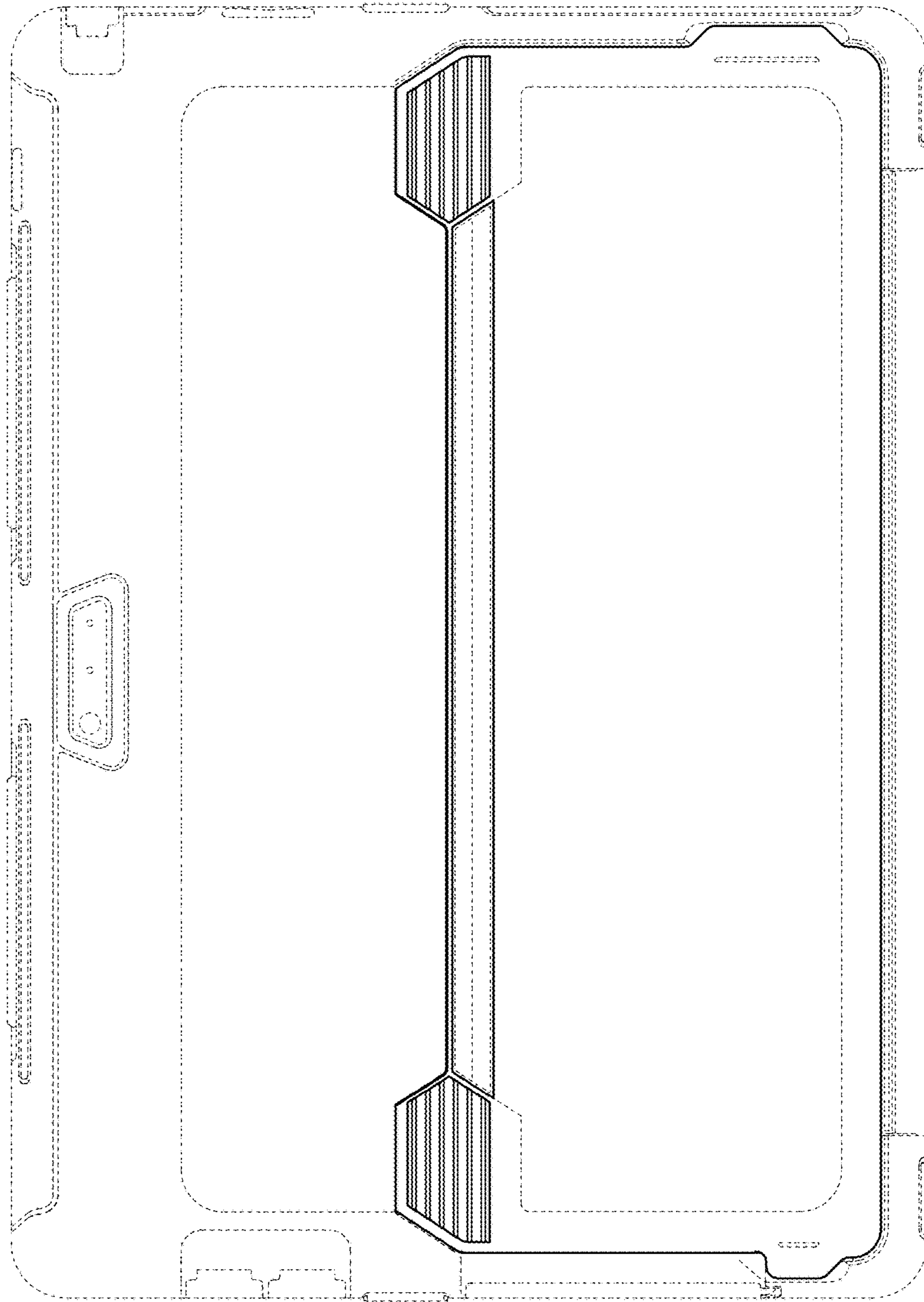


*FIG. 2*

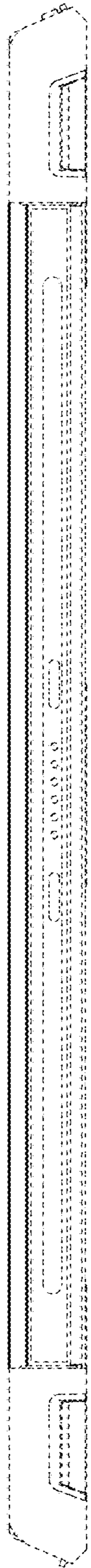


*FIG. 3*

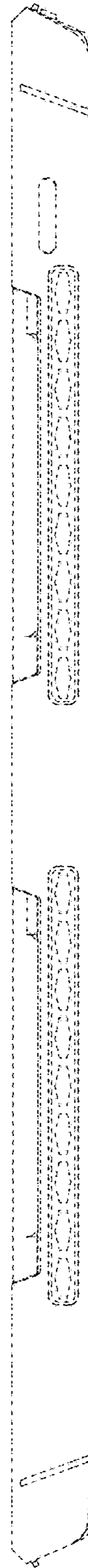




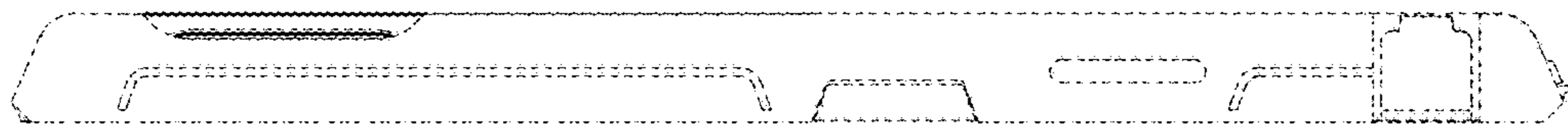
*FIG. 4*



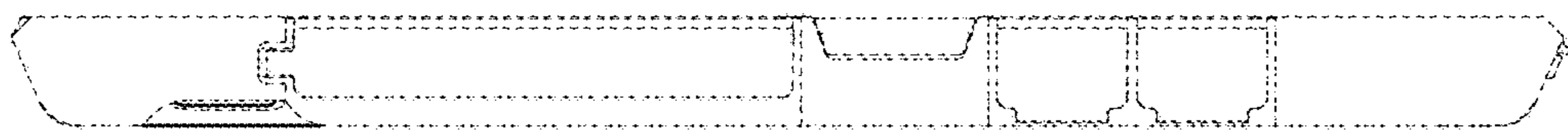
*FIG. 5*



*FIG. 6*



*FIG. 7*



*FIG. 8*