



US00D837793S

(12) **United States Design Patent** (10) **Patent No.:** **US D837,793 S**  
**Ham et al.** (45) **Date of Patent:** **\*\* Jan. 8, 2019**

(54) **TABLET COVER WITH KEYBOARD**  
(71) Applicant: **Samsung Electronics Co., Ltd.**,  
Suwon-si (KR)  
(72) Inventors: **Sunwoong Ham**, Seoul (KR); **Mingeun Kim**, Seoul (KR); **Minah Koh**, Seoul (KR)  
(73) Assignee: **SAMSUNG ELECTRONICS CO., LTD.**, Suwon-si (KR)

D723,568 S \* 3/2015 Kim ..... D14/440  
D724,090 S \* 3/2015 Kim ..... D14/440  
D727,916 S \* 4/2015 Melmon ..... D14/440  
D727,919 S \* 4/2015 Melmon ..... D14/440  
D729,253 S \* 5/2015 Nyholm ..... D14/440  
D733,152 S \* 6/2015 Sirichai ..... D14/440  
D734,340 S \* 7/2015 Kim ..... D14/440

(Continued)

**FOREIGN PATENT DOCUMENTS**

CN 303841227 S 9/2016

*Primary Examiner* — Cynthia R Underwood  
(74) *Attorney, Agent, or Firm* — McAndrews Held & Malloy, Ltd.

(\*\*) Term: **15 Years**  
(21) Appl. No.: **29/613,629**  
(22) Filed: **Aug. 11, 2017**

(30) **Foreign Application Priority Data**  
Feb. 24, 2017 (KR) ..... 30-2017-0009156

(51) **LOC (11) Cl.** ..... **14-02**  
(52) **U.S. Cl.**

USPC ..... **D14/440**

(58) **Field of Classification Search**  
USPC ..... D14/440; 206/45.23, 320, 45.2;  
361/679.55; 294/25; 224/218  
CPC ... G06F 1/1628; G06F 1/1626; A47B 23/044;  
H04B 1/3888; H05K 5/0217  
See application file for complete search history.

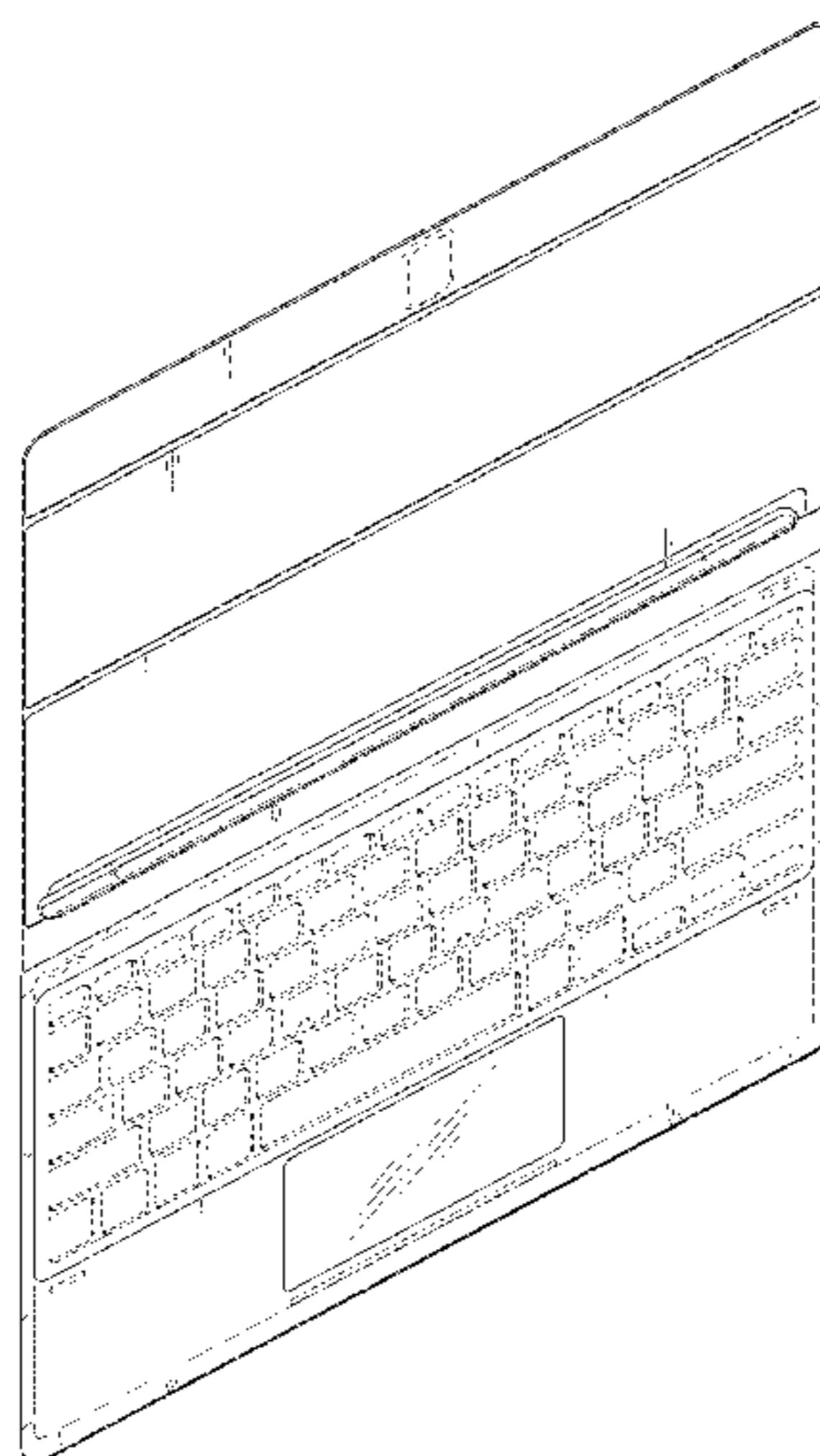
(56) **References Cited**  
U.S. PATENT DOCUMENTS

D667,831 S \* 9/2012 Stravitz ..... D14/447  
D696,256 S \* 12/2013 Piedra ..... D14/440  
D696,669 S \* 12/2013 Akana ..... D14/440  
D700,611 S \* 3/2014 Boldetti ..... D14/440  
D719,169 S \* 12/2014 McBroom ..... D14/440  
8,905,231 B2 \* 12/2014 Couch ..... A45C 11/00  
206/320  
8,960,421 B1 \* 2/2015 Diebel ..... G06F 1/1679  
206/320

(57) **CLAIM**  
The ornamental design for a tablet cover with keyboard, as shown and described.

**DESCRIPTION**  
FIG. 1 is a front perspective view of a tablet cover with keyboard showing our new design;  
FIG. 2 is a front elevation view thereof;  
FIG. 3 is a rear elevation view thereof;  
FIG. 4 is a left side elevation view thereof;  
FIG. 5 is a right side elevation view thereof;  
FIG. 6 is a top plan view thereof;  
FIG. 7 is a bottom plan view thereof;  
FIG. 8 is a rear perspective view thereof;  
FIG. 9 is a detail view of the portion encircled in FIG. 4; and,  
FIG. 10 is a detail view of the portion encircled in FIG. 4.  
The dashed broken lines in the drawings illustrate portions of the tablet cover with keyboard that form no part of the claimed design.  
The dot-dot-dash broken lines in the drawings encircle portions of the claimed design that are illustrated in enlargements and form no part of the claimed design.

**1 Claim, 9 Drawing Sheets**



(56)

References Cited

U.S. PATENT DOCUMENTS

9,095,194 B2 \* 8/2015 Hassett ..... A45C 11/00  
 D744,489 S \* 12/2015 Sirichai ..... D14/440  
 D744,492 S \* 12/2015 Lin ..... G06F 1/1632  
 D753,648 S \* 4/2016 Shyu ..... D14/315  
 9,307,062 B2 \* 4/2016 Kim ..... H04M 1/04  
 D764,472 S \* 8/2016 Corcoran ..... D14/440  
 D770,457 S 11/2016 Massucco et al.  
 D772,880 S \* 11/2016 Corcoran ..... D14/440  
 9,489,054 B1 \* 11/2016 Sumsion ..... G06F 3/0208  
 D773,470 S \* 12/2016 Akana ..... D14/440  
 D779,485 S \* 2/2017 Akana ..... D14/345  
 9,578,941 B2 \* 2/2017 MacLachlan ..... F16M 11/38  
 D789,342 S \* 6/2017 Sirichai ..... D14/250  
 D792,887 S \* 7/2017 Zhang ..... D14/440  
 9,717,314 B2 \* 8/2017 Idehara ..... A45C 11/00  
 D807,363 S \* 1/2018 Hallier ..... D14/440  
 D807,365 S \* 1/2018 Liu ..... D14/440  
 D807,892 S \* 1/2018 Wang ..... D14/440  
 D808,394 S \* 1/2018 Lakraa ..... D14/440  
 D808,395 S \* 1/2018 Fenton ..... D14/440  
 D811,390 S \* 2/2018 Kim ..... D14/345  
 D811,411 S \* 2/2018 Moore ..... D14/440  
 D819,038 S \* 5/2018 Diebel ..... D14/440  
 D820,839 S \* 6/2018 Akana ..... D14/345  
 D822,675 S \* 7/2018 Zhu ..... D14/455  
 2007/0057140 A1 \* 3/2007 Liou ..... F16M 11/10  
 2008/0029412 A1 \* 2/2008 Ho ..... A47B 21/0314  
 2008/0167095 A1 \* 7/2008 Kim ..... H04M 1/0216  
 2009/0159763 A1 \* 6/2009 Kim ..... F16M 13/00  
 2009/0178938 A1 \* 7/2009 Palmer ..... A45C 5/03

2009/0194209 A1 \* 8/2009 De Filippis ..... A45C 11/00  
 150/107  
 2009/0201254 A1 \* 8/2009 Rais ..... G06F 1/1613  
 345/168  
 2010/0294909 A1 \* 11/2010 Hauser ..... A47B 23/043  
 248/456  
 2010/0300909 A1 \* 12/2010 Hung ..... H04M 1/04  
 206/320  
 2011/0227463 A1 \* 9/2011 Hou ..... A45C 9/00  
 312/223.1  
 2011/0266194 A1 \* 11/2011 Bau ..... A45C 11/00  
 206/736  
 2011/0290687 A1 \* 12/2011 Han ..... A45C 3/02  
 206/320  
 2011/0297566 A1 \* 12/2011 Gallagher ..... F16M 11/105  
 206/320  
 2012/0140396 A1 \* 6/2012 Zelif ..... G06F 1/1628  
 361/679.09  
 2012/0194448 A1 \* 8/2012 Rothkopf ..... A45C 13/002  
 345/173  
 2013/0140194 A1 \* 6/2013 Han ..... G06F 1/1656  
 206/45.23  
 2013/0233762 A1 \* 9/2013 Balaji ..... B65D 25/00  
 206/736  
 2013/0264459 A1 \* 10/2013 McCosh ..... G06F 1/1626  
 248/688  
 2014/0291175 A1 \* 10/2014 Chung ..... G06F 1/1656  
 206/45.23  
 2015/0296060 A1 \* 10/2015 Gu ..... H04M 1/0235  
 455/575.4  
 2015/0296068 A1 \* 10/2015 Chin ..... G06F 1/1628  
 455/575.8  
 2016/0011628 A1 \* 1/2016 Sato ..... G06F 1/1656  
 361/679.3  
 2016/0187937 A1 \* 6/2016 Ahee ..... G06F 1/1681  
 361/679.09

\* cited by examiner

FIG. 1

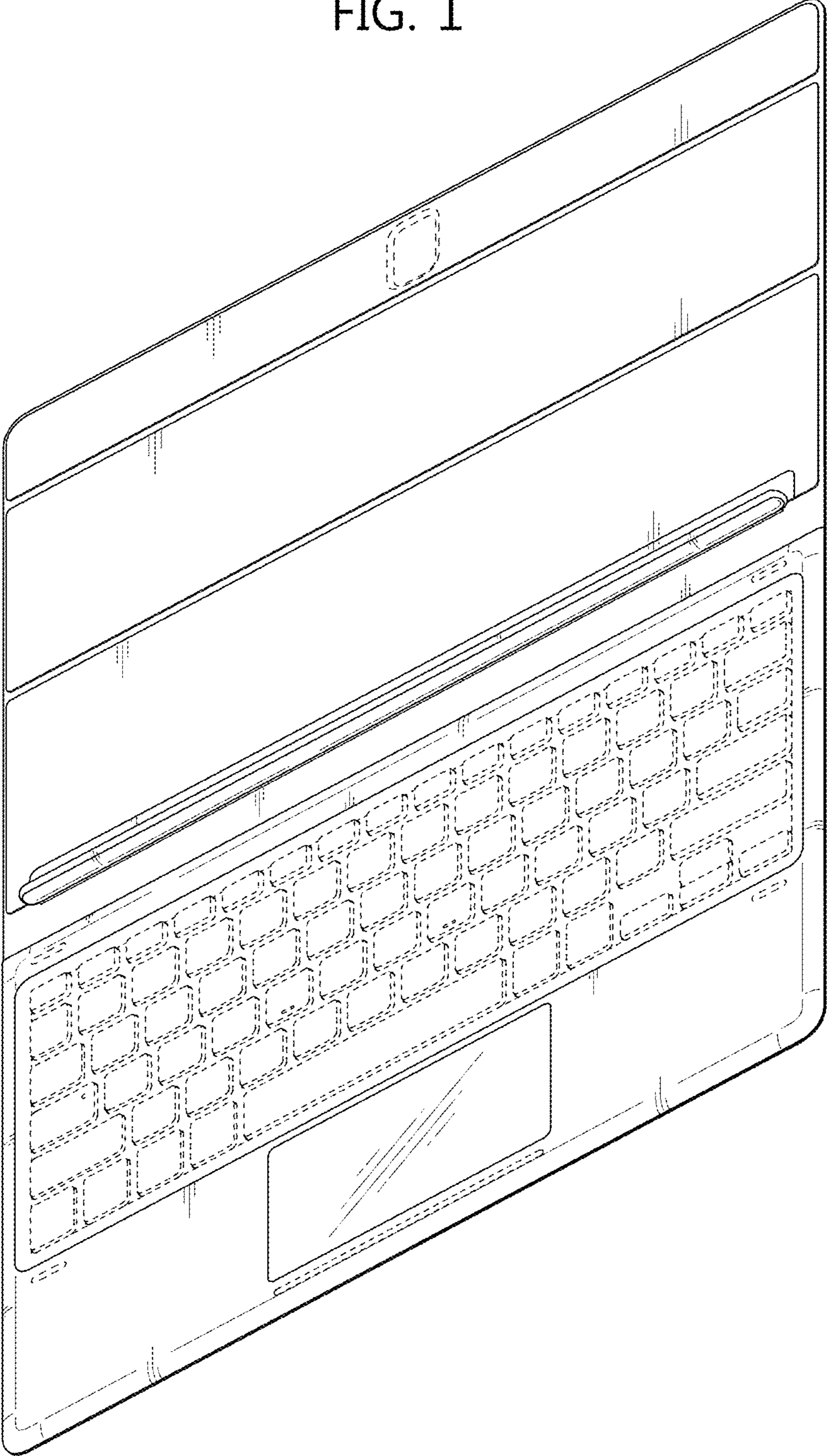


FIG. 2

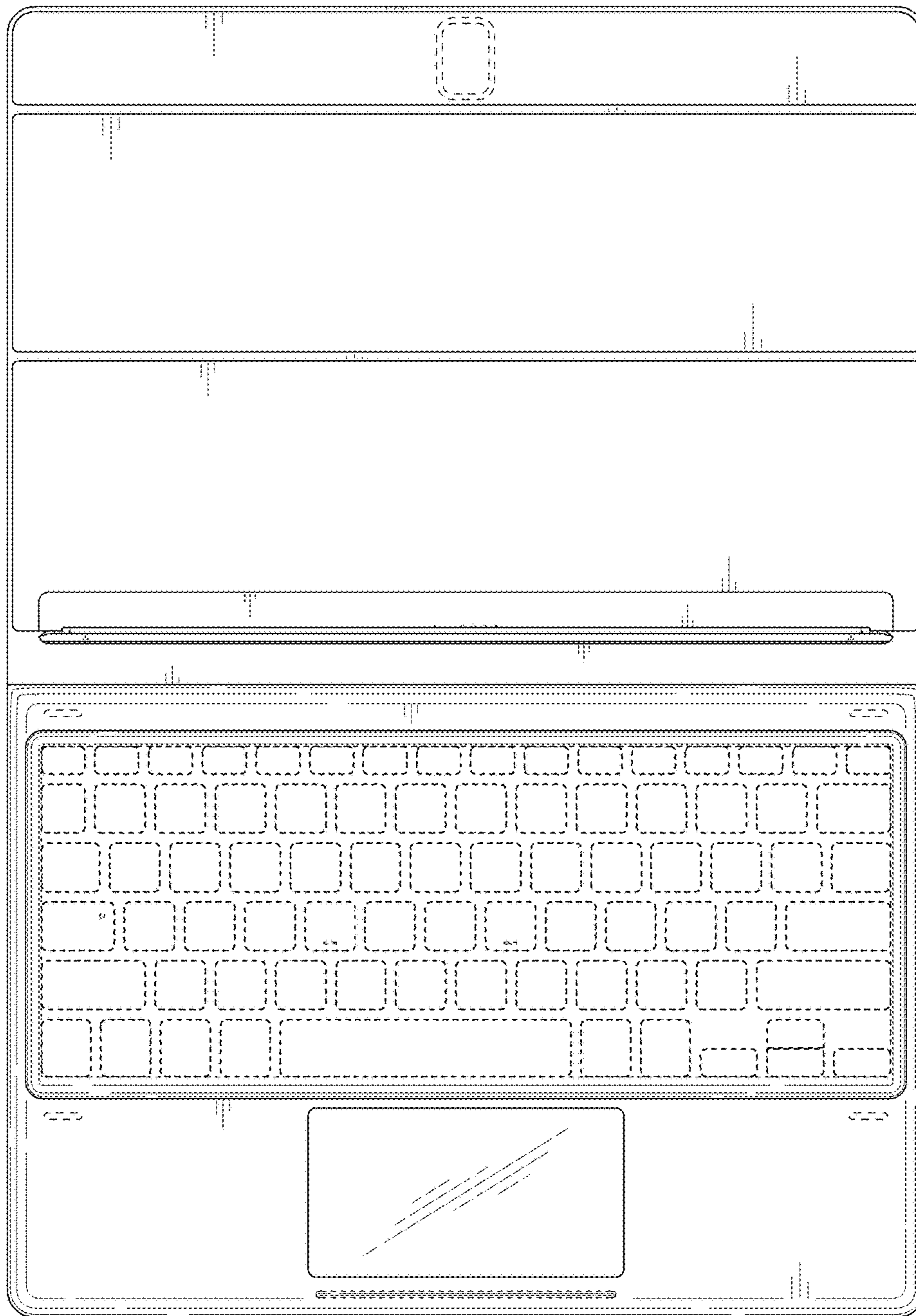


FIG. 3

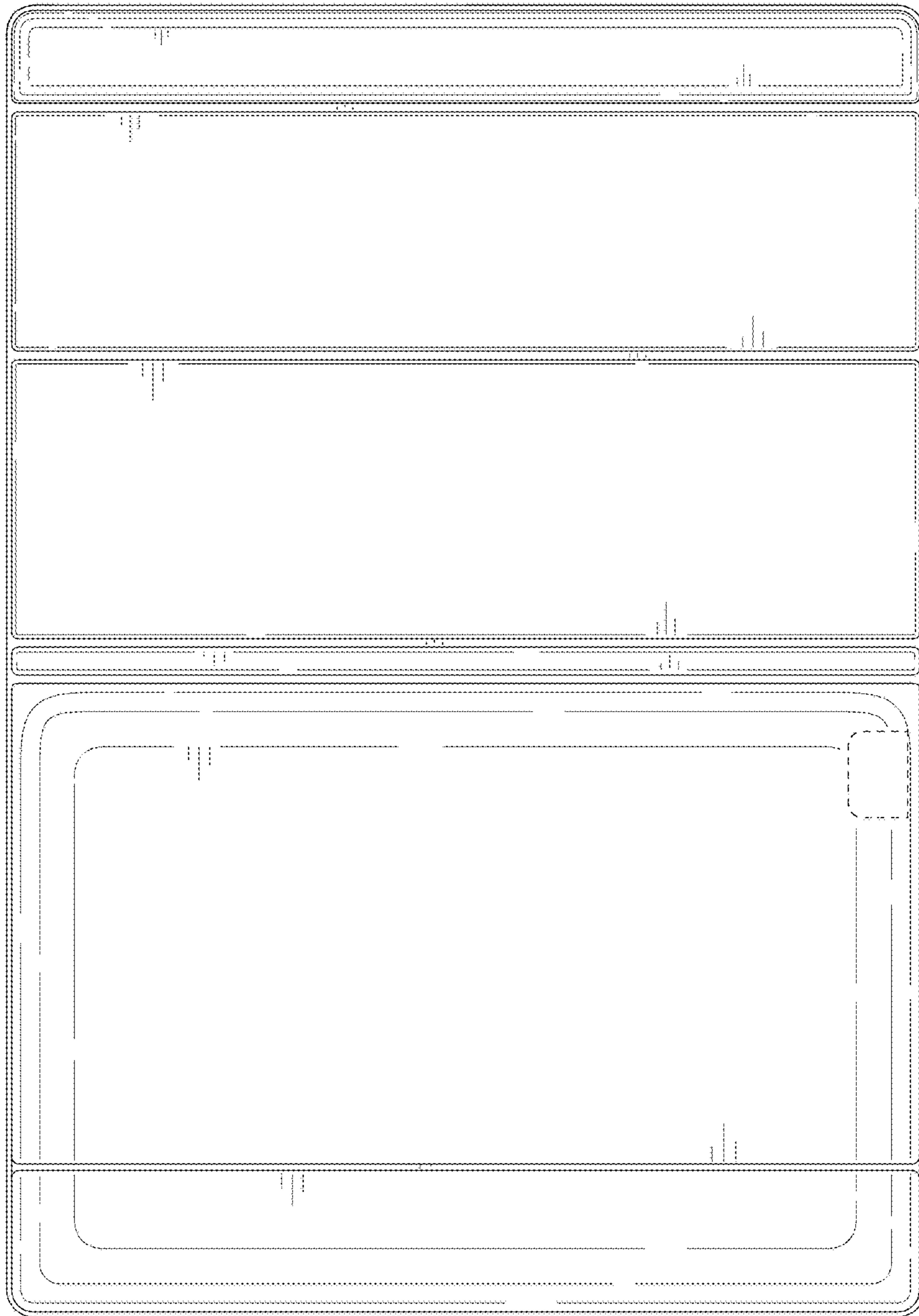


FIG. 4

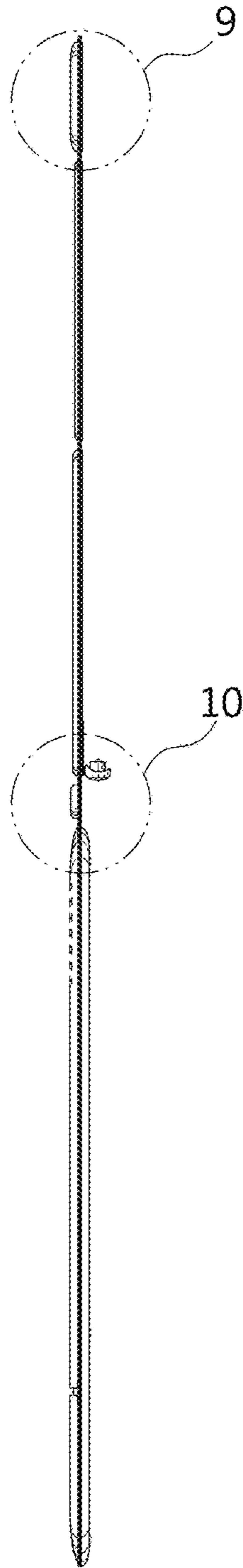


FIG. 5



FIG. 6

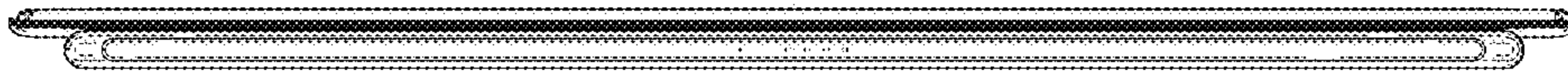


FIG. 7





FIG. 8

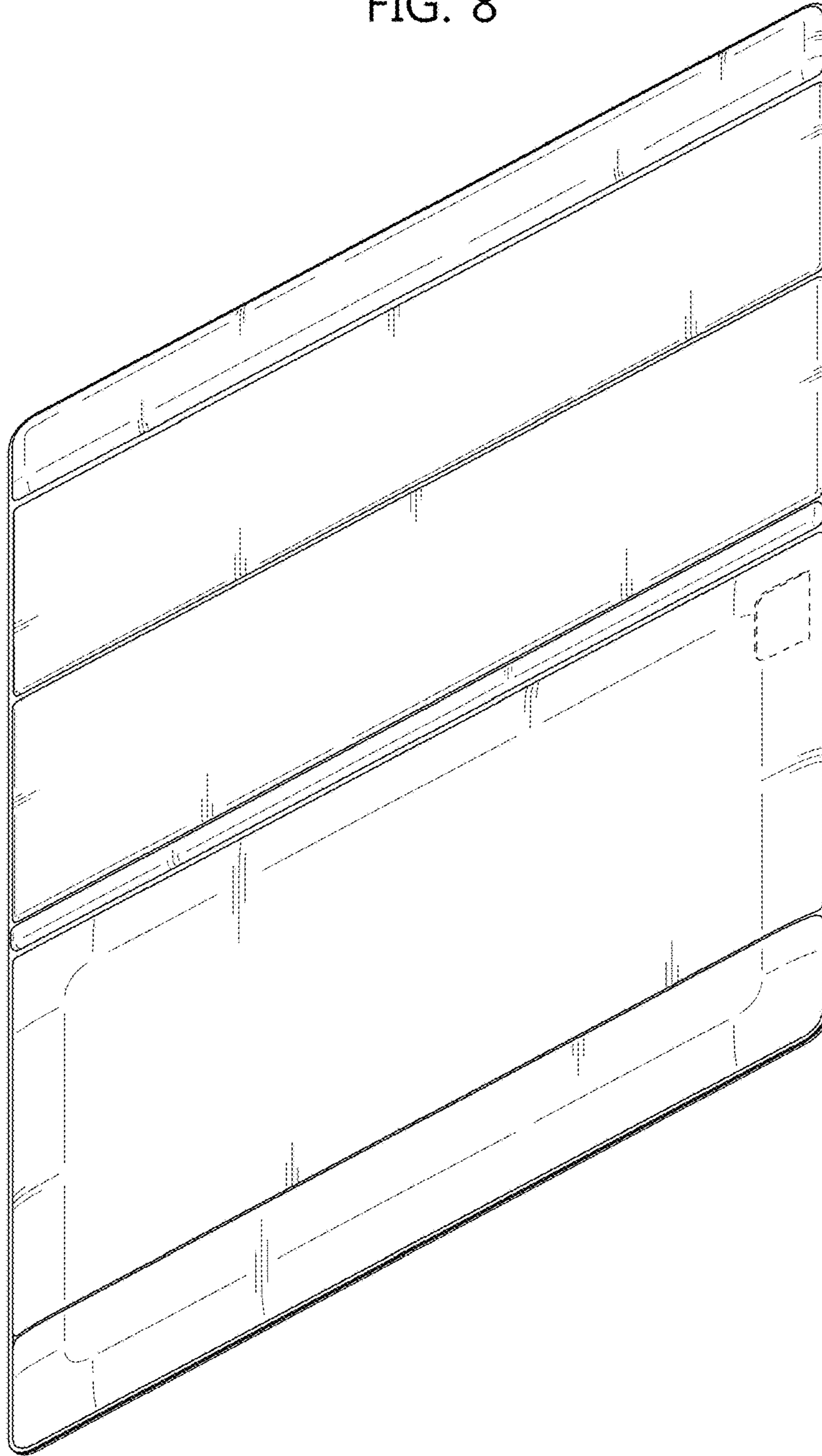


FIG. 9

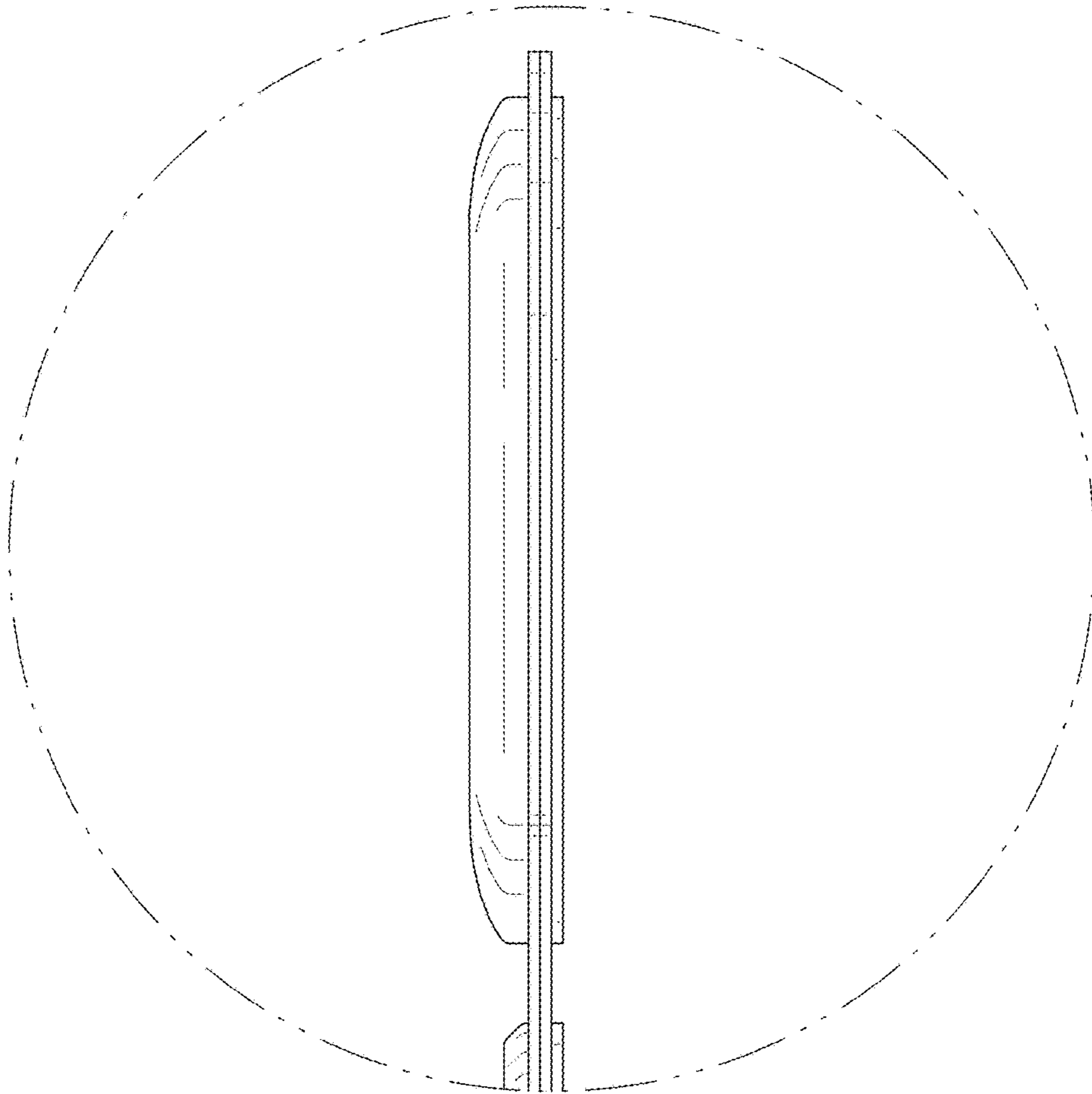


FIG. 10

