



US00D837792S

(12) **United States Design Patent**  
**Kim et al.**

(10) **Patent No.:** **US D837,792 S**  
(45) **Date of Patent:** **\*\* Jan. 8, 2019**

(54) **TABLET COVER WITH KEYBOARD**  
(71) Applicant: **Samsung Electronics Co., Ltd.**,  
Suwon-si (KR)  
(72) Inventors: **Hakdo Kim**, Seoul (KR); **Minah Koh**,  
Seoul (KR); **Dongkyun Kim**, Seoul  
(KR); **Jongbo Jung**, Seoul (KR)  
(73) Assignee: **SAMSUNG ELECTRONICS CO.,**  
**LTD.**, Suwon-si (KR)  
(\*\*) Term: **15 Years**  
(21) Appl. No.: **29/613,623**  
(22) Filed: **Aug. 11, 2017**  
(30) **Foreign Application Priority Data**  
Feb. 24, 2017 (KR) ..... 30-2017-0009155  
(51) **LOC (11) Cl.** ..... **14-02**  
(52) **U.S. Cl.**  
USPC ..... **D14/440**  
(58) **Field of Classification Search**  
USPC ..... D14/440; 206/45.23, 320, 45.2;  
361/679.55; 294/25; 224/218  
CPC ... G06F 1/1628; G06F 1/1626; A47B 23/044;  
H04B 1/3888; H05K 5/0217  
See application file for complete search history.

D723,568 S \* 3/2015 Kim ..... D14/440  
D724,090 S \* 3/2015 Kim ..... D14/440  
D727,916 S \* 4/2015 Melmon ..... D14/440  
D727,919 S \* 4/2015 Melmon ..... D14/440  
D729,253 S \* 5/2015 Nyholm ..... D14/440  
D733,152 S \* 6/2015 Sirichai ..... D14/440

(Continued)

**FOREIGN PATENT DOCUMENTS**

EM 001449219-0001 5/2016  
EM 003020221-0001 5/2016

*Primary Examiner* — Cynthia R Underwood  
(74) *Attorney, Agent, or Firm* — McAndrews Held &  
Malloy, Ltd.

(57) **CLAIM**

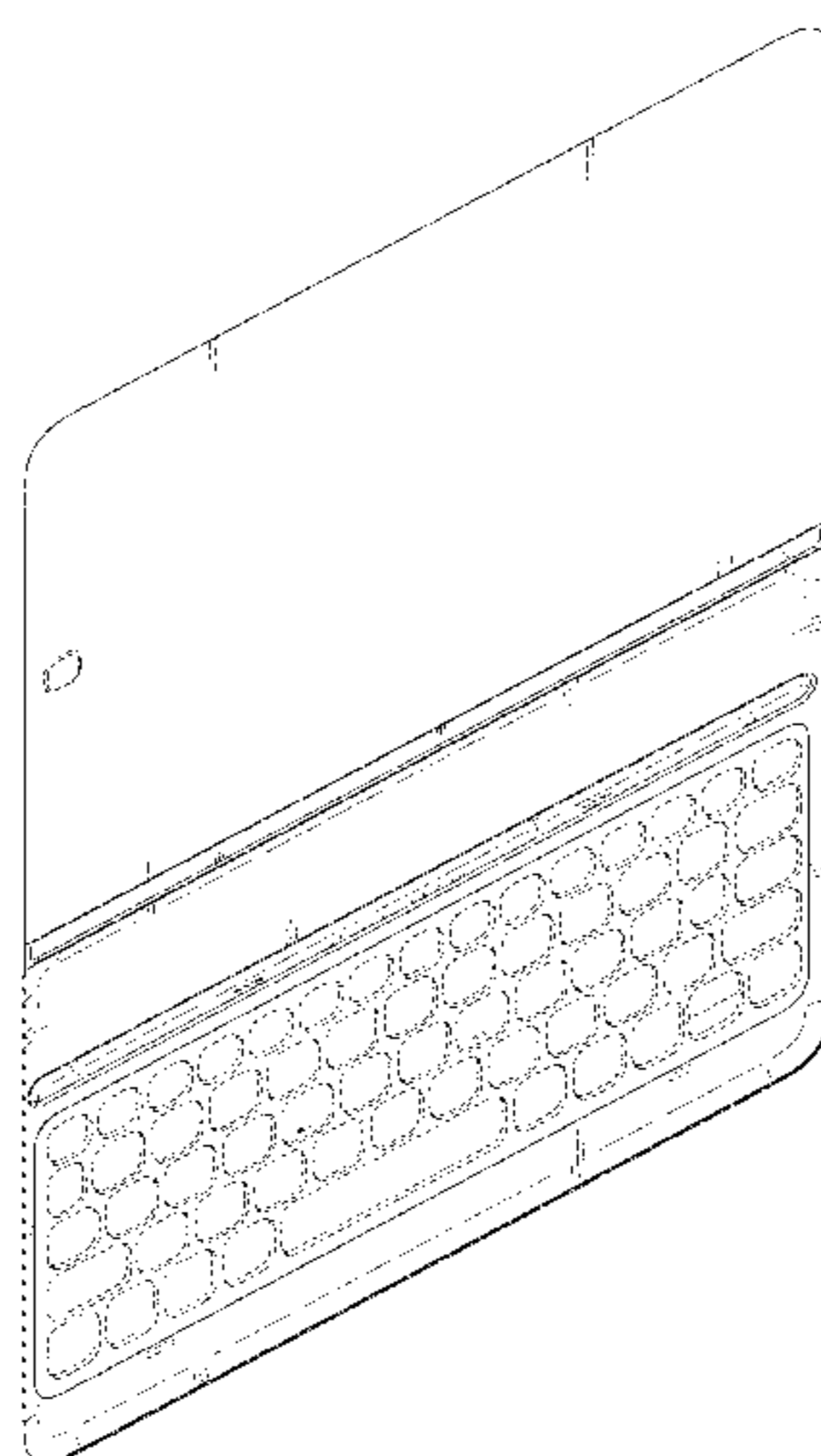
The ornamental design for a tablet cover with keyboard, as shown and described.

**DESCRIPTION**

FIG. 1 is a front perspective view of a tablet cover with keyboard showing our new design; FIG. 2 is a front elevation view thereof; FIG. 3 is a rear elevation view thereof; FIG. 4 is a left side elevation view thereof; FIG. 5 is a right side elevation view thereof; FIG. 6 is a top plan view thereof; FIG. 7 is a bottom plan view thereof; FIG. 8 is a rear perspective view thereof; FIG. 9 is a detail view of the portion encircled in FIG. 4; and, FIG. 10 is a detail view of the portion encircled in FIG. 4. The dashed broken lines in the drawings illustrate portions of the tablet cover with keyboard that form no part of the claimed design. The dot-dot-dash broken lines in the drawings encircle portions of the claimed design that are illustrated in enlargements and form no part of the claimed design.

**1 Claim, 9 Drawing Sheets**

(56) **References Cited**  
U.S. PATENT DOCUMENTS  
D667,831 S \* 9/2012 Stravitz ..... D14/447  
D696,256 S \* 12/2013 Piedra ..... D14/440  
D696,669 S \* 12/2013 Akana ..... D14/440  
D700,611 S \* 3/2014 Boldetti ..... D14/440  
D719,169 S \* 12/2014 McBroom ..... D14/440  
8,905,231 B2 \* 12/2014 Couch, III ..... A45C 11/00  
206/320  
8,960,421 B1 \* 2/2015 Diebel ..... G06F 1/1679  
206/320



(56)

References Cited

U.S. PATENT DOCUMENTS

D734,340 S *	7/2015	Kim	D14/440	2009/0178938 A1 *	7/2009	Palmer	A45C 5/03 206/45.23
9,095,194 B2 *	8/2015	Hassett	A45C 11/00	2009/0194209 A1 *	8/2009	De Filippis	A45C 11/00 150/107
D744,489 S *	12/2015	Sirichai	D14/440	2009/0201254 A1 *	8/2009	Rais	G06F 1/1613 345/168
D744,492 S *	12/2015	Lin	G06F 1/1632 D14/440	2010/0294909 A1 *	11/2010	Hauser	A47B 23/043 248/456
D753,648 S *	4/2016	Shyu	D14/315	2010/0300909 A1 *	12/2010	Hung	H04M 1/04 206/320
9,307,062 B2 *	4/2016	Kim	H04M 1/04	2011/0227463 A1 *	9/2011	Hou	A45C 9/00 312/223.1
D764,472 S *	8/2016	Corcoran	D14/440	2011/0266194 A1 *	11/2011	Bau	A45C 11/00 206/736
D770,457 S	11/2016	Massucco et al.		2011/0290687 A1 *	12/2011	Han	A45C 3/02 206/320
D772,880 S *	11/2016	Corcoran	D14/440	2011/0297566 A1 *	12/2011	Gallagher	F16M 11/105 206/320
9,489,054 B1 *	11/2016	Sumsion	G06F 3/0208	2012/0140396 A1 *	6/2012	Zeliff	G06F 1/1628 361/679.09
D773,470 S *	12/2016	Akana	D14/440	2012/0194448 A1 *	8/2012	Rothkopf	A45C 13/002 345/173
D779,485 S *	2/2017	Akana	D14/345	2013/0140194 A1 *	6/2013	Han	G06F 1/1656 206/45.23
9,578,941 B2 *	2/2017	MacLachlan	F16M 11/38	2013/0233762 A1 *	9/2013	Balaji	B65D 25/00 206/736
D789,342 S *	6/2017	Sirichai	D14/250	2013/0264459 A1 *	10/2013	McCosh	G06F 1/1626 248/688
D792,887 S *	7/2017	Zhang	D14/440	2014/0291175 A1 *	10/2014	Chung	G06F 1/1656 206/45.23
9,717,314 B2 *	8/2017	Idehara	A45C 11/00	2015/0296060 A1 *	10/2015	Gu	H04M 1/0235 455/575.4
D807,363 S *	1/2018	Hallier	D14/440	2015/0296068 A1 *	10/2015	Chin	G06F 1/1628 455/575.8
D807,365 S *	1/2018	Liu	D14/440	2016/0011628 A1 *	1/2016	Sato	G06F 1/1656 361/679.3
D807,892 S *	1/2018	Wang	D14/440	2016/0187937 A1 *	6/2016	Ahee	G06F 1/1681 361/679.09
D808,394 S *	1/2018	Lakraa	D14/440				
D808,395 S *	1/2018	Fenton	D14/440				
D811,390 S *	2/2018	Kim	D14/345				
D811,411 S *	2/2018	Moore	D14/440				
D819,038 S *	5/2018	Diebel	D14/440				
D820,839 S *	6/2018	Akana	D14/345				
D822,675 S *	7/2018	Zhu	D14/455				
2007/0057140 A1 *	3/2007	Liou	F16M 11/10 248/456				
2008/0029412 A1 *	2/2008	Ho	A47B 21/0314 206/320				
2008/0167095 A1 *	7/2008	Kim	H04M 1/0216 455/575.3				
2009/0159763 A1 *	6/2009	Kim	F16M 13/00 248/174				

\* cited by examiner

FIG. 1

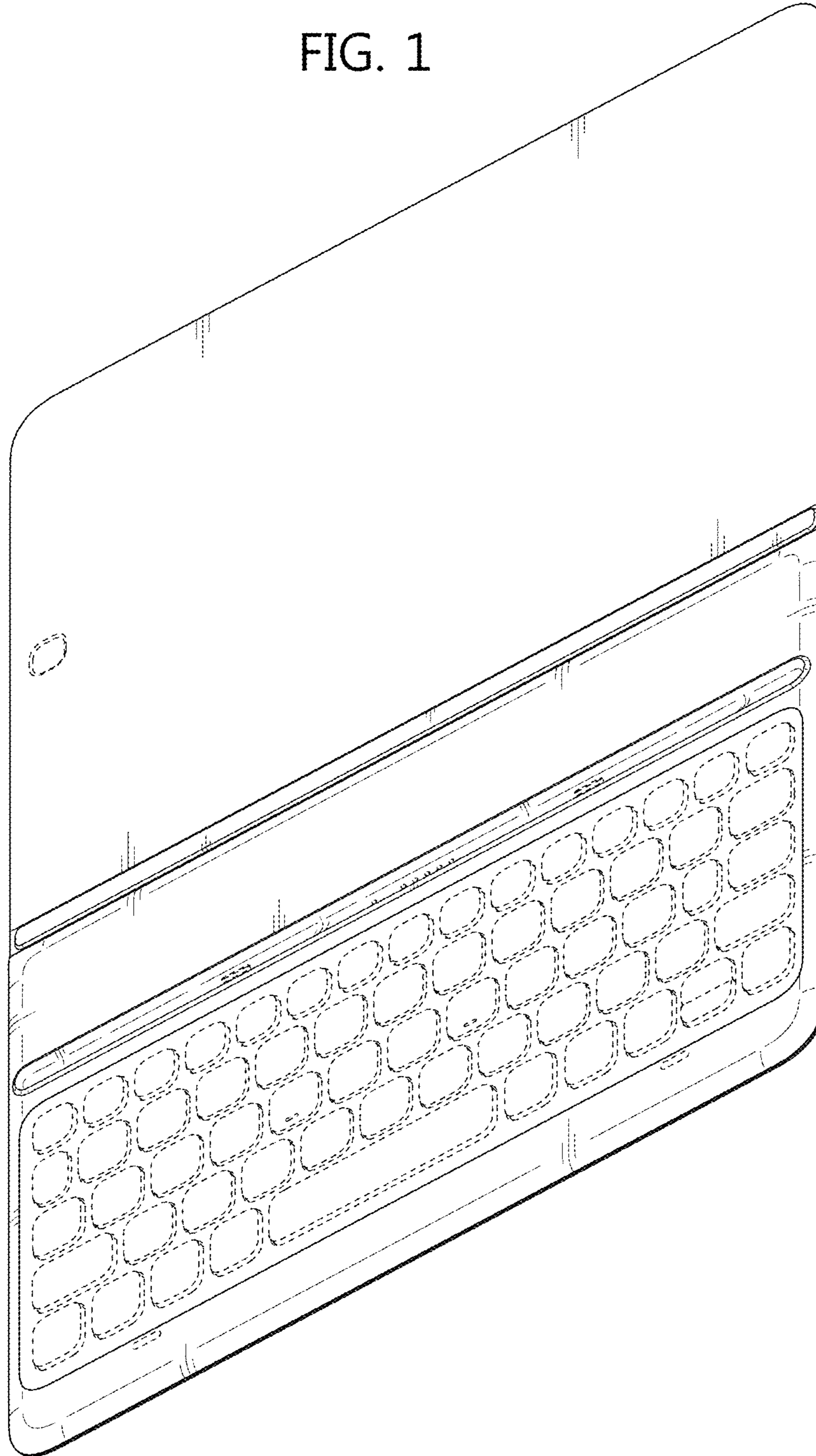




FIG. 2

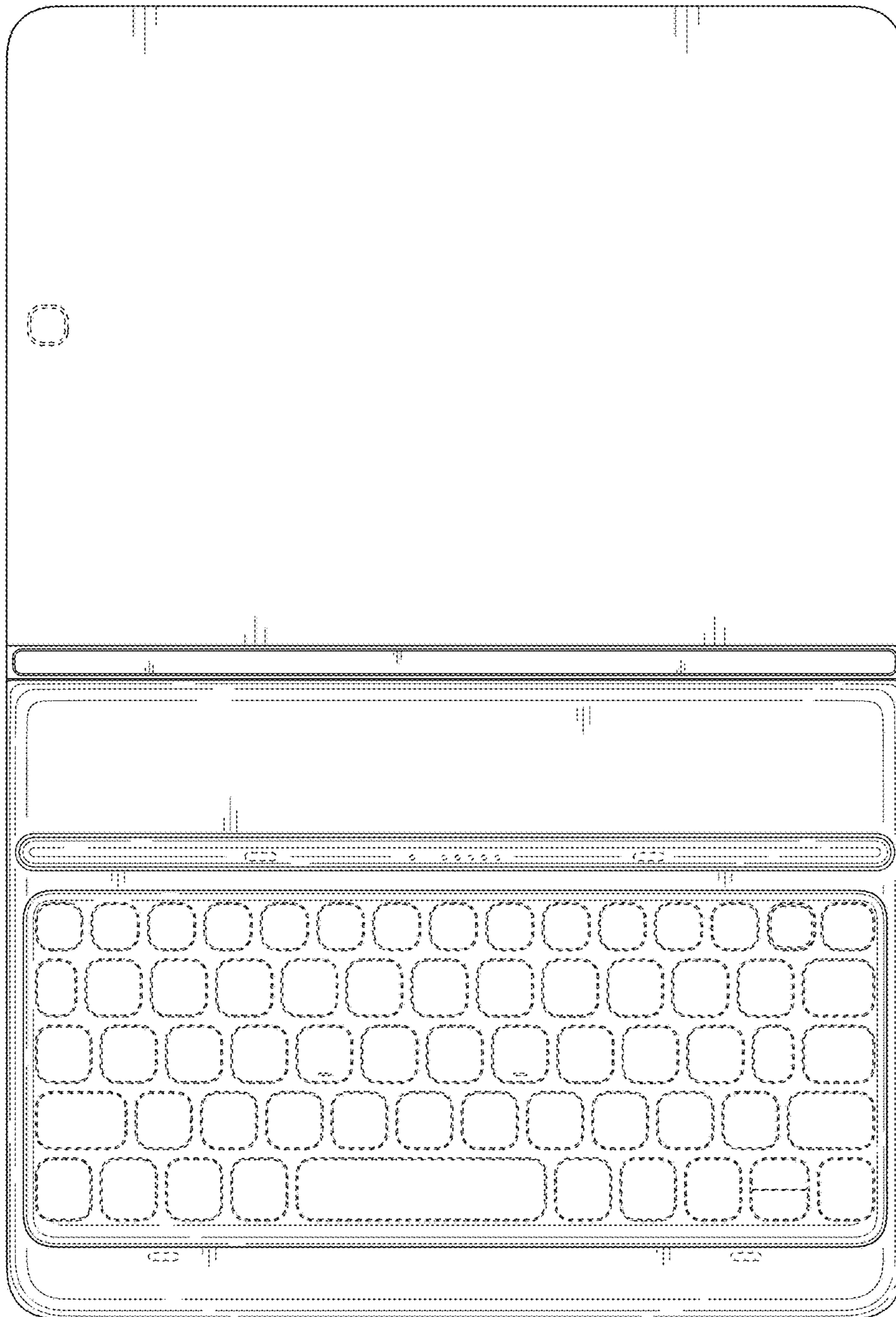


FIG. 3

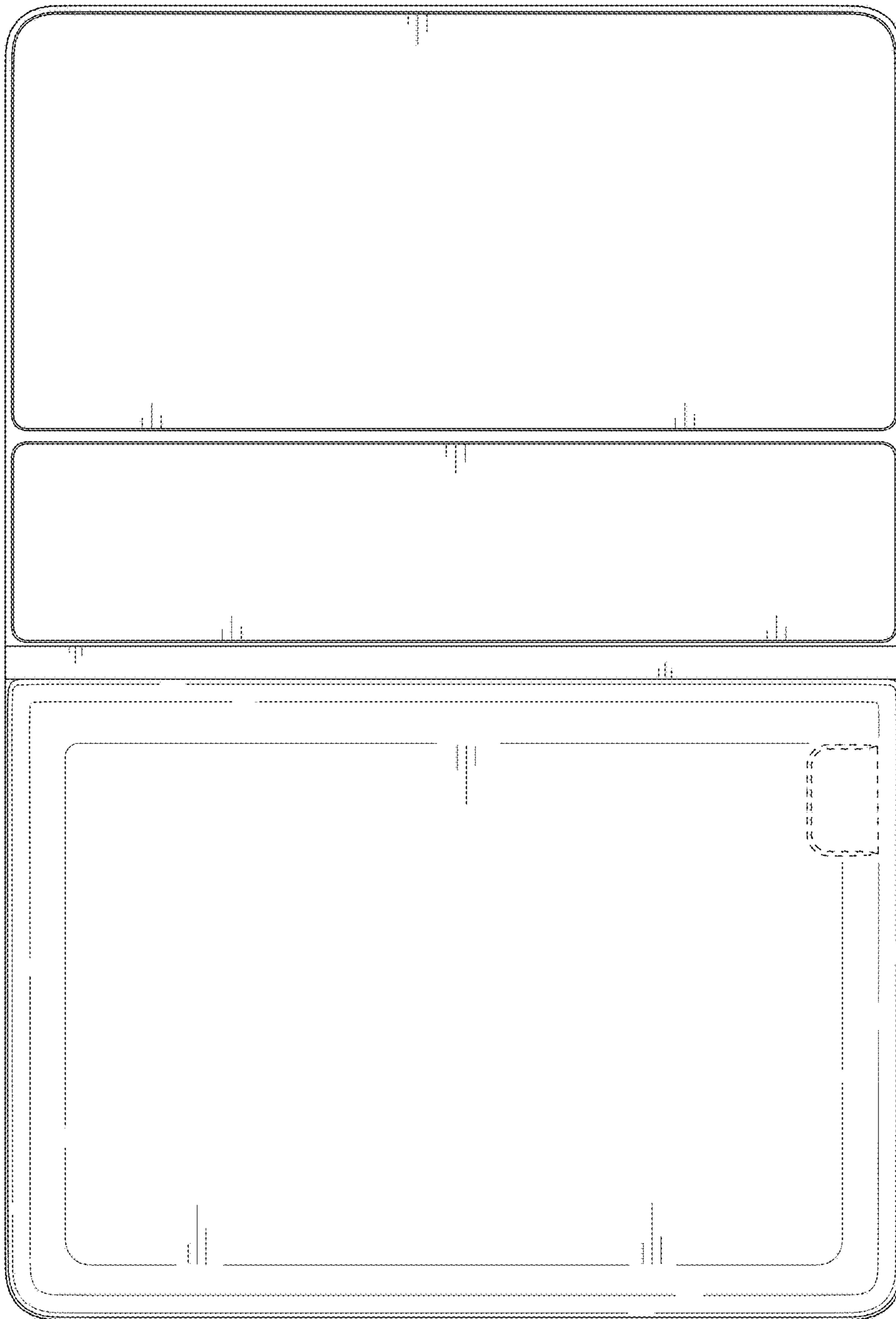


FIG. 4

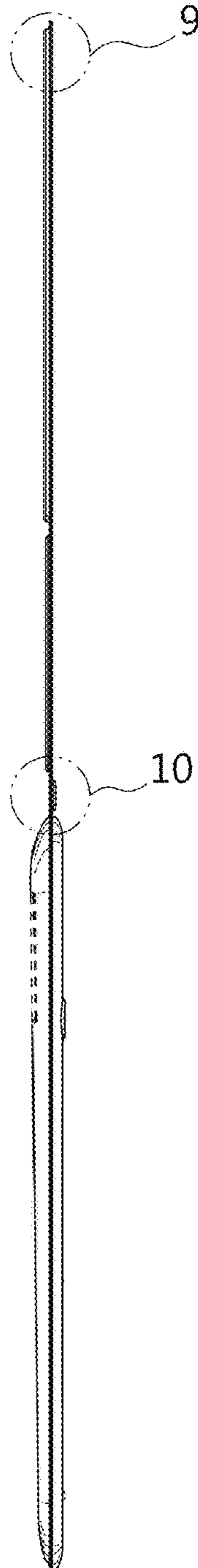


FIG. 5



FIG. 6



FIG. 7

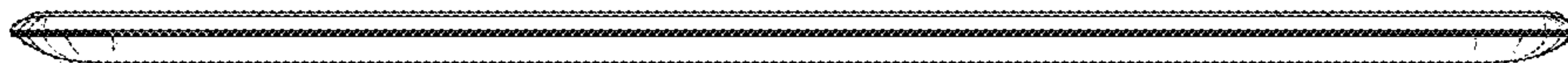




FIG. 8

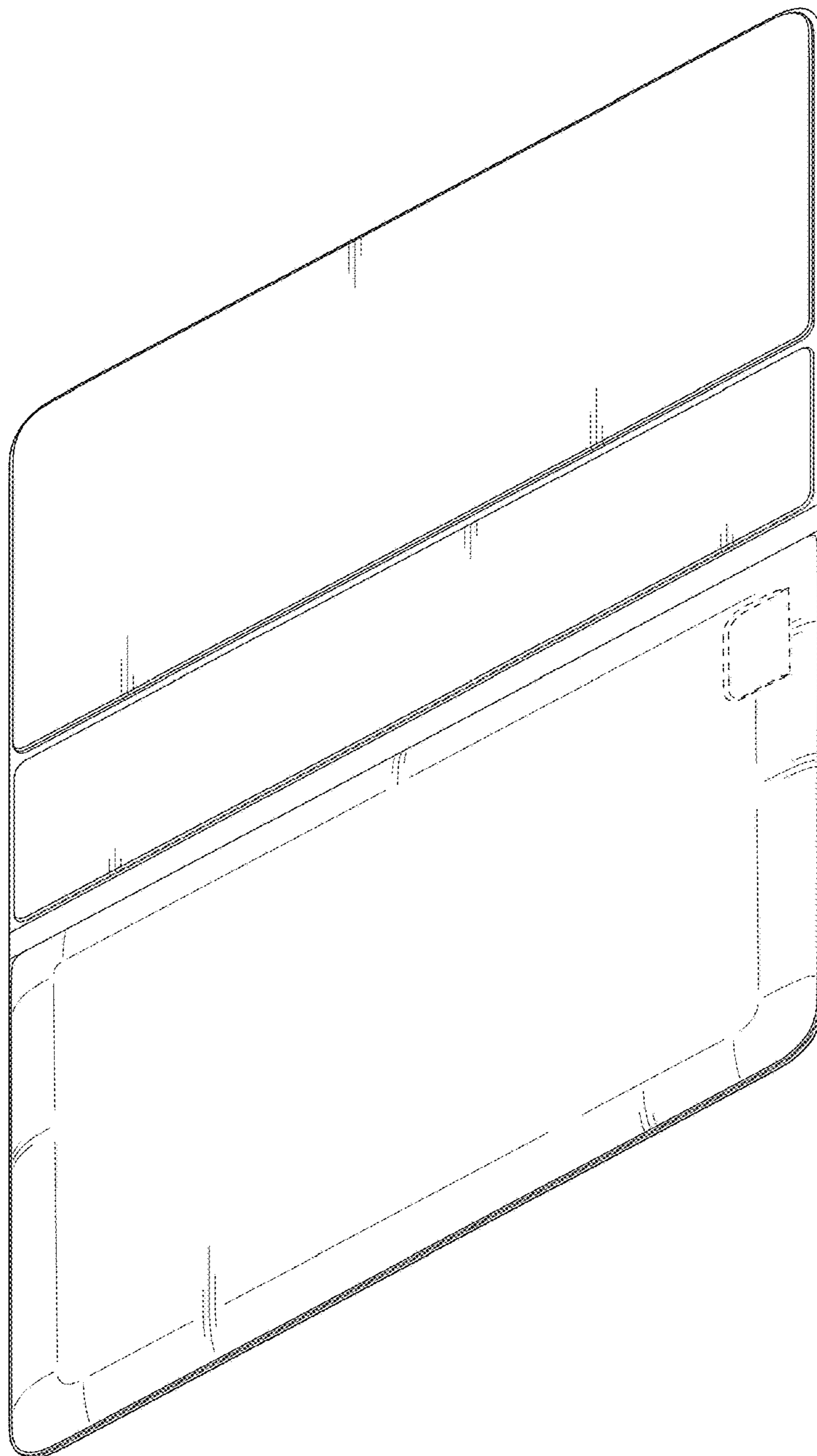


FIG. 9

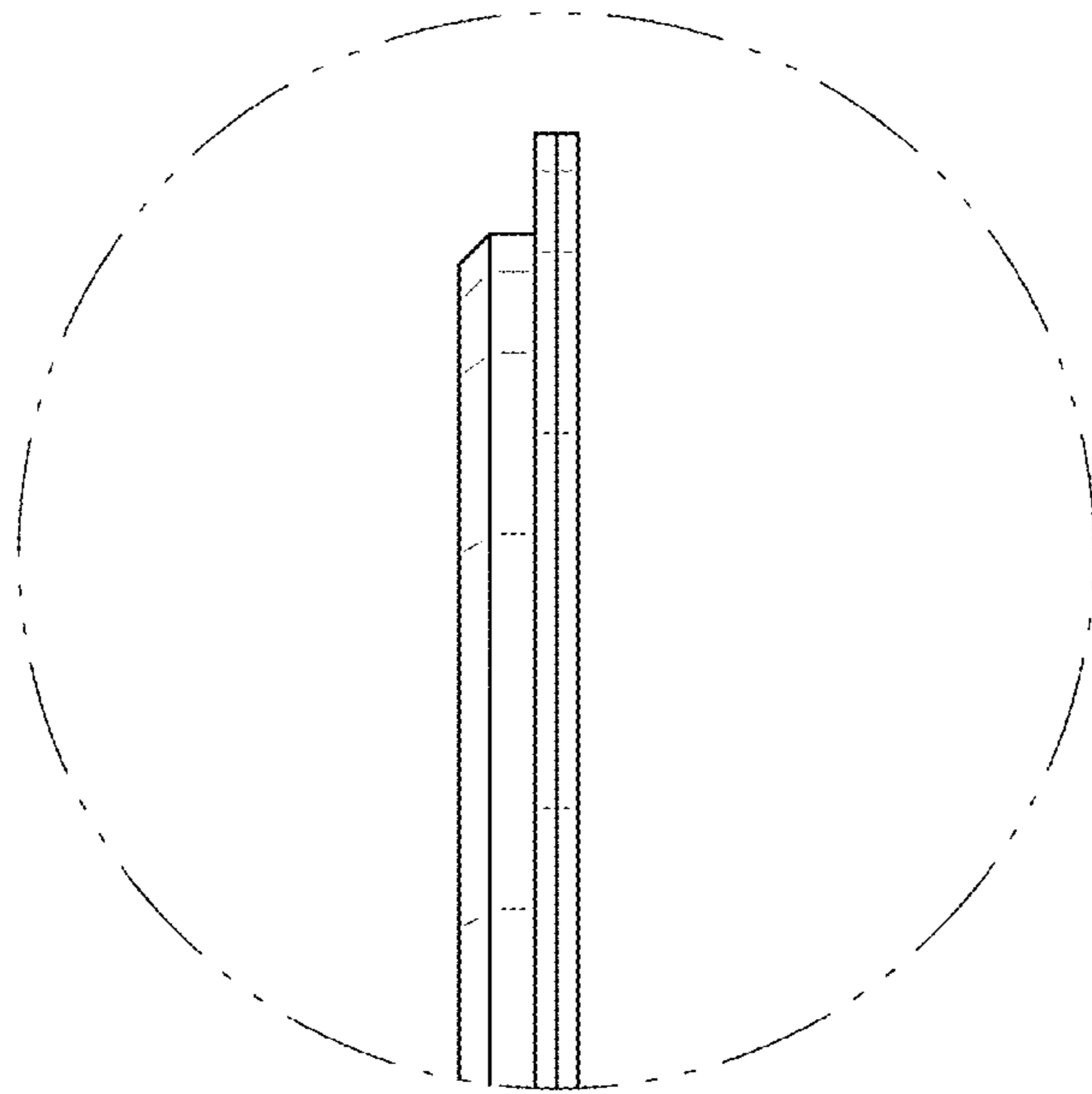


FIG. 10

